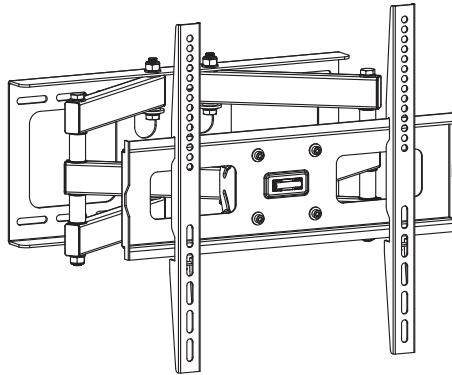


## Full-Motion Flat-Screen Wall Mount

Model:  
DWM2655M



**CAUTION: DO NOT EXCEED MAXIMUM LISTED WEIGHT CAPACITY. SERIOUS INJURY OR PROPERTY DAMAGE MAY OCCUR!**



200x200/300x300/  
400x200/400x400



Este manual está disponible en español en la página de Eaton:  
[Tripplite.Eaton.com/support](http://Tripplite.Eaton.com/support)

Ce manuel est disponible en français sur le site Web de Eaton :  
[Tripplite.Eaton.com/support](http://Tripplite.Eaton.com/support)

Русскоязычная версия настоящего руководства представлена на веб-сайте  
компании Eaton по адресу: [Tripplite.Eaton.com/support](http://Tripplite.Eaton.com/support)

Dieses Handbuch ist in deutscher Sprache auf der Eaton-Website verfügbar:  
[Tripplite.Eaton.com/support](http://Tripplite.Eaton.com/support)

# EATON

Powering Business Worldwide

## PRODUCT REGISTRATION

Register your product today for a  
chance to win an ISOBAR® surge  
protector in our monthly drawing!

[Tripplite.Eaton.com/warranty](http://Tripplite.Eaton.com/warranty)



**NOTE:** Read the entire instruction manual before you start installation and assembly.

## **WARNING**

- Do not begin the installation until you have read and understood the instructions and warnings contained in this manual. If you have any questions regarding any of the instructions or warnings, please visit [Tripplite.Eaton.com/support](http://Tripplite.Eaton.com/support).
- This mounting bracket was designed to be installed and used **ONLY** as specified in this manual. Improper installation of this product may cause damage or serious injury.
- This product should only be installed by someone of good mechanical ability, with basic building experience and a full understanding of this instruction manual.
- Make sure the mounting surface can safely support the combined load of the equipment and all attached hardware and components.
- If mounting to wood wall studs, make sure mounting screws are anchored into the center of the studs. The use of a stud finder is highly recommended.
- Always use an assistant or mechanical lifting equipment to safely lift and position equipment.
- Tighten screws firmly, but do not overtighten. Overtightening can damage the items, greatly reducing their holding power.
- This product is intended for indoor use only. Using this product outdoors could lead to product failure and personal injury.

## **Warranty and Product Registration**

### **5-Year Limited Warranty**

We warrant our products to be free from defects in materials and workmanship for a period of five (5) years from the date of initial purchase. Our obligation under this warranty is limited to repairing or replacing (at its sole option) any such defective products. Visit [Tripplite.Eaton.com/support/product-returns](http://Tripplite.Eaton.com/support/product-returns) before sending any equipment back for repair. This warranty does not apply to equipment which has been damaged by accident, negligence or misapplication or has been altered or modified in any way.

EXCEPT AS PROVIDED HEREIN, WE MAKE NO WARRANTIES, EXPRESS OR IMPLIED, INCLUDING WARRANTIES OF MERCHANTABILITY AND FITNESS FOR A PARTICULAR PURPOSE. Some states do not permit limitation or exclusion of implied warranties; therefore, the aforesaid limitation(s) or exclusion(s) may not apply to the purchaser.

EXCEPT AS PROVIDED ABOVE, IN NO EVENT WILL EATON BE LIABLE FOR DIRECT, INDIRECT, SPECIAL, INCIDENTAL OR CONSEQUENTIAL DAMAGES ARISING OUT OF THE USE OF THIS PRODUCT, EVEN IF ADVISED OF THE POSSIBILITY OF SUCH DAMAGE. Specifically, we are not liable for any costs, such as lost profits or revenue, loss of equipment, loss of use of equipment, loss of software, loss of data, costs of substitutes, claims by third parties, or otherwise.

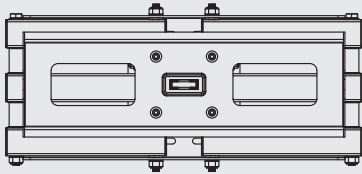
### **PRODUCT REGISTRATION**

Visit [Tripplite.Eaton.com/warranty](http://Tripplite.Eaton.com/warranty) today to register your new product. You'll be automatically entered into a drawing for a chance to win a FREE Eaton Tripp Lite series product!\*

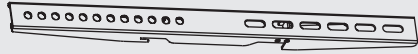
\* No purchase necessary. Void where prohibited. Some restrictions apply. See website for details.

# Component Checklist

**IMPORTANT:** Ensure you have received all parts according to the component checklist prior to installing. If any parts are missing or faulty, visit [Triplite.Eaton.com/support](http://Triplite.Eaton.com/support) for service.



(x1)



(x2)

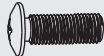


10 mm (x2)

## Package M



M5X14 (x4)



M6X14 (x4)



M8X50 (x4)



M6X30 (x4)



M8X30 (x4)



Washer (x4)



Small Spacer (x8)

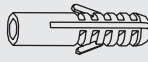


Big Spacer (x8)

## Package W



Anchor Bolt (x6)

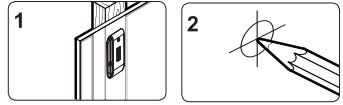
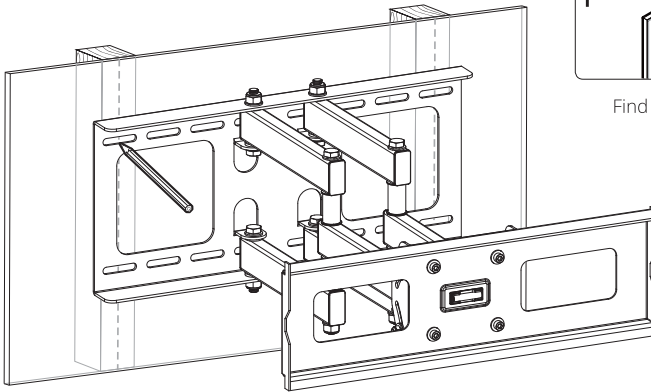
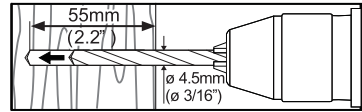
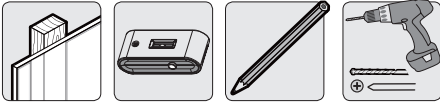


Concrete Anchor  
(x6)

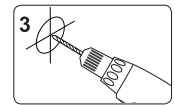


D6 Washer (x6)

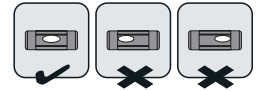
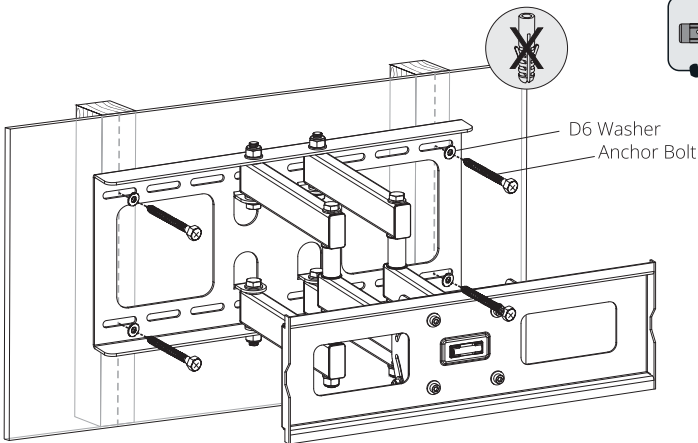
## 1a. Mount on Wood Stud Wall



Find and mark the exact location of mounting holes



Drill pilot holes

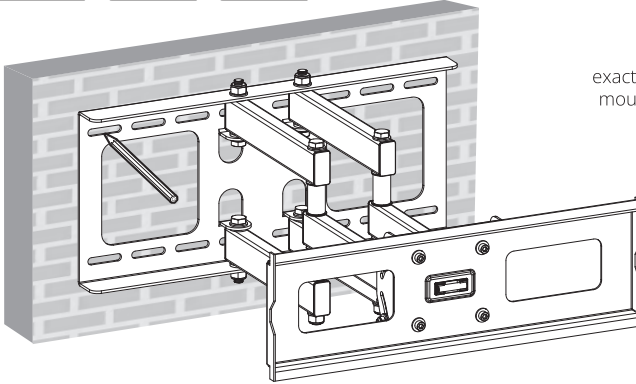
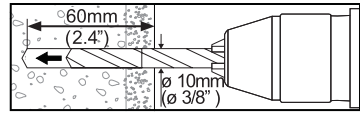


Screw the wall mount onto the wall

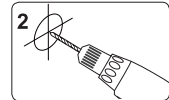
### **WARNING**

- Make sure mounting screws are anchored into the center of the studs. Use of a stud finder is highly recommended.
- Installers are responsible to provide hardware for other types of mounting situations.
- Installers must verify that the supporting surface will safely support the combined load of the equipment and all attached hardware and components.

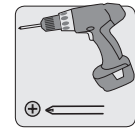
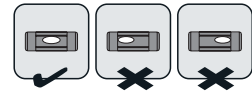
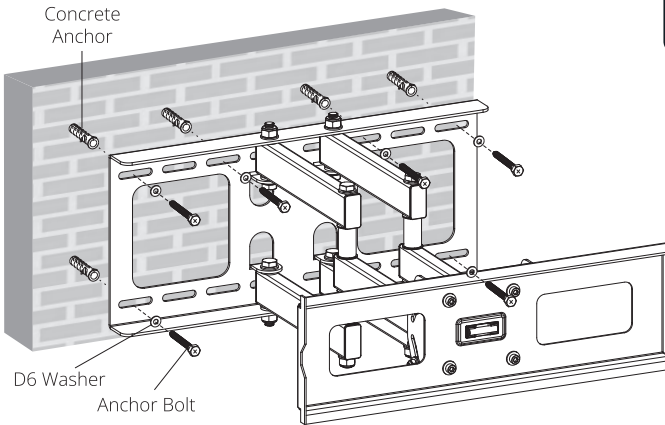
## 1b. Mount on Solid Brick and Concrete Block



Mark the exact location of mounting holes



Drill pilot holes



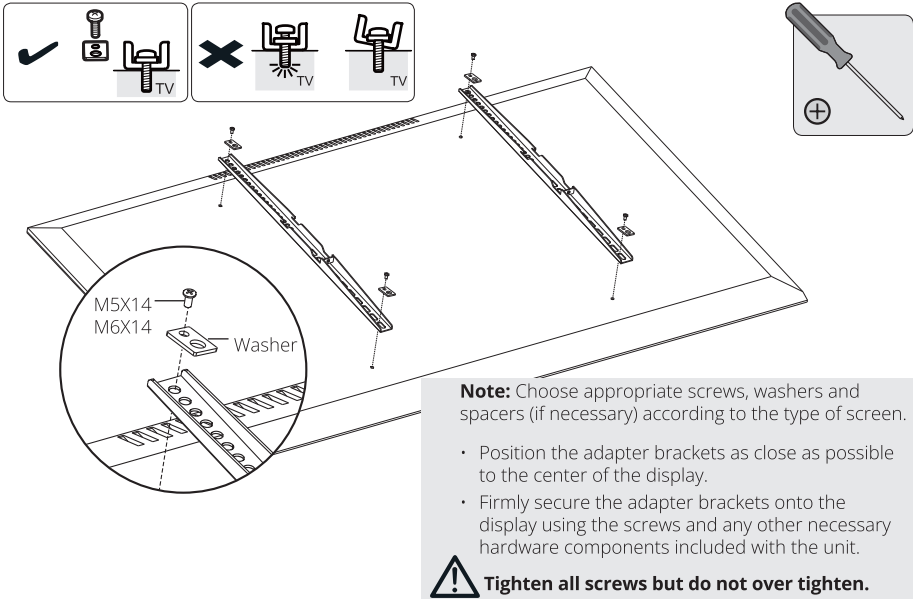
Screw the wall mount onto the wall

### **WARNING**

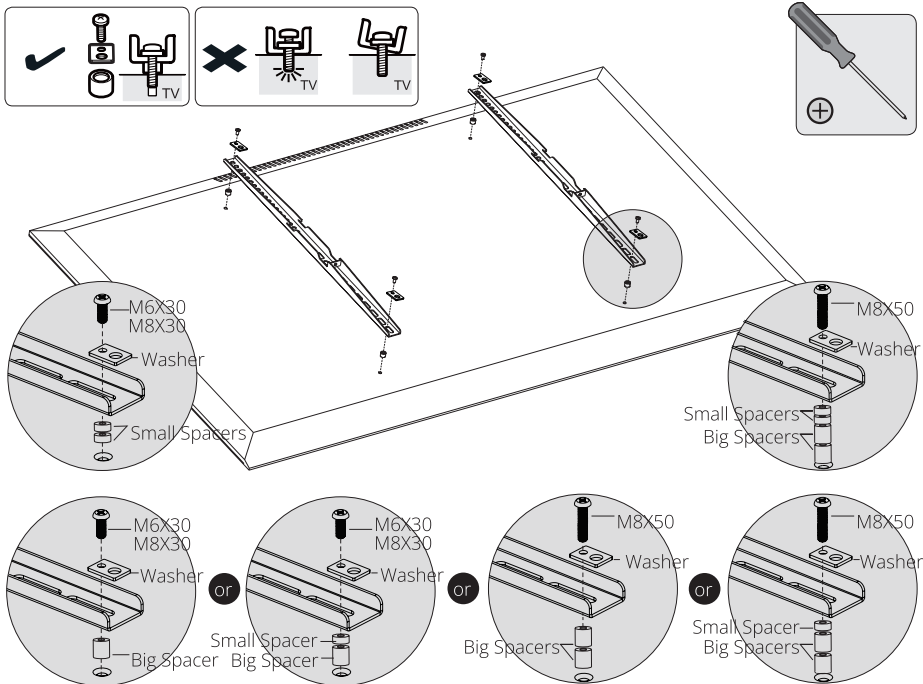
- When installing wall mounts onto a concrete masonry unit (also known as a CMU or "cinder block"), verify that the actual concrete thickness is at least 35mm (1-3/8") in order to hold the concrete anchors. DO NOT DRILL INTO MORTAR JOINTS! Be sure to mount the assembled wall-mount plate with the included concrete anchors, D6 washers and anchor bolts onto solid sections of the blocks. The solid sections can generally be found 25mm (1") toward the middle of the block from either end. An electric drill on a slow setting is suggested to drill the hole rather than a hammer drill so as to avoid breaking out the back of the hole when entering a hollow section.
- Installers must verify that the supporting surface will safely support the combined load of the equipment and all attached hardware and components.

## 2. Installing the Adapter Brackets

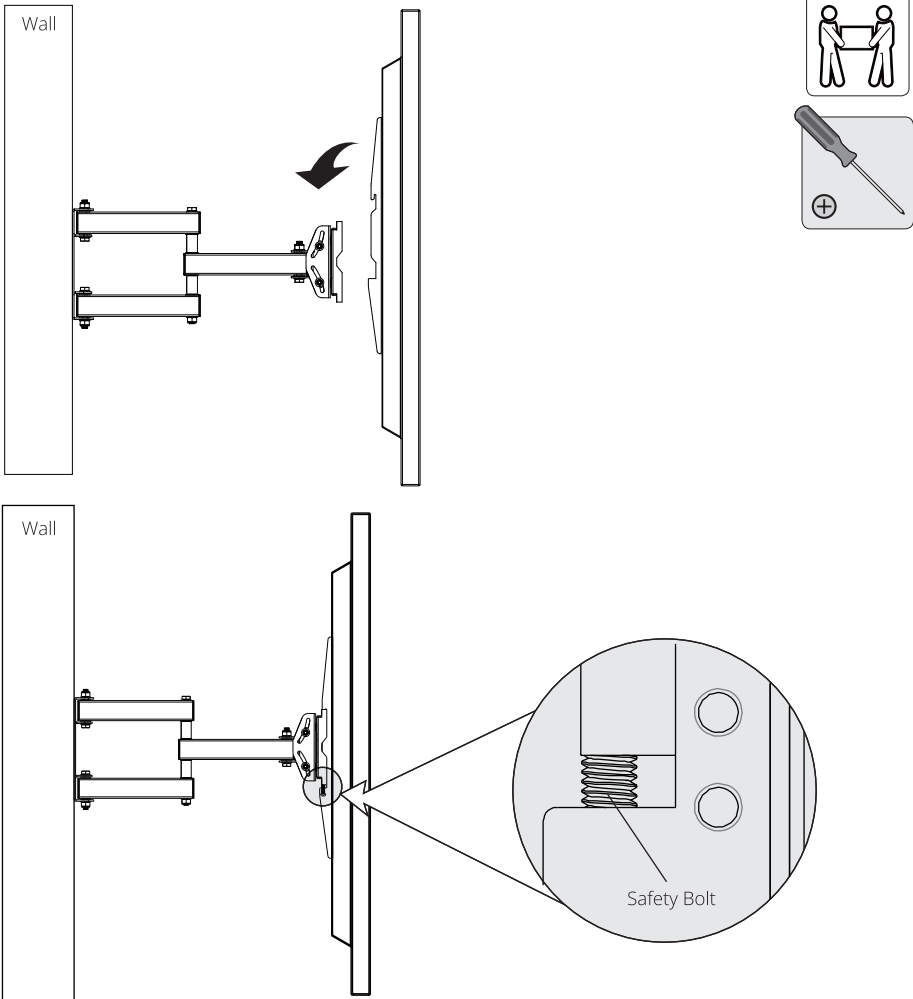
### 2-1 For Flat Back Screen



### 2-2 For Recessed Back Screen or to Access A/V Inputs

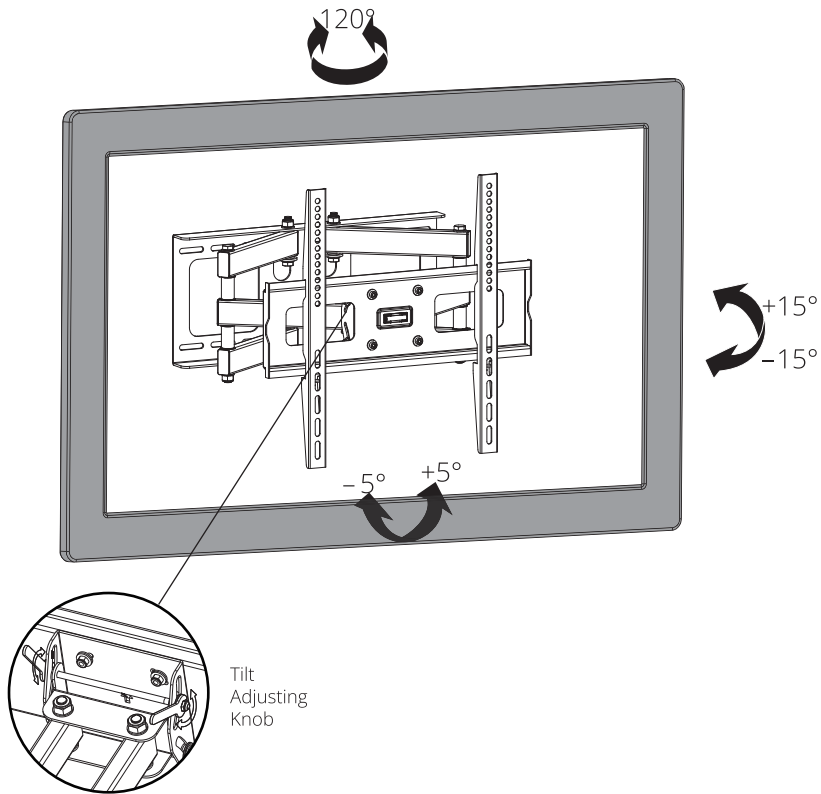


### 3. Hang Display onto the Wall Plate



Using an assistant or mechanical lifting equipment, hook the display with attached adapter brackets over the top of the wall mount's arm assembly plate. Tighten the safety bolts on the bottom of the adapter brackets to secure the unit.

## 4. Adjustment



To adjust the tilt angle, loosen the Tilt Adjusting Knobs located behind the wall mount arm assembly plate. Once the display is at the desired position, retighten the knobs to hold.

### Maintenance

- Check that the bracket is secure and safe to use at regular intervals (at least every three months).
- Please visit [Tripplite.Eaton.com/support](https://www.tripplite.com/support) if you have any questions.

**EATON**  
Powering Business Worldwide

Eaton  
1000 Eaton Boulevard  
Cleveland, OH 44122  
United States  
Eaton.com

© 2024 Eaton  
All Rights Reserved  
Publication No. 23-06-316 / 93-3354\_Rev C  
March 2024

Eaton is a registered trademark.

All trademarks are property of their respective owners.