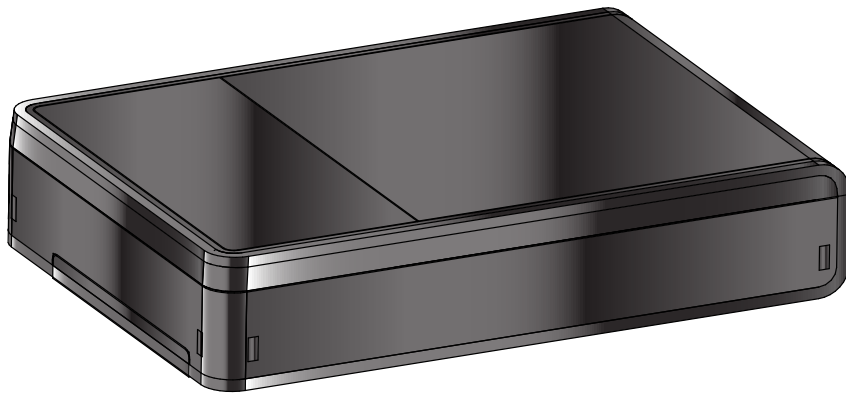


Tripp Lite Series Standby UPS Systems

Advanced User's Guide



BC350R (AG-075C)
BC600R (AG-075D)
BC850R (AG-075E)

Safety Instructions

SAVE THESE INSTRUCTIONS.

This manual contains important instructions **that should be followed during installation and maintenance of the UPS and batteries.**

FCC Notice:

Changes or modifications not expressly approved by the party responsible for compliance could void the user's authority to operate the equipment. This equipment has been tested and found to comply with the limits for a Class B digital device, pursuant to Part 15 of the FCC Rules. These limits are designed to provide reasonable protection against harmful interference in a residential installation. This equipment generates, uses, and can radiate RF energy, and if not installed and used in accordance with the instructions, may cause harmful interference to radio communications. However, there is no guarantee that interference will not occur in a particular installation. If this equipment does cause harmful interference to radio or television reception, which can be determined by turning the equipment off and on, the user is encouraged to try to correct the interference by one or more of the following measures:

- Reorient or relocate the receiving antenna.
- Increase the separation between the equipment and the receiver.
- Connect the equipment into an outlet on a circuit different from that to which the receiver is connected.
- Consult the dealer or an experienced radio / TV technician for help.

Suppliers Declaration of Conformity

Unique Identifier: EATON, BC350R (AG-075C), BC600R (AG-075D), BC850R (AG-075E)

Responsible Party:

EATON
10000 Woodward Ave
Woodridge, IL 60517 USA
773-869-1111

tripplite.eaton.com

FCC Compliance Statement:

This device complies with Part 15 of the FCC Rules. Operation is subject to the following two conditions:

1. This device may not cause harmful interference, and
2. this device must accept any interference received, including interference that may cause undesired operation.

Innovation, Science and Economic Development Canada Notice

This Class B digital device apparatus complies with Canadian ICES-003.

CAN-ICES-003(B) / NMB-003(B)

©Copyright 2023 Eaton, Raleigh, NC, USA. All rights reserved. No part of this document may be reproduced in any way without the express written approval of Eaton.

Special Symbols

The following are examples of symbols used on the product to alert you to important information:



Danger: Dangerous voltage levels are present within the UPS. The UPS has an internal power source (the battery). Consequently, the power outlets may be energized even if the UPS is disconnected from the AC power source.



Important instructions that must always be followed.

CAUTION: Batteries present a risk of energy or electric shock or burn from high short circuit currents. Observe proper precautions. Batteries may contain HIGH VOLTAGE and CORROSIVE, TOXIC, and EXPLOSIVE substances. Do not dispose of batteries in a fire, as they may explode.



This symbol indicates that you should not discard the UPS or the UPS batteries in the trash. This product contains sealed, lead— acid batteries and must be disposed of properly. For more information, contact your local recycling/reuse or hazardous waste center.



This symbol indicates that you should not discard waste electrical or electronic equipment (WEEE) in the trash. For proper disposal, contact your local recycling/reuse or hazardous waste center for more information.

Battery Warning Instructions

- Internal battery voltage is 12VDC. Sealed, lead-acid, 6-cell battery.
- Risk of electric shock. All repairs and service should be performed by **AUTHORIZED SERVICE PERSONNEL ONLY**. There are **NO USER-SERVICEABLE PARTS** inside the UPS. The battery circuit is not isolated from AC Mains Input.
- Remove watches, rings, and other metal objects from the hands.
- Wear rubber gloves and boots.
- Use tools with insulated handles.
- The system must be properly grounded at all times.
- The battery supplied with the system contains small amounts of toxic materials. To avoid accidents, observe the following directives:
 - Servicing of batteries should be performed or supervised by personnel knowledgeable about batteries and the required precautions.
 - When replacing batteries, replace with the same type and number of batteries or battery packs.
 - Do not dispose of batteries in a fire. The batteries may explode.
 - Batteries constitute a danger (electrical shock and burning). The short-circuit current may be very high.
- Precautions must be taken for all handling. A battery can present a risk of electric shock and high short circuit current. The following precautions should be observed when working on batteries:
 - Do not lay tools or metal parts on top of batteries.
 - Disconnect the charging source prior to connecting or disconnecting battery terminals.
 - Remove battery grounds during installation and maintenance to reduce the likelihood of shock
 - Determine if the battery is inadvertently grounded. If inadvertently grounded, remove the source from the ground. Contact with any part of a grounded battery can result in electrical shock. The likelihood of such shock can be reduced if such grounds are removed during

installation and maintenance (applicable to equipment and remote battery supplies not having a grounded supply circuit).

Product Safety

- Changes or modifications not expressly approved by the party responsible for compliance can void the user's authority to operate the equipment.
- To connect the UPS, the instructions and operations described in the manual must be followed in the indicated order.
- Check that the indications on the rating plate correspond to your AC-powered system and to the actual electrical consumption of all the equipment to be connected to the system.
- This type A uninterruptible power equipment with the battery already installed by the supplier can be operated and installed by the end user.
- For PLUGGABLE EQUIPMENT, the socket-outlet shall be installed near the equipment and shall be easily accessible.
- Never install the system near liquids or in an excessively damp environment. This equipment should only be used in a dry, indoor environment.
- During the installation of this equipment, it should be assumed that the sum of the leakage currents of the UPS and the connected loads does not exceed 3.5 mA.
- This unit is intended for installation in a controlled environment (temperature-controlled, indoor area free of conductive contaminants). Avoid installing the UPS in locations with standing or running water or excessive humidity.
- Connection to any other type of receptacle other than a two-pole, three-wire grounded receptacle may result in shock hazards as well as violate local electrical codes.
- Ensure that the system is free of any contaminants, the surrounding area is free of debris, and there are no foreign substances within the system.
- In the event of an emergency, press the "OFF" button and disconnect the power cord from the AC power supply to properly disable the UPS.
- Never block the cooling vents of the system.
- Do not allow any liquids to enter the UPS. Do not place beverages or any other liquid-containing vessels on or near the unit.
- Never expose the system to direct sunlight or to a heat source.
- Store the system in a dry place before installing, if storage is required.
- Do not plug the UPS input into its own output.
- Do not attach a power strip or surge suppressor to the UPS.
- Do not attach non-computer-related items, such as medical equipment, life-support equipment, microwave ovens, or vacuum cleaners, to a UPS.
- Unplug the UPS prior to cleaning, and do not use liquid or spray detergent.
- To reduce the risk of overheating the UPS, do not cover the unit's cooling vents and avoid exposing the UPS to direct sunlight or installing the unit near heat-emitting appliances such as space heaters or furnaces.

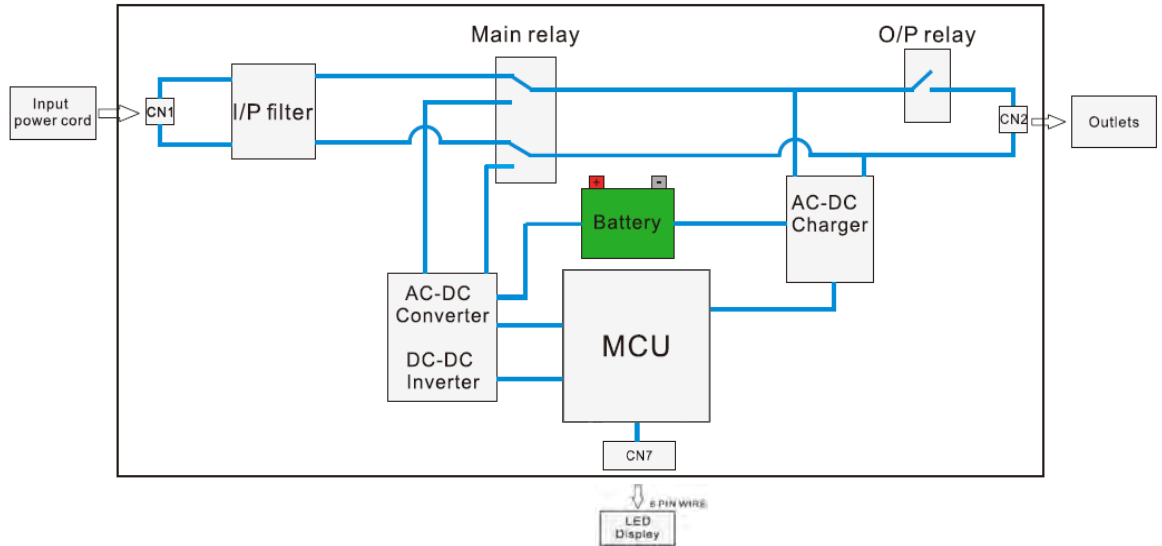
Table of Contents

1 Introduction	1
1.1 Overview	1
1.2 Package Contents	2
1.3 Dimensions	2
1.4 Physical Features	3
2 Installation	5
2.1 UPS Installation	5
2.2 Secure Mounting Option	5
2.3 Standard Mounting Installation	6
2.4 VESA Mount Installation	6
2.5 Wall Mount Installation	7
3 Operation	9
3.1 Standby Mode	9
3.2 Turning the UPS On	9
3.3 Cold Start	9
3.4 Turning the UPS Off	9
3.5 Audible Alarm Enable/Disable	9
3.6 LED Indicators	10
4 UPS Maintenance	11
4.1 Battery Replacement	11
4.2 Storage	13
4.3 Recycling Used Equipment	13
5 Troubleshooting	15
5.1 Audible Alarms and Conditions	15
5.2 Service and Support	16
6 Specifications	17
6.1 Product Specifications	17

Table of Contents

Chapter 1 Introduction

1.1 Overview



The standby UPS system provides reliable battery backup and AC power protection against blackouts, brownouts, over-voltages, surges, and line noise that can damage valuable electronics or destroy data. The 3-, 4-, and 5-outlet 120V battery backup is the ideal protection for your home office, media center or professional kiosk, security and small-business phone applications, computers, routers, printers, HDTVs, Blu-ray players, game consoles, ATMs, security systems and digital signage equipment.

Backup support allows you to work through short power failures and gives you enough time to save files safely and shut down your system in case of a prolonged blackout. Backup time varies according to load, but the UPS should keep an energy-efficient desktop computer with a small LCD monitor powered for as long as 13 minutes. In Line Mode, incoming utility power keeps the replaceable internal battery fully charged, so backup power will always be available. A high (>97%) line-mode efficiency rating reduces BTU emissions, energy consumption, and energy costs.

Various electromagnetic and radio sources in virtually every home and business can cause disruptive interference on the AC line. Known as electromagnetic interference (EMI) and radio frequency interference (RFI), this line noise is a common cause of performance problems and can lead to incremental hardware damage, data corruption, and audio/video transmission problems. The UPS incorporates technology that filters out disruptive line noise so it won't affect your equipment.

Other key features include:

- User-replaceable battery.
- Compact housing with easy desktop or wall mount installation option.
- Alarm remains silent in backup mode, sounding only when imperative.
- Auto-restart during AC recovery.
- Overload protection when operating on AC and Battery modes.
- Input voltage out-of-range protection.

1.2 Package Contents

Table 1. Package Contents

Contents
UPS
Quick start manual
Four M4 x 12 mm Phillips VESA mounting screws
Four M4 x 20 mm Phillips self-tapping wall mounting screws

1.3 Dimensions

Figure 1. BC350R(AG-075C) and BC600R(AG-075D) Dimensions

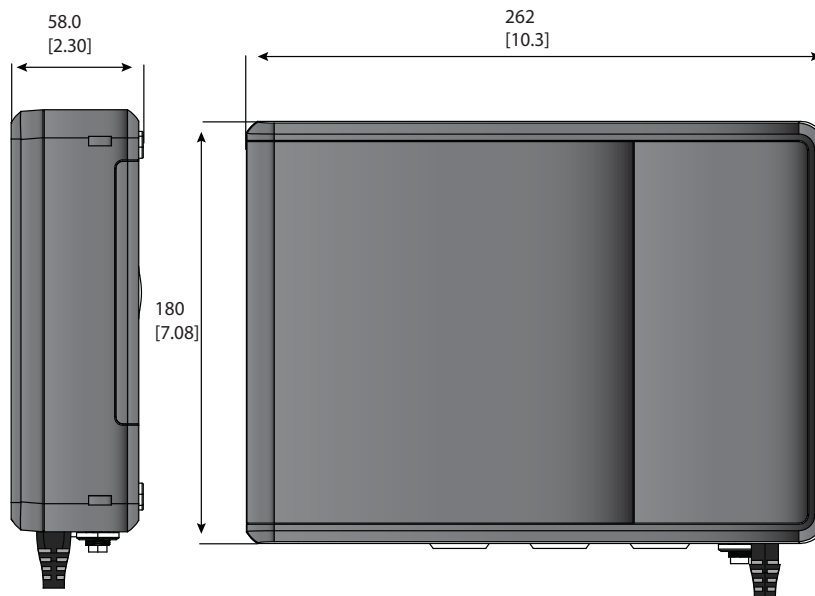
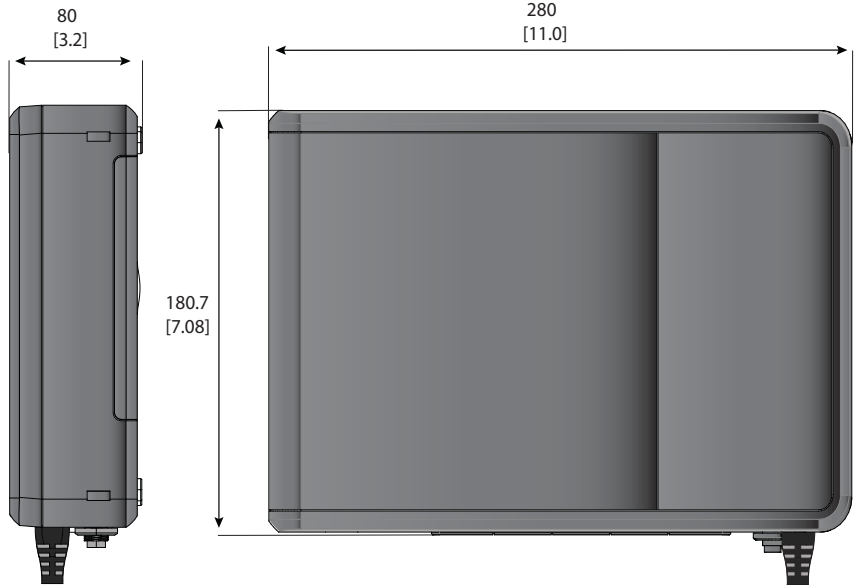
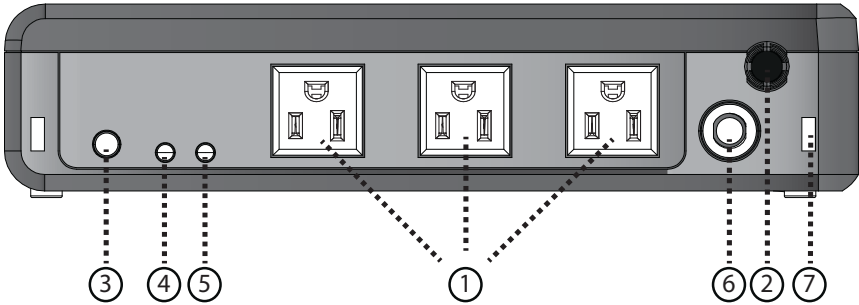


Figure 2. BC850R(AG-075E) Dimensions



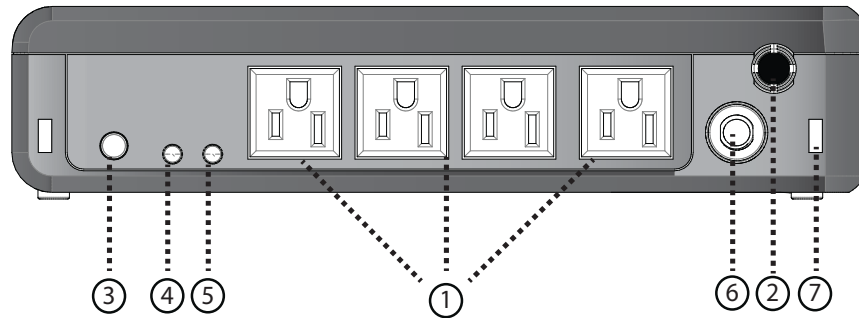
1.4 Physical Features

Figure 3. BC350R(AG-075C)



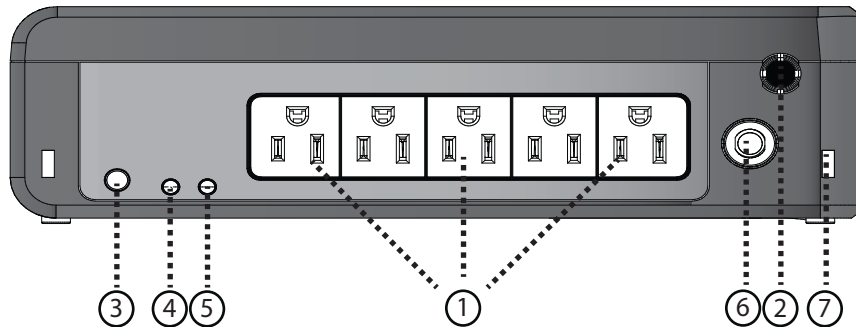
- ① Battery back up and surge protected outlets
- ② 5-15 AC input line cord
- ③ Power switch
- ④ Green LED indicator
- ⑤ Red LED indicator
- ⑥ Circuit breaker
- ⑦ Cable management secure point

Figure 4. BC600R(AG-075D)



- ① Battery back up and surge protected outlets
- ② 5-15 AC input line cord
- ③ Power switch
- ④ Green LED indicator
- ⑤ Red LED indicator
- ⑥ Circuit breaker
- ⑦ Cable management secure point

Figure 5. BC850R(AG-075E)



- ① Battery back up and surge protected outlets
- ② 5-15 AC input line cord
- ③ Power switch
- ④ Green LED indicator
- ⑤ Red LED indicator
- ⑥ Circuit breaker
- ⑦ Cable management secure point

Chapter 2 Installation

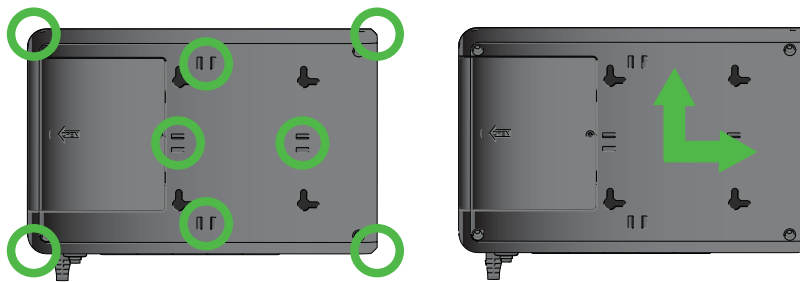
2.1 UPS Installation

The Tripp Lite Series UPS System can be installed in various orientations, as described in this chapter. Remove the UPS from its packaging and inspect it for damage that may have occurred during shipping. If any damage is discovered, re-pack the UPS and contact your **Local Distributor** or **Eaton Support**.

2.2 Secure Mounting Option

Secure mounting points on the UPS allow for mounting vertically or horizontally with zip ties.

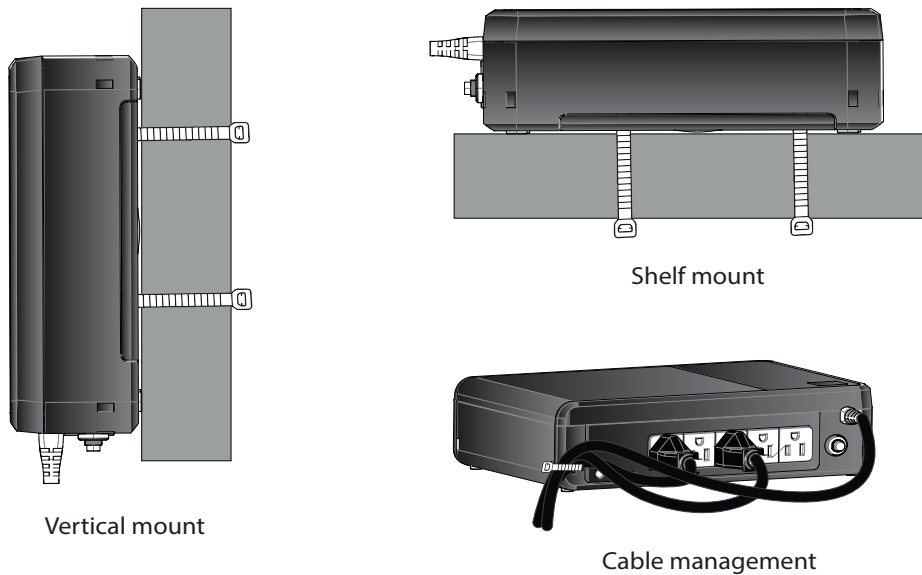
Figure 6. Secure Mounting Points



NOTE

The arrows on the bottom label of the UPS indicate the correct orientation to observe when installing the unit.

Figure 7. Cable Management and Secure Mounting Option



2.3 Standard Mounting Installation

The Tripp Lite Series UPS system can be installed in the following standard mounting orientation.



NOTE

Do not install the unit on its sides, front or back. The UPS can become unstable and tip over, causing damage to the product.

Figure 8. Standard Mounting



2.4 VESA Mount Installation



The M4 X12 mm VESA screws (provided) may not be compatible with every monitor. Consult the monitor user manual for screw depth and equipment weight specifications for VESA mount applications.

The UPS has rear keyhole spaces 100 mm apart for optional VESA mounting in a vertical or horizontal position.

To mount:

1. Install the four M4 x12 mm VESA mount screws (provided) in the desired holes in the back of the monitor leaving the screws extended about 0.28 inches.
2. Center the UPS keyhole openings over the screw heads and push towards the monitor and then down lightly to lock it onto the screws.

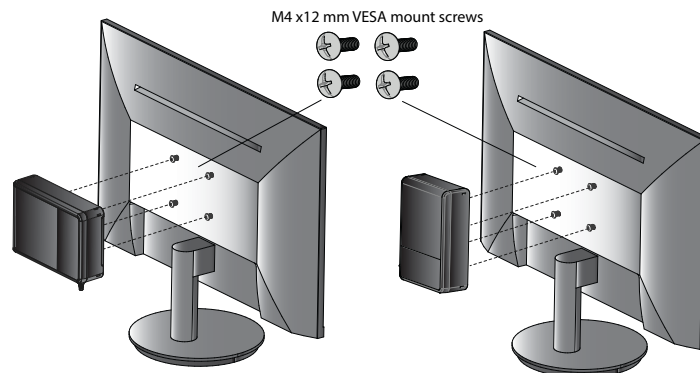


NOTE

The arrows on the bottom label of the UPS indicate the correct orientation to observe when installing the unit. See [Figure 6](#).

3. To detach the UPS from your monitor, lightly push up on the bottom of the UPS to release it from the monitor.
4. Carefully lift the UPS off the monitor.

Figure 9. VESA Mount Installation



2.5 Wall Mount Installation

⚠ WARNING

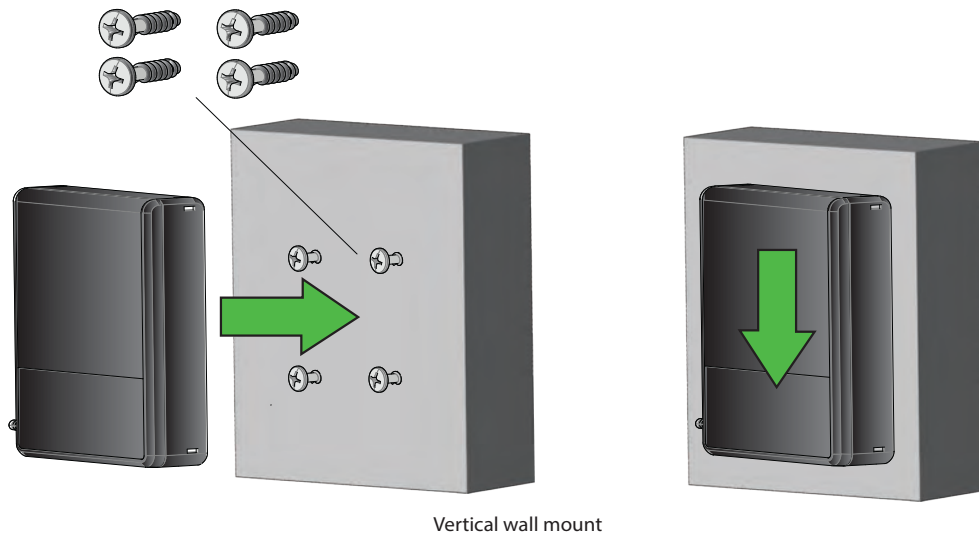
The Tripp Lite Series UPS system includes four M4 x 20 mm Phillips self-tapping screws that should be installed directly into the center of a wood wall stud for mounting the UPS in a vertical or horizontal orientation. Use appropriate anchoring methods for other wall material types to ensure the UPS is securely mounted and supported.



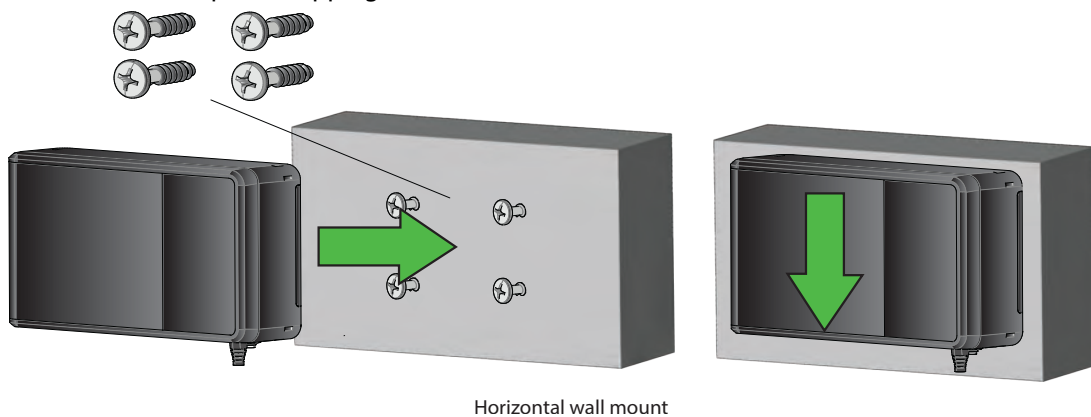
NOTE

The arrows on the bottom label of the UPS indicate the correct orientation to observe when installing the unit. See [Figure 6](#).

M4 x 20 mm Phillips self-tapping screws



M4 x 20 mm Phillips self-tapping screws



Wall Mount Installation

To secure the UPS, follow the below steps:

1. Measure and mark the hole locations on the wall. Use a screwdriver to install the screws in the wall, leaving the screws extended 0.28 inches.

Figure 10. BC350R(AG-075C) / BC600R(AG-075D) Wall Mounting Hole Dimensions

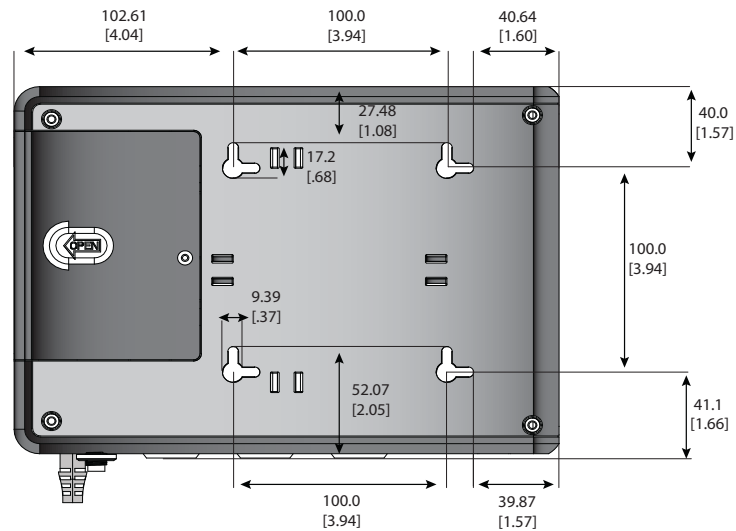
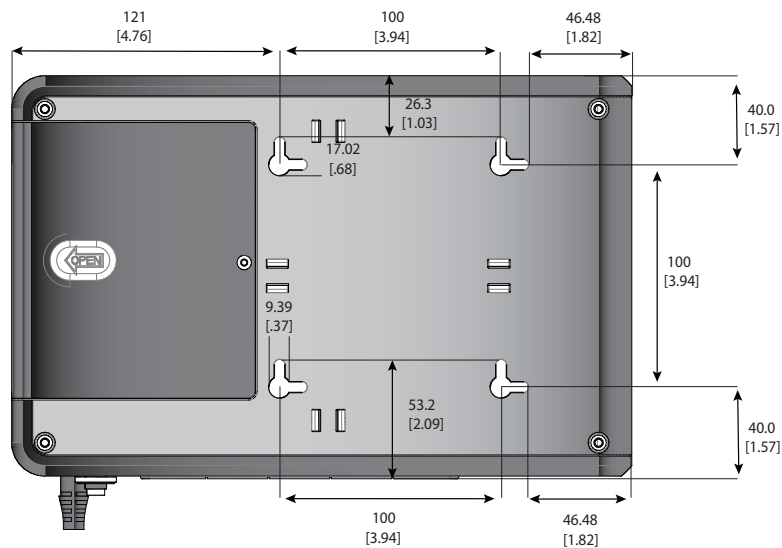


Figure 11. BC850R(AG-075E) Wall Mounting Hole Dimensions



2. Center the UPS keyhole openings over the screw heads and push towards the wall and then down lightly to lock it onto the screws.
3. To detach the UPS from the wall, lightly push up on the bottom of the UPS to release it from the wall.
4. Carefully lift the UPS off the wall.

Chapter 3 Operation

3.1 Standby Mode

When the UPS is turned off and plugged into a wall outlet or other power source, the UPS is in Standby Mode. The Power On indicator is off, indicating that power is not available from the rear receptacles.

3.2 Turning the UPS On

For normal AC startup of the UPS, follow these steps:

1. Connect the UPS AC power cord to a properly grounded NEMA 5–15R wall outlet.
2. Press the power button lightly for two seconds to start the UPS in Normal mode. The UPS will beep and the green LED will turn on and stay illuminated. See [1.4 Physical Features](#) for an illustration of the green LED indicator location on the back panel.
3. Plug your load equipment into the outlets on the back of the UPS. These outlets provide both surge and battery backup capabilities.



NOTE

The Tripp Lite Series UPS system is designed to support electronic equipment only. You will overload the UPS if the total volt-amp (VA) ratings for all the equipment connected to the outlets exceeds the UPS output capacity. To find your equipment's VA ratings, look at its nameplate. If the equipment is listed in amps (A), multiply the number of amps by 120 to determine VA. For example $1A \times 120 = 120VA$. If you suspect you have overloaded the outlets, remove some equipment.

4. Register your UPS at tripplite.eaton.com.

3.3 Cold Start

To turn on the UPS without utility power, press and hold the ON/OFF button for two seconds. The UPS will beep and the green LED will flash every ten seconds, indicating it is on battery power.



NOTE

The UPS does not automatically detect the input frequency when starting on the battery. The default frequency for 120V models is 60 Hz.

3.4 Turning the UPS Off

To turn off the UPS, press and hold the ON/OFF button on the front panel for two seconds, the UPS will beep indicating it is in Standby Mode. Unplug the UPS from the power source. If you do not unplug the UPS, it remains in Standby Mode.

3.5 Audible Alarm Enable/Disable

The UPS audible alarm controls operate independently from Line Mode to Battery Mode and can be enabled or disabled in the following modes of operation:

Line Mode

- *To disable* all the alarm tones for Line Mode and in Battery Mode, press and hold the power button for ten seconds. The red LED will flash, and the UPS alarm tone will sound, indicating the alarm is now disabled.
- *To enable* the alarm tone in Line Mode, press and hold the power button for ten seconds. The green LED will flash, and the UPS alarm tone will sound, indicating the alarm is enabled.

Battery Mode**NOTE**

The default setting for the Battery Mode alarm tone is disabled. The Line Mode default must be set to enabled before changing the On Battery alarm settings. The On Battery audible alarm tones can be enabled or disabled in Battery Mode only. The alarm changes in Battery Mode do not affect the Line Mode setting.

- To *disable* the alarm tone in Battery Mode, press and hold the power button for five seconds. The green LED will flash and the UPS alarm tone will sound, indicating that the alarm has been disabled.
- To *enable* the alarm tone in Battery Mode, press and hold the power button for five seconds. The green LED will flash and the UPS alarm tone will sound, indicating that the alarm has been enabled.

**NOTE**

To verify the alarm status, test the UPS on battery power.

3.6 LED Indicators

The Tripp Lite Series UPS system rear panel indicates the UPS status via the UPS LED indicators. [Table 2](#) shows the LED status and operational mode of the UPS.

Table 2. LED Status

LED Status	Alarm	UPS Status
Green (On)	Off	Operating in normal line mode
Green (Flashing)	Off	Operating in battery mode
Green (Flashing) Red (On)	Sounding every second	Low battery
Green (Off)	Off	UPS is off
Red (On)	Continuously sounding	UPS fault (See Table 3)

Chapter 4 UPS Maintenance

4.1 Battery Replacement

⚠ DANGER

Risk of electric shock. All repairs and service should be performed by QUALIFIED SERVICE PERSONNEL ONLY. There are NO USER-SERVICEABLE PARTS inside the UPS. The battery circuit is not isolated from AC Mains Input.

⚠ WARNING

Replace the UPS battery with an Eaton-supplied battery ONLY! Ensure the UPS has been powered off and safely isolated from AC input power before replacing the battery. Although the UPS may be disconnected from the utility power, a hazardous voltage may still be present through the UPS battery. Use tools with insulated handles.

Do not connect or disconnect the battery unless the area is known to be free of ignitable sources.

The battery in the UPS is rated for a 3–5 year service life. The length of service life varies, depending on the frequency of use and ambient temperature. Batteries used beyond expected service life will often have severely reduced runtimes. Replace batteries at least every five years to keep your UPS running at peak efficiency.

Figure 12. BC350R(AG-075C) / BC600R(AG-075D) Battery Replacement

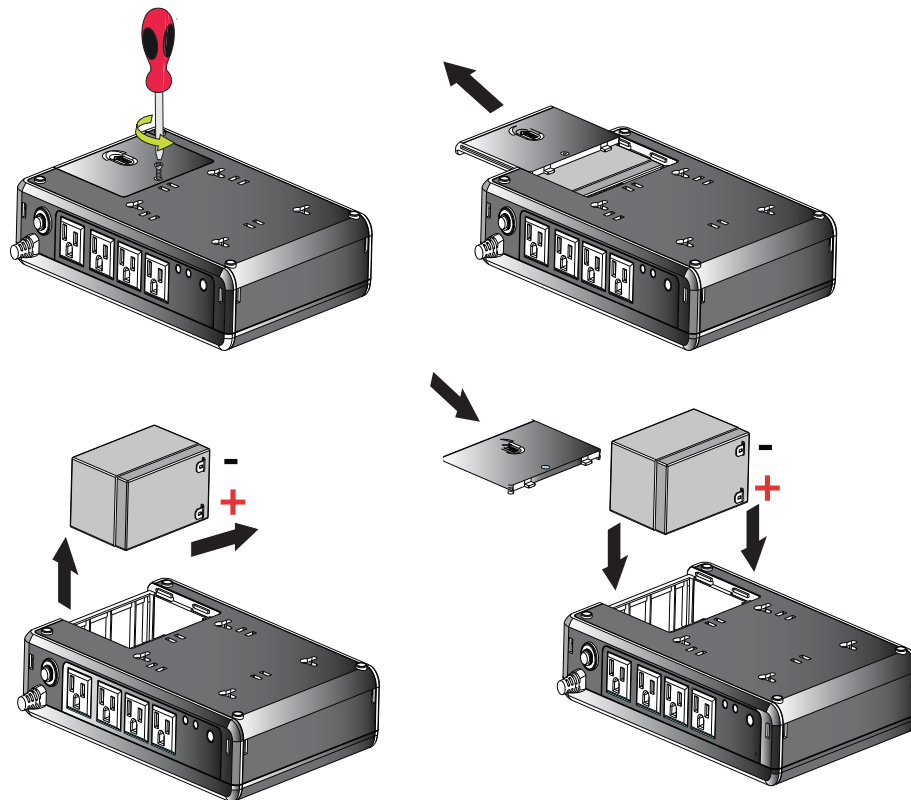
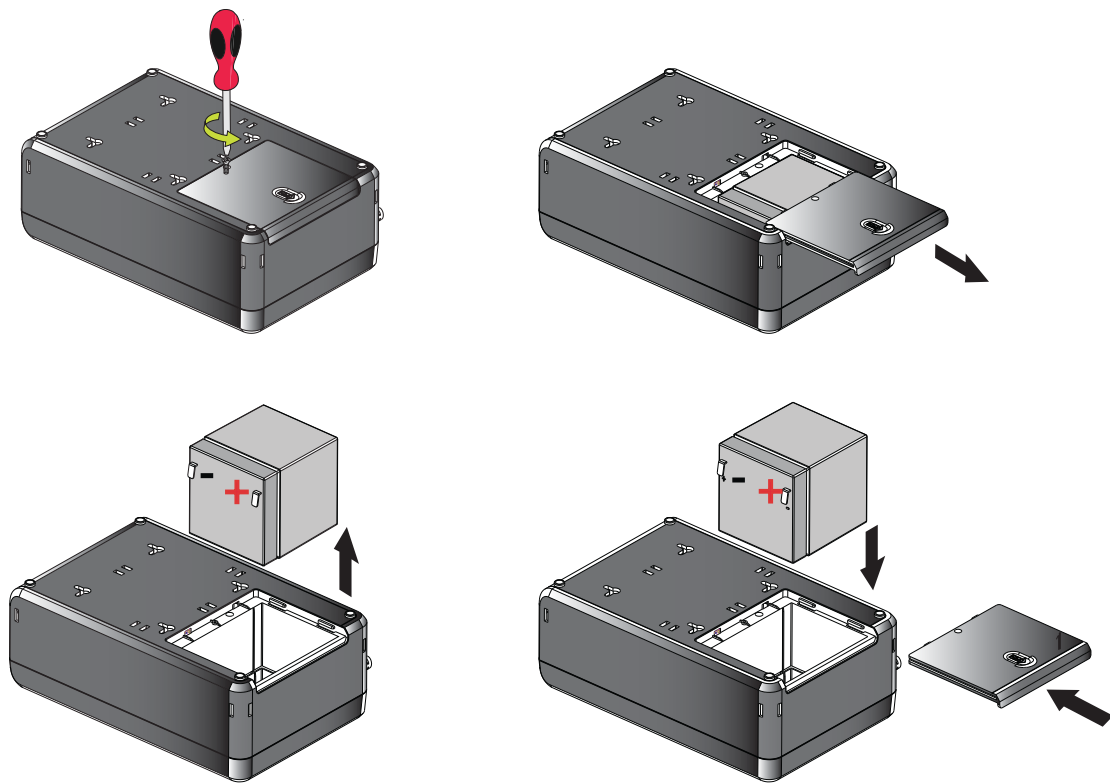


Figure 13. BC850R(AG-075E) Battery Replacement



CAUTION

Safely secure the battery cables out of the way when removing and installing the battery so that they do not get damaged during the battery replacement process. Use properly insulated tools when removing and installing the battery.

1. Remove the screw that holds the battery cover in place and set the screw aside in a safe place to avoid dropping it inside the UPS, then remove the battery cover.
2. Gently slide the battery from the UPS to access the negative battery terminal and disconnect the wire connected to the negative battery terminal.
3. Slightly pull the battery out to access the positive battery terminal and disconnect the wire from the positive battery terminal.
4. Carefully remove the battery from the UPS.
5. Carefully slide the new battery into the UPS. Connect the battery wires firmly to the new battery terminals; red to positive (+) followed by black to negative (-).
6. Slide the battery cover back onto the UPS and secure with the battery compartment screw.

4.2 Storage

The ideal ambient temperature range is 5°F to 122°F (-15°C to 50°C). It is recommended to charge the UPS for at least eight hours, then store the UPS covered and upright in a cool, dry location. Remove any accessories and disconnect any cables connected to the UPS to avoid unnecessary draining of the battery.

Extended Storage

During extended storage in environments where the ambient temperature is 5°F to 86°F (-15°C to 30°C), charge the UPS battery every six months.

During extended storage in environments where the ambient temperature is 86°F to 113°F (30°C to 45°C), charge the UPS battery every three months.

4.3 Recycling Used Equipment

Contact your local recycling or hazardous waste center for information regarding proper disposal of used equipment.



Danger: Dangerous voltage levels are present within the UPS. The UPS has an internal power source (the battery). Consequently, the power outlets may be energized even if the UPS is disconnected from the AC power source.



This symbol indicates that you should not discard the UPS or the UPS batteries in the trash. This product contains sealed, lead— acid batteries and must be disposed of properly. For more information, contact your local recycling/reuse or hazardous waste center.



This symbol indicates that you should not discard waste electrical or electronic equipment (WEEE) in the trash. For proper disposal, contact your local recycling/reuse or hazardous waste center for more information.

Recycling Used Equipment

Chapter 5 Troubleshooting

5.1 Audible Alarms and Conditions

The Tripp Lite Series UPS system has an audible alarm feature to alert you of potential power problems. When the alarm is activated, the alarm sounds at different intervals according to a particular condition. Use [Table 3](#) to determine and resolve the UPS alarms and conditions.

Table 3. Troubleshooting

Problem	Possible Cause	Solutions
No LEDs are displayed on the front panel	The UPS is not turned on	Verify that the UPS is connected to a valid power source and press the power button again.
	Battery Voltage is too low	Charge the battery for at least six hours.
	Battery fault	Replace the battery.
The UPS is always on battery mode	The power cord is disconnected	Verify that the UPS is connected to a valid power source.
The UPS alarm sounds continuously (If the alarm is not disabled in Line Mode (see 3.5 Audible Alarm Enable/Disable)	Overload in Line mode	Remove any unnecessary load and verify that the load does not exceed the defined UPS specifications. If the problem persists, contact Eaton support.
	Overload in Battery mode	Remove any unnecessary load and verify that the load does not exceed the defined UPS specifications. If the problem persists, contact Eaton support.
	Output short fault	Disconnect the load. Check the equipment for potential issues. Plug the devices back in, one at a time. If the problem persists contact the Eaton support.
Backup time too short	Battery voltage is too low	Charge the battery at least six hours.
	Battery is defective	Replace the battery.

5.2 Service and Support

If you have any questions or problems with the UPS, call your **Local Distributor** or **Eaton Support** at one of the following telephone numbers and ask for a UPS technical representative.

United States:	1-800-356-5737
Canada:	1-800-461-9166 ext 260
All other countries:	Call your local service representative

Please have the following information ready when you call Eaton Support:

- Model number
- Serial number
- Version number (if available)
- Date of failure or problem
- Symptoms of failure or problem
- Customer return address and contact information

If repair is required, you will be given a Returned Material Authorization (RMA) Number. This number must appear on the outside of the package and on the Bill Of Lading (if applicable). Use the original packaging or request packaging from Eaton Support or your local distributor. Units damaged in shipment as a result of improper packaging are not covered under warranty. A replacement or repair unit will be shipped, and freight prepaid for all warrantied units.

**NOTE**

For critical applications, immediate replacement may be available. Call **Eaton Support** for the dealer or distributor nearest you.

Chapter 6 Specifications

6.1 Product Specifications

Table 4. Input Characteristics

	BC350R(AG-075C)	BCR600(AG-075D)	BC850R(AG-075E)
Capacity VA/Watts	350 / 210	600/300	850/450
Voltage AC	120 V		
AC voltage range	95–145VAC High line set 145V +/- 5% High line reset 140V +/- 5% Low line set 95V +/- 5% Low line reset 100V +/- 5%		
AC amps	3A	5A	7.1A
frequency	50 or 60 Hz +/- 3 Hz (default 60Hz)		
AC input protection	(1) Thermal breaker 5A	(1) Thermal breaker 7A	(1) Thermal breaker 10A
Line efficiency at full load	>97.4%	>97.91%	>97.20%

Table 5. Output Characteristics

	BC350R(AG-075C)	BC600R(AG-075D)	BC850R(AG-075E)
Nominal output voltage	120V		
AC amps out	2.9A (Nom); 3.7A (Max)	5A (Nom) ; 6.3A (Max)	7.1A (Nom); 8.9A (Max)
AC output voltage (Line Mode)	120V (follows input voltage 95–145VAC)		
AC output voltage (Battery Mode)	120V		
Output AC waveform (Line Mode)	Sine wave (AC Mode)		
Output AC waveform (Battery Mode)	Modified sine wave (Battery Mode)		
Frequency	50 or 60 Hz follows the AC input frequency Battery cold start is 60Hz only		
Transfer time AC to DC	4 ~ 6 ms (Max < 10 ms)		

Table 6. Protection Characteristics

	BC350R(AG-075C)	BC600R(AG-075D)	BC850R(AG-075E)
UPS AC suppression joule rating	190 (AC)		
UPS AC suppression response time	Instantaneous		
Overload protection	Line Mode: 110% - Enter fault after five minutes; 120% - enter fault immediately. Battery Mode: 110% shutdown in five seconds; 120% shutdown immediately		

Table 7. Battery Characteristics

	BC350R(AG-075C)	BC600R(AG-075D)	BC850R(AG-075E)
Battery type	Sealed, maintenance-free, lead acid batteries.		
Battery voltage / AH	Qty (1) 12V / 2.8AH	Qty (1) 12V / 3.6AH	Qty (1) 12V / 6AH
Battery charge current	.5A		
Battery float voltage	13.7 VDC		
Recharge time	8 hours		
Backup time	2 min / full load 7 min / half load	1.2 min / full load 5 min / half load	1.7 min / full load 8 min / half load
Low voltage shutdown voltage	9.8V all load levels		
Min voltage for cold start	11V		
Hot-swappable battery	No		

Table 8. Environment

	BC350R(AG-075C)	BC600R(AG-075D)	BC850R(AG-075E)
Humidity	0-95% RH @ 0-40 C (non-condensing)		
Audible noise	<40 dBA (1 m from the front side)		
Storage temperature	-15 to +50 °C		
Operating temperature	0 to +50 °C		
Operating elevation	0-2000 meters		

Table 9. Weights and Dimensions

	BC350R(AG-075C)	BC600R(AG-075D)	BC850R(AG-075E)
Net Weight, lb. (kg)	4.6 lbs (2.1 kg)	4.8 lbs (2.2 kg)	7 lbs (3.2 kg)
H x W x D, in. (cm)	2.2 x 10.0 x 7.0 (5.8 x 25.5 x 18.0)		3.1 x 11.0 x 7.0 (8.0 x 28.0 x 18.0)

Table 10. Standards and Compliance

	BC350R(AG-075C)	BC600R(AG-075D)	BC850R(AG-075E)
Product certifications	CSA C22.2 NO. 107.3 (CAN); UL1778 (US) ; NOM (Mexico)		
Compliance	Energy Star; ROHS; FCC Class B, DOE, CEC		

Table 11. Electrical Input Connections

	BC350R(AG-075C)	BC600R(AG-075D)	BC850R(AG-075E)
Line cord	5ft NEMA 5–15P ; straight angle		

Table 12. Electrical Output Connections

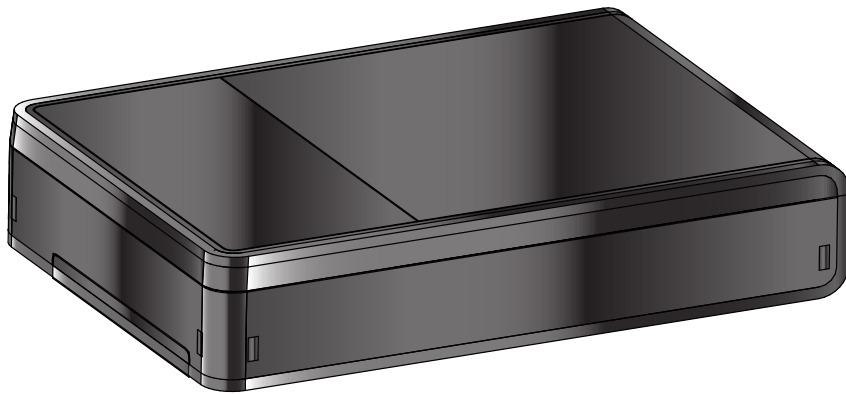
	BC350R(AG-075C)	BC600R(AG-075D)	BC850R(AG-075E)
Receptacle quantity and type	Three NEMA 5–15 receptacles surge + battery backup	Four NEMA 5–15 receptacles surge + battery backup	Five NEMA 5–15 receptacles surge + battery backup



93470A B

Sistemas UPS de la Serie Tripp Lite

Guía de Usuario Avanzado



BC350R (AG-075C)
BC600R (AG-075D)
BC850R (AG-075E)

Instrucciones de Seguridad

CONSERVE ESTAS INSTRUCCIONES.

Este manual contiene instrucciones importantes **que deben seguirse durante la instalación y el mantenimiento del UPS y las baterías.**

Aviso de la FCC:

Cambios o modificaciones no aprobadas expresamente por la parte responsable de la compatibilidad pueden invalidar la autoridad del usuario para operar el equipo. Se ha comprobado que este equipo cumple los límites para dispositivos digitales de Clase B, de acuerdo con la Parte 15 del Reglamento de la FCC. Estos límites están diseñados para proporcionar una protección razonable contra interferencias perjudiciales en una instalación residencial. Este equipo genera, usa y puede radiar energía de RF y si no se instala y usa de acuerdo con las instrucciones, puede causar interferencia perjudicial a las radiocomunicaciones. Sin embargo, no hay garantía de que no ocurra interferencia en una instalación específica. Si este equipo causa interferencia perjudicial a la recepción de radio o televisión, que puede determinarse apagando y encendiendo el equipo, se recomienda al usuario intentar corregir la interferencia por medio de una o más de las siguientes medidas:

- Reoriente o reubique la antena receptora.
- Aumente la separación entre el equipo y el receptor.
- Conecte el equipo a un tomacorriente de un circuito diferente al cual está conectado el receptor.
- Si necesita ayuda, consulte al distribuidor o a un técnico de radio y TV experimentado.

Declaración de Conformidad de los Proveedores

Identificador Único: EATON, BC350R (AG-075C), BC600R (AG-075D), BC850R (AG-075E)

Parte Responsable:

EATON
10000 Woodward Ave
Woodridge, IL 60517 USA
773-869-1111

tripplite.eaton.com

Declaración de Cumplimiento de la FCC:

Este dispositivo cumple con la Parte 15 del Reglamento de la FCC. La operación está sujeta a las dos condiciones siguientes:

1. Este dispositivo no puede causar interferencia dañina y
2. este dispositivo debe aceptar cualquier interferencia recibida, incluyendo interferencia que pueda causar una operación indeseable del dispositivo.

Aviso del Canadá sobre Innovación, Ciencia y Desarrollo Económico

Este aparato de dispositivo digital Clase B cumple con el programa canadiense ICES-003.

CAN-ICES-003(B) / NMB-003(B)

Símbolos Especiales

Los siguientes son ejemplos de símbolos utilizados en el producto para alertarle sobre información importante:



Peligro: Hay niveles de voltaje peligrosos dentro del UPS. El UPS tiene una fuente de alimentación interna (la batería). En consecuencia, los tomacorrientes pueden estar energizados incluso si el UPS está desconectado de la fuente de alimentación de CA.



Instrucciones importantes que siempre deben seguirse.

PRECAUCIÓN: Las baterías presentan un riesgo de descarga de energía o eléctrica o quemaduras por las altas corrientes de cortocircuito. Tome las precauciones correspondientes. Las baterías pueden contener ALTO VOLTAJE y sustancias CORROSIVAS, TÓXICAS y EXPLOSIVAS. No arroje las baterías al fuego, ya que pueden explotar.



Este símbolo indica que no debe desechar el UPS, o las baterías del UPS en la basura. Este producto contiene baterías selladas de plomo-ácido y debe desecharse correctamente. Para información adicional, póngase en contacto con su centro local de reciclado / reutilización de desechos peligrosos.



Este símbolo indica que no debe desechar residuos de equipos eléctricos o electrónicos (WEEE) en la basura. Para una eliminación adecuada, para mayor información, póngase en contacto con su centro local de reciclado y reutilización de desechos peligrosos.

Instrucciones de Advertencia sobre la Batería

- El voltaje de la batería interna es de 12VCD. Batería sellada de plomo-ácido de 6 celdas.
- Riesgo de descarga eléctrica. Todas las reparaciones y servicio deben realizarse por PERSONAL DE SERVICIO AUTORIZADO SOLAMENTE. NO hay partes dentro del UPS a LAS QUE EL USUARIO PUEDA DAR SERVICIO. El circuito de la batería no esté aislado de la alimentación de la red pública de CA.
- Retire de las manos relojes, anillos y otros objetos metálicos.
- Use botas y guantes de hule.
- Use herramientas con mangos aislados.
- El sistema debe estar correctamente conectado a tierra en todo momento.
- La batería suministrada con el sistema contiene pequeñas cantidades de materiales tóxicos. Para evitar accidentes, observe las siguientes directrices:
 - El Servicio a las baterías debe ser ejecutado o supervisado por personal con experiencia y conocimiento en baterías y de las precauciones requeridas.
 - Cuando reemplace baterías, utilice el mismo tipo y número de baterías o módulos de baterías.
 - No deseche las baterías en el fuego. Las baterías pueden explotar.
 - Las baterías constituyen un peligro (descargas eléctricas y quemaduras). La corriente de cortocircuito puede ser muy alta.
- Deben tomarse precauciones para todo manejo. Una batería puede presentar un riesgo de descarga eléctrica y alta corriente de cortocircuito. Deben observarse las siguientes precauciones al trabajar con baterías:
 - No coloque herramientas o partes metálicas sobre las baterías.
 - Desconecte la fuente de carga antes de conectar o desconectar las terminales de la batería.

- Retire las conexiones a tierra de la batería durante la instalación y el mantenimiento para reducir la probabilidad de descarga.
- Determine si la batería se ha conectado a tierra de forma inadvertida. Si se ha conectado a tierra de forma inadvertida, elimine el origen de la conexión a tierra. Hacer contacto con cualquier parte de una batería conectada a tierra puede causar una descarga eléctrica. La posibilidad de dicha descarga puede reducirse si dichas conexiones a tierra son eliminadas durante.

Seguridad del Producto

- Cambios o modificaciones no aprobadas expresamente por la parte responsable del cumplimiento pueden invalidar la autoridad del usuario para operar el equipo.
- Para conectar el UPS, deben seguirse las instrucciones y operaciones descritas en el manual en el orden indicado.
- Verifique que las indicaciones en la placa de especificación correspondan a su sistema alimentado por CA y al consumo eléctrico real de todo el equipo que conectará al sistema.
- Este equipo de alimentación ininterrumpida de tipo A con la batería ya instalada por el proveedor puede ser operado e instalado por el usuario final.
- Para EQUIPOS ENCHUFABLES, el tomacorriente debe instalarse cerca del equipo y debe ser fácilmente accesible.
- Nunca instale el sistema cerca de líquidos o en un ambiente excesivamente húmedo. Este equipo debe usarse solamente en un ambiente interior seco.
- Durante la instalación de este equipo debe asumirse que la suma de las corrientes de fuga del UPS y las cargas conectadas no exceda 3.5 mA.
- Este UPS está diseñado para instalación en un ambiente controlado (temperatura controlada, áreas interiores libres de contaminantes conductores). Evite instalar el UPS en ubicaciones con agua estancada o corriente o humedad excesiva.
- La conexión a cualquier otro tipo de tomacorriente distinto de un tomacorriente de dos polos y tres hilos con conexión a tierra puede causar peligros de descarga eléctrica, así como violar los códigos eléctricos locales.
- Asegúrese de que el sistema esté libre de contaminantes, que el área circundante esté libre de residuos y que no haya sustancias extrañas dentro del sistema.
- En caso de una emergencia, presione el botón "OFF" y desconecte el cable de alimentación de la fuente de alimentación de CA para desactivar correctamente el UPS.
- Nunca bloquee las ventilas de enfriamiento del sistema.
- No permita que ningún líquido entre al UPS. No coloque bebidas ni otros vasos que contengan líquidos sobre o cerca de la unidad.
- Nunca esponga el UPS a la luz solar o a una fuente de calor directa.
- Si requiere guardar el sistema, almacénelo en un lugar seco antes de instalarlo, si se requiere guardarlo.
- No enchufe la alimentación del UPS en sus propios tomacorrientes.
- No conecte una barra de contactos o supresor de sobretensiones al UPS.
- No conecte a un UPS artículos no relacionados con la computadora, como equipo médico, equipo de soporte de vida, hornos de microondas o aspiradoras.
- Desconecte el UPS antes de limpiar y no use detergente líquido o en aerosol.
- Para reducir el riesgo de sobrecalentamiento del UPS, no cubra las ventilas de enfriamiento de la unidad y evite exponer la unidad a la luz solar directa o instalar la unidad cerca de aparatos emisores de calor como calentadores u hornos.

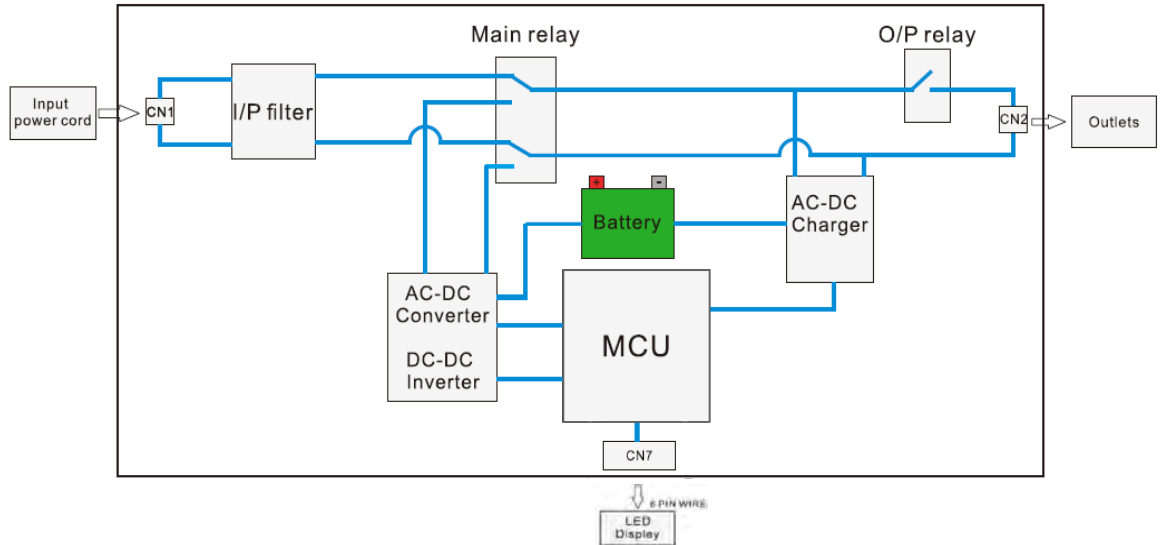
Table of Contents

1 Introducción	1
1.1 Descripción General	1
1.2 Contenido del Empaque	2
1.3 Dimensiones	2
1.4 Características Físicas	3
2 Instalación	5
2.1 Instalación del UPS	5
2.2 Opción de Instalación Segura	5
2.3 Instalación Estándar	6
2.4 Instalación con Soporte VESA	6
2.5 Instalación en Pared	7
3 Operación	9
3.1 Modo en Espera	9
3.2 Encendido del UPS	9
3.3 Arranque en Frío	9
3.4 Apagado del UPS	9
3.5 Activar y Desactivar la Alarma Acústica	9
3.6 Indicadores LED	10
4 Mantenimiento del UPS	11
4.1 Batería y Reemplazo	11
4.2 Almacenamiento	13
4.3 Reciclado del Equipo Usado	13
5 Solución de Problemas	15
5.1 Alarmas Acústicas y Condiciones	15
5.2 Servicio y Soporte	16
6 Especificaciones	17
6.1 Especificaciones del Producto	17

Table of Contents

Chapter 1 Introducción

1.1 Descripción General



El sistema de UPS Standby proporciona confiable respaldo por batería y protección de energía de CA contra apagones, caídas de voltaje, sobrevoltajes, sobretensiones y ruido en la línea que pueden dañar valiosos aparatos electrónicos o destruir la información. El respaldo por batería de 3, 4 y 5 tomacorrientes de 120V es la protección ideal para su oficina en casa, centro de medios o quiosco profesional, seguridad y aplicaciones telefónicas para pequeñas empresas, computadoras, ruteadores, impresoras, HDTV, reproductores Blu-ray, consolas de juegos, cajeros automáticos, sistemas de seguridad y equipos de señalización digital.

El respaldo por batería le permite trabajar durante fallas de energía breves y le da tiempo suficiente para guardar archivos y apagar de forma segura su sistema en caso de un apagón prolongado. El tiempo de respaldo varía según la carga, pero el UPS mantendrá alimentada una computadora de escritorio eficiente en energía con un monitor LCD pequeño por hasta 13 minutos. En el Modo en Línea, la energía entrante de la red pública mantiene totalmente cargada la batería interna reemplazable, de modo que siempre esté disponible energía de respaldo. Una alta calificación de eficiencia en el modo de línea >97% reduce las emisiones en BTU, el consumo de energía y los costos de energía.

Diversas fuentes electromagnéticas y de radio prácticamente en todas las casas o negocios pueden causar interferencia disruptiva en la línea de CA. Conocido como interferencia electromagnética (EMI) e interferencia de radiofrecuencia (RFI), este ruido de línea es una causa común de problemas de rendimiento y puede provocar daños incrementales en el hardware, corrupción de datos y problemas de transmisión de audio y vídeo. El UPS incorpora tecnología que filtra el perturbador ruido de la línea, de modo que no afecte a su equipo.

Otras características clave incluyen:

- Batería reemplazable por el usuario.
- Gabinete compacto con opción de instalación sencilla en escritorio o en pared.
- La alarma permanece silenciosa en modo de respaldo por batería, y suena solo si es imprescindible.
- Reinicio automático durante la recuperación de CA.
- Protección contra Sobrecarga cuando opera en los modos de CA y en respaldo por batería.
- Protección contra voltaje de entrada fuera de rango.

1.2 Contenido del Empaque

Table 1. Contenido del Empaque

Índice
UPS
Manual de inicio rápido
Cuatro tornillos para instalación VESA Phillips M4 x 12 mm
Cuatro tornillos para instalación en pared autorroscantes Phillips M4 x 20 mm

1.3 Dimensiones

Figure 1. Dimensiones del BC350R(AG-075C) y BC600R(AG-075D)

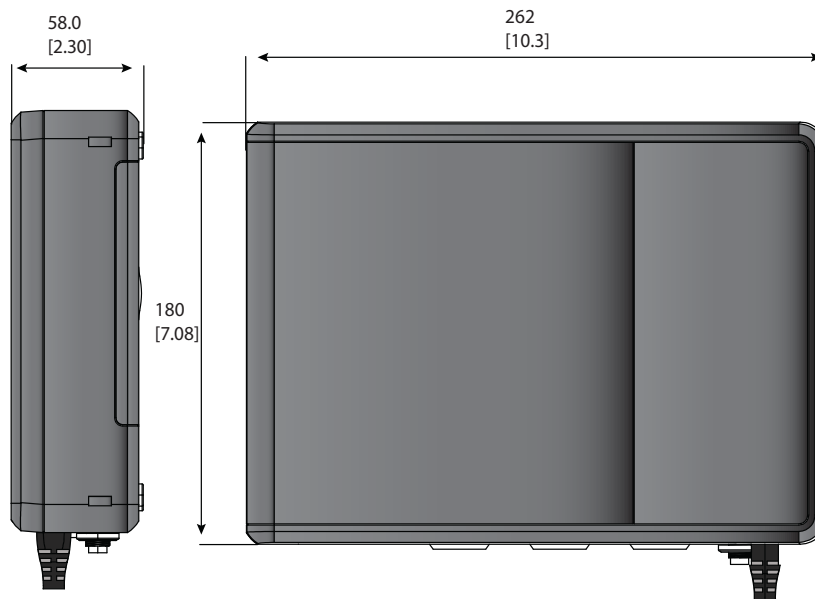
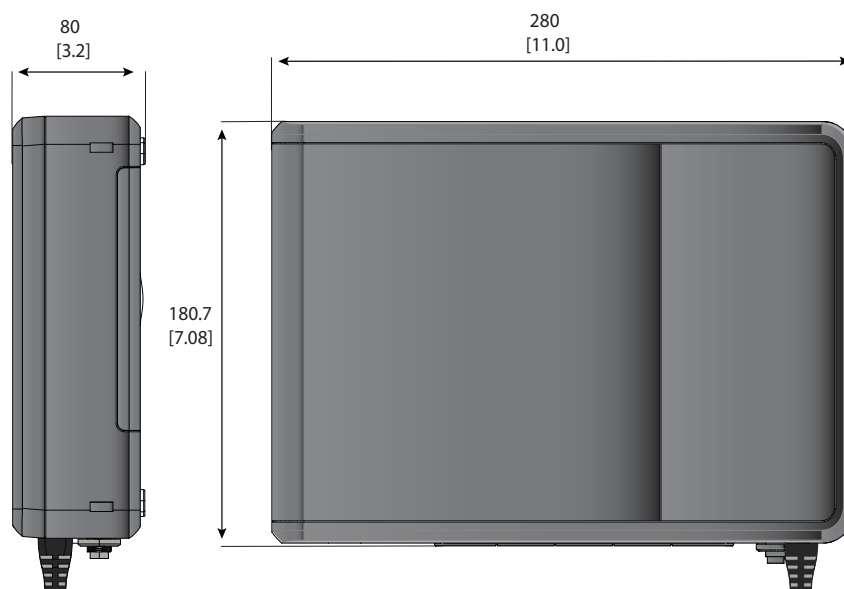
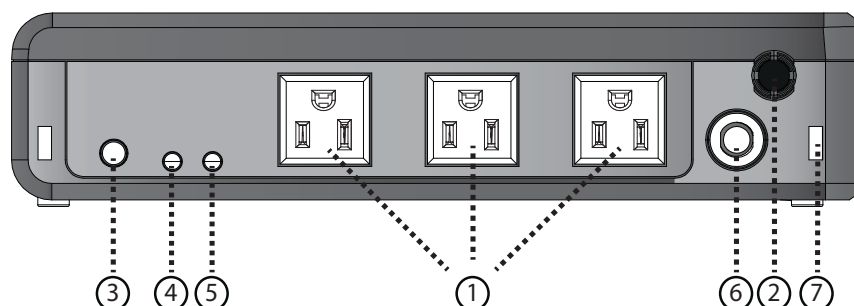


Figure 2. Dimensiones del BC850R(AG-075E)



1.4 Características Físicas

Figure 3. BC350R(AG-075C)



- | | |
|---|--|
| ① Batería de reserva y tomacorrientes | ⑤ Indicador LED Rojo |
| ② protegidas contra sobretensiones Cable de línea de entrada de CA 5-15 | ⑥ Breaker |
| ③ Interruptor de encendido | ⑦ seguro para administración de cables |
| ④ Indicador LED Verde de punto | |

Figure 4. BC600R(AG-075D)

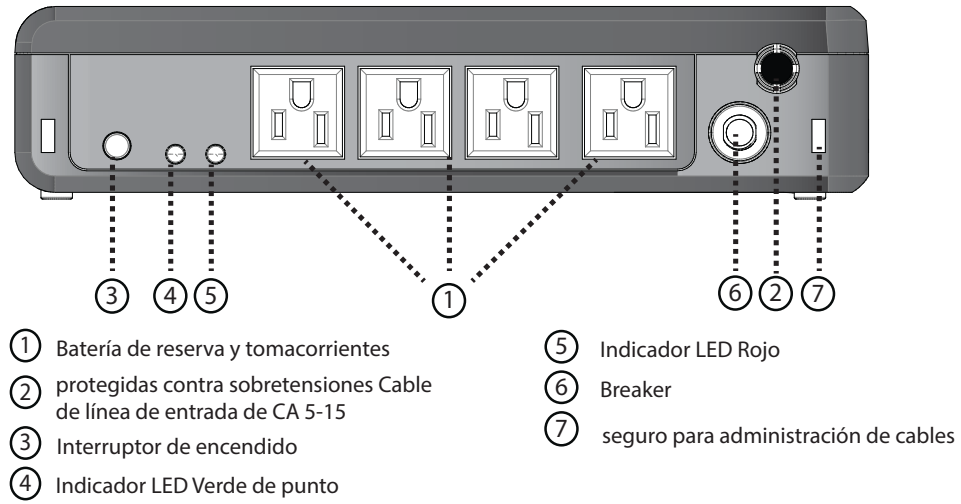
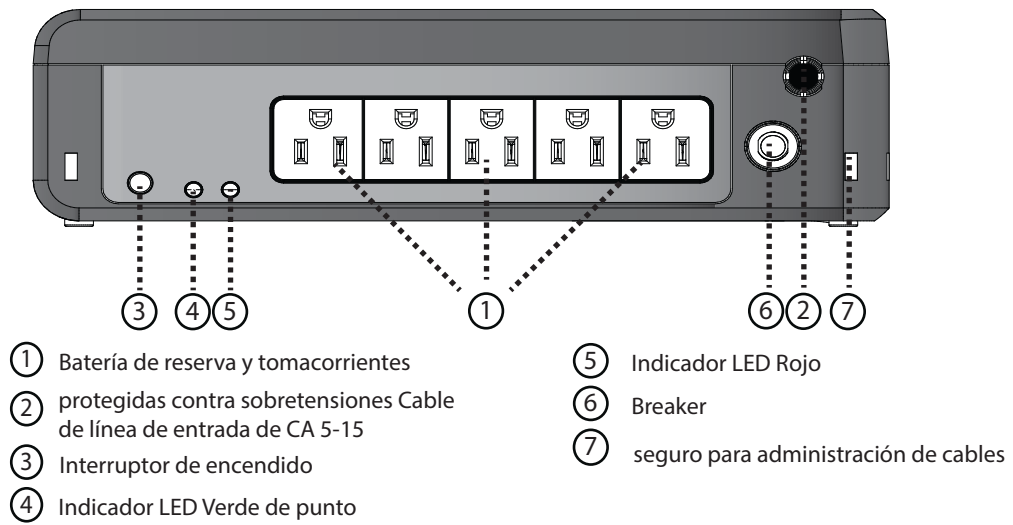


Figure 5. BC850R(AG-075E)



Chapter 2 Instalación

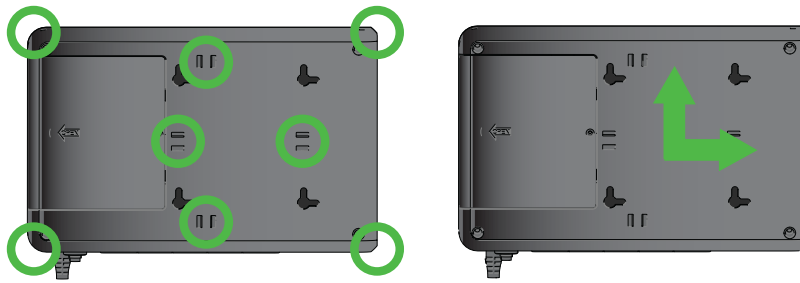
2.1 Instalación del UPS

El sistema UPS Tripp Lite Series puede instalarse en diversas orientaciones, como se describe en este capítulo. Retire el UPS de su empaque e inspecciónelo para detectar daños que puedan haber ocurrido durante el embarque. Si se descubre cualquier daño, vuelva a empacar el UPS y póngase en contacto con su **Distribuidor Local** o **Soporte de Eaton**.

2.2 Opción de Instalación Segura

Los puntos de instalación seguros en el UPS permiten la instalación vertical u horizontal con cintillos de amarre.

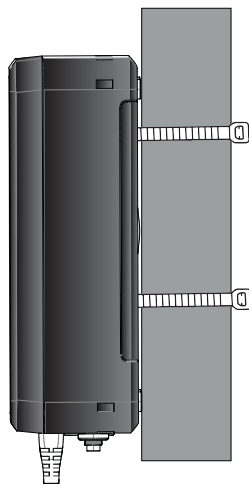
Figure 6. Puntos para Instalación Seguros



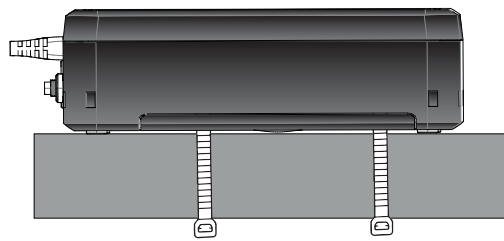
NOTE

Las flechas en la etiqueta inferior del UPS indican la orientación correcta que se debe observar al instalar la unidad.

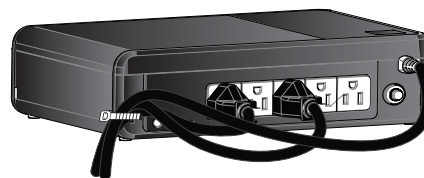
Figure 7. Opción de Administración de Cables e Instalación Firme



Instalación vertical



Instalación en entrepaño



Administración del cableado

2.3 Instalación Estándar

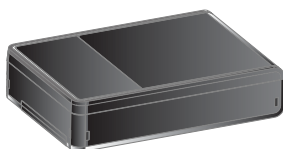
El sistema UPS Tripp Lite Series puede instalarse en la siguiente orientación estándar de instalación.



NOTE

No instale la unidad sobre sus costados, parte frontal o posterior. El UPS puede volverse inestable y volcarse, causando daños al producto.

Figure 8. Instalación Estándar



2.4 Instalación con Soporte VESA



Los tornillos VESA M4 x12 mm (suministrados) pueden no ser compatibles con todos los monitores. Consulte el manual del usuario del monitor para conocer la profundidad del tornillo y especificaciones de peso del equipo para aplicaciones de instalación VESA.

El UPS tiene orificios posteriores separados 100 mm para instalación VESA opcional en posición vertical u horizontal.

Para instalar:

1. Instale los cuatro tornillos para instalación VESA M4 x 12 mm (suministrados) en los orificios deseados en la parte posterior del monitor dejando los tornillos extendidos unos 7 mm [0.28"].
2. Centre las aberturas de las perforaciones del UPS sobre las cabezas de los tornillos y empuje hacia el monitor y luego hacia abajo ligeramente para asegurarlo en los tornillos.

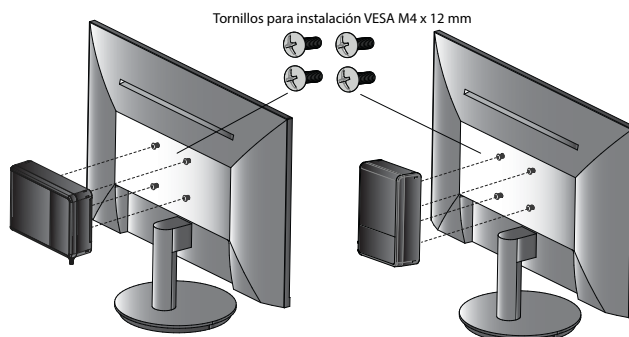


NOTE

Las flechas en la etiqueta inferior del UPS indican la orientación correcta que se debe observar al instalar la unidad. Ver [Figure 6](#).

3. Para desconectar el UPS de su monitor, empuje ligeramente hacia arriba en la parte inferior del UPS para liberarlo del monitor.
4. Levante cuidadosamente el UPS del monitor.

Figure 9. Instalación con Soporte VESA



2.5 Instalación en Pared

⚠ WARNING

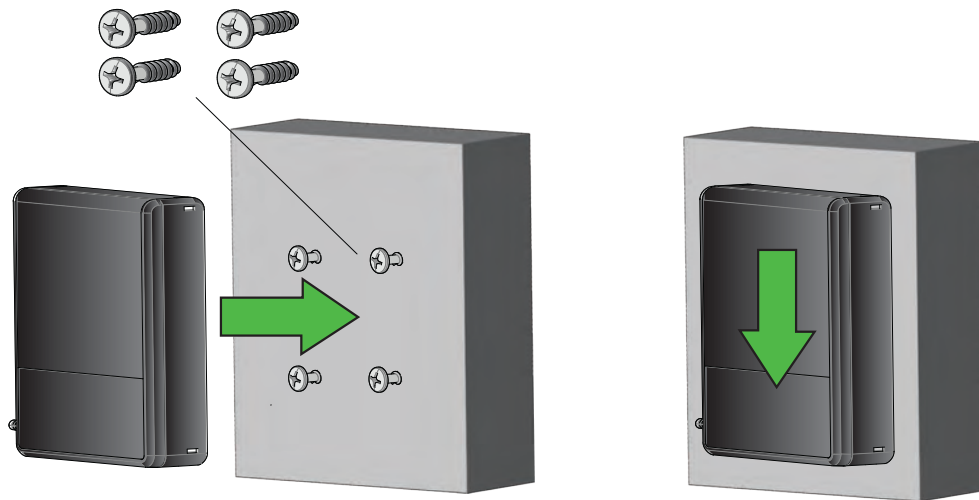
El sistema UPS Tripp Lite Series incluye cuatro tornillos autorroscantes Phillips M4 x 20 mm que deben instalarse directamente en el centro de un perno para pared de madera para instalar el UPS en una orientación vertical u horizontal. Use métodos de anclaje adecuados para otros tipos de materiales de pared para asegurar que el UPS esté instalado y soportado con seguridad.



NOTE

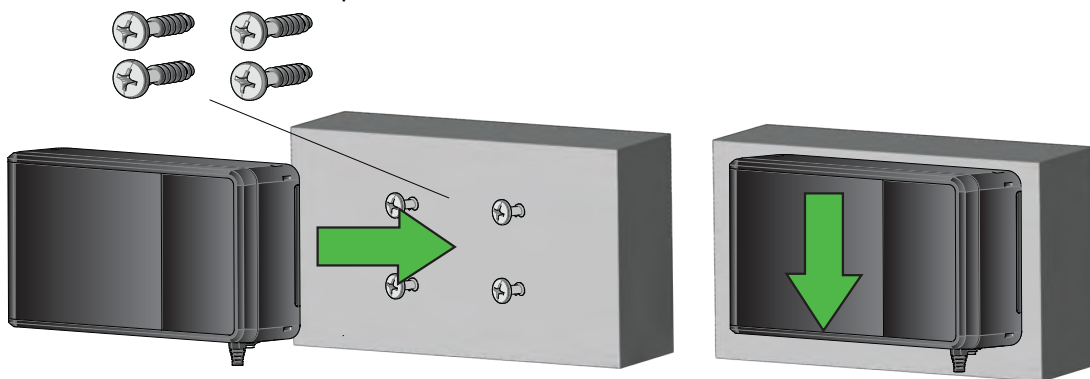
Las flechas en la etiqueta inferior del UPS indican la orientación correcta que se debe observar al instalar la unidad. Ver [Figure 6](#).

Tornillos autorroscantes Phillips M4 x 20 mm



Instalación vertical en pared

Tornillos autorroscantes Phillips M4 x 20 mm



Instalación horizontal en pared

Para asegurar el UPS, siga estos pasos:

1. Mida y marque la ubicación de los orificios en la pared. Use un desatornillador para instalar los tornillos en la pared, dejando los tornillos extendidos unos 7 mm [0.28"].

Figure 10. Dimensiones de Orificios para Instalación en Pared del BC350R(AG-075C) / BC600R(AG-075D)

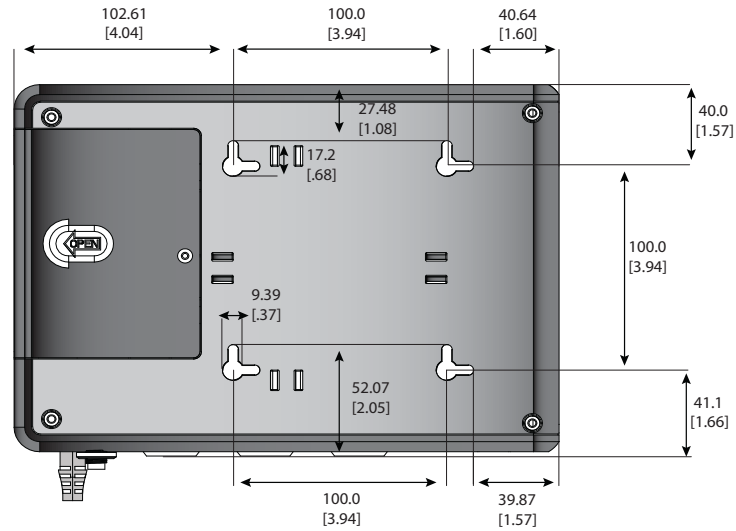
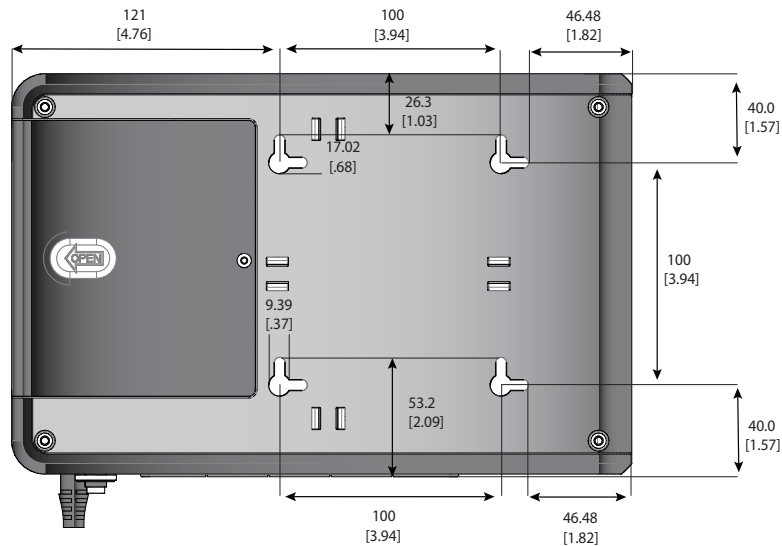


Figure 11. Dimensiones de Orificios para Instalación en Pared del BC850R(AG-075E)



2. Centre las aberturas con perforaciones del UPS sobre las cabezas de los tornillos y empuje hacia la pared y luego hacia abajo ligeramente para asegurarlo en los tornillos.
3. Para desprender el UPS de la pared, empuje ligeramente hacia arriba en la parte inferior del UPS para liberarlo de la pared.
4. Levante cuidadosamente el UPS de la pared.

Chapter 3 Operación

3.1 Modo en Espera

Cuando el UPS está apagado y enchufado en un tomacorriente de pared u otra fuente de alimentación, el UPS está en Modo en Espera. El indicador de encendido está apagado, indicando que no hay alimentación disponible en los tomacorrientes posteriores.

3.2 Encendido del UPS

Para el arranque normal de CA del UPS, siga estos pasos:

1. Conecte el cable de alimentación de CA del UPS a un tomacorriente de pared NEMA 5-15R conectado correctamente a tierra.
2. Presione ligeramente el botón de encendido durante dos segundos para iniciar el UPS en modo Normal. El UPS emitirá un pitido y el LED verde se encenderá y permanecerá iluminado. Ver 1.4 Características físicas para una ilustración del verde Ubicación del indicador LED en el panel posterior.
3. Enchufe su equipo en los tomacorrientes en la parte posterior del UPS. Estos tomacorrientes proporcionan funciones de protección contra sobretensiones y de respaldo por batería. Registre su UPS en tripplite.eaton.com.



NOTE

El sistema UPS Tripp Lite Series está diseñado para soportar solamente equipo electrónico. Usted sobrecargará el UPS si el valor total en volt amperes [VA] para todo el equipo conectado a los tomacorrientes excede la capacidad de salida del UPS. Para localizar los valores de VA de su equipo, consulte su placa de identificación. Si el equipo está especificado en amperes (A), multiplique el número de amperes por 120 para determinar VA. Por ejemplo, $1A \times 120 = 120VA$. Si sospecha que ha sobrecargado los tomacorrientes, retire algunos equipos.

3.3 Arranque en Frío

Para encender el UPS sin energía eléctrica, mantenga presionado el botón ON/OFF durante dos segundos. El UPS pitido y el LED verde parpadeará cada diez segundos, lo que indica que está encendido por la batería.



NOTE

El UPS no detecta automáticamente la frecuencia de entrada al iniciar usando la batería. La frecuencia predeterminada para los Modelos de 120V es 60 Hz.

3.4 Apagado del UPS

Para apagar el UPS, mantenga presionado el botón ON / OFF en el panel frontal durante dos segundos, el UPS emitirá un pitido indicando que está en modo de espera. Desenchufe el UPS de la fuente de alimentación. Si no desenchufa el UPS, permanece en modo de espera.


3.5 Activar y Desactivar la Alarma Acústica

Los controles de la alarma acústica del UPS operan independientemente del modo en línea al modo en respaldo por batería y pueden activarse o desactivarse en los siguientes modos de operación:


Modo en Línea

- *Para desactivar permanentemente* todos los tonos de alarma para el modo en línea y en modo de respaldo por batería, presione y sostenga por diez segundos el botón de encendido. El LED rojo destellará y sonará el tono de alarma del UPS, indicando que la alarma está ahora desactivada.
- *Para activar* tono de alarma en modo en línea, presione y sostenga por diez segundos el botón de encendido. El LED verde destellará y sonará el tono de alarma del UPS, indicando que la alarma está activada.

Modo de Respaldo por Batería

 **NOTE** La configuración predeterminada para el tono de alarma del modo de respaldo por batería está desactivada. El modo predeterminado En Línea debe configurarse en activo antes de cambiar los parámetros de alarma de respaldo por batería activo. Los tonos de alarma acústica de respaldo por batería pueden activarse o desactivarse solamente en modo de respaldo por batería. Los cambios de alarma en el modo de respaldo por batería no afectan la configuración del modo en línea.

- Para *desactivar* el tono de alarma en modo de respaldo por batería, presione y sostenga el botón de encendido por cinco segundos. El LED verde destellará y sonará el tono de alarma del UPS, indicando que la alarma ha sido desactivada.
- Para *activar* el tono de alarma en modo de respaldo por batería, presione y sostenga el botón de encendido por cinco segundos. El LED verde destellará y sonará el tono de alarma del UPS, indicando que la alarma ha sido activada.

 **NOTE** Para verificar el estado de la alarma, pruebe el UPS con energía de la batería.

3.6 Indicadores LED

El panel posterior del sistema UPS Tripp Lite Series indica el estado del UPS mediante los indicadores LED del UPS. La [Table 2](#) muestra el estado del LED y el modo de operación del UPS.

Table 2. Estado del LED

Estado del LED	Alarma	Estado del UPS
Verde (Encendido)	Apagado	Operando en modo normal en línea
Verde (Destellando)	Apagado	Operando en modo de respaldo por batería
Verde (Destellando) Rojo (Encendido)	Suena cada segundo	Batería baja
Verde (apagado)	Apagado	El UPS está apagado
Rojo (Encendido)	Sonido continuo	Falla del UPS)

Chapter 4 Mantenimiento del UPS

4.1 Batería y Reemplazo

⚠ DANGER

Riesgo de descarga eléctrica. Todas las reparaciones y servicio deben ser realizados SOLAMENTE POR PERSONAL DE SERVICIO CALIFICADO. NO hay partes dentro del UPS a LAS QUE EL USUARIO PUEDA DAR SERVICIO. El circuito de la batería no está aislado de la Entrada de la Red Pública de CA.

⚠ WARNING

¡Reemplace la batería del UPS solamente con una batería suministrada por Eaton! Asegúrese de que el UPS ha sido apagado y aislado con seguridad de la energía de alimentación de CA antes de reemplazar la batería. Aunque el UPS puede estar desconectado de la energía de la red pública, aún puede estar presente voltaje peligroso de la batería. Use herramientas con mangos aislados.

No conecte ni desconecte la batería a menos que se sepa que la zona está libre de fuentes inflamables.

La batería en el UPS está especificada para una vida útil de 3 a 5 años. La duración de la vida útil varía según la frecuencia de uso y la temperatura ambiente. Las baterías usadas más allá de la vida útil esperada a menudo tendrán autonomías severamente reducidas. Reemplace las baterías al menos cada cinco años para mantener su UPS funcionando a su máxima eficiencia.

Figure 12. Reemplazo de la Batería BC350R(AG-075C) / BC600R(AG-075D)

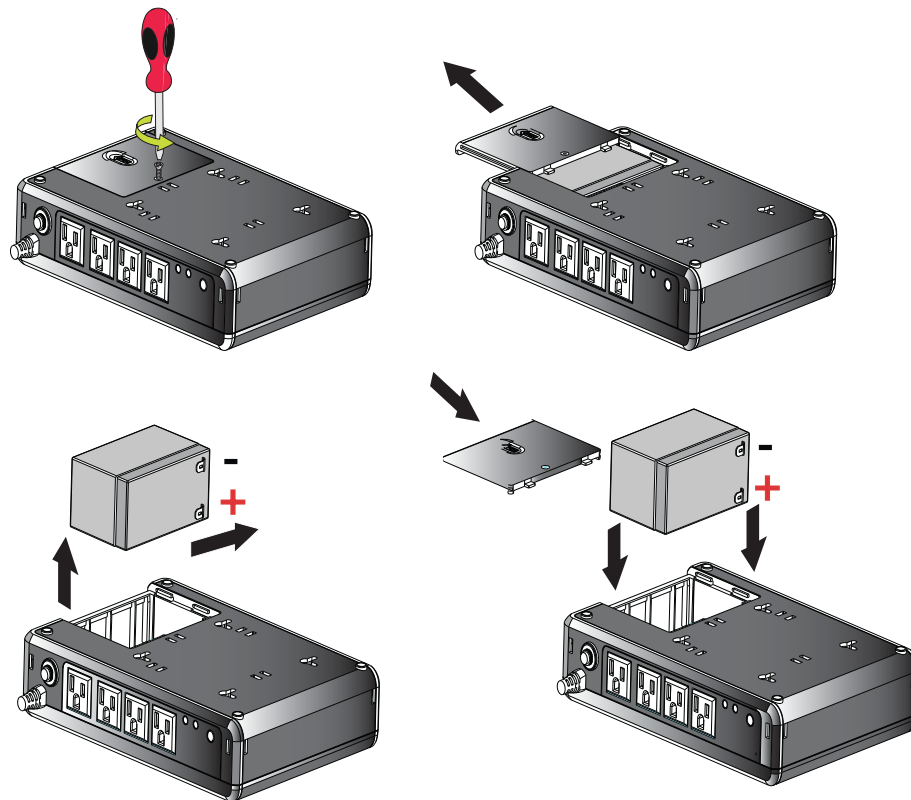
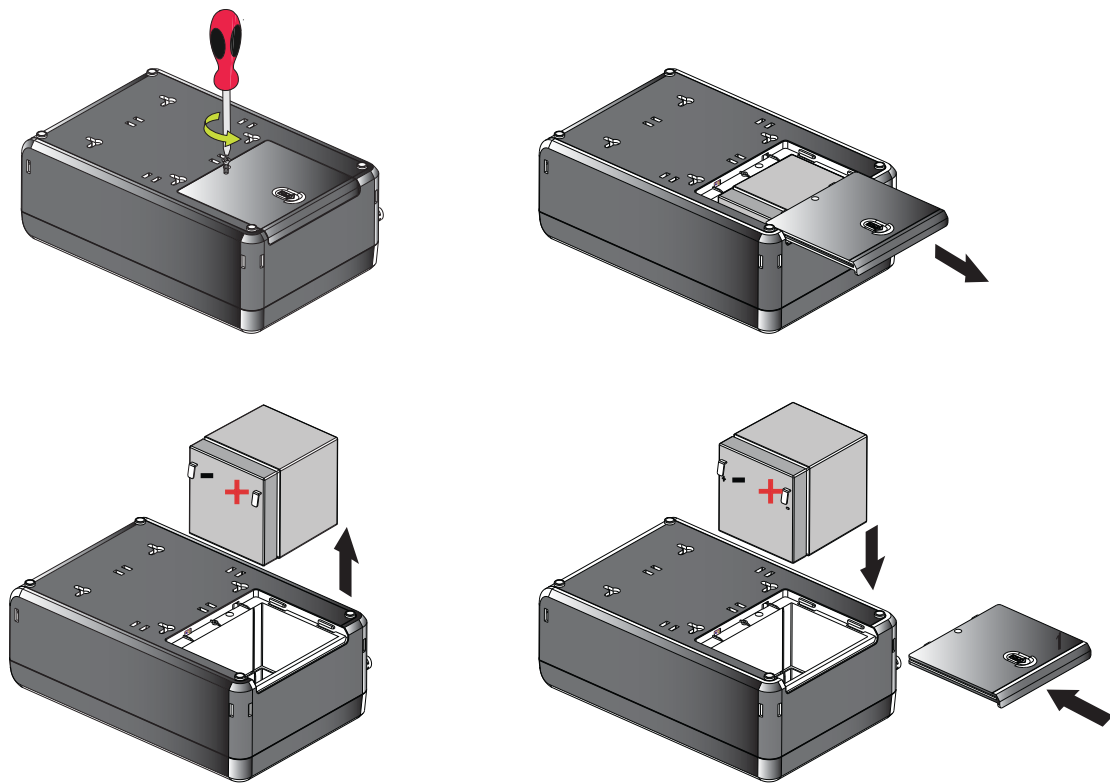


Figure 13. Reemplazo de la Batería BC850R(AG-075E)



CAUTION

Asegure firmemente los cables de la batería fuera del paso al retirar e instalar la batería de modo que no se dañen durante el proceso de reemplazo de la batería. Utilice herramientas correctamente aisladas al retirar e instalar la batería.

1. Retire el tornillo que sostiene la cubierta de la batería en su lugar y coloque el tornillo en un lugar seguro para evitar dejarlo caer dentro del UPS, entonces retire la cubierta de la batería.
2. Extraiga suavemente la batería del UPS para acceder a la terminal negativa de la batería y desconecte el cable conectado a la terminal negativa de la batería.
3. Jale ligeramente la batería hacia afuera para acceder a la terminal positiva de la batería y desconecte el cable de la terminal positiva de la batería.
4. Retire cuidadosamente la batería del UPS.
5. Deslice cuidadosamente la nueva batería dentro del UPS. Conecte firmemente los cables de la batería a las terminales de la nueva batería; rojo a positivo (+) seguido por negro a negativo (-).
6. Deslice nuevamente la cubierta de la batería en el UPS y asegúrela con el tornillo del compartimiento de la batería.

4.2 Almacenamiento

El rango de temperatura ambiente ideal es de -15 °C a 50 °C [5 °F a 122 °F]. Es recomendable cargar el UPS por al menos ocho horas, entonces almacene el UPS cubierto y vertical en una ubicación fresca y seca. Retire cualquier accesorio y desconecte cualquier cable conectado al UPS para evitar la descarga innecesaria de la batería.

Almacenamiento Prolongado

Durante almacenamiento prolongado en entornos donde la temperatura ambiente es: -15 °C a 30 °C [5 °F a 86 °F], cargue la batería del UPS cada seis meses.

Durante almacenamiento prolongado en entornos donde la temperatura ambiente sea: 30 °C a 45 °C [86 °F a 113 °F], cargue la batería del UPS cada tres meses.

4.3 Reciclado del Equipo Usado

Para información acerca de la eliminación adecuada del equipo usado, póngase en contacto con su centro local de reciclado o residuos peligrosos.



Peligro: Hay niveles de voltaje peligrosos dentro del UPS. El UPS tiene una fuente de alimentación interna (la batería). En consecuencia, los tomacorrientes pueden estar energizados incluso si el UPS está desconectado de la fuente de alimentación de CA.



Este símbolo indica que no debe desechar el UPS, o las baterías del UPS en la basura. Este producto contiene baterías selladas de plomo-ácido y debe desecharse correctamente. Para información adicional, póngase en contacto con su centro local de reciclado / reutilización de desechos peligrosos.



Este símbolo indica que no debe desechar residuos de equipos eléctricos o electrónicos (WEEE) en la basura. Para una eliminación adecuada, para mayor información, póngase en contacto con su centro local de reciclado y reutilización de desechos peligrosos.

Chapter 5 Solución de Problemas

5.1 Alarmas Acústicas y Condiciones

El sistema UPS de la Serie de Tripp Lite tiene una función de alarma acústica para alertarle de potenciales problemas de energía. Cuando la alarma está activada, la alarma suena a intervalos diferentes de acuerdo con una condición particular. Use la [Table 3](#) para determinar y resolver las alarmas y condiciones del UPS.

Table 3. Solución de Problemas

Problem	Possible Cause	Solutions
No LEDs are displayed on the front panel	El UPS no está encendido	Verifique que el UPS esté conectado a una fuente de alimentación válida y presione nuevamente el botón de encendido.
	El voltaje de la batería es demasiado bajo	Cargue la batería al menos seis horas.
	Falla de la batería	Reemplace la batería.
El UPS está siempre en modo de respaldo por batería	El cable de alimentación está desconectado	Verifique que el UPS esté conectado a una fuente de alimentación válida.
La alarma del UPS suena continuamente (Si la alarma no está desactivada en modo en línea (ver Alarma Acústica)	Sobrecarga en Modo en Línea	Retire cualquier carga innecesaria y verifique que la carga no exceda las especificaciones definidas del UPS. Si el problema persiste, póngase en contacto con el servicio de Soporte de Eaton.
	Sobrecarga en modo de Respaldo por Batería	Retire cualquier carga innecesaria y verifique que la carga no exceda las especificaciones definidas del UPS. Si el problema persiste, póngase en contacto con el servicio de Soporte de Eaton.
	Falla por corto en la salida	Desconecte la carga. Revise el equipo para detectar problemas potenciales. Conecte nuevamente los dispositivos, uno a la vez. Si el problema persiste, póngase en contacto con el servicio de soporte de Eaton.
Tiempo de respaldo demasiado corto	El voltaje de la batería es demasiado bajo	Cargue la batería al menos seis horas.
	La batería está defectuosa	Reemplace la batería.

5.2 Servicio y Soporte

Si tiene alguna pregunta o problema con el UPS, llame a su **distribuidor Local** or **al Servicio de Soporte de Eaton** a uno de los siguientes números de teléfono y solicite un representante técnico del UPS.

Estados Unidos:

1-800-356-5737

Canadá:

1-800-461-9166 ext 260

Todos los otros países:

Llame a su representante de servicio local

Tenga lista la siguiente información cuando llame al servicio de soporte de Eaton:

- Número de modelo
- Número de serie
- Número de versión (si está disponible)
- Fecha de falla o problema
- Síntomas de falla o problema
- Dirección de devolución e información de contacto del cliente

Si se requiere reparación, se le otorgará un número de Autorización de Devolución de Mercancía [RMA]. Este número debe aparecer en el exterior del paquete y en la Guía de Embarque (si corresponde). Utilice el empaque original o solicite el empaque al servicio de soporte de Eaton o a su distribuidor local. Las unidades dañadas en el embarque como resultado de un empaque inadecuado no están cubiertas por la garantía. Se enviará una unidad de reemplazo o reparación y un flete prepago para todas las unidades de la garantía.



NOTE

Para aplicaciones críticas, puede estar disponible un reemplazo inmediato. Llame al **Servicio de Soporte de Eaton** en busca del representante o distribuidor más cercano.

Chapter 6 Especificaciones

6.1 Especificaciones del Producto

Table 4. Características de Entrada

	BC350R(AG-075C)	BCR600(AG-075D)	BC850R(AG-075E)
Capacidad en VA/Watts	350 / 210	600/300	850/450
Voltaje de CA	120 V		
Rango de Voltaje de CA	95–145VAC Línea alta ajustada de 145V +/- 5% Restauración de línea alta de 140V +/- 5% Línea baja ajustada 95V +/- 5% Restauración de línea baja de 100V +/- 5%		
Amperes de CA	3A	5A	7.1A
frecuencia	50 or 60 Hz +/- 3 Hz (predeterminado 60Hz)		
Protección de entrada de CA	(1) Breaker térmico 5A	(1) Breaker térmico 7A	(1) Breaker térmico 10A
Eficiencia de línea a plena carga	>97.4%	>97.91%	>97.20%

Table 5. Características de Salida

	BC350R(AG-075C)	BC600R(AG-075D)	BC850R(AG-075E)
Voltaje nominal de salida	120V		
Salida de amperes de CA	2.9A (Nom); 3.7A (Máx)	5A (Nom) ; 6.3A (Máx.)	7.1A (Nom); 8.9A (Máx.)
Voltaje de salida de CA (Modo en Línea)	120V (sigue el voltaje de entrada 95VCA ~ 145VCA)		
Voltaje de salida de CA (Modo de Respaldo por Batería)	120V		
Forma de onda de CA de salida (Modo en Línea)	Onda sinusoidal (Modo de CA)		
Forma de onda de CA de salida (Modo de Respaldo por Batería)	Onda sinusoidal modificada (Modo de Respaldo por Batería)		
Frecuencia	50Hz o 60Hz sigue la frecuencia de entrada de CA El arranque en frío por batería es sólo 60Hz		
Tiempo de transferencia de CA a CD	4 ~ 6 ms (Máx. < 10 ms)		

Table 6. Características de Protección

	BC350R(AG-075C)	BC600R(AG-075D)	BC850R(AG-075E)
Valor nominal de joules de supresión CA del UPS	190 (AC)		
Tiempo de respuesta de supresión de CA del UPS	Instantáneo		
Protección contra sobrecargas	Modo en Línea: 110% - Ingrese la falla después de cinco minutos; 120% - Ingrese la falla inmediatamente. Modo de Respaldo por Batería: 110% apagado en cinco segundos; 120% apagado inmediato		

Table 7. Características de la Batería

	BC350R(AG-075C)	BC600R(AG-075D)	BC850R(AG-075E)
Tipo de batería	Baterías de plomo-ácido selladas, libres de mantenimiento		
Voltaje / Ah de la batería	Cant. (1) 12V / 2.8Ah	Cant. (1) 12V / 3.6Ah	Cant. (1) 12V / 6Ah
Corriente de carga de la batería	.5A		
Voltaje en flotación de la batería	13.7 VDC		
Tiempo de recarga	8 horas		
Tiempo de autonomía	2 min / plena carga 7 min / media carga	1.2 min / plena carga 5 min / media carga	1.7 min / plena carga 8 min / media carga
Voltaje de apagado por bajo voltaje	9.8V todos los niveles de carga		
Voltaje mínimo para arranque en frío	11V		
Batería hot-swap	No		

Table 8. Ambiente

	BC350R(AG-075C)	BC600R(AG-075D)	BC850R(AG-075E)
Humedad	De 0% ~ 95% de HR @ 0 °C ~ 40 °C (sin condensación)		
Ruido audible	<40 dBA (1 m del lado frontal)		
Temperatura de almacenamiento	-15 °C a 50 °C		
Temperatura de Operación	0 °C a 50 °C		
Elevación de operación	0 ~ 2000 m		

Table 9. Pesos y Dimensiones

	BC350R(AG-075C)	BC600R(AG-075D)	BC850R(AG-075E)
Peso Neto, kg [lb]	2.1 kg [4.6 lb]	2.2 kg [4.8 lb]	3.2 kg [7 lb]
Al x An x Pr, pulgadas [cm]	2.2 x 10.0 x 7.0 (5.8 x 25.5 x 18.0)		3.1 x 11.0 x 7.0 (8.0 x 28.0 x 18.0)

Table 10. Estándares y Cumplimiento

	BC350R(AG-075C)	BC600R(AG-075D)	BC850R(AG-075E)
Certificaciones del producto	CSA C22.2 N° 107.3 (CAN); UL1778 (EE UU) ; NOM (México)		
Compatibilidad	Energy Star; ROHS; FCC Class B, DOE, CEC		

Table 11. Electrical Input Connections

	BC350R(AG-075C)	BC600R(AG-075D)	BC850R(AG-075E)
Cable de línea	1.52 m [5 Pies] a NEMA 5–15P ; ángulo recto		

Table 12. Electrical Output Connections

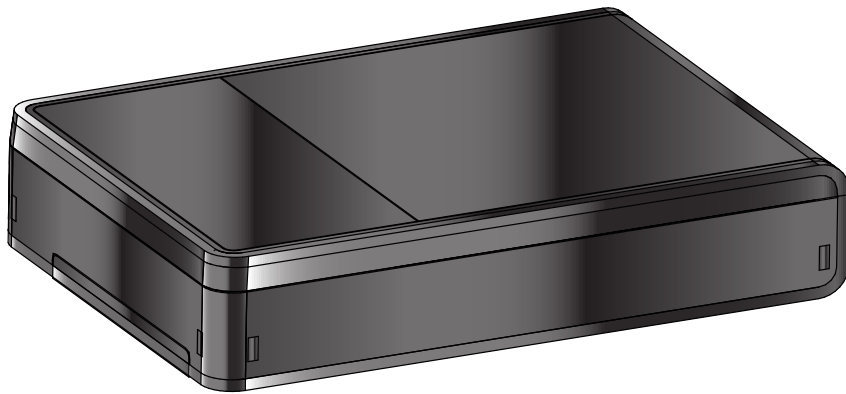
	BC350R(AG-075C)	BC600R(AG-075D)	BC850R(AG-075E)
Cantidad y tipo de tomacorrientes	Tres tomacorrientes NEMA 5–15 con supresión de sobretensiones + respaldo por batería	Cuatro tomacorrientes NEMA 5–15 con supresión de sobretensiones + respaldo por batería	Cinco tomacorrientes NEMA 5–15 con supresión de sobretensiones + respaldo por batería



93470A A

Onduleurs Tripp Lite Series

Guide de l'utilisateur avancé



BC350R (AG-075C)
BC600R (AG-075D)
BC850R (AG-075E)

Consignes de sécurité

CONSERVEZ CES INSTRUCTIONS.

Ce manuel contient des consignes de sécurité importantes **qui doivent être respectées pendant l'installation et l'entretien de l'onduleur et des batteries.**

Avis de la FCC :

Tout changement ou toute modification apportés sans l'autorisation expresse de l'autorité responsable de la conformité pourrait annuler le droit de l'utilisateur d'utiliser cet équipement. Ce matériel a été testé et trouvé conforme aux restrictions applicables à un appareil numérique de classe B, conformément à la partie 15 des règlements de la FCC. Ces restrictions sont conçues pour assurer une protection raisonnable contre les perturbations nuisibles dans une installation résidentielle. Cet équipement génère, utilise et peut radier de l'énergie radiofréquence et, s'il n'est pas installé et utilisé en conformité avec les instructions, peut causer des perturbations nuisibles aux communications radio. Il n'y a, toutefois, aucune garantie que les interférences ne se produiront pas dans une installation particulière. Si cet équipement cause des interférences nuisibles à la réception des signaux radio et de télévision, ce qui peut être déterminé en fermant et en ouvrant (ON/OFF) l'équipement, nous recommandons à l'utilisateur de tenter d'éliminer les interférences en prenant une ou plusieurs des mesures suivantes :

- Réorienter ou repositionner l'antenne réceptrice.
- Augmenter la distance entre l'équipement et le récepteur.
- Brancher l'équipement à une prise sur un circuit différent de celui sur lequel le récepteur est branché.
- Consulter le fournisseur ou un technicien radio/télévision pour obtenir de l'aide.

Déclaration de conformité des fournisseurs

Identifiant unique : EATON, BC350R (AG-075C), BC600R (AG-075D), BC850R (AG-075E)

Partie responsable :

EATON
10000 Woodward Ave
Woodridge, IL 60517 USA
773-869-1111

tripplite.eaton.com

Déclaration de conformité de la FCC :

Cet appareil est conforme à la partie 15 des règles de la FCC. Le fonctionnement est soumis aux deux conditions suivantes :

1. Cet appareil ne peut pas causer d'interférences et
2. cet appareil doit accepter toute interférence reçue, y compris les interférences pouvant causer un fonctionnement indésirable.

Avis du Canada sur l'Innovation, la science et le développement économique

Cet appareil numérique de classe B est conforme à la norme canadienne ICES-003.

CAN-ICES-003(B) / NMB-003(B)

©Copyright 2023 Eaton, Raleigh, NC, USA. All rights reserved. No part of this document may be reproduced in any way without the express written approval of Eaton.

Symboles spéciaux

Voici des exemples de symboles utilisés sur le produit pour avertir l'utilisateur d'informations importantes :



Danger: Des niveaux de tension dangereux sont présents à l'intérieur de l'onduleur. L'onduleur a sa propre source d'alimentation interne (la batterie). Par conséquent, les prises de courant peuvent être sous tension même si l'onduleur est débranché de la source d'alimentation CA.



Des instructions importantes qui doivent toujours être respectées.

MISE EN GARDE : Les batteries peuvent présenter un risque de choc énergétique, de décharge électrique ou de brûlures causées par les courants élevés des courts-circuits. Prendre les précautions appropriées. Les batteries peuvent contenir des HAUTES TENSIONS et des substances CORROSIVES, TOXIQUES et EXPLOSIVES. Ne pas jeter de batteries dans le feu, car elles risqueraient d'exploser.



Ce symbole indique de ne pas jeter l'onduleur ou les batteries de l'onduleur dans la poubelle. Ce produit contient des batteries au plomb-acide scellées et doit être mis au rebut correctement. Pour plus d'informations, contacter le centre local de recyclage/réutilisation ou de déchets dangereux.



Ce symbole indique qu'il ne faut pas jeter les déchets d'équipements électriques ou électroniques (DEEE) dans les ordures. Pour l'élimination adéquate, contacter le centre local de recyclage/réutilisation ou de traitement des déchets dangereux pour plus d'informations.

Instructions concernant les batteries

- La tension interne des batteries est 12 V CC. Batterie à 6 cellules, au plomb-acide, scellée.
- • Risque de chocs électriques. Toutes les réparations et le service doivent être confiés UNIQUEMENT À DU PERSONNEL DE SERVICE AUTORISÉ. Il n'existe AUCUNE PIÈCE RÉPARABLE PAR L'UTILISATEUR à l'intérieur de l'onduleur. Le circuit des batteries n'est pas isolé de l'entrée CA du secteur.
- Enlever les montres, les bagues et tout autre objet métallique des mains.
- Porter des gants et des bottes en caoutchouc.
- Utiliser des outils ayant des poignées isolées.
- Le système doit être correctement mis à la terre en tout temps.
- La batterie fournie avec le système contient de petites quantités de matériaux toxiques. Pour éviter les accidents, respecter les directives suivantes :
 - Le remplacement des batteries devrait être effectué ou supervisé par du personnel compétent dans le domaine des batteries et en tenant compte des mesures de sécurité appropriées.
 - Au moment de remplacer les batteries, les remplacer avec le même type et le même nombre de batteries ou de modules de batteries.
 - Ne pas jeter de batteries dans le feu. Les batteries risqueraient d'exploser.
 - Les batteries constituent un danger (décharge électrique et brûlures). Le courant du court-circuit peut être très élevé.
- Des précautions doivent être prises lors de toutes les manipulations. Une batterie peut présenter un risque de décharge électrique et un courant élevé du court-circuit. Les précautions suivantes doivent être observées lorsque l'on manipule les batteries :
 - Ne pas déposer d'outils ou de pièces métalliques sur les batteries.
 - Débrancher la source de chargement avant de brancher ou débrancher les bornes des batteries.

- Retirer les mises à la terre de la batterie pendant l'installation et l'entretien pour réduire la probabilité de décharge.
- Assurez-vous que la batterie n'est pas mise à la terre. Si c'est le cas, enlever la source de la mise à la terre. Tout contact avec une partie d'une batterie mise à la terre pourrait causer une décharge électrique. La probabilité d'une telle décharge peut être réduite si les mises à la terre sont enlevées durant

Sécurité du produit

- Tout changement ou toute modification apportés sans l'autorisation expresse de l'autorité responsable de la conformité peut annuler le droit de l'utilisateur d'utiliser cet équipement.
- Pour raccorder l'onduleur, les instructions et le fonctionnement décrits dans le manuel doivent être respectés dans l'ordre indiqué.
- Vérifier que les indications sur la plaque signalétique correspondent au système d'alimentation CA et à la consommation électrique réelle de tout l'équipement à raccorder au système.
- Ce type d'équipement à alimentation sans coupure avec la batterie déjà installée par le fournisseur peut être utilisé et installé par l'utilisateur final.
- Pour l'ÉQUIPEMENT ÉLECTRIQUE, la prise de courant doit être installée à proximité de l'équipement et doit être facilement accessible.
- Ne jamais installer le système à proximité de liquides ou dans un environnement excessivement humide. Cet équipement ne doit être utilisé que dans un environnement intérieur sec.
- Pendant l'installation de cet équipement, il convient de supposer que la somme des courants de fuite de l'onduleur et des charges connectées ne dépasse pas 3,5 mA.
- Cet appareil est conçu pour une installation dans un environnement contrôlé (dans un environnement intérieur exempt de contaminants conducteurs où la température est contrôlée). Éviter d'installer l'onduleur dans un lieu exposé à l'eau ou contenant un niveau d'humidité trop élevé.
- La connexion à tout autre type de prise autre qu'une prise à trois pôles mise à la masse à trois fils peut entraîner des risques de décharge électrique et enfreindre les codes électriques locaux
- S'assurer que le système est exempt de contaminants, que la zone environnante est exempte de débris et de l'absence de toute substance étrangère dans le système.
- En cas d'urgence, appuyer sur le bouton « OFF » (arrêt), puis débrancher le cordon d'alimentation de l'alimentation CA pour désactiver correctement l'onduleur.
- Ne jamais bloquer les événements de refroidissement du système..
- Ne pas laisser des liquides entrer dans l'onduleur. Ne placer aucune boisson ou aucun autre récipient contenant des liquides sur l'appareil ou à proximité de celui-ci.
- Ne jamais exposer le système à la lumière directe du soleil ou à une source de chaleur.
- Entreposer le système dans un endroit sec avant de l'installer, si un entreposage s'avère nécessaire.
- Ne pas brancher l'entrée de l'onduleur dans sa propre sortie.
- Ne pas raccorder une barre d'alimentation ou un parasurtenseur à l'onduleur.
- Ne pas raccorder de l'équipement non lié à l'informatique, comme de l'équipement médical, de l'équipement de survie, des micro-ondes ou des aspirateurs à l'onduleur.
- Débrancher l'onduleur avant le nettoyage et ne pas utiliser de liquide ou de détergent à pulvériser.
- Pour réduire le risque de surchauffe de l'onduleur, ne pas couvrir les événements de refroidissement de l'appareil et éviter d'exposer l'onduleur à la lumière directe du soleil ou d'installer l'appareil à proximité d'appareils de chauffage tels que des chaufferettes ou des chaudières.

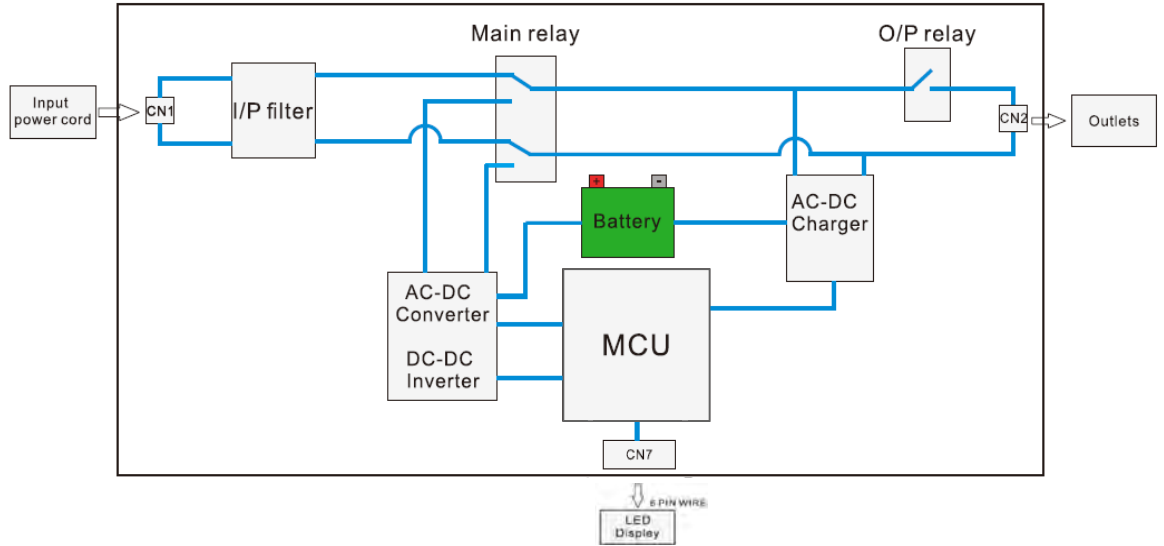
Table of Contents

1 Introduction	1
1.1 Aperçu	1
1.2 Contenu de l'emballage	2
1.3 Dimensions	2
1.4 Caractéristiques physiques	3
2 Installation	5
2.1 Installation de l'onduleur	5
2.2 Option de montage sécurisé	5
2.3 Installation de montage standard	6
2.4 Installation avec montage VESA	6
2.5 Installation à montage mural	7
3 Fonctionnement	9
3.1 Mode standard	9
3.2 Mise sous tension de l'onduleur	9
3.3 Démarrage à froid	9
3.4 Mise hors tension de l'onduleur	9
3.5 Activation/désactivation de l'alarme sonore	9
3.6 Voyants à DEL	10
4 Entretien de l'onduleur	11
4.1 Remplacement de la batterie	11
4.2 Entreposage	13
4.3 Recyclage de l'équipement usagé	13
5 Dépannage	15
5.1 Alarmes audibles et conditions	15
5.2 Service et assistance	16
6 Caractéristiques techniques	17
6.1 Caractéristiques techniques du produit	17

Table of Contents

Chapter 1 Introduction

1.1 Aperçu



L'onduleur de secours fournit une batterie de secours fiable et une protection de l'alimentation CA contre les pannes d'électricité, les baisses de tension, les surtensions et les bruits de ligne qui peuvent endommager des appareils électroniques précieux ou détruire des données. La batterie de secours de 120 V à 3, 4 et 5 prises est une protection idéale pour le bureau à domicile, un centre multimédia ou un kiosque professionnel, les applications de sécurité et de téléphone de petite entreprise, les ordinateurs, les routeurs, les imprimantes, les téléviseurs HD, les lecteurs Blu-ray, les consoles de jeux, les guichets automatiques, les systèmes de sécurité et les équipements d'affichage numérique.

La prise en charge de secours permet de faire face à de courtes pannes de courant et donne suffisamment de temps pour sauvegarder les fichiers en toute sécurité et mettre le système hors tension en cas de panne d'électricité prolongée. Le temps de sauvegarde varie en fonction de la charge, mais l'onduleur devrait garder un ordinateur de bureau économe en énergie avec un petit moniteur ACL alimenté jusqu'à 13 minutes. En mode en ligne, l'alimentation du secteur entrant maintient la batterie interne remplaçable complètement chargée, de sorte que l'alimentation de secours sera toujours disponible. Une valeur d'efficacité élevée (> 97 %) en mode en ligne réduit les émissions de BTU, la consommation d'énergie et les coûts énergétiques.

Diverses sources électromagnétiques et radio présentes dans pratiquement chaque maison et entreprise peuvent causer des interférences perturbatrices sur la ligne CA. Appelé interférence électromagnétique (EMI) et interférence par radiofréquence (RFI), ce bruit de ligne est une cause courante de problèmes de performance et peut causer des dommages matériels incriminables, la corruption des données et des problèmes de transmission audio/vidéo. L'onduleur incorpore une technologie qui filtre les bruits de ligne perturbateurs de façon à ce qu'ils ne nuisent pas à l'équipement.

Les autres caractéristiques clés incluent :

- Batterie remplaçable par l'utilisateur.
- Boîtier compact avec option d'installation facile sur un dessus de bureau ou murale.
- L'alarme reste silencieuse en mode de sauvegarde, retentissant uniquement lorsque nécessaire.
- Redémarrage automatique pendant la récupération CA.
- Protection contre les surcharges lors du fonctionnement en mode CA et en mode batterie.

Contenu de l'emballage

- Protection hors plage de la tension d'entrée.

1.2 Contenu de l'emballage

Table 1. Contenu de l'emballage

Table des matières
Onduleur
Manuel de démarrage rapide
Quatre vis de montage VESA Phillips M4 x 12 mm
Quatre vis de montage mural autotaraudeuses Phillips M4 x 20 mm

1.3 Dimensions

Figure 1. BC350R(AG-075C) et BC600R(AG-075D) Dimensions

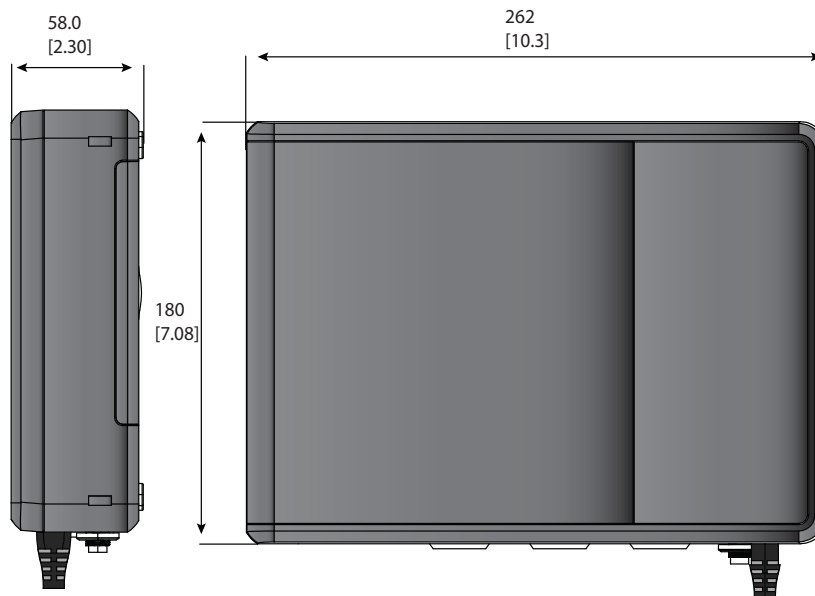
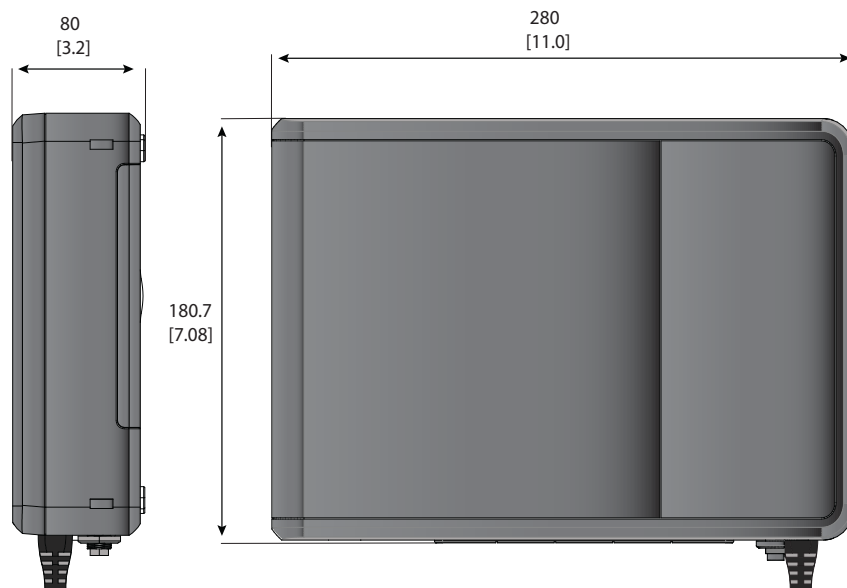
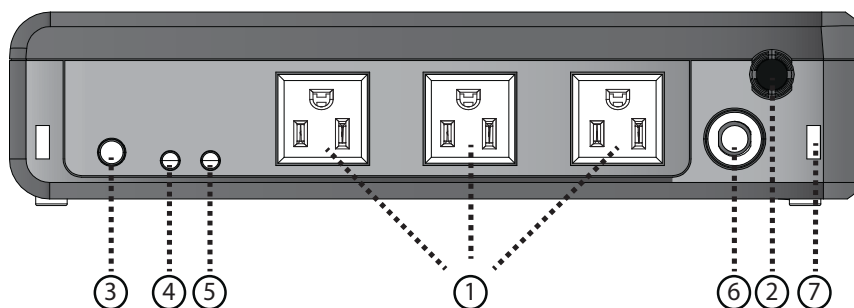


Figure 2. BC850R(AG-075E) Dimensions



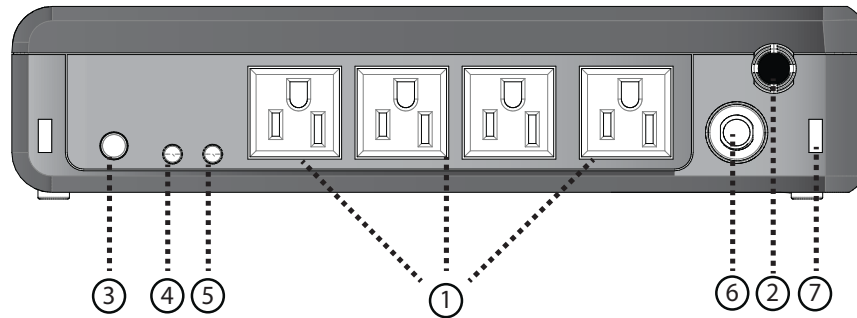
1.4 Caractéristiques physiques

Figure 3. BC350R(AG-075C)



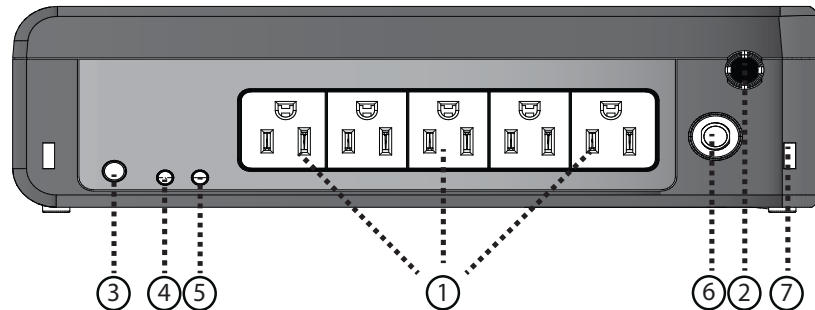
- | | |
|---|-------------------------------------|
| ① Batterie de secours et prises protégées | ⑤ Voyant à DEL rouge |
| ② contre les surtensions cordon de ligne | ⑥ Disjoncteur |
| ③ Interrupteur d'alimentation | ⑦ sécurisé de la gestion des câbles |
| ④ Voyant à DEL vert | |

Figure 4. BC600R(AG-075D)



- | | |
|---|-------------------------------------|
| ① Batterie de secours et prises protégées | ⑤ Voyant à DEL rouge |
| ② contre les surtensions cordon de ligne | ⑥ Disjoncteur |
| ③ Interrupteur d'alimentation | ⑦ sécurisé de la gestion des câbles |
| ④ Voyant à DEL vert | |

Figure 5. BC850R(AG-075E)



- | | |
|---|-------------------------------------|
| ① Batterie de secours et prises protégées | ⑤ Voyant à DEL rouge |
| ② contre les surtensions cordon de ligne | ⑥ Disjoncteur |
| ③ Interrupteur d'alimentation | ⑦ sécurisé de la gestion des câbles |
| ④ Voyant à DEL vert | |

Chapter 2 Installation

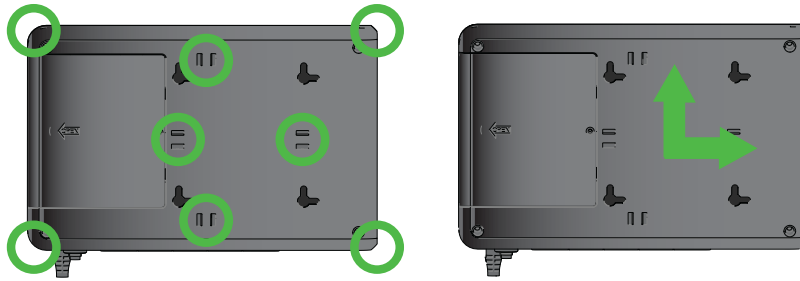
2.1 Installation de l'onduleur

L'onduleur de la série Tripp Lite peut être installé dans différentes orientations, comme décrit dans ce chapitre. Retirer l'onduleur de son emballage et l'inspecter à la recherche de dommages qui auraient pu survenir pendant l'expédition. Si des dommages sont découverts, remballer l'onduleur, puis contacter le **distributeur local** ou l'**assistance** Eaton.

2.2 Option de montage sécurisé

Les points de montage sûrs sur l'onduleur permettent le montage vertical ou horizontal avec des attaches mono-usage.

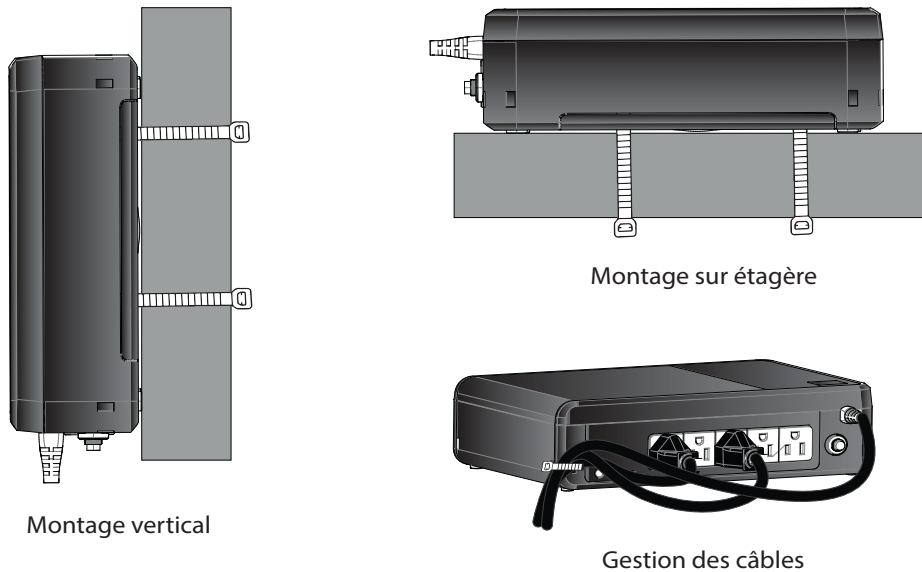
Figure 6. Points de montage sûrs



NOTE

Les flèches sur l'étiquette inférieure de l'onduleur indiquent l'orientation à respecter lors de l'installation de l'appareil.

Figure 7. Option de gestion des câbles et de montage sécurisé



Montage vertical

Montage sur étagère

Gestion des câbles

2.3 Installation de montage standard

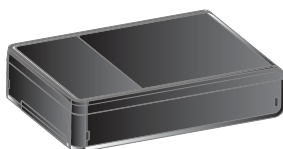
L'onduleur de la série Tripp Lite peut être installé dans l'orientation de montage standard suivante.



NOTE

Ne pas installer l'appareil sur ses côtés, sa face avant ou arrière. L'onduleur peut devenir instable et basculer, causant des dommages au produit.

Figure 8. Montage standard



2.4 Installation avec montage VESA



Les vis VESA M4 x 12 mm (fournies) peuvent ne pas être compatibles avec tous les modèles de moniteur. Consulter le manuel d'utilisation du moniteur pour les caractéristiques techniques concernant la profondeur de vis et le poids de l'équipement pour les applications de montage VESA.

L'onduleur a des trous de serrure arrière espacés de 100 mm pour un montage VESA optionnel dans une position verticale ou horizontale.

Pour monter :

1. Installer les quatre vis de montage VESA M4 x 12 mm (fournies) dans les trous désirés à l'arrière du moniteur en laissant les vis dépasser d'environ 50,8 mm (0,28 po).
2. Centrer les ouvertures de trou de serrure de l'onduleur sur les têtes de vis, puis pousser vers le moniteur, puis vers le bas légèrement pour le verrouiller sur les vis.

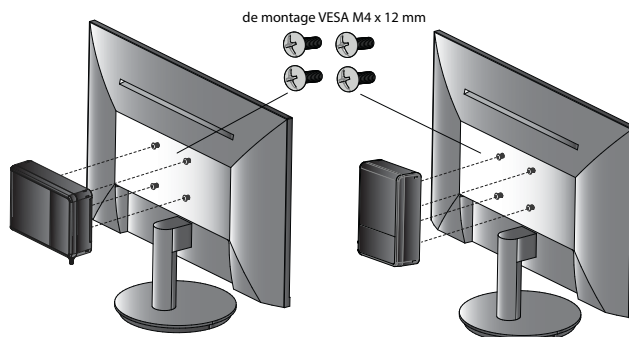


NOTE

Les flèches sur l'étiquette inférieure de l'onduleur indiquent l'orientation à respecter lors de l'installation de l'appareil. Consulter la [Figure 6](#).

3. Pour détacher l'onduleur du moniteur, pousser légèrement vers le haut dans la partie inférieure de l'onduleur pour le relâcher du moniteur.
4. Soulever délicatement l'onduleur du moniteur.

Figure 9. Installation avec montage VESA



2.5 Installation à montage mural

⚠ WARNING

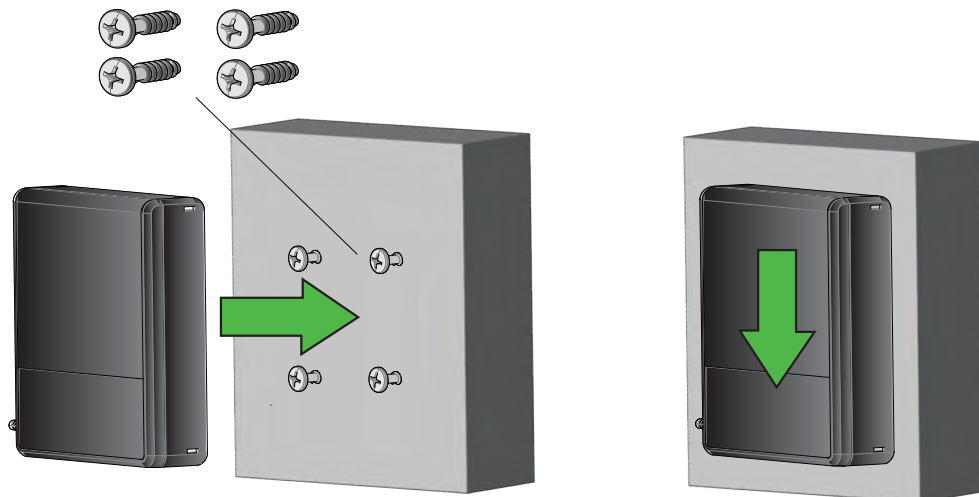
L'onduleur de la série Tripp Lite inclut quatre vis autotaraudeuses Phillips M4 x 20 mm qui devraient être installées directement au centre d'un montant mural en bois pour monter l'onduleur dans une orientation verticale ou horizontale. Utiliser des méthodes d'ancrage appropriées pour d'autres types de matériaux muraux pour s'assurer que l'onduleur est solidement monté et soutenu.



NOTE

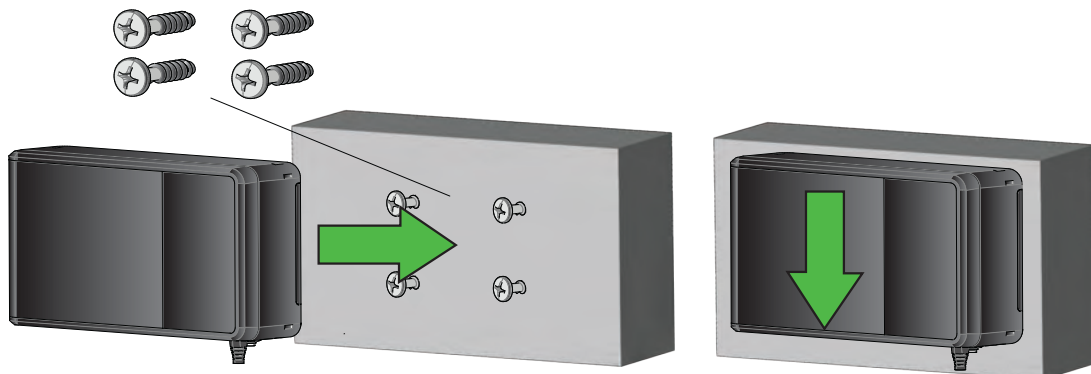
Les flèches sur l'étiquette inférieure de l'onduleur indiquent l'orientation à respecter lors de l'installation de l'appareil. Consulter la [Figure 6](#).

Vis autotaraudeuses Phillips M4 x 20 mm



Montage mural vertical

Vis autotaraudeuses Phillips M4 x 20 mm



Montage mural horizontal

Pour retenir l'onduleur en place, suivre les étapes ci-dessous :

1. Mesurer et marquer les emplacements des trous sur le mur. Utiliser un tournevis pour installer les vis dans le mur, en laissant les vis dépasser de 7,6 mm (0,28 po).

Figure 10. Dimensions des trous de montage mural BC350R(AG-075C)/BC600R(AG-075D)

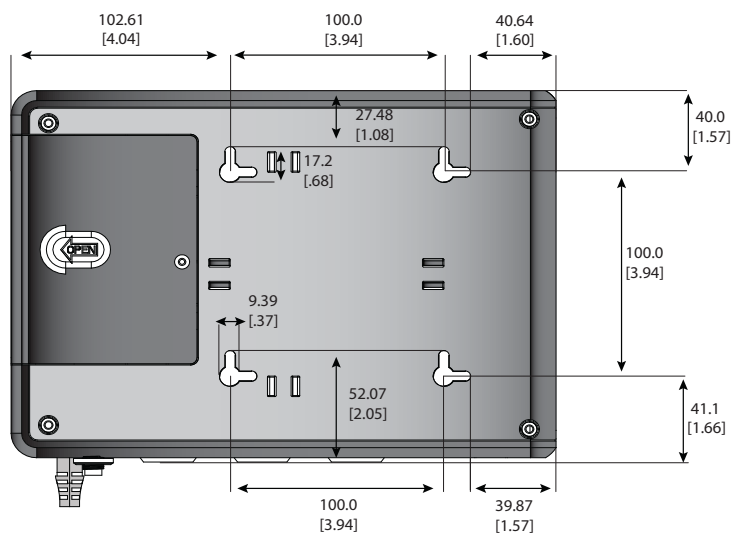
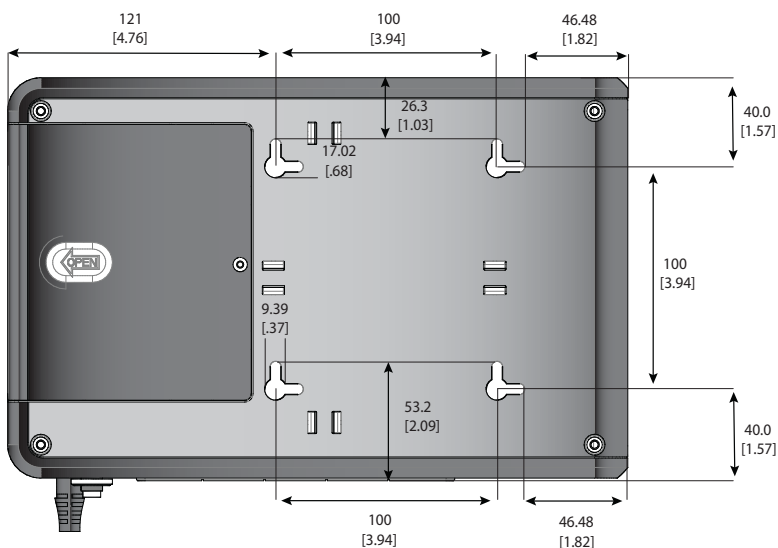


Figure 11. BC850R(AG-075E) Dimensions des trous de montage mural



2. Centrer les ouvertures de trou de serrure de l'onduleur sur les têtes de vis, puis pousser vers le mur, puis vers le bas légèrement pour le verrouiller sur les vis.
3. Pour détacher l'onduleur du mur, pousser légèrement vers le haut dans la partie inférieure de l'onduleur pour le dégager du mur.
4. Soulever délicatement l'onduleur du mur.

Chapter 3 Fonctionnement

3.1 Mode standard

Lorsque l'onduleur est mis hors tension et branché dans une prise murale ou une autre source d'alimentation, l'onduleur se trouve en mode attente. Le voyant de mise sous tension est hors tension, indiquant que l'alimentation n'est pas disponible depuis les prises arrière.

3.2 Mise sous tension de l'onduleur

Pour le démarrage CA normal de l'onduleur, suivre les étapes suivantes :

1. Brancher le cordon d'alimentation CA de l'onduleur dans une prise murale NEMA 5-15R correctement mise à la terre.
2. Appuyez légèrement sur le bouton d'alimentation pendant deux secondes pour démarrer l'onduleur en mode normal. L'onduleur émet un bip et la LED verte s'allume et reste allumée. Voir 1.4 Caractéristiques physiques pour une illustration du vert Emplacement de l'indicateur LED sur le panneau arrière.
3. Brancher l'équipement de charge dans les prises à l'arrière de l'onduleur. Ces prises fournissent des capacités de surtension et de batterie de secours.



NOTE

L'onduleur de la série Tripp Lite est conçu pour supporter uniquement l'équipement électronique. L'onduleur deviendra surchargé si la valeur VA nominale totale en volts-ampères pour tous les équipements branchés aux sorties excède la capacité de sortie de l'onduleur. Pour déterminer la valeur VA nominale de l'équipement, consulter sa plaque signalétique. Si les équipements indiquent une valeur en ampères, multiplier le nombre en ampères par 120 V pour déterminer la valeur VA. Par exemple $1 \text{ A} \times 120 = 120 \text{ VA}$. En cas d'incertitude par rapport à la surcharge des prises de courant, débrancher une partie de l'équipement.

4. Enregistrer l'onduleur sur tripplite.eaton.com.

3.3 Démarrage à froid

Pour allumer l'onduleur sans alimentation, maintenez enfoncé le bouton ON/OFF pendant deux secondes. L'UPS bip et le voyant vert clignote toutes les dix secondes, indiquant qu'il est alimenté par batterie.



NOTE

L'onduleur ne détecte pas automatiquement la fréquence d'entrée lors du démarrage en mode batterie. La fréquence par défaut pour les modèles de 120 V est 60 Hz.

3.4 Mise hors tension de l'onduleur

Pour éteindre l'onduleur, appuyez sur le bouton ON/OFF du panneau avant et maintenez-le enfoncé pendant deux secondes, l'onduleur émettra un bip indiquant qu'il est en mode veille. Débranchez l'onduleur de la source d'alimentation. Si vous ne débranchez pas l'onduleur, il reste en mode veille.

3.5 Activation/désactivation de l'alarme sonore


Les commandes d'alarme sonore de l'onduleur fonctionnent indépendamment du mode en ligne au mode batterie et peuvent être activées ou désactivées dans les modes de fonctionnement suivants :

Mode en ligne


- *Pour désactiver de façon permanente toutes les tonalités d'alarme pour le mode en ligne et le mode batterie, appuyer sur le bouton d'alimentation et le maintenir enfoncé pendant dix secondes. Le voyant à DEL rouge clignotera et la tonalité de l'alarme de l'onduleur se fera entendre, indiquant que l'alarme est maintenant désactivée.*

- *Pour activer* la tonalité de l'alarme en mode en ligne, appuyer sur le bouton d'alimentation et le maintenir enfoncé pendant dix secondes. Le voyant à DEL vert clignotera et la tonalité de l'alarme de l'onduleur se fera entendre, indiquant que l'alarme est activée.

Mode batterie

 **NOTE** Le paramètre par défaut pour la tonalité de l'alarme du mode batterie est désactivé. La valeur par défaut du mode en ligne doit être configurée à enabled (activé) avant de changer les paramètres de l'alarme de batterie. Les tonalités d'alarme sonore sur batterie peuvent être activées ou désactivées uniquement en mode batterie. Les changements d'alarme en mode batterie n'ont pas d'effet sur le réglage du mode en ligne.

- *Pour désactiver* la tonalité de l'alarme en mode batterie, appuyer sur le bouton d'alimentation et le maintenir enfoncé pendant cinq secondes. Le voyant à DEL vert clignotera et la tonalité de l'alarme de l'onduleur se fera entendre, indiquant que l'alarme a été désactivée.
- *Pour activer* la tonalité de l'alarme en mode batterie, appuyer sur le bouton d'alimentation et le maintenir enfoncé pendant cinq secondes. Le voyant à DEL vert clignotera et la tonalité de l'alarme de l'onduleur se fera entendre, indiquant que l'alarme a été activée.

 **NOTE** Pour vérifier l'état de l'alarme, tester l'onduleur sur l'alimentation par batteries.

3.6 Voyants à DEL

Le panneau arrière de l'onduleur de la série Tripp Lite indique l'état de l'onduleur via les voyants à DEL de l'onduleur. illustre l'état des voyants à DEL et le mode opérationnel de l'onduleur.

Table 2. État des voyants à DEL

État des voyants à DEL	Alarme	État de l'onduleur
Vert (sous tension)	Off (hors tension)	Fonctionnement en mode en ligne normal
Vert (clignotant)	Off (hors tension)	Fonctionnement en mode batterie
Vert (clignotant) Rouge (allumé)	Retentissant toutes les secondes	Batterie faible
Vert (éteint)	Off (hors tension)	L'onduleur est hors tension.
Rouge (sous tension)	Son continu	Anomalie de l'onduleur (consulter le)

Chapter 4 Entretien de l'onduleur

4.1 Remplacement de la batterie

⚠ DANGER

Risque de chocs électriques. Toutes les réparations et le service doivent être confiés **UNIQUEMENT À DU PERSONNEL DE SERVICE QUALIFIÉ**. Il n'existe **AUCUNE PIÈCE RÉPARABLE PAR L'UTILISATEUR** à l'intérieur de l'onduleur. Le circuit des batteries n'est pas isolé de l'entrée du secteur CA.

⚠ WARNING

Remplacer la batterie de l'onduleur **UNIQUEMENT** par une batterie fournie par Eaton! S'assurer que l'onduleur a été mis hors tension et isolé en toute sécurité de l'alimentation d'entrée CA avant de remplacer la batterie. Bien que l'onduleur puisse être débranché de l'alimentation du secteur, une tension dangereuse peut toujours être présente par le biais de la batterie de l'onduleur. Utiliser des outils ayant des poignées isolées.

Ne pas raccorder ou débrancher la batterie à moins que la zone ne soit connue pour être exempte de source inflammable.

La batterie de l'onduleur a une durée de vie de 3 à 5 ans. La durée de vie varie en fonction de la fréquence d'utilisation et de la température ambiante. Les batteries utilisées au-delà de la durée de vie utile prévue donneront souvent lieu à une durée de fonctionnement considérablement réduite. Remplacer les batteries au moins tous les cinq ans pour permettre à l'onduleur de fonctionner au maximum de son efficacité.

Figure 12. Remplacement des batteries BC350R(AG-075C)/BC600R(AG-075D)

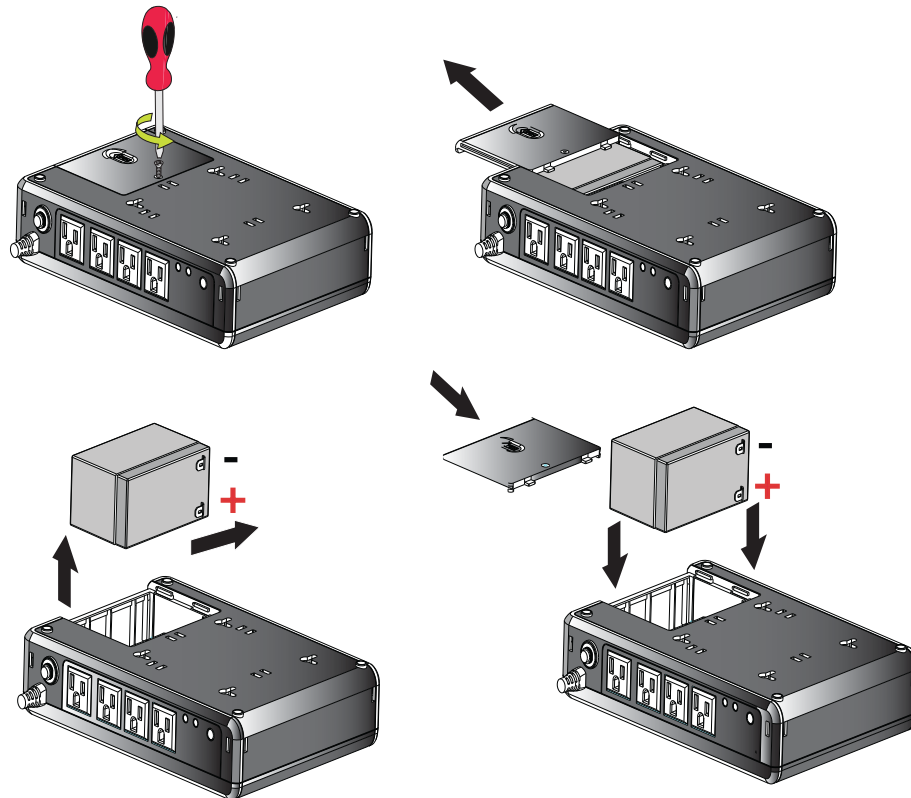
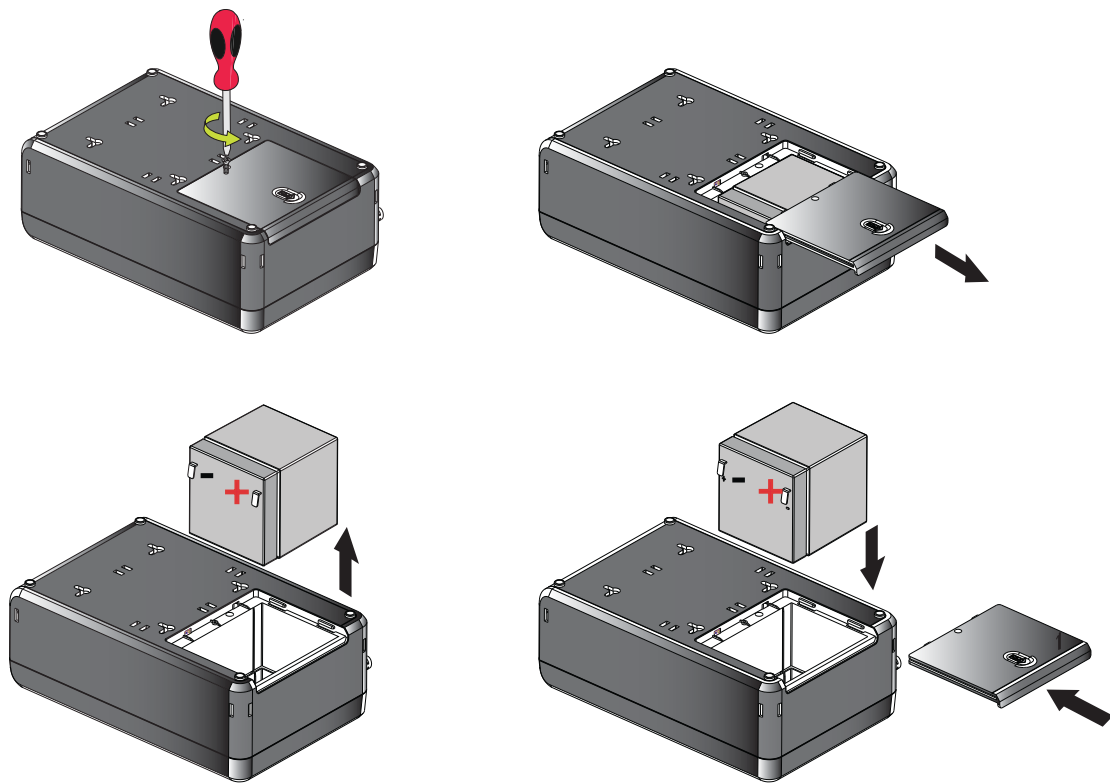


Figure 13. Remplacement des batteries BC850R(AG-075E)



CAUTION

Fixer solidement les câbles de la batterie à l'écart lors du retrait et de l'installation de la batterie de façon à ce qu'ils ne soient pas endommagés pendant le processus de remplacement de la batterie. Utiliser des outils correctement isolés lors du retrait et de l'installation de la batterie.

1. Retirer la vis qui retient le couvercle de la batterie en place, puis mettre la vis de côté dans un endroit sûr pour éviter qu'elle ne tombe à l'intérieur de l'onduleur, puis retirer le couvercle de la batterie.
2. Glisser délicatement la batterie hors de l'onduleur pour accéder à la borne négative de la batterie, puis débrancher le fil connecté à la borne négative de la batterie.
3. Tirer légèrement sur la batterie pour accéder à la borne positive de la batterie, puis débrancher le fil de la borne positive de la batterie.
4. Retirer délicatement la batterie de l'onduleur.
5. Glisser délicatement la nouvelle batterie dans l'onduleur. Raccorder fermement les fils de la batterie aux nouvelles bornes de la batterie; rouge à positif (+) suivi par noir à négatif (-).
6. Remettre le couvercle de la batterie sur l'onduleur, puis le retenir en place avec la vis du compartiment à batteries.

4.2 Entreposage

La plage de température ambiante idéale est de -15 à 50 °C (5 à 122 °F). Il est recommandé de charger l'onduleur pendant au moins huit heures, puis de ranger l'onduleur couvert et en position verticale dans un endroit frais et sec. Retirer tout accessoire et débrancher tout câble connecté à l'onduleur pour éviter le déchargement inutile de la batterie.

Stockage prolongé

Pendant un entreposage prolongé dans des environnements où la température ambiante est de -15 à 30 °C (5 à 86 °F), charger la batterie de l'onduleur tous les six mois.

Pendant un entreposage prolongé dans des environnements où la température ambiante est de 30 à 45 °C (86 à 113 °F), charger la batterie de l'onduleur tous les trois mois.

4.3 Recyclage de l'équipement usagé

Contactez le centre local de recyclage ou de déchets dangereux pour obtenir des informations sur la mise au rebut appropriée de l'équipement usagé.



Danger: Des niveaux de tension dangereux sont présents à l'intérieur de l'onduleur. L'onduleur a sa propre source d'alimentation interne (la batterie). Par conséquent, les prises de courant peuvent être sous tension même si l'onduleur est débranché de la source d'alimentation CA.



Ce symbole indique de ne pas jeter l'onduleur ou les batteries de l'onduleur dans la poubelle. Ce produit contient des batteries au plomb-acide scellées et doit être mis au rebut correctement. Pour plus d'informations, contactez le centre local de recyclage/réutilisation ou de déchets dangereux.



Ce symbole indique qu'il ne faut pas jeter les déchets d'équipements électriques ou électroniques (DEEE) dans les ordures. Pour l'élimination adéquate, contactez le centre local de recyclage/réutilisation ou de traitement des déchets dangereux pour plus d'informations.

Chapter 5 Dépannage

5.1 Alarmes audibles et conditions

L'onduleur de la série Tripp Lite comporte une fonction d'alarme sonore pour alerter l'utilisateur de problèmes d'alimentation potentiels. Lorsque l'alarme est activée, l'alarme se fait entendre à des intervalles différents selon une condition particulière. Utiliser le pour déterminer et résoudre les alarmes et les conditions de l'onduleur.

Table 3. Dépannage

Problem	Possible Cause	Solutions
No LEDs are displayed on the front panel	L'onduleur n'est pas sous tension	Vérifier que l'onduleur est connecté à une source d'alimentation valide, puis appuyer de nouveau sur le bouton d'alimentation.
	La tension de la batterie est trop faible	Charger la batterie pendant au moins six heures.
	Défaillance de la batterie	Remplacer la batterie.
The UPS is always on battery mode	Le cordon d'alimentation est débranché.	Vérifier que l'onduleur est connecté à une source d'alimentation valide.
L'alarme de l'onduleur se fait entendre en continu (Si l'alarme n'est pas désactivée en mode en ligne (consulter de l'alarme sonore)	Surcharge en mode en ligne	Enlever toute charge inutile, puis vérifier que la charge ne dépasse pas les caractéristiques techniques définies de l'onduleur. Si le problème persiste, contacter l'assistance Eaton.
	Surcharge en mode batterie	Enlever toute charge inutile, puis vérifier que la charge ne dépasse pas les caractéristiques techniques définies de l'onduleur. Si le problème persiste, contacter l'assistance Eaton.
	Défaillance en raison d'un court-circuit au niveau de la sortie	Débrancher la charge. Vérifier l'équipement pour tout problème potentiel. Rebrancher les appareils, un à la fois. Si le problème persiste, contacter le support Eaton.
Temps de sauvegarde trop court	La tension de la batterie est trop faible.	Charger la batterie pendant au moins six heures.
	La batterie est défectueuse	Remplacer la batterie.

5.2 Service et assistance

Pour toute question ou problème avec l'onduleur, appeler le **distributeur local** or **l'assistance Eaton** à l'un des numéros de téléphone suivants, puis demander de parler à un représentant technique pour les

États-Unis :	1-800-356-5737
Canada:	1 800 461-9166 poste 260
Tous les autres pays :	Appeler le représentant de service local

Veillez disposer des informations suivantes lorsque vous appelez l'assistance Eaton :

- Numéro de modèle
- Numéro de série
- Numéro de version (le cas échéant)
- Date de la défaillance ou du problème
- Symptômes d'une défaillance ou d'un problème
- Adresse de retour du client et coordonnées

Si une réparation est requise, un numéro d'autorisation de retour de matériel (RMA) sera attribué. Ce numéro doit apparaître à l'extérieur du colis et sur le connaissance (le cas échéant). Utiliser l'emballage d'origine ou demander un emballage auprès de l'assistance Eaton ou d'un distributeur local. Les appareils endommagés lors de l'expédition en raison d'un emballage inapproprié ne sont pas couverts par la garantie. Un appareil de remplacement ou de réparation sera expédié, et le fret est prépayé pour tous les appareils garantis.



NOTE

Pour les applications critiques, un remplacement immédiat peut être disponible.
l'assistance Eaton Pour le revendeur ou le distributeur le plus proche.

Chapter 6 Caractéristiques techniques

6.1 Caractéristiques techniques du produit

Table 4. Caractéristiques de l'entrée

	BC350R(AG-075C)	BCR600(AG-075D)	BC850R(AG-075E)
Capacity VA/Watts	350 / 210	600/300	850/450
Voltage AC	120 V		
Plage de tension CA	95–145VAC Ensemble de haute ligne 145V +/- 5% Réinitialisation de haute ligne 140V +/- 5% Ensemble de ligne basse 95V +/- 5% Réinitialisation de ligne basse 100V +/- 5%		
Ampères CA	3A	5A	7.1A
fréquence	50 ou 60 Hz +/- 3 Hz (60 Hz par défaut)		
Protection d'entrée CA	(1) Disjoncteur thermique 5 A	(1) Disjoncteur thermique 7 A	(1) Disjoncteur thermique 10 A
Efficacité de ligne à pleine charge	>97.4%	>97.91%	>97.20%

Table 5. Caractéristiques de la sortie

	BC350R(AG-075C)	BC600R(AG-075D)	BC850R(AG-075E)
Tension de sortie nominale	120V		
Courant de sortie CA	2,9 A (nom.); 3,7 A (Max.)	5 A (nom.); 6,3 A (max.)	7,1 A (nom.); 8,9 A (max.)
Tension de sortie CA (mode en ligne)	120 V (suit la tension d'entrée 95 à 145 V CA)		
Tension de sortie CA (mode batterie)	120V		
Forme d'onde CA de sortie (mode en ligne)	Onde sinusoïdale (mode CA)		
Forme d'onde CA de sortie (mode batterie)	Onde sinusoïdale modifiée (mode batterie)		
Fréquence	50 ou 60 Hz suit la fréquence d'entrée CA Le démarrage à froid de la batterie est 60 Hz seulement		
Temps de transfert de CA à CC	4 ~ 6 ms (Max < 10 ms)		

Table 6. Caractéristiques de protection

	BC350R(AG-075C)	BC600R(AG-075D)	BC850R(AG-075E)
Valeur nominale en joules de suppression CA de l'onduleur	190 (CA)		
Temps de réponse de suppression CA de l'onduleur	Instantané		
Protection contre les surcharges	Mode en ligne : 110 % - saisir la défaillance après cinq minutes; 120 % - saisir immédiatement la défaillance. Mode batterie : 110 % arrêt en cinq secondes; 120 % arrêt immédiat		

Table 7. Caractéristiques des batteries

	BC350R(AG-075C)	BC600R(AG-075D)	BC850R(AG-075E)
Type de batterie	Batteries au plomb-acide scellées, sans entretien.		
Tension de la batterie/Ah	Qté (1) 12 V/2,8 Ah	Qté (1) 12 V/3,6 Ah	Qté (1) 12 V/6 Ah
Courant de charge de la batterie	.5A		
Tension de maintien de la batterie	13,7 V CC		
Temps de recharge	8 heures		
Temps de sauvegarde	2 min/pleine charge 7 min/demi-charge	1,2 min/pleine charge 5 min/demi-charge	1,7 min/pleine charge 8 min/demi-charge
Tension d'arrêt basse tension	9,8 V tous les niveaux de charge		
Tension min. pour le démarrage à froid	11V		
Batterie remplaçable à chaud	Non		

Table 8. Environnement

	BC350R(AG-075C)	BC600R(AG-075D)	BC850R(AG-075E)
Humidité	0 à 95 % HR à 0 à 40 °C (sans condensation)		
Bruit sonore	<40 dBA (1 m du côté avant)		
Température de fonctionnement	-15 à +50 °C		
Température de fonctionnement	0 à +50 °C		
Élévation de fonctionnement	0 à 2 000 mètres		

Table 9. Poids et dimensions

	BC350R(AG-075C)	BC600R(AG-075D)	BC850R(AG-075E)
Poids net, lb (kg)	2,1 kg (4,6 lb)	2,2 kg (4,8 lb)	3,2 kg (7 lb)
H x l x P, po (cm)	2.2 x 10.0 x 7.0 (5.8 x 25.5 x 18.0)		3.1 x 11.0 x 7.0 (8.0 x 28.0 x 18.0)

Table 10. Normes et conformité

	BC350R(AG-075C)	BC600R(AG-075D)	BC850R(AG-075E)
Certifications du produit	CSA C22.2 NO. 107.3 (CAN); UL1778 (États-Unis) ; NOM (Mexique)		
Conformité	Energy Star; ROHS; FCC Class B, DOE, CEC		

Table 11. Connexions de l'entrée électrique

	BC350R(AG-075C)	BC600R(AG-075D)	BC850R(AG-075E)
Cordon d'alimentation	1,5 m (5 pi) NEMA 5–15P; angle droit		

Table 12. Connexions de la sortie électrique

	BC350R(AG-075C)	BC600R(AG-075D)	BC850R(AG-075E)
Quantité et type de prise	Trois prises NEMA 5-15, surtension + batterie de secours	Quatre prises NEMA 5–15 surtension + batterie de secours	Cinq prises NEMA 5–15 surtension + batterie de secours



93470A B