

Model: DMCS3770L



**CAUTION: DO NOT EXCEED MAXIMUM LISTED WEIGHT CAPACITY.  
SERIOUS INJURY OR PROPERTY DAMAGE MAY OCCUR!**



200 x 200 / 300 x 300  
400 x 200 / 400 x 400  
600 x 400



Este manual está disponible en español en la página de Eaton:  
[Tripplite.Eaton.com/support](http://Tripplite.Eaton.com/support)

Ce manuel est disponible en français sur le site Web de Eaton :  
[Tripplite.Eaton.com/support](http://Tripplite.Eaton.com/support)

Русскоязычная версия настоящего руководства представлена на  
веб-сайте компании Eaton по адресу: [Tripplite.Eaton.com/support](http://Tripplite.Eaton.com/support)

Dieses Handbuch ist in deutscher Sprache auf der Eaton-Website  
verfügbar: [Tripplite.Eaton.com support](http://Tripplite.Eaton.com/support)



**PRODUCT  
REGISTRATION**

Register your product today for a  
chance to win an ISOBAR® surge  
protector in our monthly drawing!

**[Tripplite.Eaton.com/warranty](http://Tripplite.Eaton.com/warranty)**



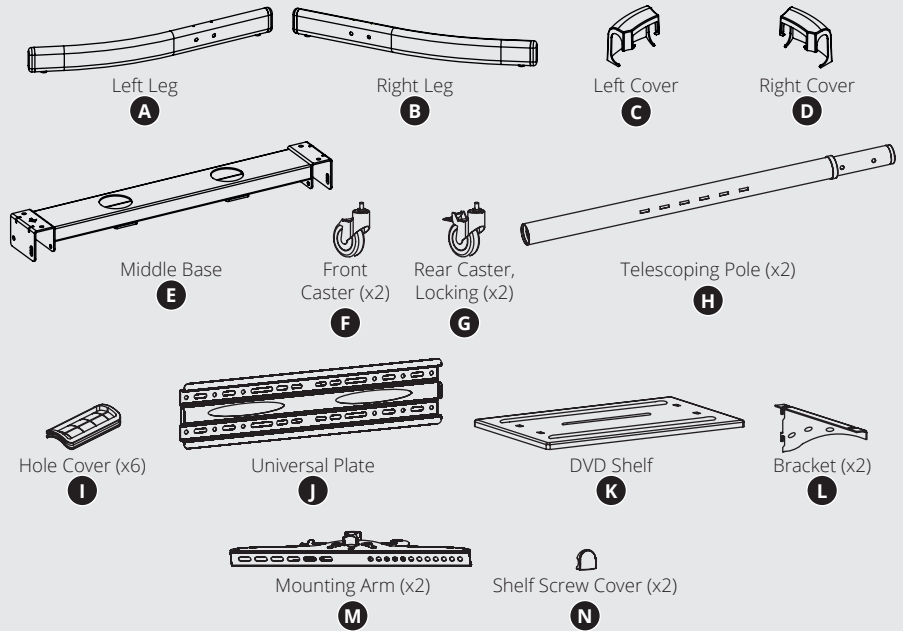
**NOTE:** Read the entire instruction manual before you start assembly and installation.

 **WARNING**

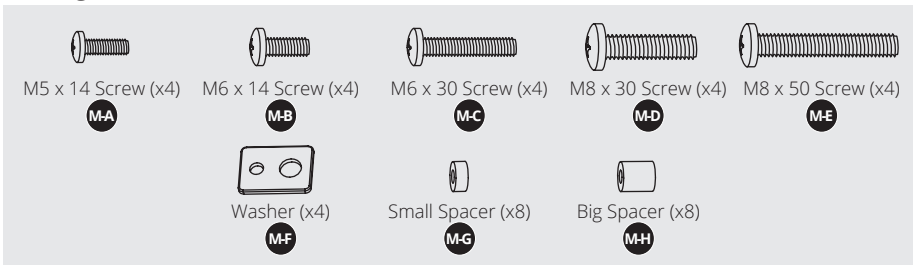
- Do not begin the installation until you have read and understood the instructions and warnings contained in this manual. If you have any questions regarding any of the instructions or warnings, please visit [TrippLite.Eaton.com/support](https://www.eaton.com/support).
- This mounting bracket was designed to be installed and utilized **ONLY** as specified in this manual. Improper installation of this product may cause damage or serious injury.
- This product should only be installed by someone of good mechanical ability, with basic building experience and a full understanding of this instruction manual.
- Make sure that the mounting surface can safely support the combined load of the equipment and all attached hardware and components.
- Always use an assistant or mechanical lifting equipment to safely lift and position equipment.
- Tighten screws firmly, but do not over-tighten. Over-tightening screws can damage the items, greatly reducing their holding power.
- This product is intended for indoor use only. Using this product outdoors could lead to product failure and personal injury.

# Component Checklist

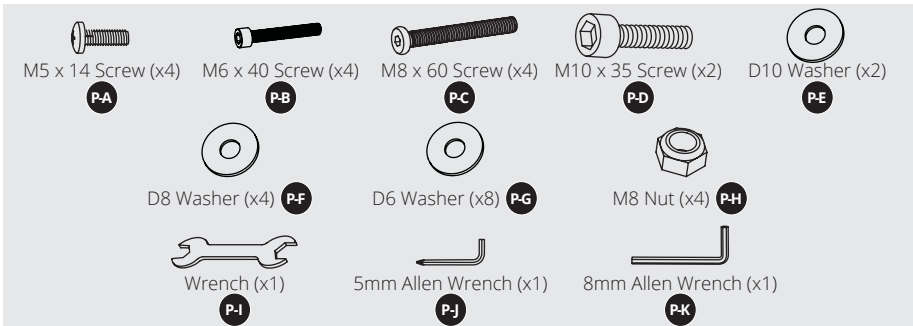
**IMPORTANT:** Ensure that you have received all parts according to the component checklist prior to installing. If any parts are missing or faulty, visit [Triplite.Eaton.com/support](http://Triplite.Eaton.com/support) for service.



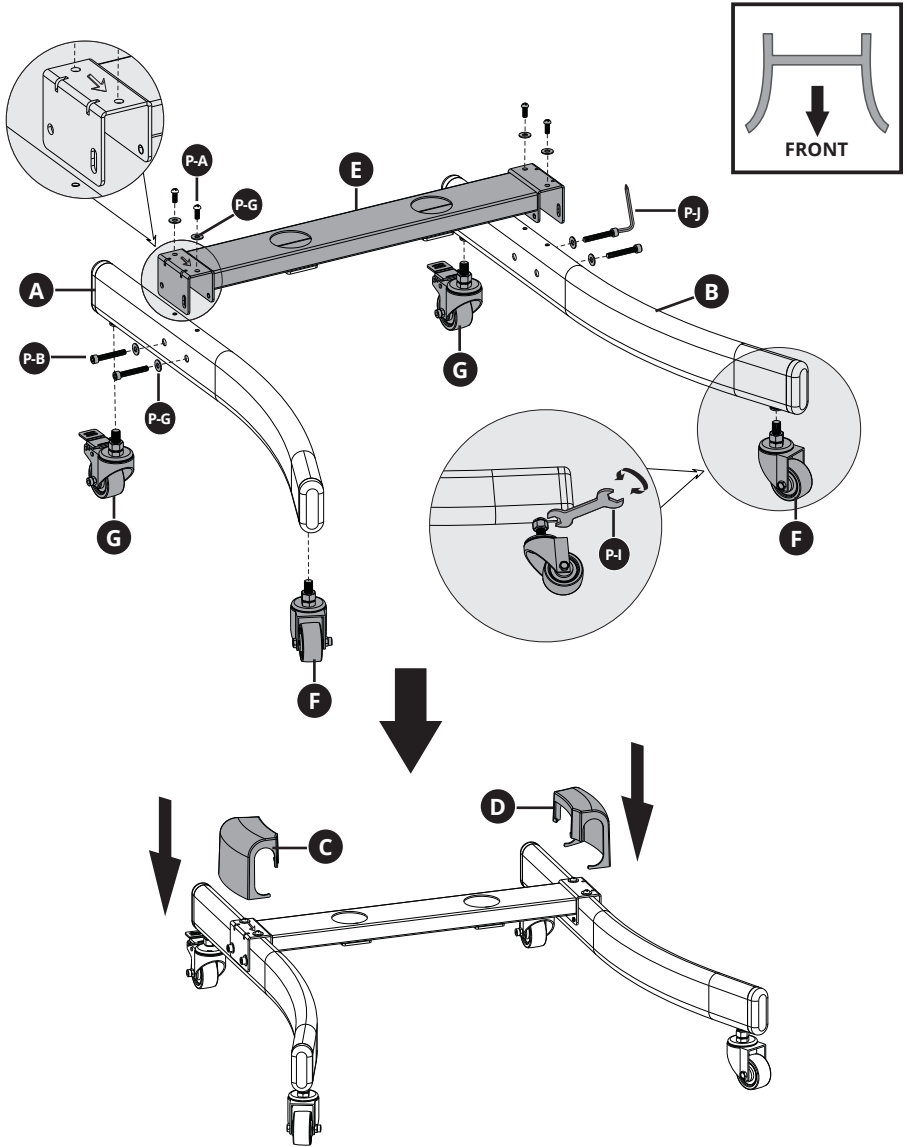
## Package M



## Package P

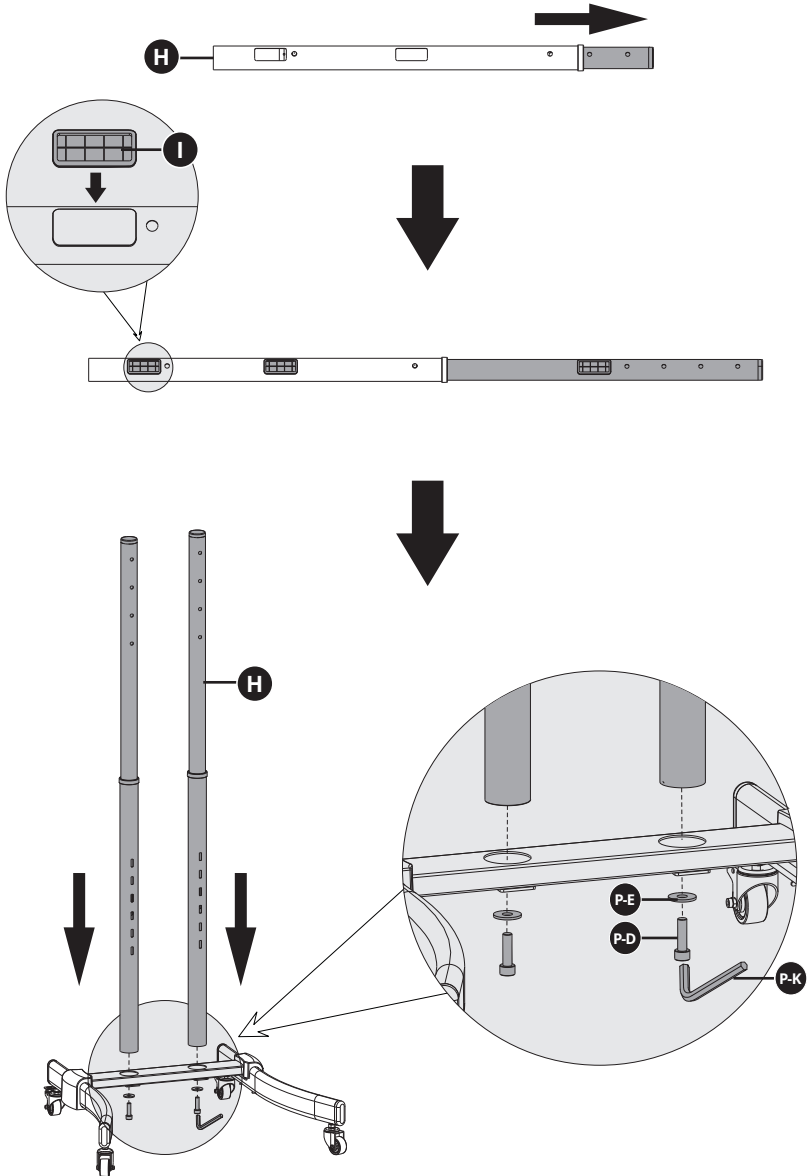


# 1. Assembling the Base



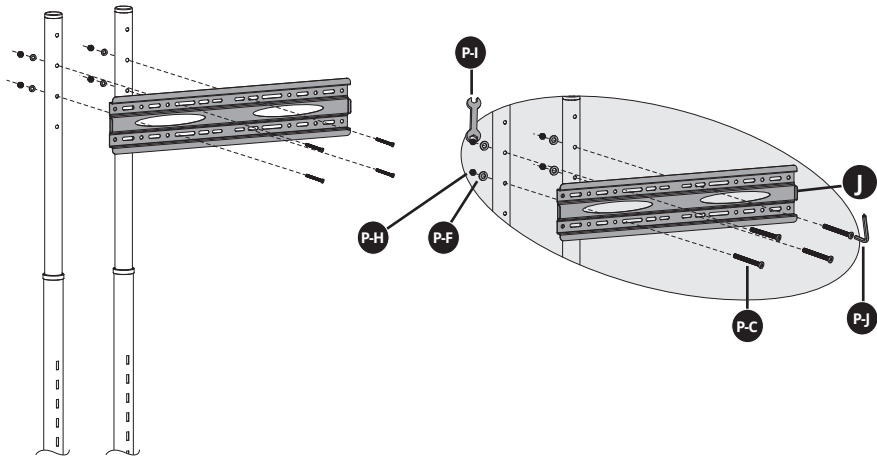
- 1) Attach Front Casters **F** and Rear Casters **G** to both Left Leg **A** and Right Leg **B** using Wrench **P-I**.
- 2) Attach Middle Base **E** to the Legs. Secure top bar with Screws **P-A** and Washers **P-G**. Secure to sides of Legs with Screws **P-B** and Washers **P-G** using Allen Wrench **P-J**.
- 3) Attach Left Cover **C** and Right Cover **D** to Legs.

## 2. Attaching Telescoping Sidebars



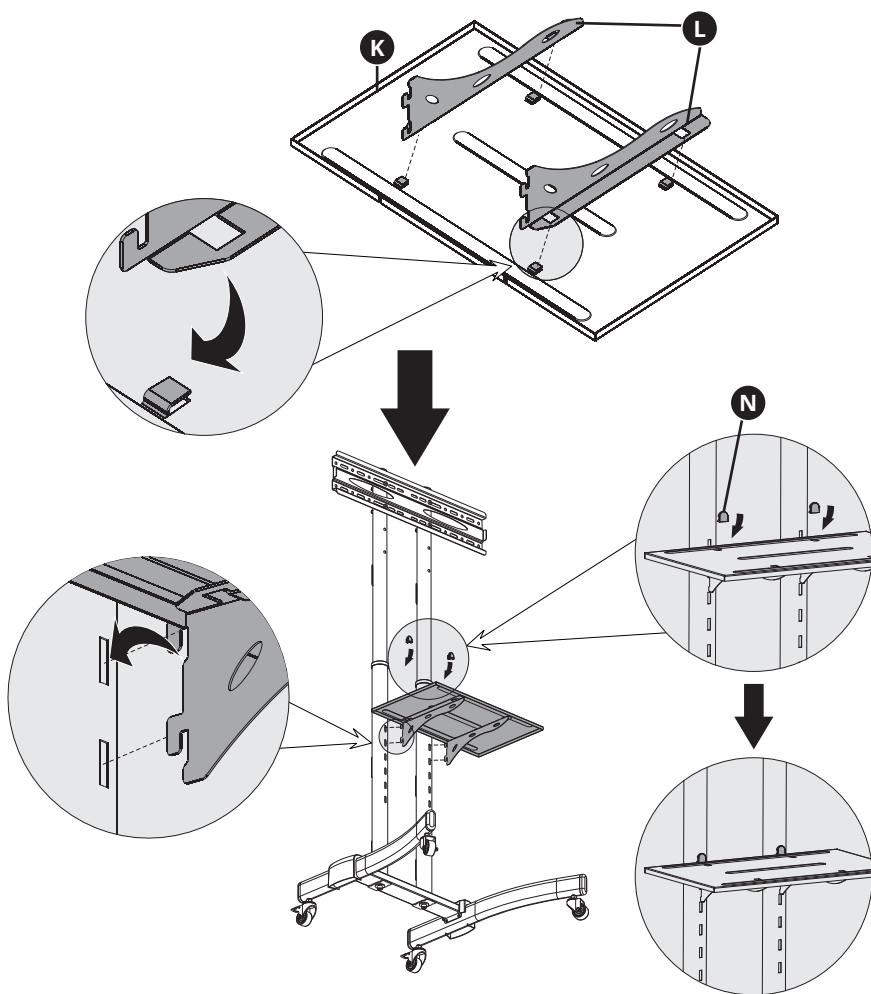
- 1) Adjust Telescoping Poles **H** to desired height using button. Cover exposed holes with Hole Covers **I**.
- 2) Insert Poles **H** into the holes on the Middle Base **E**. Secure with Screws **P-D** and Washers **P-E** using Allen Wrench **P-K**.

### 3. Attaching Universal Plate



Insert Washers **P-F** and Nuts **P-H** into rear of Telescoping Poles **H** at desired height. Secure Universal Plate **J** with Screws **P-C** using Allen Wrench **P-J**.

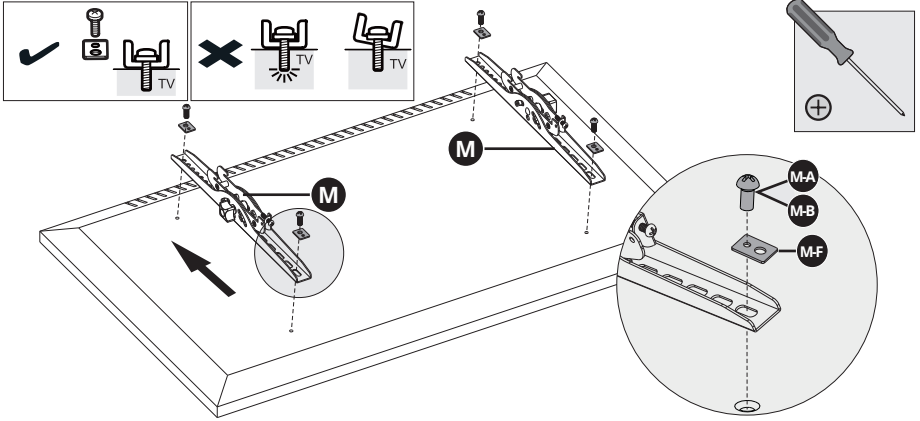
## 4. Installing the DVD Shelf



- 1) Slide Brackets **L** into DVD Shelf **K**.
- 2) Insert Bracket hooks at desired height into Telescoping Poles **H**. Push down to secure.
- 3) Cover exposed holes with Shelf Screw Covers **N**.

# 5. Installing the Mounting Arms

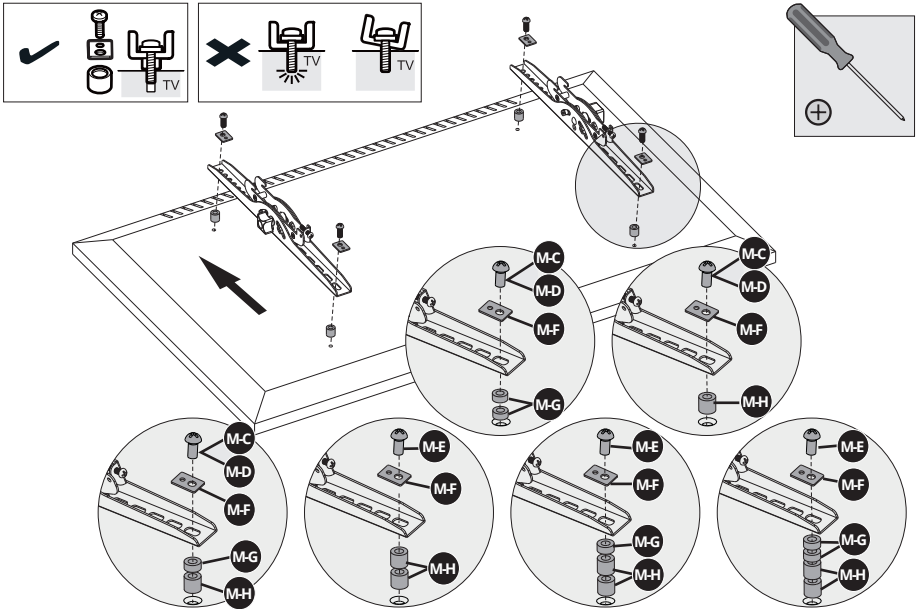
## 5.1 For Flat-Back Screens



**Note:** Choose the appropriate Screws, Washers and Spacers (if needed) according to the type of screen. Screw the Mounting Arms onto the display.

**CAUTION:** Tighten all screws but do not over-tighten.

## 5.2 For Recessed-Back Screens or Accessing A/V Inputs

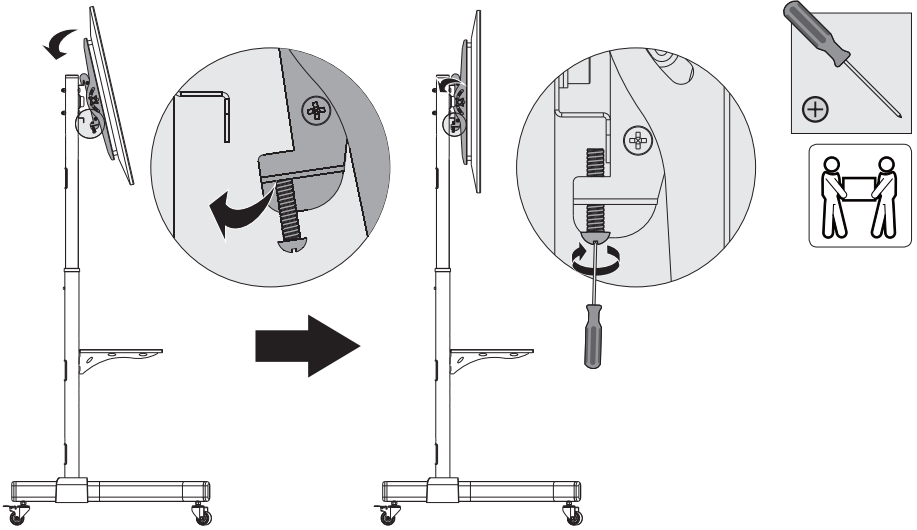


**Note:** Choose the appropriate Screws, Washers and Spacers (if needed) according to the type of screen. Screw the Mounting Arms onto the display.

**CAUTION:** Tighten all screws but do not over-tighten.



## 6. Hooking the Display to the Universal Plate

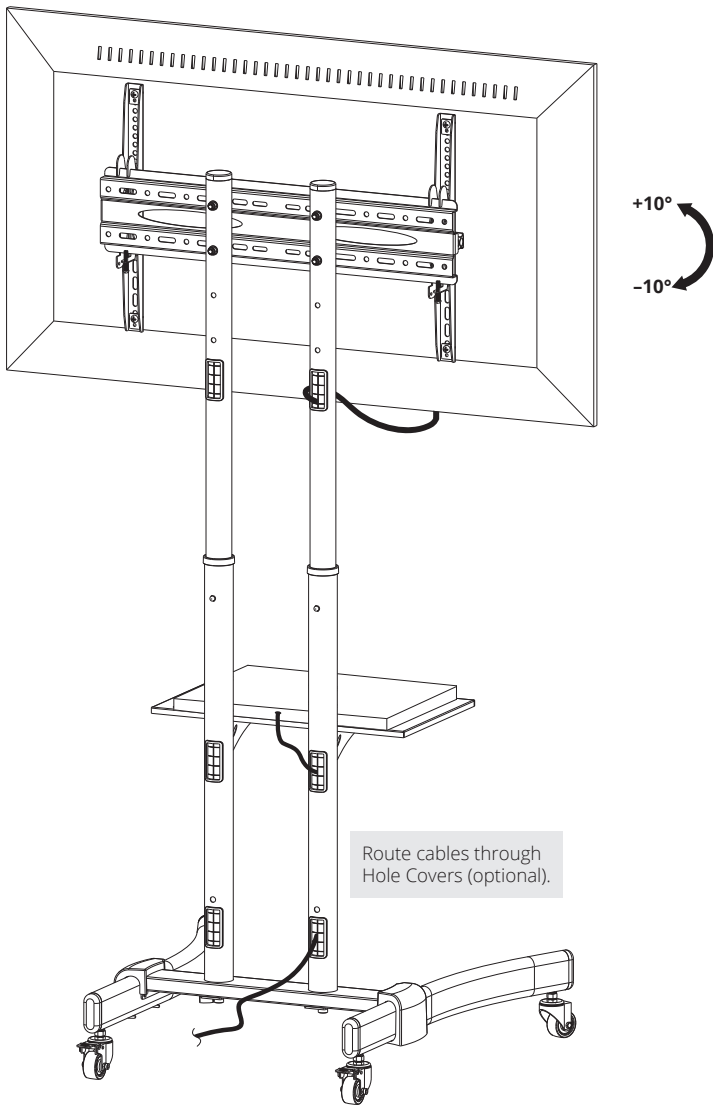


- 1) Hook the Mounting Arms onto the Universal Plate attached to the Telescoping Poles.
- 2) Secure by tightening Screws with user-supplied Phillips-head screwdriver.

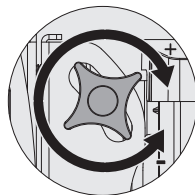


**CAUTION: Be sure the display is correctly mounted and that the screws are safely tightened before releasing the display.**

## 7. Cable Management & Display Adjustment



Tighten the knobs to secure.



Loosen the knobs to adjust the display to the desired angle.

# Warranty & Product Registration

## 5-YEAR LIMITED WARRANTY

We warrant our products to be free from defects in materials and workmanship for a period of five (5) years from the date of initial purchase. Our obligation under this warranty is limited to repairing or replacing (at its sole option) any such defective products. Visit [Triplite.Eaton.com/support/product-returns](http://Triplite.Eaton.com/support/product-returns) before sending any equipment back for repair. This warranty does not apply to equipment which has been damaged by accident, negligence or misapplication or has been altered or modified in any way.

EXCEPT AS PROVIDED HEREIN, WE MAKE NO WARRANTIES, EXPRESS OR IMPLIED, INCLUDING WARRANTIES OF MERCHANTABILITY AND FITNESS FOR A PARTICULAR PURPOSE. Some states do not permit limitation or exclusion of implied warranties; therefore, the aforesaid limitation(s) or exclusion(s) may not apply to the purchaser.

EXCEPT AS PROVIDED ABOVE, IN NO EVENT WILL EATON BE LIABLE FOR DIRECT, INDIRECT, SPECIAL, INCIDENTAL OR CONSEQUENTIAL DAMAGES ARISING OUT OF THE USE OF THIS PRODUCT, EVEN IF ADVISED OF THE POSSIBILITY OF SUCH DAMAGE. Specifically, we are not liable for any costs, such as lost profits or revenue, loss of equipment, loss of use of equipment, loss of software, loss of data, costs of substitutes, claims by third parties, or otherwise.

## PRODUCT REGISTRATION

Visit [Triplite.Eaton.com/warranty](http://Triplite.Eaton.com/warranty) today to register your new product. You'll be automatically entered into a drawing for a chance to win a FREE Eaton Tripp Lite series product!\*

\*No purchase necessary. Void where prohibited. Some restrictions apply. See website for details.

Eaton has a policy of continuous improvement. Specifications are subject to change without notice.

## Maintenance

- Check that the bracket is secure and safe to use at regular intervals (at least every three months).
- For any additional questions, visit [Triplite.Eaton.com/support](http://Triplite.Eaton.com/support).



*Powering Business Worldwide*

Eaton  
1000 Eaton Boulevard  
Cleveland, OH 44122  
United States  
[Eaton.com](http://Eaton.com)

© 2023 Eaton  
All Rights Reserved  
Publication No. 23-06-166 / 93-37CE\_RevC / GG  
December 2023

Eaton is a registered trademark.

All trademarks are property of their respective owners.