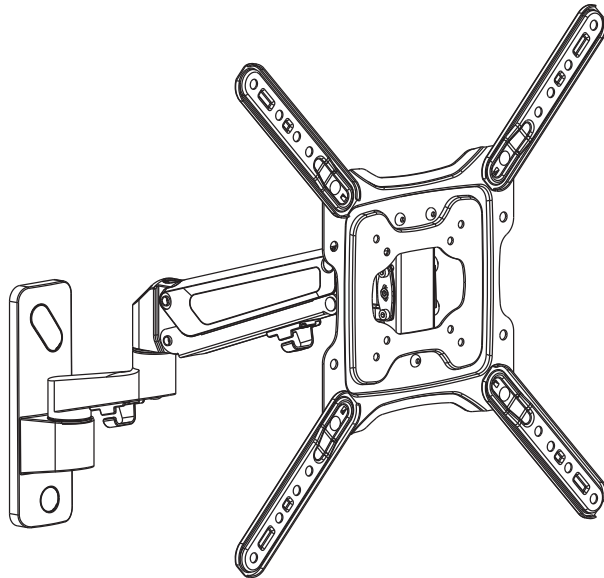


Full-Motion Flat-Screen
Wall Mount

Model:
DWM2355S



WARNING! ALWAYS USE AN ASSISTANT OR MECHANICAL LIFTING EQUIPMENT TO SAFELY LIFT AND POSITION EQUIPMENT.



75x75/100x100
200x100/200x200
300x300/400x200
400x300/400x400



Este manual está disponible en español en la página de Eaton:
Tripplite.Eaton.com/support

Ce manuel est disponible en français sur le site Web de Eaton :
Tripplite.Eaton.com/support

Русскоязычная версия настоящего руководства представлена на веб-сайте компании Eaton по адресу: Tripplite.Eaton.com/support

Dieses Handbuch ist in deutscher Sprache auf der Eaton-Website verfügbar:
Tripplite.Eaton.com/support



PRODUCT REGISTRATION

Register your product today for a chance to win an ISOBAR® surge protector in our monthly drawing!

Tripplite.Eaton.com/warranty



Important Safety Instructions

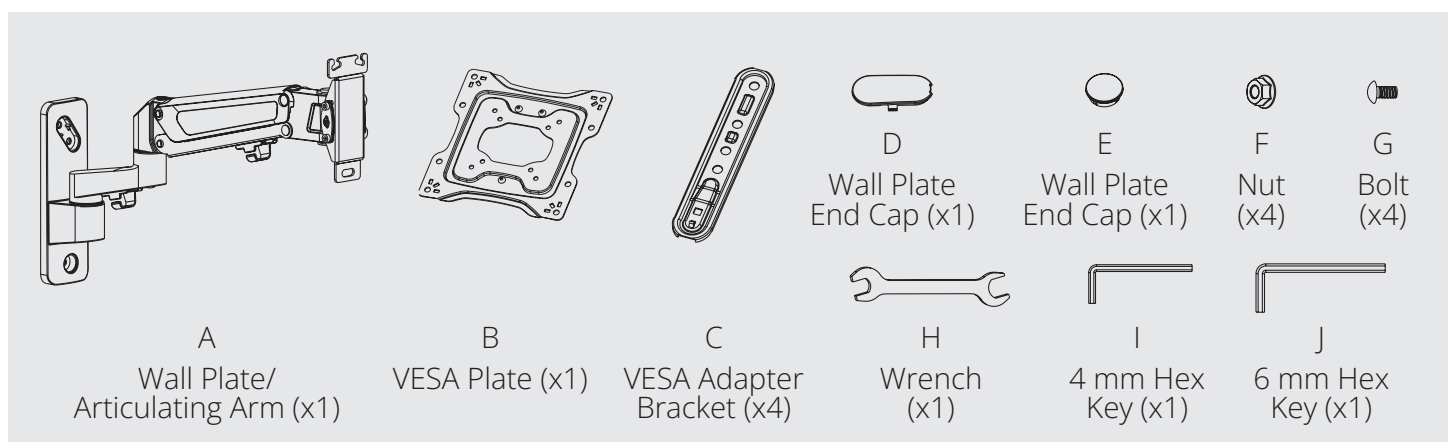
CAUTION

- Read the entire instruction manual before you start assembly and installation. If you have questions about any of the instructions or warnings, please visit TrippLite.Eaton.com/support.
- Use with products heavier than the rated weights indicated may result in instability, causing possible injury.
- Mounts must be attached as specified in these instructions. Improper installation may result in damage or serious personal injury.
- Safety gear and proper tools must be used. This product should only be installed by professionals.
- This product is designed to be installed on wood stud walls, solid concrete walls or brick walls.
- Ensure the supporting surface will safely support the combined weight of the equipment and all attached hardware and components.
- Use the mounting screws provided and DO NOT OVERTIGHTEN the mounting screws.
- This product contains small items that could be a choking hazard if swallowed. Keep these items away from children.
- This product is intended for indoor use only. Using this product outdoors could lead to product failure and personal injury.
- Check that the bracket is secure and safe to use at regular intervals (at least every three months)

Parts List

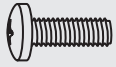
IMPORTANT: Before beginning installation, be sure you have received all the parts listed below. If any parts are missing or faulty, visit TrippLite.Eaton.com/support for service.

Components

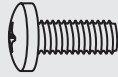


Parts List

Package M



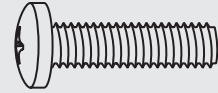
M-A
M5x14 (x4)



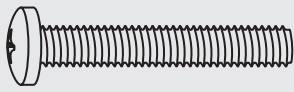
M-B
M6x14 (x4)



M-C
M6x30 (x4)



M-D
M8x30 (x4)



M-E
M8x50 (x4)



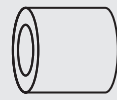
M-F
D5 Washer (x4)



M-G
D8 Washer (x4)



M-H
Smaller Spacer (x8)

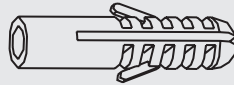


M-I
Large Spacer (x8)

Package W



W-A
Anchor Bolt (x3)

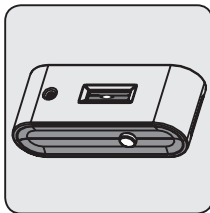


W-B
Concrete Anchor (x3)

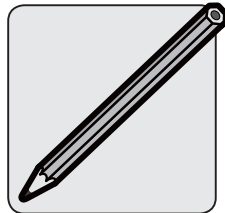


W-C
Washer (x3)

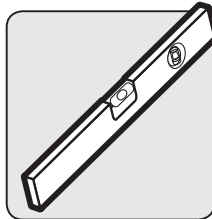
Required for Installation



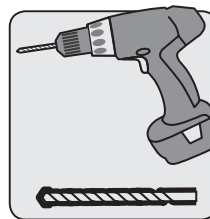
Stud finder
(for installation
on wood stud wall)



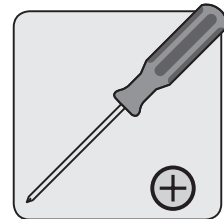
Pencil



Level

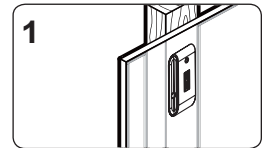
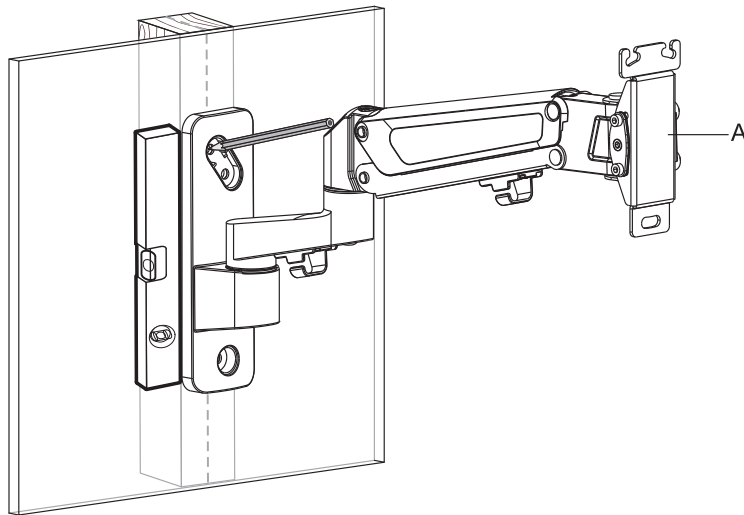
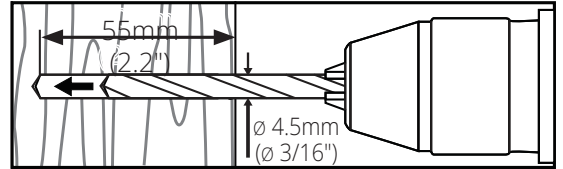
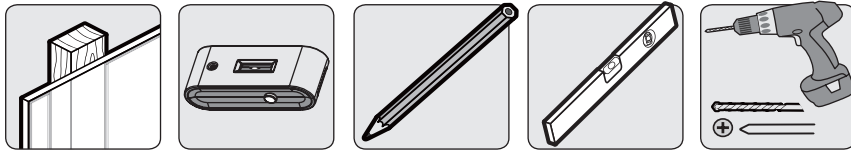


Drill with
appropriate bits
(for installation type)

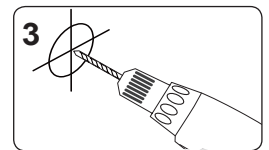


Screwdriver

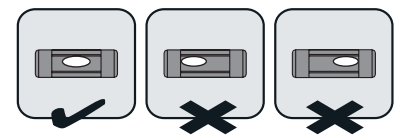
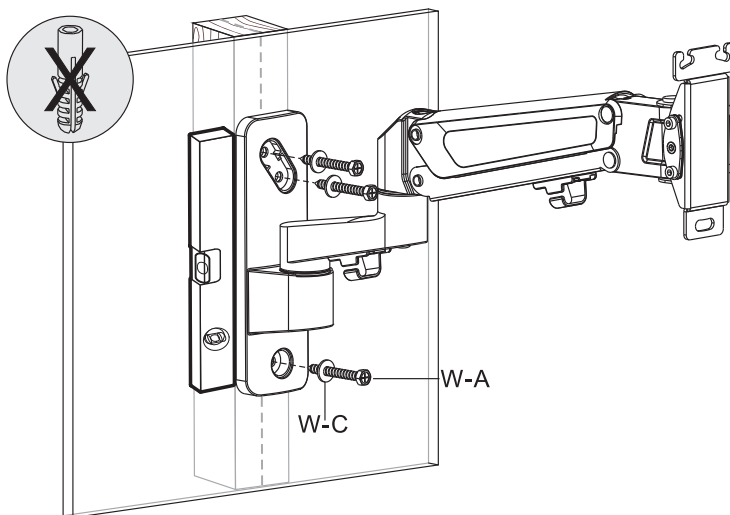
1a. Mount on Wood Stud Wall



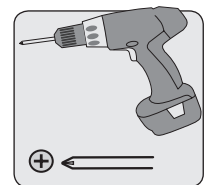
1 Find and mark the exact location of mounting holes



3 Drill pilot holes



Ensure holes are level

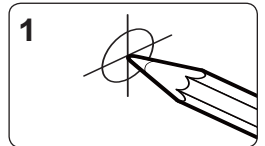
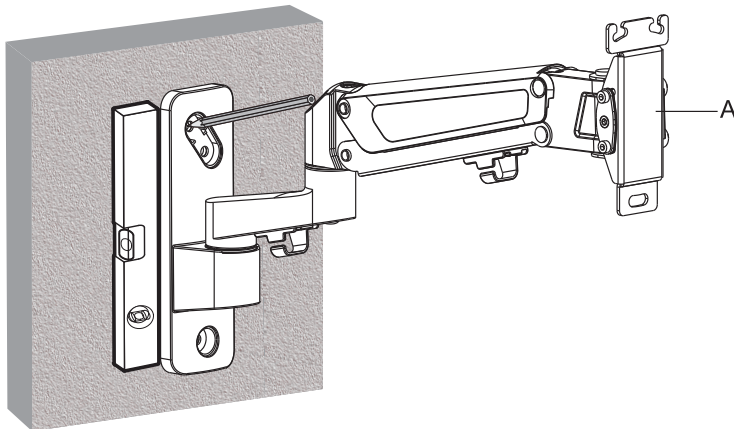
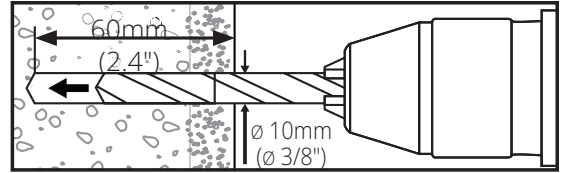
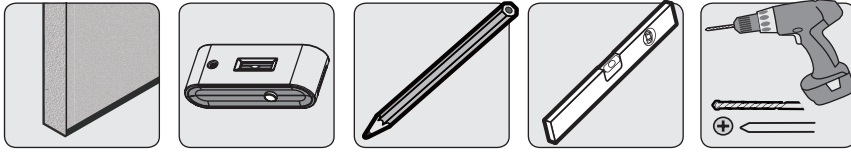


Screw mount into wall

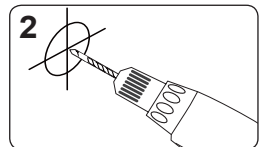
WARNING

- Make sure the mounting screws are anchored into the center of the studs. Use of a stud finder is highly recommended.
- The installer is responsible to provide hardware for other types of mounting situations.
- The installer must verify the supporting surface will safely support the combined load of the equipment and all attached hardware and components.

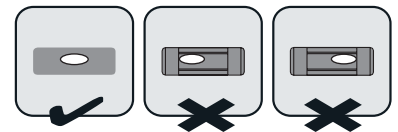
1b. Mount on Solid Brick or Concrete Block



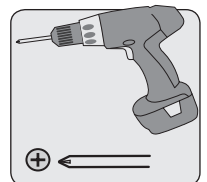
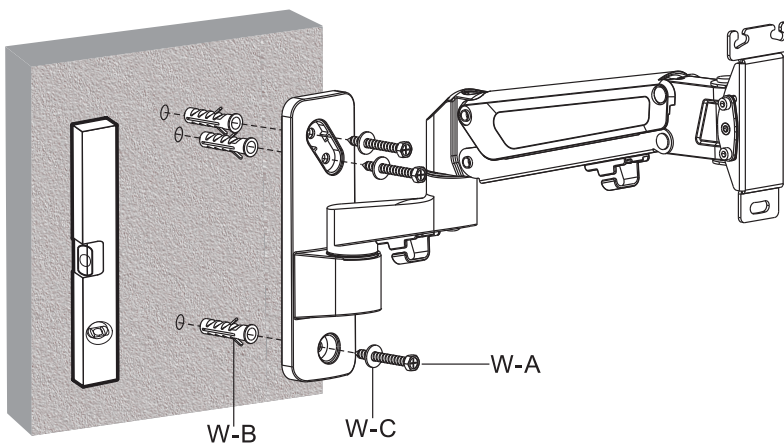
1
Find and mark the exact location of mounting holes



2
Drill pilot holes



Ensure holes are level

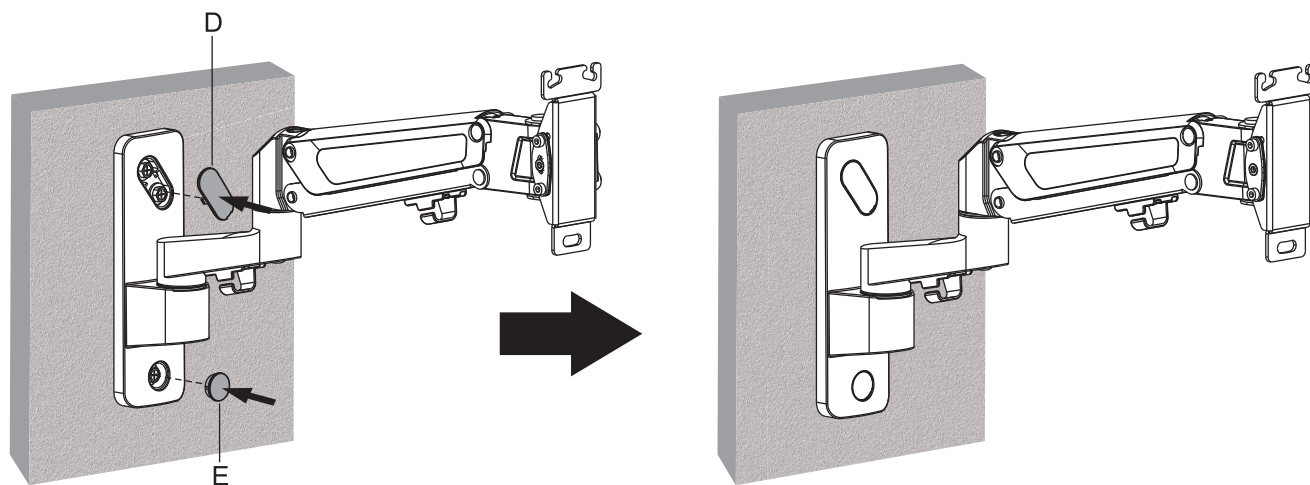


Screw mount into wall

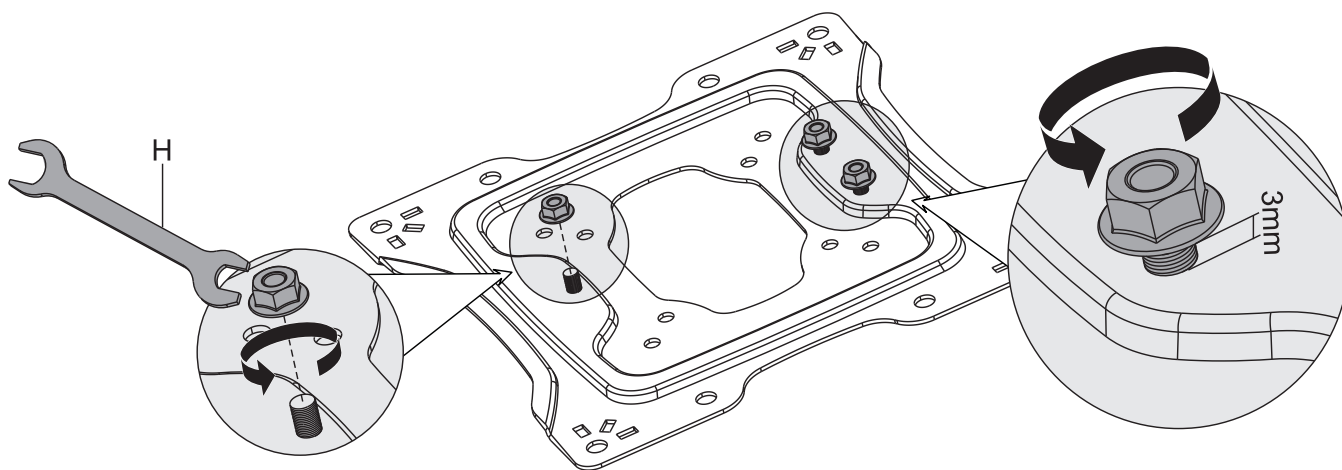
WARNING

- When installing wall mount onto a concrete masonry unit (also known as a CMU or cinder block), verify the actual concrete thickness is at least 1-3/8" (35 mm) in order to hold the concrete anchors. **DO NOT DRILL INTO MORTAR JOINTS!** Be sure to mount the assembled wall-mount plate with the included concrete anchors, D6 washers and anchor bolts onto solid sections of the blocks. The solid sections can generally be found 1" (25 mm) toward the middle of the block from either end. An electric drill on a slow setting is recommended to drill the hole rather than a hammer drill to avoid breaking out the back of the hole when entering a hollow section.
- The installer must verify the supporting surface will safely support the combined load of the equipment and all attached hardware and components.

2. Install Articulating Arm

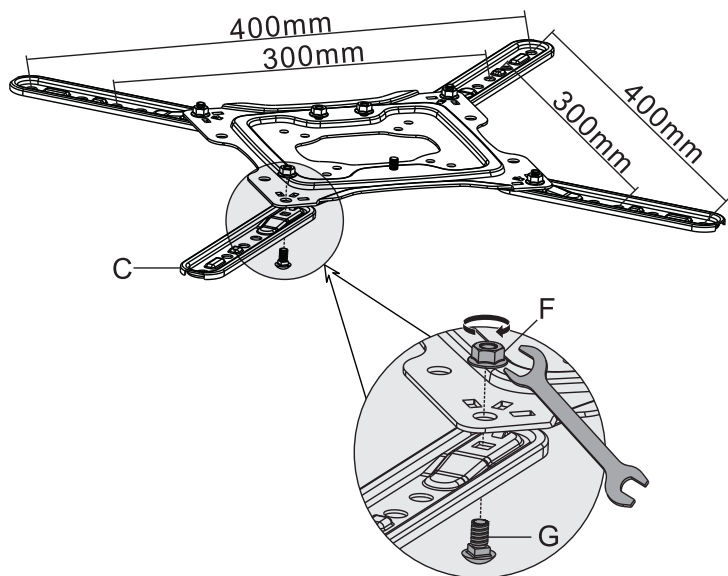


3. Prepare VESA Plate

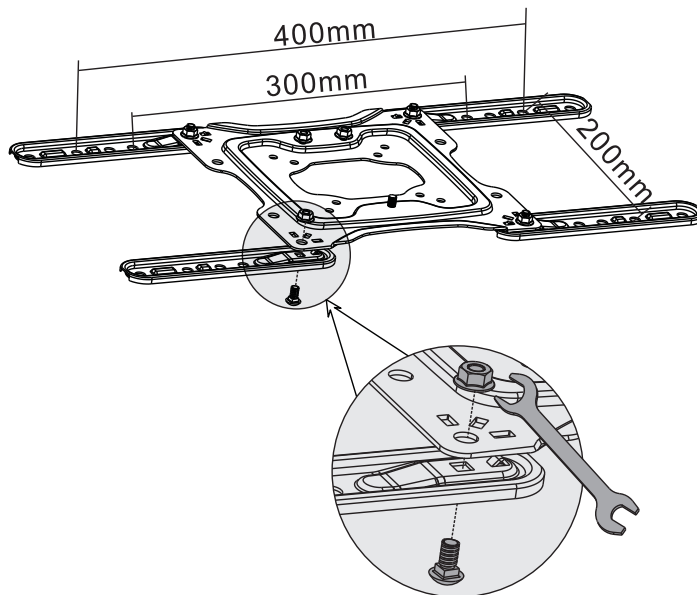


4. Attach VESA Adapter Brackets

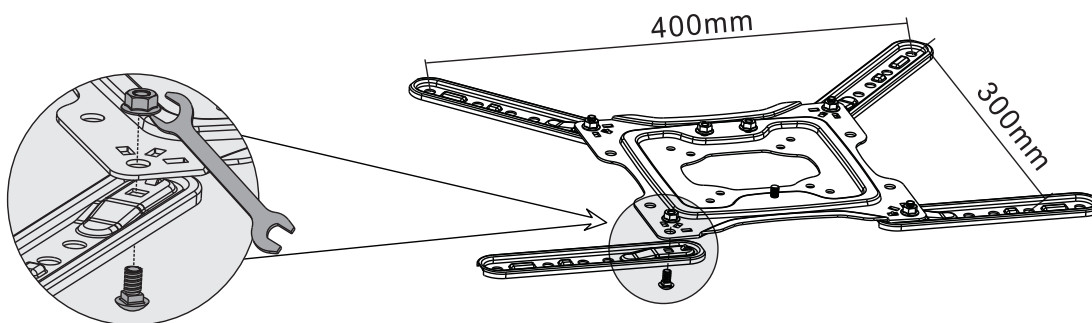
4a VESA 300x300mm, 400x400mm



4b VESA 400x200mm, 300x200mm

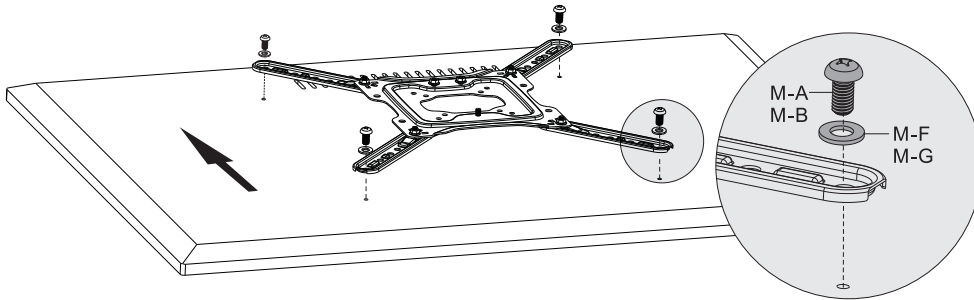
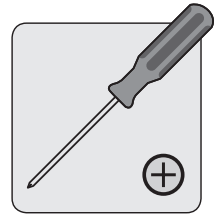
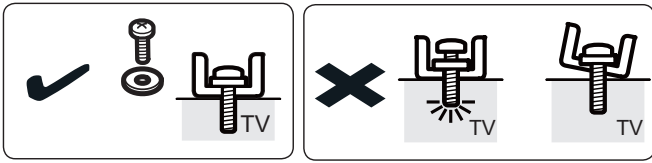


4c VESA 400x300mm

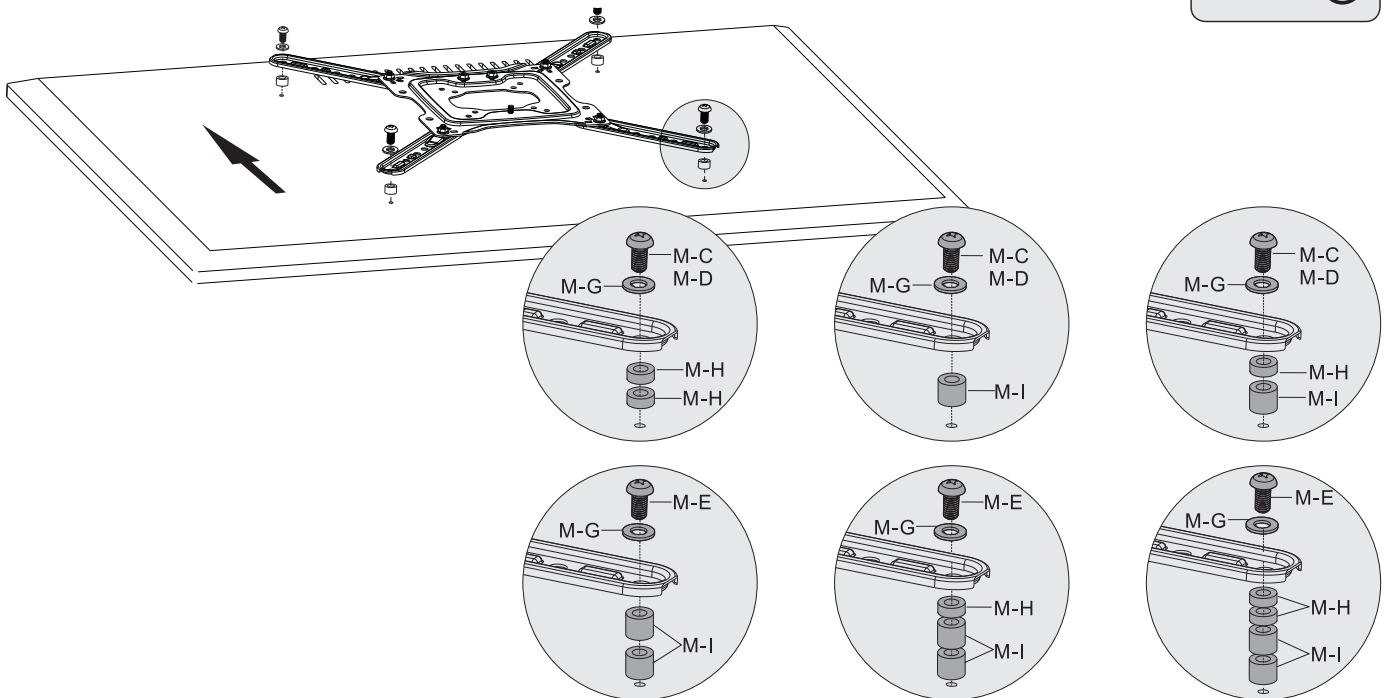
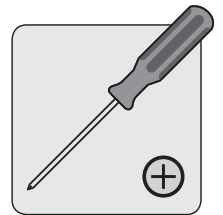
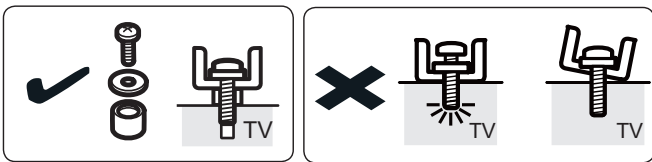


5. Mount Brackets to Display

5a



5b



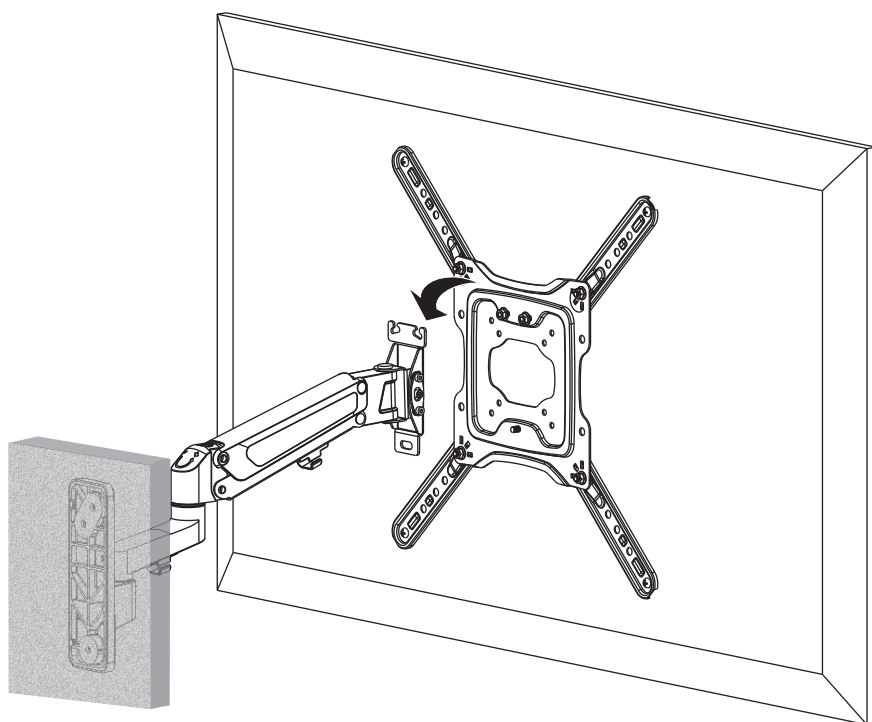
Note: Choose appropriate screws, washers and spacers (if necessary) according to the type of screen.

- Position the adapter brackets as close as possible to the center of the display.
- Firmly secure the adapter brackets onto the display using the screws and any other necessary hardware components included with the unit.

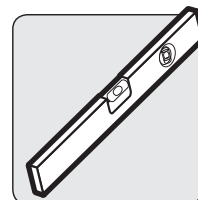
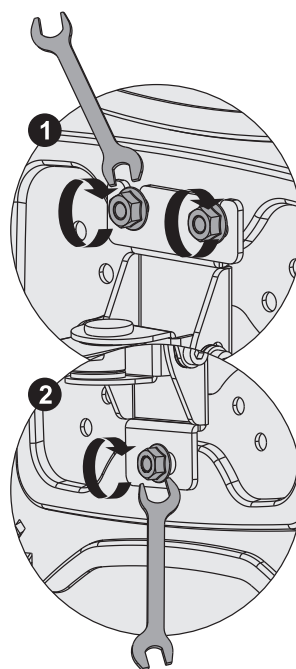
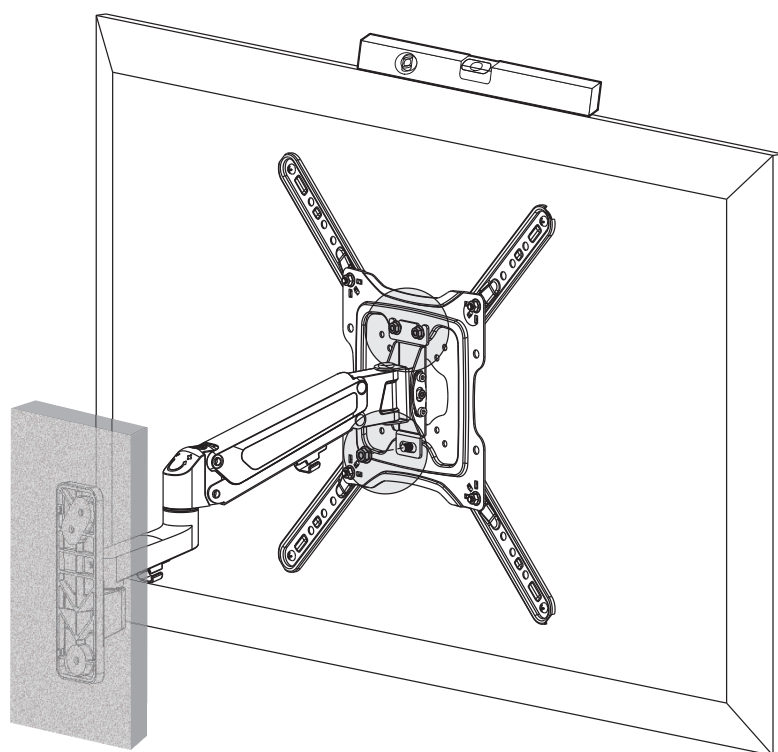


DO NOT OVERTIGHTEN SCREWS!

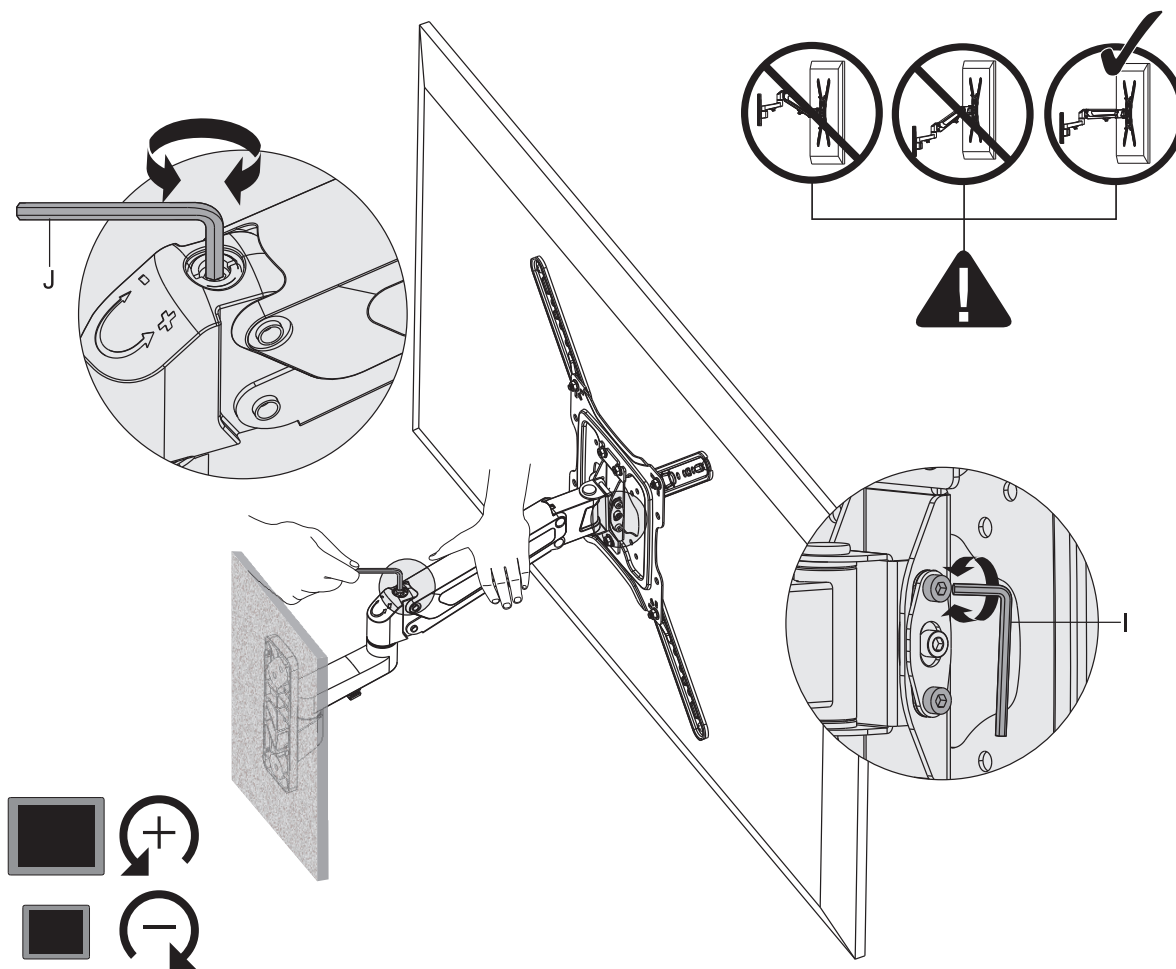
6. Hang Flat Screen onto Articulating Arm



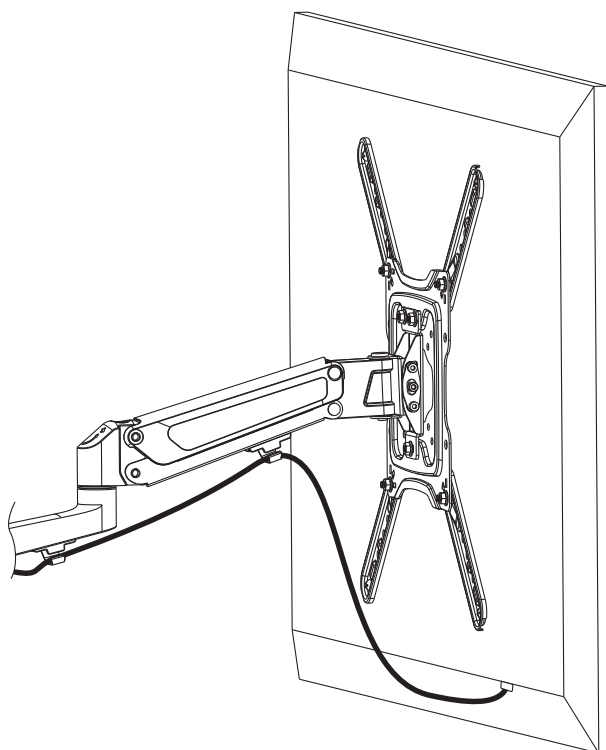
7. Level and Tighten Screen



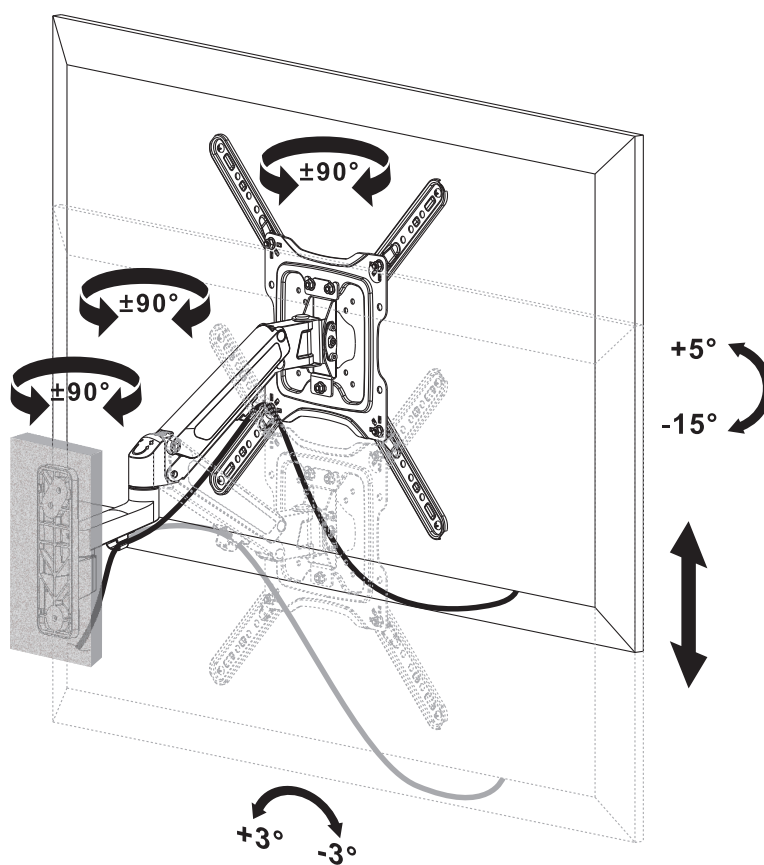
8. Adjust Articulating Arm



9. Route Cables



10. Adjust Viewing Angle



Warranty and Product Registration

5-Year Limited Warranty

We warrant our products to be free from defects in materials and workmanship for a period of five (5) years from the date of initial purchase. Our obligation under this warranty is limited to repairing or replacing (at its sole option) any such defective products. Visit [Tripplite.Eaton.com/support/product-returns](https://www.tripplite.com/support/product-returns) before sending any equipment back for repair. This warranty does not apply to equipment which has been damaged by accident, negligence or misapplication or has been altered or modified in any way.

EXCEPT AS PROVIDED HEREIN, WE MAKE NO WARRANTIES, EXPRESS OR IMPLIED, INCLUDING WARRANTIES OF MERCHANTABILITY AND FITNESS FOR A PARTICULAR PURPOSE. Some states do not permit limitation or exclusion of implied warranties; therefore, the aforesaid limitation(s) or exclusion(s) may not apply to the purchaser.

EXCEPT AS PROVIDED ABOVE, IN NO EVENT WILL EATON BE LIABLE FOR DIRECT, INDIRECT, SPECIAL, INCIDENTAL OR CONSEQUENTIAL DAMAGES ARISING OUT OF THE USE OF THIS PRODUCT, EVEN IF ADVISED OF THE POSSIBILITY OF SUCH DAMAGE. Specifically, we are not liable for any costs, such as lost profits or revenue, loss of equipment, loss of use of equipment, loss of software, loss of data, costs of substitutes, claims by third parties, or otherwise.

PRODUCT REGISTRATION

Visit [Tripplite.Eaton.com/warranty](https://www.tripplite.com/warranty) today to register your new product. You'll be automatically entered into a drawing for a chance to win a FREE Eaton Tripp Lite series product!*

* No purchase necessary. Void where prohibited. Some restrictions apply. See website for details.



Powering Business Worldwide

Eaton
1000 Eaton Boulevard
Cleveland, OH 44122
United States
[Eaton.com](https://www.eaton.com)

© 2024 Eaton
All Rights Reserved
Publication No. 23-06-324 / 93-3CC1_Rev B
March 2024

Eaton is a registered trademark.

All trademarks are property
of their respective owners.