

Owner's Manual

Display Mount AC/USB Clip

Model: DMACUSB

Este manual esta disponible en español en la página de Tripp Lite:
www.tripplite.com

Ce manuel est disponible en français sur le site Web de Tripp Lite :
www.tripplite.com

PROTECT YOUR INVESTMENT!

Register your product for quicker service
and ultimate peace of mind.

You could also win an
ISOBAR6ULTRA surge protector—
a \$100 value!



www.tripplite.com/warranty



1111 W. 35th Street, Chicago, IL 60609 USA • www.tripplite.com/support

Copyright © 2017 Tripp Lite. All rights reserved.

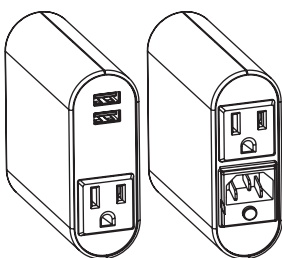
Important Safety Instructions

SAVE THESE INSTRUCTIONS

CAUTION! DO NOT connect to an ungrounded outlet. DO NOT use with 2-wire extension cords or adapters. This AC/USB adapter is designed for indoor use only. Install away from heat-emitting appliances such as radiators or heat registers. Do not install where excessive moisture is present. Do not plug extension cords into it. Never install electrical, telephone, network or coaxial wiring during a lightning storm. Do not drill into any part of the housing or open the housing for any reason. There are no user-serviceable parts inside.

- Do not operate if the unit's plug is damaged.
- Always unplug the unit when not in use.
- Do not expose unit to moisture, including drips or splashes.
- Do not place objects filled with liquids, such as vases, on or near the unit.
- The breaker switch located in the power inlet prevents overloads.
- In the event of an overload, disconnect the unit from its power source, wait 10 seconds, then press the breaker switch to reset.
- Use of this equipment in life support applications where failure of this equipment can reasonably be expected to cause the failure of the life support equipment or to significantly affect its safety or effectiveness is not recommended.

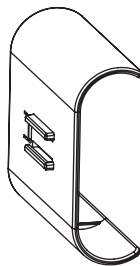
Parts List



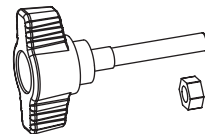
Front View

Rear View

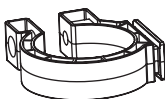
AC/USB Adapter



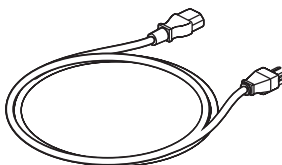
Adapter Holder



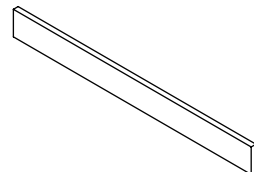
Thumbscrew and Nut



Clamp

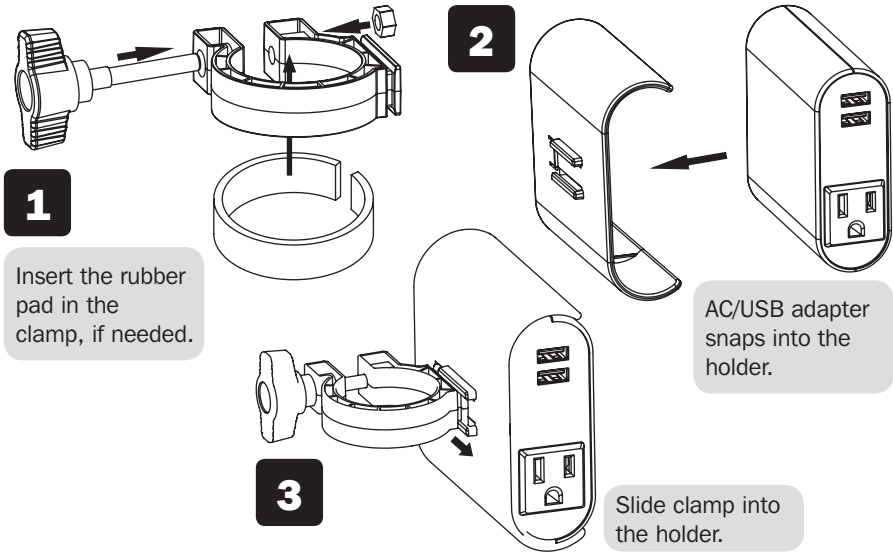


Power Cord



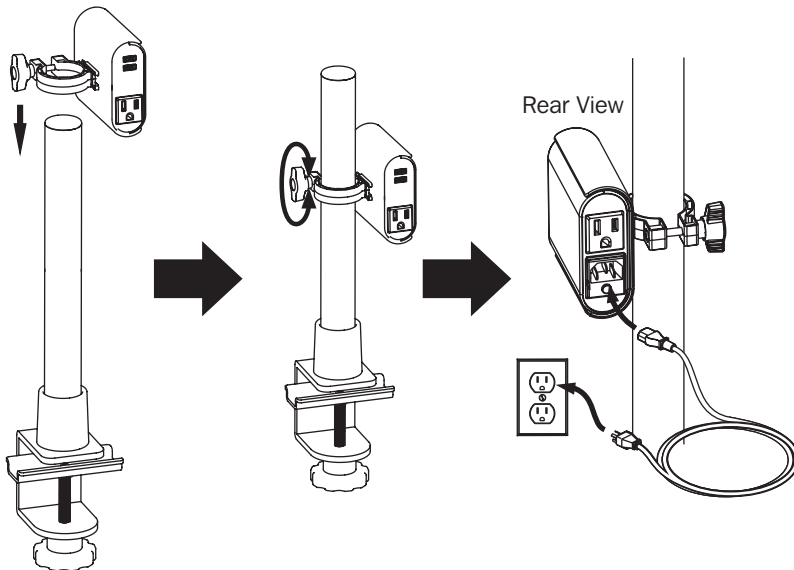
Rubber Pad

Assembly



Installation

CAUTION: Slide the AC/USB Clip onto the monitor pole **BEFORE** attaching the monitor.



Specifications

AC Input	100-125V 10A, 50/60 Hz
AC Output	(x2) 5-15R, 8A max; (x2) USB-A , 5V 2.4A; 3.4A total

Warranty and Product Registration

1-YEAR LIMITED WARRANTY

TRIPP LITE warrants its products to be free from defects in materials and workmanship for a period of one (1) year from the date of initial purchase. TRIPP LITE's obligation under this warranty is limited to repairing or replacing (at its sole option) any such defective products. To obtain service under this warranty, you must obtain a Returned Material Authorization (RMA) number from TRIPP LITE or an authorized TRIPP LITE service center. Products must be returned to TRIPP LITE or an authorized TRIPP LITE service center with transportation charges prepaid and must be accompanied by a brief description of the problem encountered and proof of date and place of purchase. This warranty does not apply to equipment, which has been damaged by accident, negligence or misapplication or has been altered or modified in any way.

EXCEPT AS PROVIDED HEREIN, TRIPP LITE MAKES NO WARRANTIES, EXPRESS OR IMPLIED, INCLUDING WARRANTIES OF MERCHANTABILITY AND FITNESS FOR A PARTICULAR PURPOSE.

Some states do not permit limitation or exclusion of implied warranties; therefore, the aforesaid limitation(s) or exclusion(s) may not apply to the purchaser.

EXCEPT AS PROVIDED ABOVE, IN NO EVENT WILL TRIPP LITE BE LIABLE FOR DIRECT, INDIRECT, SPECIAL, INCIDENTAL OR CONSEQUENTIAL DAMAGES ARISING OUT OF THE USE OF THIS PRODUCT, EVEN IF ADVISED OF THE POSSIBILITY OF SUCH DAMAGE. Specifically, TRIPP LITE is not liable for any costs, such as lost profits or revenue, loss of equipment, loss of use of equipment, loss of software, loss of data, costs of substitutes, claims by third parties, or otherwise.

PRODUCT REGISTRATION

Visit www.tripplite.com/warranty today to register your new Tripp Lite product. You'll be automatically entered into a drawing for a chance to win a FREE Tripp Lite product!*

* No purchase necessary. Void where prohibited. Some restrictions apply. See website for details.

FCC Notice, Class B

This device complies with part 15 of the FCC Rules. Operation is subject to the following two conditions: (1) This device may not cause harmful interference, and (2) this device must accept any interference received, including interference that may cause undesired operation.

Note: This equipment has been tested and found to comply with the limits for a Class B digital device, pursuant to part 15 of the FCC Rules. These limits are designed to provide reasonable protection against harmful interference in a residential installation. This equipment generates, uses and can radiate radio frequency energy and, if not installed and used in accordance with the instructions, may cause harmful interference to radio communications. However, there is no guarantee that interference will not occur in a particular installation. If this equipment does cause harmful interference to radio or television reception, which can be determined by turning the equipment off and on, the user is encouraged to try to correct the interference by one or more of the following measures:

- Reorient or relocate the receiving antenna.
- Increase the separation between the equipment and receiver.
- Connect the equipment into an outlet on a circuit different from that to which the receiver is connected.
- Consult the dealer or an experienced radio/TV technician for help.

Any changes or modifications to this equipment not expressly approved by Tripp Lite could void the user's authority to operate this equipment.

Tripp Lite has a policy of continuous improvement. Specifications are subject to change without notice.



1111 W. 35th Street, Chicago, IL 60609 USA • www.tripplite.com/support