

Installation Guide

LCD Monitor / Printer Riser

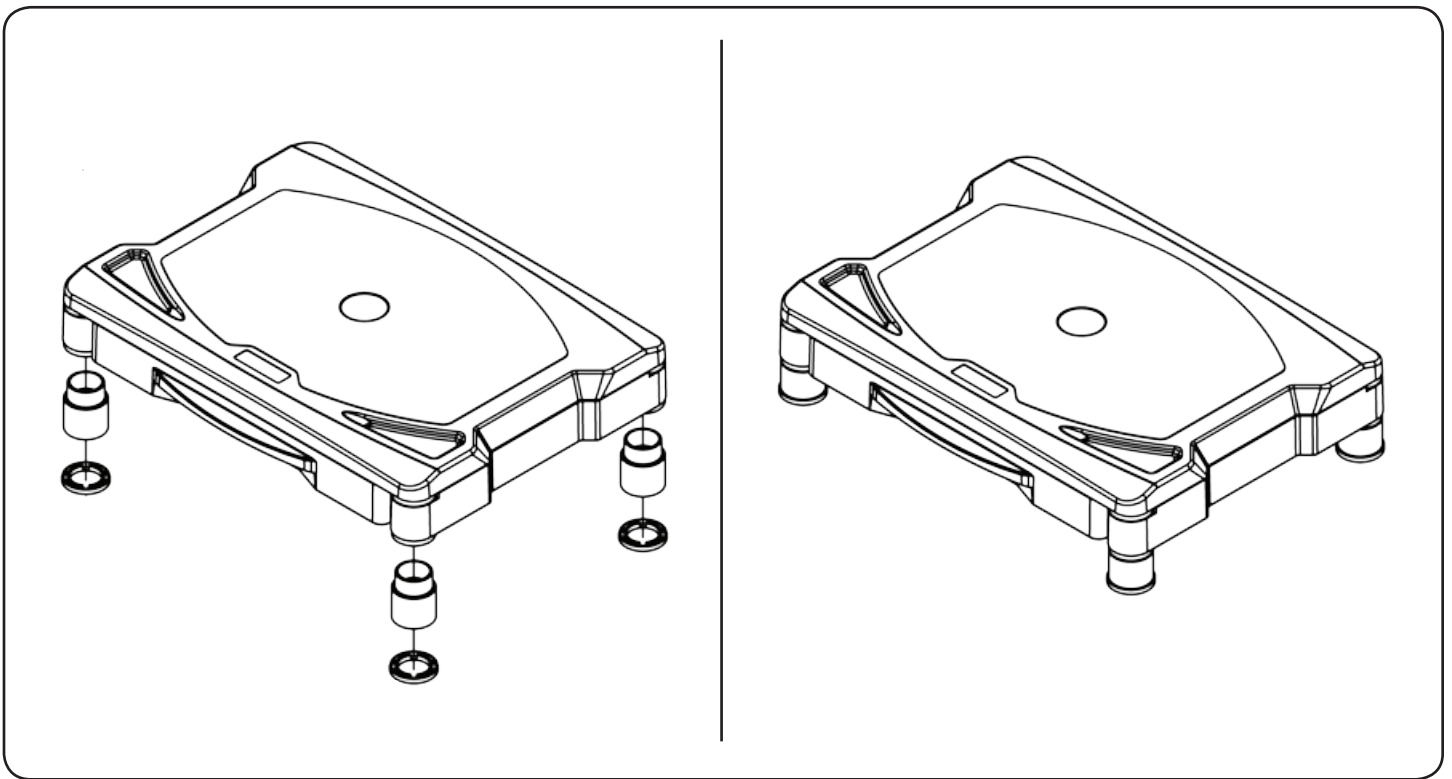
Model: MR1612D1



Riser (x8)



Rubber Ring (x4)



PROTECT YOUR INVESTMENT!

Register your product for quicker service and ultimate peace of mind.

You could also win an ISOBAR6ULTRA surge protector—a \$100 value!

www.tripplite.com/warranty



1111 W. 35th Street, Chicago, IL 60609 USA • www.tripplite.com/support

Copyright © 2016 Tripp Lite. All rights reserved.

Guía de Instalación

Plataforma para impresora / Monitor LCD

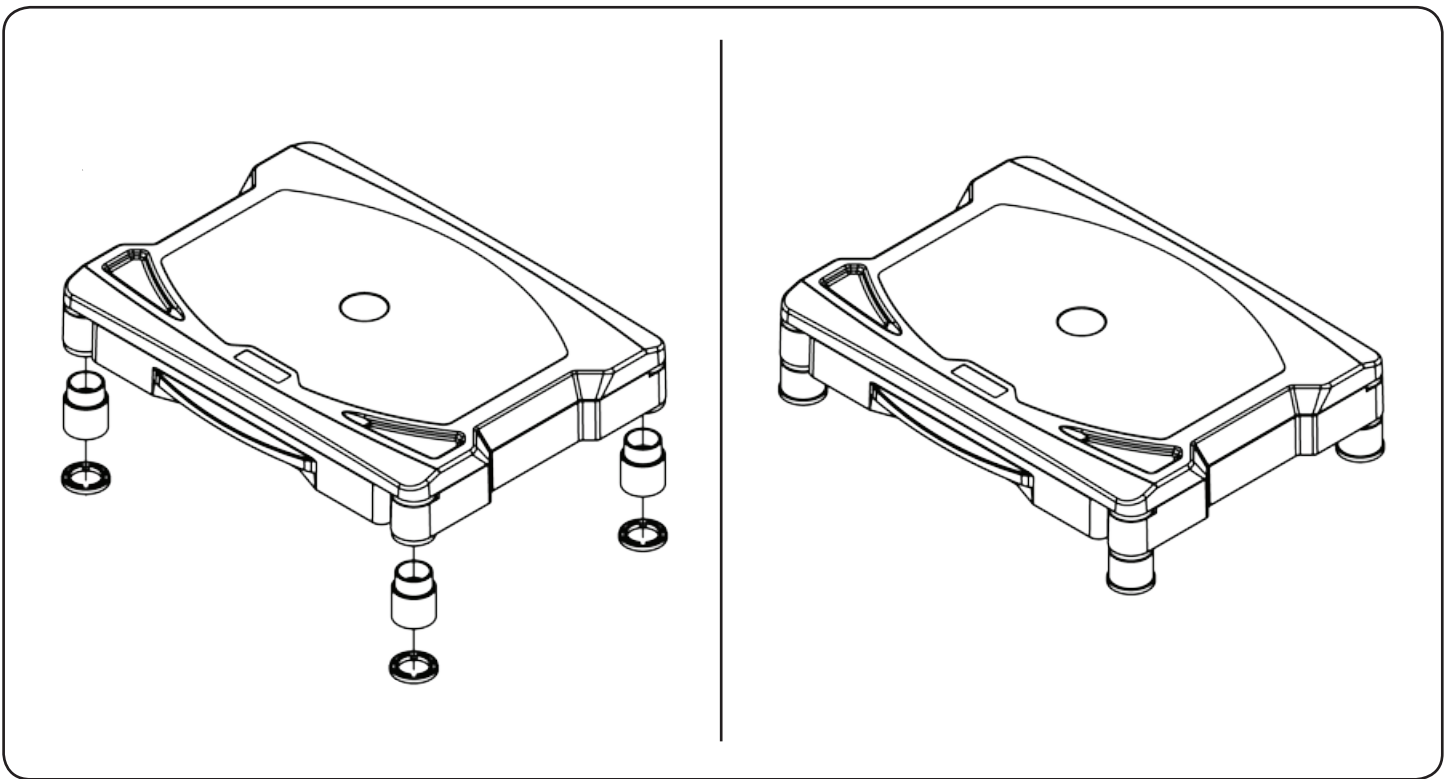
Modelo: MR1612D1



Montante Vertical (x8)



Anillo de Caucho (x4)



1111 W. 35th Street, Chicago, IL 60609 USA • www.tripplite.com/support

Copyright © 2016 Tripp Lite. Todos los derechos reservados.

Guide d'installation

Moniteur ACL/base pour imprimante

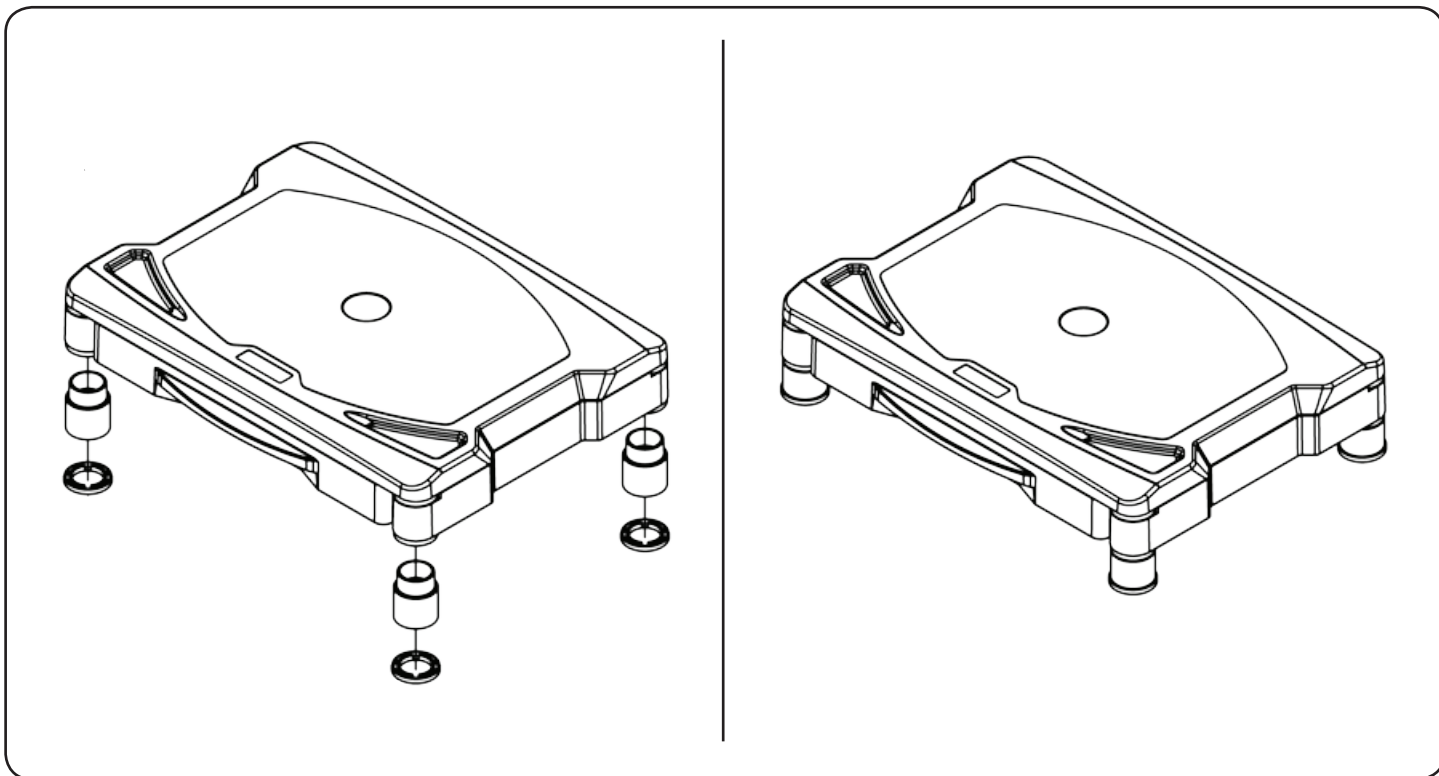
Modèle : MR1612D1



Base (x8)



Rondelle en caoutchouc (x4)



1111 W. 35th Street, Chicago, IL 60609 USA • www.tripplite.com/support

Copyright 2016 Tripp Lite. Tous droits réservés.