

Owner's Manual

Protect It![®] 3-Outlet Surge Protector with USB Charging

With Desk Clamp: TLP310USBC

With Mounting Brackets: TLP310USBS

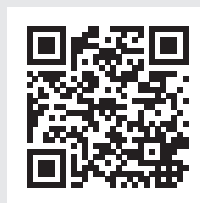
Español 5 • Français 9

Important Safety Instructions	2	Product Registration	4
Installation	2	Lifetime Limited Warranty	4
TLP310USBC Desk Clamp Model	2	Ultimate Lifetime	4
TLP310USBS Mounting Brackets Model	3	Insurance Policy	

PROTECT YOUR INVESTMENT!

Register your product for quicker service
and ultimate peace of mind.

You could also win an
ISOBAR6ULTRA surge protector—
a \$100 value!



www.tripplite.com/warranty

TRIPP·LITE



Manufacturing
Excellence.

1111 W. 35th Street, Chicago, IL 60609 USA • www.tripplite.com/support

Copyright © 2016 Tripp Lite. All rights reserved. Protect It![®] is a registered trademark of Tripp Lite.

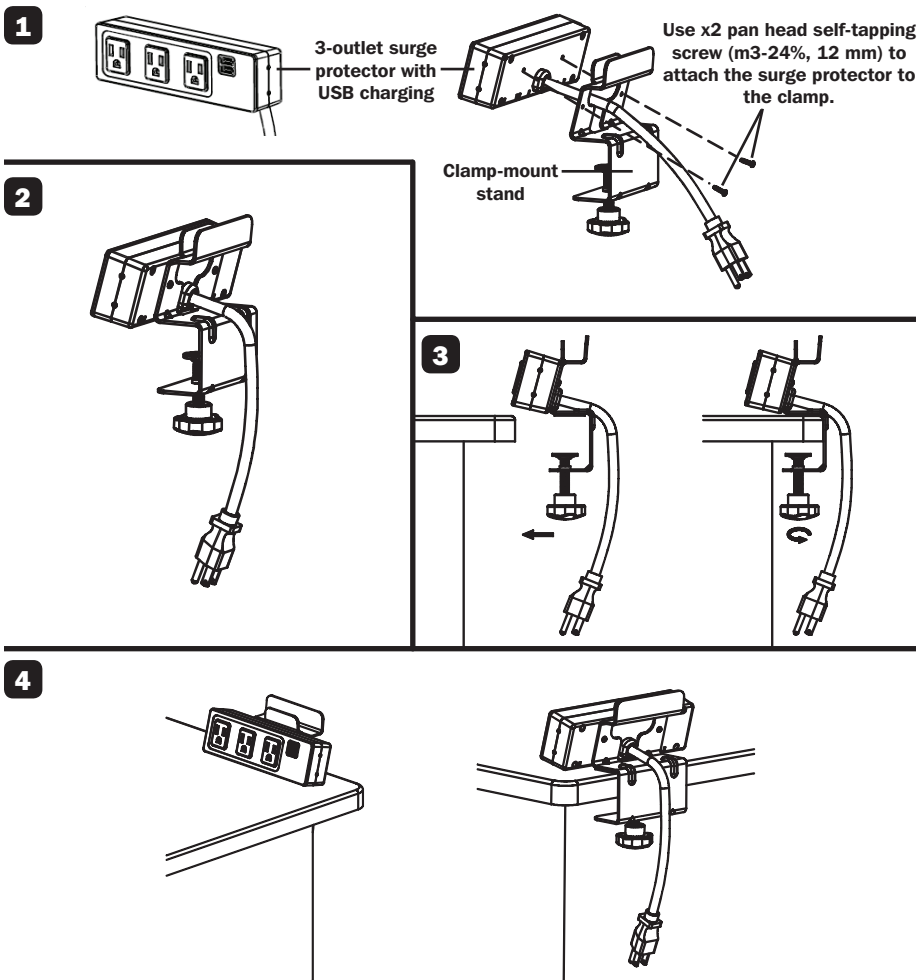
Important Safety Instructions

SAVE THESE INSTRUCTIONS

CAUTION! DO NOT connect to an ungrounded outlet. DO NOT use with 2-wire extension cords or adapters. This surge protector is designed for indoor use only. Install the surge protector away from heat-emitting appliances such as radiators or heat registers. Do not install where excessive moisture is present. Do not plug extension cords into it. Never install electrical, telephone, network or coaxial wiring during a lightning storm. Do not drill into any part of the housing or open the housing for any reason. There are no user-serviceable parts inside.

- Use of this equipment in life support applications where failure of this equipment can reasonably be expected to cause the failure of the life support equipment or to significantly affect its safety or effectiveness is not recommended. Do not use this equipment in the presence of a flammable anesthetic mixture with air, oxygen or nitrous oxide.

Installation –TLP310USBC Desk Clamp Model



Installation –TLP310USBS Mounting Brackets Model



IMPORTANT!

This unit contains two mounting hardware bags.

Use the bag as listed for the appropriate mounting installation:

Bag A – In-Desk Mounting

x2 Mounting bracket

x4 Flat head machine screw (6#32T, 1/4")

x2 Truss head self-tapping screw (M4-16T, 14 mm)

Bag B – Under/On Desk Mounting

x2 Mounting bracket

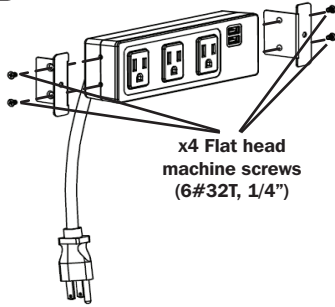
x4 Flat head machine screw (6#32T, 1/4")

x4 Truss head self-tapping screw (M4-16T, 14 mm)

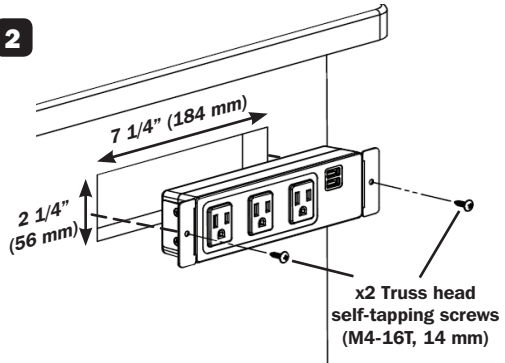
In-Desk Mounting

⚠ Use **Bag A** hardware contents for this installation.

1



2

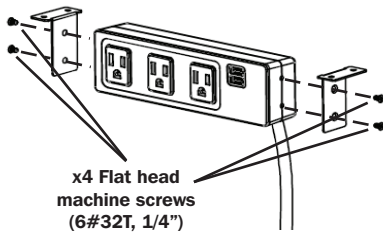


Under/On Desk Mounting

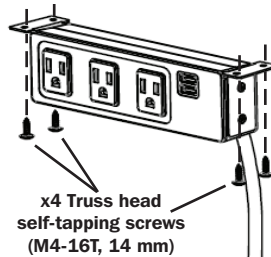
⚠ Use **Bag B** hardware contents for this installation.

Under Desk

1

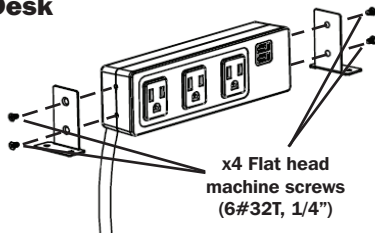


2

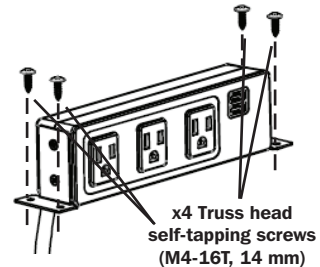


or On Desk

1



2



Product Registration

Visit www.tripplite.com/warranty today to register the warranty for your new Tripp Lite product. You'll be automatically entered into a drawing for a chance to win a FREE Tripp Lite product!*

* No purchase necessary. Void where prohibited. Some restrictions apply. See website for details.

Lifetime Limited Warranty

Seller warrants this product, if used in accordance with all applicable instructions, to be free from original defects in material and workmanship for its lifetime. If the product should prove defective in material or workmanship within that period, Seller will repair or replace the product, in its sole discretion. Service under this Warranty can only be obtained by your delivering or shipping the product (with all shipping or delivery charges prepaid) to: Tripp Lite, 1111 W. 35th St., Chicago, IL 60609. Seller will pay return shipping charges.

The warranties of all TRIPP LITE surge suppressors are null and void if they have been connected to the output of any UPS system. The warranties of all TRIPP LITE UPS Systems are null and void if a surge suppressor has been connected to its output receptacles.

THIS WARRANTY DOES NOT APPLY TO NORMAL WEAR OR TO DAMAGE RESULTING FROM ACCIDENT, MISUSE, ABUSE OR NEGLIGENCE. SELLER MAKES NO EXPRESS WARRANTIES OTHER THAN THE WARRANTY EXPRESSLY SET FORTH HEREIN. EXCEPT TO THE EXTENT PROHIBITED BY APPLICABLE LAW, ALL IMPLIED WARRANTIES, INCLUDING ALL WARRANTIES OF MERCHANTABILITY OR FITNESS, ARE LIMITED IN DURATION TO THE WARRANTY PERIOD SET FORTH ABOVE; AND THIS WARRANTY EXPRESSLY EXCLUDES ALL INCIDENTAL AND CONSEQUENTIAL DAMAGES. (Some states do not allow limitations on how long an implied warranty lasts, and some states do not allow the exclusion or limitation of incidental or consequential damages, so the above limitations or exclusions may not apply to you. This Warranty gives you specific legal rights, and you may have other rights which vary from jurisdiction to jurisdiction.)

WARNING: The individual user should take care to determine prior to use whether this device is suitable, adequate or safe for the use intended. Since individual applications are subject to great variation, the manufacturer makes no representation or warranty as to the suitability or fitness of these devices for any specific application.

The policy of Tripp Lite is one of continuous improvement. Specifications are subject to change without notice.

Regulatory Compliance Identification Numbers

For the purpose of regulatory compliance certifications and identification, your Tripp Lite product has been assigned a unique series number. The series number can be found on the product nameplate label, along with all required approval markings and information. When requesting compliance information for this product, always refer to the series number. The series number should not be confused with the marketing name or model number of the product.

Ultimate Lifetime Insurance Policy

This is a limited warranty valid in the U.S. and Canada only.

Tripp Lite warrants, for the lifetime of the product, (at Tripp Lite's option) to repair or replace (on a pro rata basis) directly connected equipment that is damaged due to power transients while properly connected to Tripp Lite products offering the Ultimate Lifetime Insurance Policy. Power transients include spikes and surges on the AC power, data or telephone lines that the Tripp Lite products have been designed to protect against (as recognized by industry standards). The following four paragraphs are conditions that must be complied with before the warranty becomes valid; failure to comply with these requirements will void the warranty.

AC Power Line Transients: To claim damages, the Tripp Lite product must be plugged into a properly wired and grounded outlet. No extension cords or other electrical connections may be used. The installation must comply with all applicable electrical and safety codes set forth by the National Electrical Code (NEC). Except as provided above, this warranty does not cover any damage to properly connected electronic equipment resulting from a cause other than an "AC power transient". If user meets all of the above requirements, Tripp Lite will repair or replace (at Tripp Lite's option) equipment up to the specified value (See Ultimate Lifetime Insurance Policy Limits). No coverage is allowed for damage entering from telephone or data lines, unless they are separately protected, as described below.

Telephone and Data Line Transients: Tripp Lite will repair or replace directly connected equipment that is damaged by transients on telephone and/or data lines only when all such paths are protected by a Tripp Lite protection product(s) and the AC power (utility) line is simultaneously protected by a Tripp Lite power protection device (UPS, surge suppressor or line conditioner) with Ultimate Lifetime Insurance coverage. Additional telephone and/or data line connected devices downstream must have their own telephone and/or dataline protectors.

Reimbursement dollar limits will be equal to that of the Tripp Lite power protection protector. Coverage is excluded where a suitable environment for the protection device is not provided, including, but not limited to, lack of a proper safety ground. Telephone service equipment must also include a properly installed and operating "primary protection" device at the telephone service entrance (such devices are normally added during telephone line installation).

All above warranties are null and void if the Tripp Lite product has been improperly installed, tampered with or altered in any way, or if the connected equipment was not used under normal operating conditions or in accordance with any labels or instructions. All claims under this warranty must be submitted in writing to Tripp Lite within 30 days of the occurrence or the claim will not be considered. This warranty does not include damage resulting from accident or misuse, and applies to the domestic (USA & Canada) use of these products only. Tripp Lite reserves the right to determine whether the damage to the connected equipment is due to malfunction of the Tripp Lite product by requesting the equipment in question be sent to Tripp Lite for examination. This policy is above and beyond, only to the extent needed, of that provided by any coverage of connected equipment provided by other sources, including, but not limited to, any manufacturer's warranty and/or any extended warranties.

EXCEPT AS PROVIDED ABOVE, TRIPP LITE MAKES NO WARRANTIES, EXPRESS OR IMPLIED, INCLUDING WARRANTIES OF MERCHANTABILITY AND FITNESS FOR A PARTICULAR PURPOSE. Some states do not permit limitation or exclusion of implied warranties; therefore, the aforesaid limitation(s) or exclusion(s) may not apply to purchaser. EXCEPT AS PROVIDED ABOVE, IN NO EVENT WILL TRIPP LITE BE LIABLE FOR DIRECT, INDIRECT, SPECIAL, INCIDENTAL OR CONSEQUENTIAL DAMAGES ARISING OUT OF THE USE OF THIS PRODUCT, EVEN IF ADVISED OF THE POSSIBILITY OF SUCH DAMAGE. Specifically, Tripp Lite is not liable for any costs, such as lost profits or revenue, loss of equipment, loss of use of equipment, loss of software, loss of data, costs of substitutes, claims by third parties or otherwise. Coverage also does not apply to connected medical and industrial equipment.

To receive service under this warranty, you must be the original purchaser/user of the product in question. You must obtain a Returned Material Authorization (RMA) number from Tripp Lite. Products must be returned to Tripp Lite with transportation charges prepaid and must be accompanied by a brief description of the problem encountered and proof of date and place of purchase



1111 W. 35th Street, Chicago, IL 60609 USA • www.tripplite.com/support

Manual del Propietario

Protect It!® Supresor de Sobretensiones de 3 Tomacorrientes con Carga USB

Con Abrazadera para Escritorio: TLP310USBC

Con Soportes de Instalación: TLP310USBS

English 1 • Français 9

Instrucciones de Seguridad Importantes	6
Instalación	6
Modelo con Abrazadera de Escritorio TLP310USBC	6
Modelo con Soportes de Instalación TLP310USBS	7
Garantía Limitada de por Vida.	8



1111 W. 35th Street, Chicago, IL 60609 EE. UU. • www.tripplite.com/support

Copyright © 2016 Tripp Lite. Todos los derechos reservados.
Protect It!® es una marca registrada Tripp Lite.

Instrucciones de Seguridad Importantes

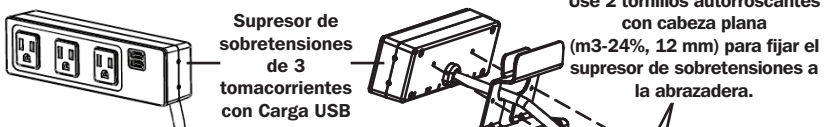
CONSERVE ESTAS INSTRUCCIONES

¡PRECAUCIÓN! NO conecte a un tomacorriente sin conexión a tierra. NO use con cables de extensión de 2 hilos o adaptadores. Este Supresor de Sobretensiones está diseñado para uso en interiores solamente. Instale el Supresor de Sobretensiones alejado de aparatos emisores de calor como radiadores o registros de calor. No lo instale en donde haya humedad excesiva. No enchufe cables de extensión en él. Nunca instale cableado eléctrico, telefónico o de red durante una tormenta eléctrica. No barrene en parte alguna del gabinete o abra el alojamiento por alguna razón. No contiene partes a las que el usuario pueda dar servicio.

- No se recomienda el uso de este equipo en aplicaciones de soporte de vida en donde la falla de este equipo pueda razonablemente causar la falla del equipo de soporte de vida o afectar significativamente su seguridad o efectividad. No use este equipo en presencia de una mezcla inflamable de anestésicos con aire, oxígeno u óxido nítrico.

Instalación –Modelo con Abrazadera de Escritorio TLP310USBC

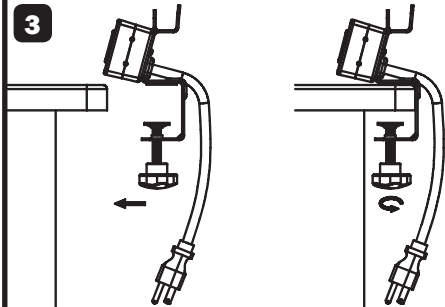
1



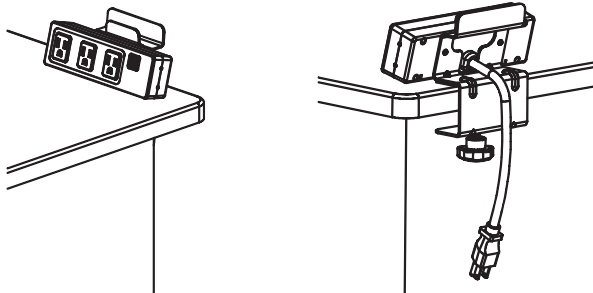
2



3



4



Instalación –Modelo con Soportes de Instalación TLP310USBS



¡¡IMPORTANTE!

Esta unidad contiene dos bolsas de accesorios de instalación.
Use la bolsa como se indica para la instalación apropiada del soporte.

Bolsa A – Instalación en Escritorio

x2 Soporte para Instalación
x4 Tornillo de cabeza plana (6#32T, 1/4")
x2 Tornillo autorroscante con cabeza en cruz (M4-16T, 14 mm)

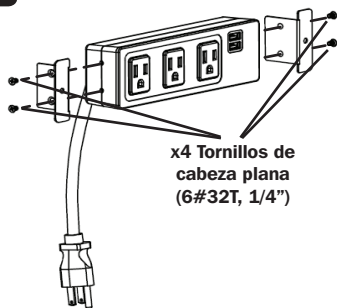
Bag B – Instalación Sobre / Debajo de Escritorio

x2 Soporte para Instalación
x4 Tornillo de cabeza plana (6#32T, 1/4")
x2 Tornillo autorroscante con cabeza en cruz (M4-16T, 14 mm)

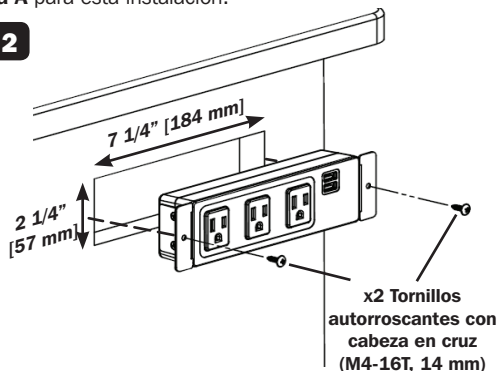
Instalación en Escritorio

⚠ Use los accesorios contenidos en la **Bolsa A** para esta instalación.

1



2

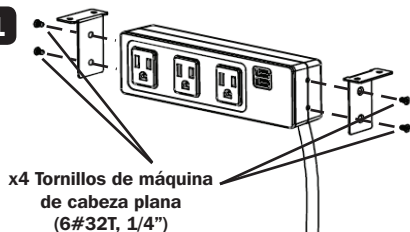


Instalación Sobre / Debajo del Escritorio

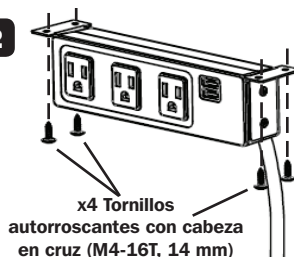
⚠ Use los accesorios contenidos en la **Bolsa B** para esta instalación.

Bajo el Escritorio

1

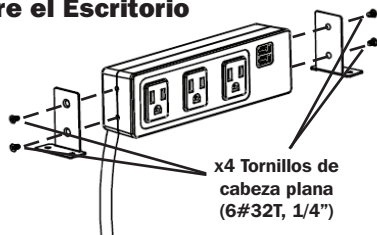


2

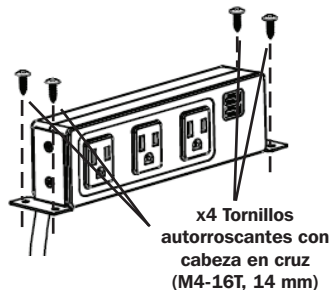


Sobre el Escritorio

1



2



Garantía limitada de por vida

El vendedor garantiza este producto, si se usa de acuerdo con todas las instrucciones aplicables, de que está libre de defectos en material y mano de obra por su vida útil. Si el producto resulta defectuoso en material o mano de obra dentro de ese período, el vendedor reparará o reemplazará el producto a su entera discreción. El servicio bajo esta garantía sólo puede obtenerse enviando o embarcando el producto (con todos los cargos de envío o embarque prepagados) a: Tripp Lite, 1111 W. 35th Street, Chicago, IL 60609, USA. El vendedor reembolsará los cargos de embarque.

Las garantías de todos los supresores de sobretensiones de Tripp Lite son nulas e inválidas si han sido conectados a la salida de un sistema UPS. Las garantías de todos los Sistemas UPS de Tripp Lite son nulas e inválidas si un supresor de sobretensiones ha sido conectado a sus tomacorrientes.

ESTA GARANTÍA NO SE APLICA AL DESGASTE NORMAL O A LOS DAÑOS QUE RESULTEN DE ACCIDENTES, USO INCORRECTO, USO INDEBIDO O NEGLIGENCIA. EL VENDEDOR NO OTORGA GARANTÍAS EXPRESAS DISTINTAS DE LA ESTIPULADA EN EL PRESENTE. SALVO EN LA MEDIDA EN QUE LO PROHIBAN LAS LEYES APLICABLES, TODAS LAS GARANTÍAS IMPLÍCITAS, INCLUYENDO TODAS LAS GARANTÍAS DE COMERCIALIZACIÓN O IDONEIDAD, ESTÁN LIMITADAS EN DURACIÓN AL PERÍODO DE GARANTÍA ESTABLECIDO; ASIMISMO, ESTA GARANTÍA EXCLUYE EXPRESAMENTE TODOS LOS DAÑOS INCIDENTALES E INDIRECTOS. (Algunos estados no permiten limitaciones en cuanto dura una garantía y algunos estados no permiten la exclusión de limitación de daños incidentales o indirectos, de modo que las limitaciones anteriores pueden no aplicar para usted. Esta Garantía le otorga derechos legales específicos y usted puede tener otros derechos que pueden variar de una jurisdicción a otra).

ADVERTENCIA: Antes de usarlo, cada usuario debe tener cuidado al determinar si este dispositivo es adecuado o seguro para el uso previsto. Ya que las aplicaciones individuales están sujetas a gran variación, el fabricante no garantiza la adecuación de estos dispositivos para alguna aplicación específica.

Tripp Lite tiene una política de mejora continua. Las especificaciones están sujetas a cambios sin previo aviso.

Números de Identificación de Conformidad Regulatoria

Para el propósito de certificaciones e identificación de conformidad con las normas, su producto Tripp Lite ha recibido un número de serie exclusivo. El número de serie puede encontrarse en la etiqueta de placa de identificación, junto con todas las marcas e información requeridas de aprobación. Al solicitar información de conformidad para este producto, refiérase siempre al número de serie. El número de serie no debe confundirse con el nombre de la marca o el número de comercialización del producto.



1111 W. 35th Street, Chicago, IL 60609 EE. UU. • www.triplite.com/support

Manuel de l'utilisateur

Parasurtenseur à 3 sorties avec chargement USB Protect It!®

Avec bride pour bureau : TLP310USBC

Avec supports de montage : TLP310USBS

English 1 • Español 5

Consignes de sécurité importantes	10
Installation	10
Modèle avec bride pour bureau TLP310USBC	10
Modèle avec supports de montage TLP310USBS	11
Garantie à vie limitée	12
Police d'assurance à vie ultime	12



1111 W. 35th Street, Chicago, IL 60609 USA • www.triplite.com/support

Droits d'auteur © 2016 Tripp Lite. Tous droits réservés.
Protect It!® est une marque de commerce enregistrée de Tripp Lite.

Consignes de sécurité importantes

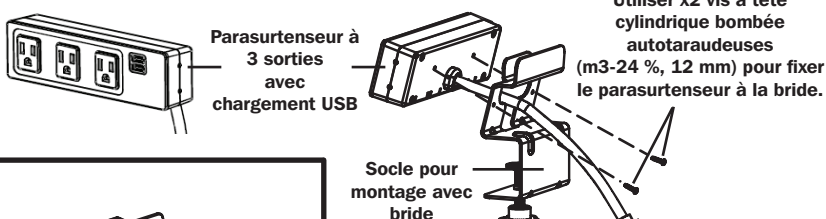
CONSERVEZ CES INSTRUCTIONS

MISE EN GARDE! NE PAS raccorder à une prise non mise à la masse. NE PAS utiliser avec des rallonges électriques à 2 fils ou des adaptateurs. Ce parasurtenseur est conçu pour être utilisé à l'intérieur uniquement. Installer le parasurtenseur à l'écart des appareils de chauffage tels que les chaufferettes ou les registres de chaleur. Ne pas installer dans un endroit où il y a de l'humidité excessive. Ne pas brancher de rallonges dans le parasurtenseur. Ne jamais installer d'équipement électrique, un téléphone, un câble coaxial ou de réseau durant un orage. Ne pas percer ou tenter d'ouvrir une quelconque partie du boîtier, quelle que soit la raison. Il n'existe aucune pièce réparable par l'utilisateur à l'intérieur.

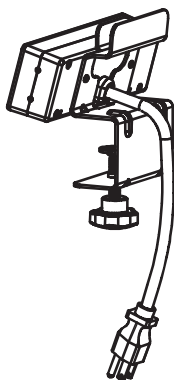
- Il n'est pas recommandé d'utiliser cet équipement pour des appareils de survie où une défaillance de cet équipement peut, selon toute vraisemblance, entraîner la défaillance de l'appareil de maintien de la vie ou affecter de façon majeure sa sécurité ou son efficacité. Ne pas utiliser cet équipement dans un milieu où il existe un mélange anesthésique inflammable d'air, d'oxygène ou d'oxyde nitreux.

Installation –TLP310USBC Modèle avec bride pour bureau

1

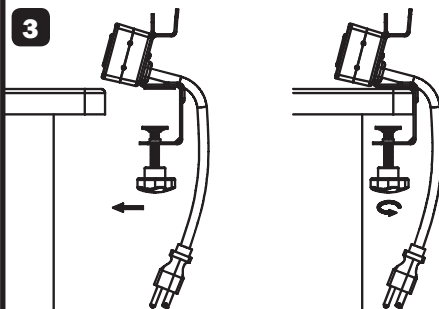


2

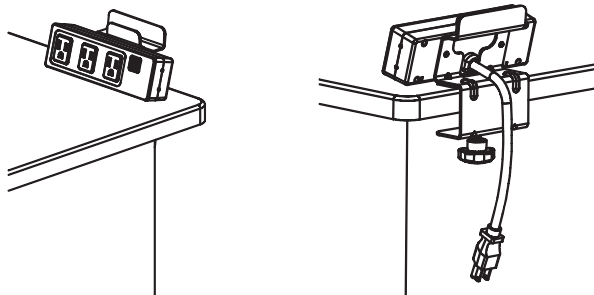


Socle pour montage avec bride

3



4



Installation – Modèle avec supports de montage TLP310USBS



IMPORTANT!

Cet appareil comporte deux sacs de quincaillerie de montage.

Utiliser le sac tel que mentionné pour l'installation de montage appropriée :

Sac A – Montage dans le bureau

x2 support de montage

x4 vis de mécanique à tête fraisée (6#32T, 1/4 po)

x2 vis à tête bombée autotaraudeuse

(M4-16T, 14 mm)

Sac B – Montage sous/sur le bureau

x2 supports de montage

x4 vis de mécanique à tête fraisée (6#32T, 1/4 po)

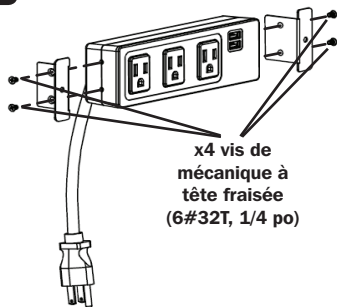
x4 vis à tête bombée autotaraudeuse

(M4-16T, 14 mm)

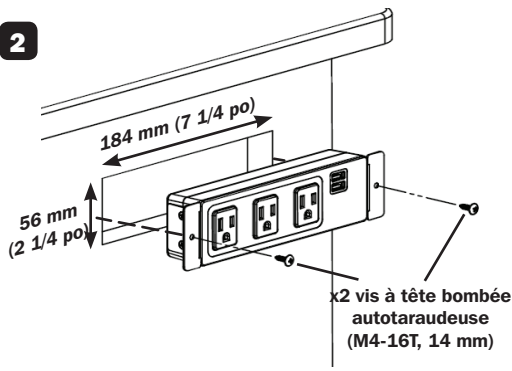
Montage dans le bureau

⚠ Utiliser la quincaillerie du **Sac A** pour cette installation.

1



2

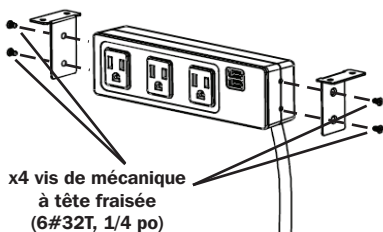


Montage sous/sur le bureau

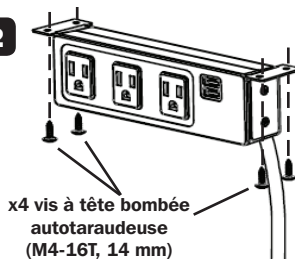
⚠ Utiliser la quincaillerie du **Sac B** pour cette installation.

Sous le bureau

1



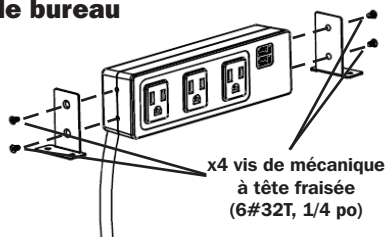
2



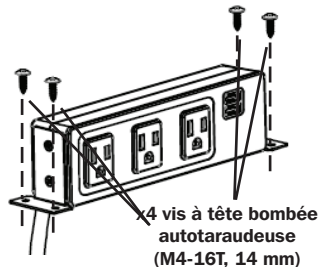
ou

Sur le bureau

1



2



Garantie à vie limitée

Le vendeur garantit que ce produit, s'il est utilisé conformément à toutes les instructions applicables, est exempt de tous défauts de matériaux et de fabrication pendant toute sa durée de vie. Si le produit s'avère défectueux en raison d'un vice de matière ou de fabrication au cours de cette période, le vendeur s'engage à réparer ou remplacer le produit, à sa seule discrétion. Le service sous cette garantie ne peut être obtenu qu'en livrant ou en expédiant le produit (avec tous les frais d'expédition ou de livraison prépayés) à : Tripp Lite, 1111 W. 35th St., Chicago, IL 60609. Le vendeur paiera les frais d'expédition de retour.

Les garanties de tous les parasurtenseurs TRIPP LITE seront annulées s'ils ont été branchés à la sortie d'un onduleur. Les garanties de tous les onduleurs TRIPP LITE seront annulées si un parasurtenseur a été branché à ses prises de sorties.

CETTE GARANTIE NE S'APPLIQUE PAS À L'USURE NORMALE OU AUX DOMMAGES RÉSULTANT D'UNE MAUVAISE UTILISATION, D'UN ABUS OU D'UNE NÉGLIGENCE. LE VENDEUR NE DONNE AUCUNE GARANTIE EXPRESSE AUTRE QUE LA GARANTIE EXPRESSÉMENT DÉCRITE DANS LE PRÉSENT DOCUMENT. SAUF DANS LA MESURE INTERDITE PAR LA LOI APPLICABLE, TOUTE GARANTIE IMPLICITE, Y COMPRIS TOUTES LES GARANTIES DE QUALITÉ MARCHANDE OU D'ADAPTATION, SONT LIMITÉES À LA PÉRIODE DE GARANTIE CI-DESSUS ET CETTE GARANTIE EXCLUT EXPRESSÉMENT TOUS DOMMAGES DIRECTS ET INDIRECTS. (Certains États ne permettent pas de limitations sur la durée d'une garantie implicite, et certains États ne permettent pas l'exclusion ou la limitation des dommages fortuits ou consécutifs, de sorte que les limitations ou exclusions susmentionnées peuvent ne pas s'appliquer à vous. Cette garantie vous donne des droits légaux spécifiques, et vous pouvez avoir d'autres droits qui varient selon le territoire).

AVERTISSEMENT : L'utilisateur individuel doit prendre soin de déterminer avant l'utilisation si cet appareil est approprié, adéquat et sûr pour l'usage prévu. Puisque les utilisations individuelles sont sujettes à des variations importantes, le fabricant ne fait aucune déclaration ou garantie quant à l'aptitude ou l'adaptation de ces dispositifs pour une application spécifique.

La politique de Tripp Lite en est une d'amélioration continue. Les caractéristiques techniques sont sujettes à changement sans préavis.

Numéros d'identification à la conformité réglementaire

À des fins de certification de conformité réglementaire et d'identification, un numéro de série unique a été attribué au produit Tripp Lite. Le numéro de série ainsi que toutes les marques d'homologation et les renseignements requis se trouvent sur la plaque signalétique du produit. Lors d'une demande de renseignements concernant la conformité de ce produit, toujours se reporter au numéro de série. Le numéro de série ne doit pas être confondu avec le nom de la marque ou le numéro de modèle du produit.

Police d'assurance à vie ultime

Il s'agit d'une garantie limitée valide aux États-Unis et au Canada uniquement.

Tripp Lite garantit, pour la durée de vie du produit (à la discrétion de Tripp Lite), de réparer ou remplacer (au prorata) l'équipement directement branché qui est endommagé suite à des transitoires de puissance alors qu'il était correctement connecté à des produits Tripp Lite offrant la police d'assurance à vie ultime. Les transitoires de puissance incluent des surtensions et des pointes sur l'alimentation CA, les lignes de données ou de téléphone que les produits Tripp Lite ont été conçus pour protéger (comme reconnu par les normes de l'industrie). Les quatre paragraphes suivants représentent des conditions qui doivent être respectées avant que la garantie puisse devenir valide; le non-respect de ces exigences annulera la garantie.

Transitoires de ligne d'alimentation CA : pour réclamer des dommages, le produit Tripp Lite doit être branché dans une prise correctement câblée et mise à la terre. Ne pas utiliser de rallonges ou autres raccordements électriques. L'installation doit être conforme à tous les codes de sécurité et d'électricité applicables établis par le National Electrical Code (NEC). À l'exception des cas décrits ci-dessus, la présente garantie ne couvre pas les dommages à l'équipement électrique correctement raccordé résultant d'une cause autre qu'un transitoire de puissance CA. Si l'utilisateur satisfait à toutes les exigences ci-dessus, Tripp Lite réparera ou remplacera (à sa seule discrétion) l'équipement jusqu'à la valeur précisée (voir les limites de la police d'assurance à vie ultime). Aucune couverture n'est permise pour les dommages provenant des lignes téléphoniques ou de données, à moins qu'elles ne soient protégées séparément, comme décrit ci-dessous.

Transitoires de ligne téléphonique ou de données : Tripp Lite réparera ou remplacera l'équipement directement connecté qui est endommagé par des transitoires sur les lignes téléphoniques ou de données uniquement lorsque de telles configurations sont protégées par un ou des produits de protection Tripp Lite et que la ligne d'alimentation CA (secteur) est simultanément protégée par un appareil de protection contre les surtensions Tripp Lite (onduleur, parasurtenseur ou filtre de secteur) avec la couverture d'assurance à vie ultime. Les appareils supplémentaires connectés à une ligne téléphonique ou de données en aval doivent avoir leur propre dispositif de protection de ligne téléphonique ou de données.

Les limites de remboursement en dollars seront égales à la valeur des parasurtenseurs Tripp Lite. La couverture est exclue lorsqu'un environnement approprié n'est pas fourni pour le dispositif de protection, y compris, sans s'y limiter, l'absence d'une mise à la terre appropriée. L'équipement du service téléphonique doit également inclure un dispositif de fonctionnement avec une « protection principale » au niveau de l'entrée du service téléphonique (de tels dispositifs sont normalement ajoutés durant l'installation de la ligne téléphonique).

Toutes les garanties ci-dessus seront annulées sur le produit Tripp Lite qui n'a pas été correctement installé, a été altéré ou modifié d'une façon quelconque, ou si l'équipement connecté n'a pas été utilisé dans des conditions de fonctionnement normales ou conformément aux étiquettes ou aux instructions. Toutes les réclamations en vertu de la présente garantie doivent être soumises par écrit à Tripp Lite dans les 30 jours suivant l'incident ou la réclamation ne sera pas prise en considération. La présente garantie n'inclut pas les dommages résultant d'un accident ou d'une mauvaise utilisation, et s'applique à l'usage domestique (États-Unis et Canada) de ces produits uniquement. Tripp Lite se réserve le droit de déterminer si le dommage à l'équipement connecté est dû au mauvais fonctionnement du produit Tripp Lite en demandant que l'équipement en question soit envoyé à Tripp Lite pour être examiné. La présente police s'ajoute, uniquement dans la mesure nécessaire, à celle fournie par toute couverture de l'équipement connecté fournie par d'autres sources, y compris, sans s'y limiter, toute garantie ou garantie prolongée du fabricant.

SAUF INDICATION CONTRAIRE CI-DESSUS, TRIPP LITE N'ÉMET AUCUNE GARANTIE, EXPRESSE OU TACITE, Y COMPRIS DES GARANTIES DE QUALITÉ COMMERCIALE ET D'ADAPTATION À UN USAGE PARTICULIER. Certains États n'autorisent pas la limitation ni l'exclusion de garanties tacites, les limitations ou exclusions susmentionnées peuvent ne pas s'appliquer à l'acheteur. À L'EXCEPTION DES DISPOSITIONS CI-DESSUS, TRIPP LITE NE POURRA EN AUCUN CAS ÊTRE TENUE RESPONSABLE DE DOMMAGES DIRECTS, INDIRECTS, SPÉCIAUX, FORTUITS OU CONSÉCUTIFS RÉSULTANT DE L'UTILISATION DE CE PRODUIT, MÊME SI AYANT ÉTÉ AVISÉ DE L'ÉVENTUALITÉ DE TELS DOMMAGES. Plus précisément, Tripp Lite ne pourra être tenu responsable de coûts, tels que perte de bénéfices ou de recettes, perte de matériel, impossibilité d'utilisation du matériel, perte de logiciel, perte de données, frais de produits de remplacement, réclamations d'un tiers ou autres. La couverture ne s'applique pas également à l'équipement médical et industriel connecté.

Pour obtenir un service en vertu de la présente garantie, vous devez être l'acheteur/utilisateur d'origine du produit en question. Vous devez obtenir un numéro d'autorisation de retour de matériel (RMA) auprès de Tripp Lite. Les produits doivent être retournés à Tripp Lite en port prépayé et être accompagnés d'une brève description du problème et d'un justificatif de la date et du lieu d'achat.



1111 W. 35th Street, Chicago, IL 60609 USA • www.triplite.com/support