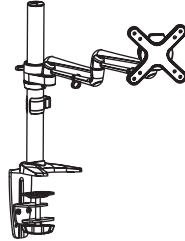


Owner's Manual

Single Flat Screen Flex Arm Desk Clamp

MODEL: DDR1327SFC



CAUTION: DO NOT EXCEED MAXIMUM LISTED WEIGHT CAPACITY. SERIOUS INJURY OR PROPERTY DAMAGE MAY OCCUR!



75x75/100x100



10kg
(22lbs)
MAX

Este manual esta disponible en español en la página de Tripp Lite: www.tripplite.com

Ce manuel est disponible en français sur le site Web de Tripp Lite : www.tripplite.com

Русскоязычная версия настоящего руководства представлена на веб-сайте компании Tripp Lite по адресу: www.tripplite.com

Dieses Handbuch ist in deutscher Sprache auf der Tripp Lite-Website verfügbar: www.tripplite.com

PROTECT YOUR INVESTMENT!

Register your product for quicker service and ultimate peace of mind.

You could also win an ISOBAR6ULTRA surge protector—a \$50 value!

www.tripplite.com/warranty

TRIPP·LITE



1111 W. 35th Street, Chicago, IL 60609 USA • www.tripplite.com/support

Copyright © 2014 Tripp Lite. All rights reserved.

NOTE: Read the entire instruction manual before you start installation and assembly.



WARNING

- Do not begin the installation until you have read and understood the instructions and warnings contained in this manual. If you have any questions regarding any of the instructions or warnings, please visit www.tripplite.com/support.
- This mounting bracket was designed to be installed and utilized **ONLY** as specified in this manual. Improper installation of this product may cause damage or serious injury.
- This product should only be installed by someone of good mechanical ability, with basic building experience and a full understanding of this manual.
- Make sure that the mounting surface can safely support the combined load of the equipment and all attached hardware and components.
- Always use an assistant or mechanical lifting equipment to safely lift and position equipment.
- Tighten screws firmly, but do not over-tighten. Over-tightening can damage the items, greatly reducing their holding power.
- This product is intended for indoor use only. Using this product outdoors could lead to product failure and personal injury.

Warranty & Product Registration

5-Year Limited Warranty

Seller warrants this product, if used in accordance with all applicable instructions, to be free from original defects in material and workmanship for a period of 5 years from the date of initial purchase. If the product should prove defective in material or workmanship within that period, Seller will repair or replace the product, in its sole discretion.

THIS WARRANTY DOES NOT APPLY TO NORMAL WEAR OR TO DAMAGE RESULTING FROM ACCIDENT, MISUSE, ABUSE OR NEGLIGENCE. SELLER MAKES NO EXPRESS WARRANTIES OTHER THAN THE WARRANTY EXPRESSLY SET FORTH HEREIN. EXCEPT TO THE EXTENT PROHIBITED BY APPLICABLE LAW, ALL IMPLIED WARRANTIES, INCLUDING ALL WARRANTIES OF MERCHANTABILITY OR FITNESS, ARE LIMITED IN DURATION TO THE WARRANTY PERIOD SET FORTH ABOVE; AND THIS WARRANTY EXPRESSLY EXCLUDES ALL INCIDENTAL AND CONSEQUENTIAL DAMAGES. (Some states do not allow limitations on how long an implied warranty lasts, and some states do not allow the exclusion or limitation of incidental or consequential damages, so the above limitations or exclusions may not apply to you. This warranty gives you specific legal rights, and you may have other rights which vary from jurisdiction to jurisdiction).

WARNING: The individual user should take care to determine prior to use whether this device is suitable, adequate or safe for the use intended. Since individual applications are subject to great variation, the manufacturer makes no representation or warranty as to the suitability or fitness of these devices for any specific application.

PRODUCT REGISTRATION

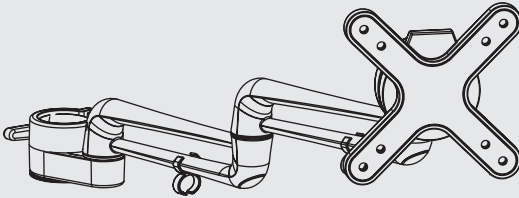
Visit www.tripplite.com/warranty today to register your new Tripp Lite product. You'll be automatically entered into a drawing for a chance to win a FREE Tripp Lite product!*

* No purchase necessary. Void where prohibited. Some restrictions apply. See website for details.

Tripp Lite has a policy of continuous improvement. Specifications are subject to change without notice.

Component Checklist

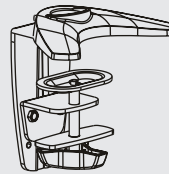
IMPORTANT: Ensure that you have received all parts according to the component checklist prior to installing. If any parts are missing or faulty, visit www.triplite.com/support for service.



Adapter Bracket Assembly (x1)

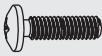


Pole (x1)

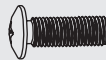


Desk Clamp Assembly (x1)

Package M



M4X14 (x4)



M5X14 (x4)



D5 Washer (x4)

Package P



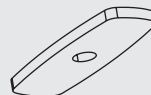
3mm Hex Key (x1)



4mm Hex Key (x1)

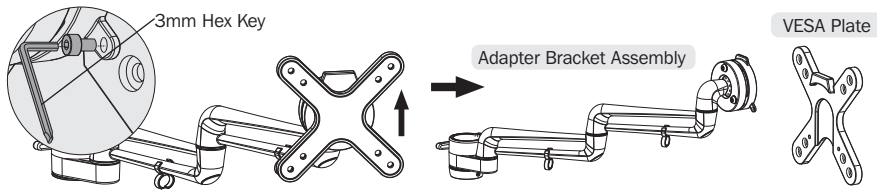


Base Plate (x1)



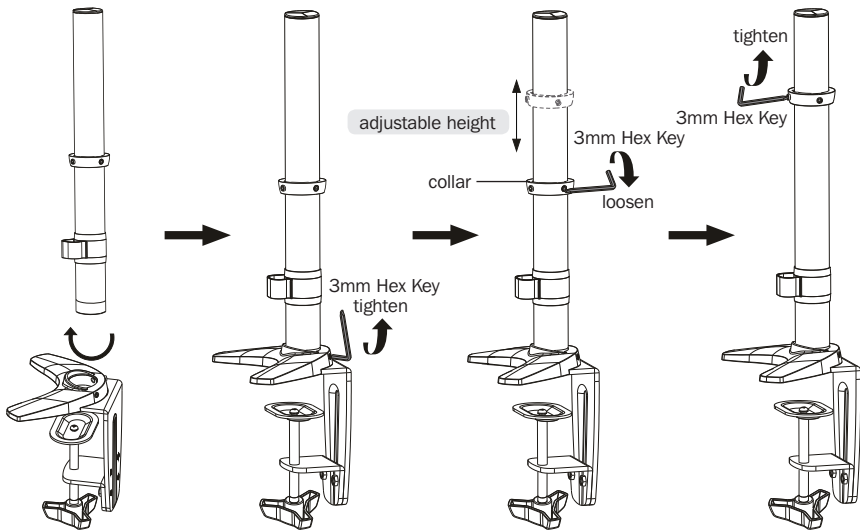
Pad (x1)

1. Remove the VESA Plate



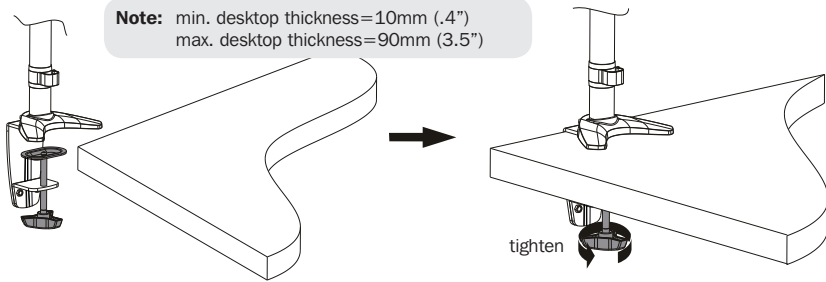
- Use Hex Key to loosen the screws in order to separate the VESA plate from the Adapter Bracket Assembly.
- Retain these screws for later use.

2. Install the Pole and Desk Clamp Assembly

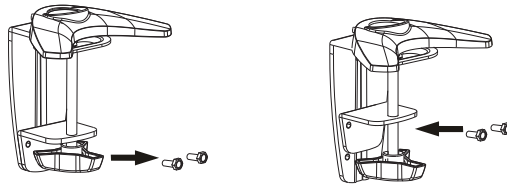


3. Desk Installation

3a. Edge Installation



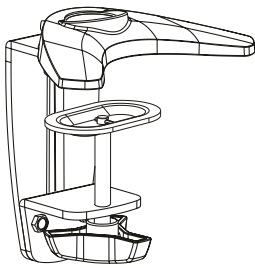
- Determine approximate location for mount, keeping in mind display size, height adjustment and pitch/roll requirements.
- Slip the desk mount assembly over the edge of desk so that clamp fully contacts desk edge.
- Turn the knob to adjust the clamp to edge of desk and secure it tightly.



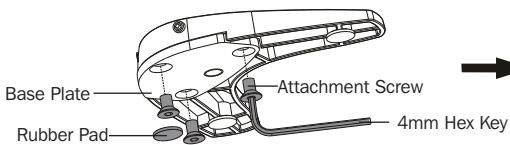
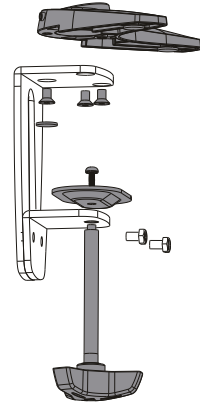
Note: If more secure clamping pressure is needed for thinner desktop surfaces, adjust the clamp adjustment plate by removing the two screws from the desk clamp assembly, then align the clamp adjustment plate with the desk clamp assembly's upper holes and reattach using the same screws.

3. Desk Installation

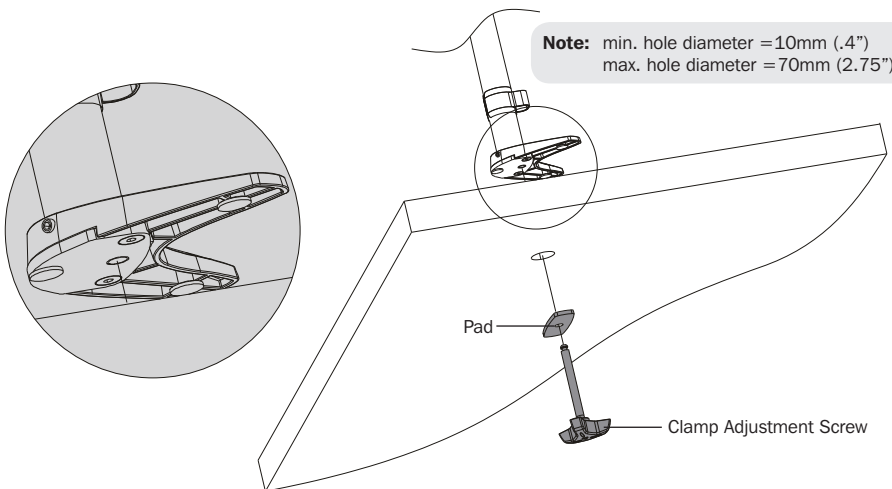
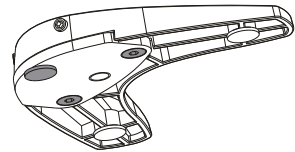
3b. Hole Installation



Disassemble the desk clamp assembly by removing the clamp adjustment screw, the two clamp adjustment plate screws and the base plate's three attachment screws.

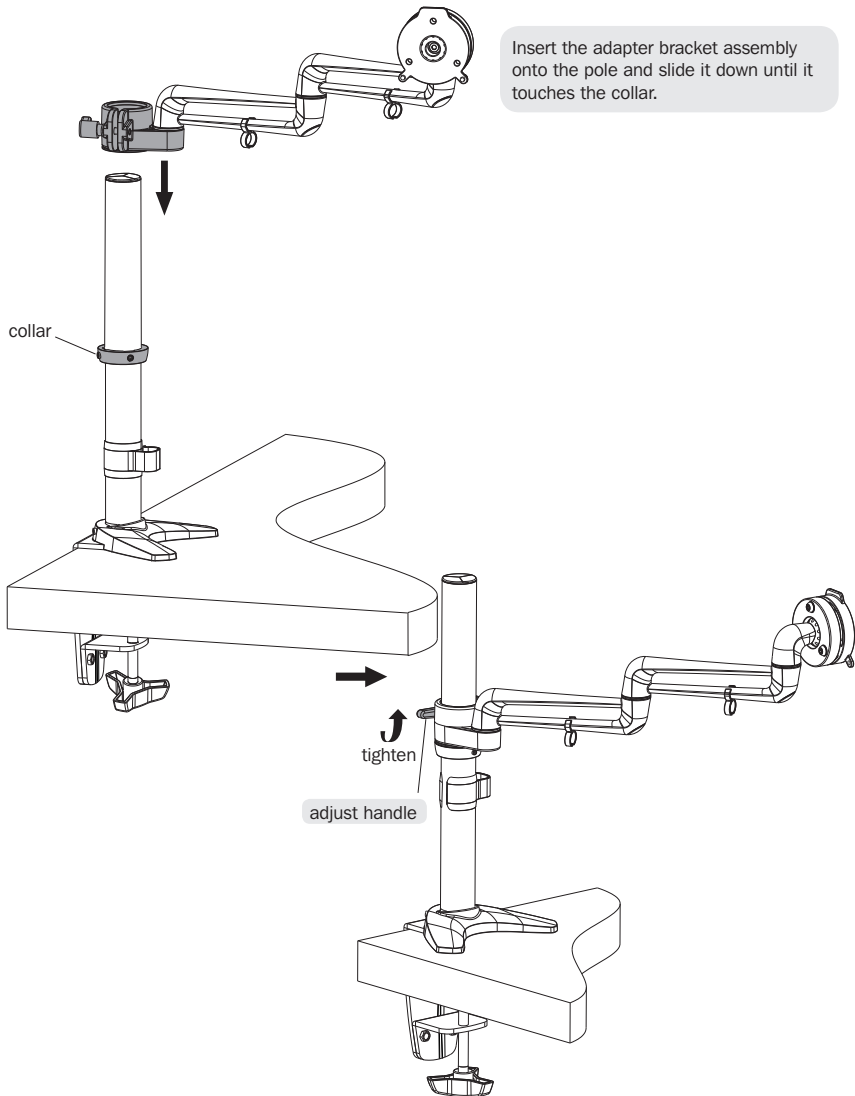


Re-install the base plate with three retained attachment screws. Tighten securely.



From below the desk, insert retained clamp adjustment screw through pad and up through the hole in the desk. Thread screw by turning the knob into base plate, but do not tighten completely at this time. Center the desk mount assembly over the hole and then securely tighten the Clamp Adjustment Screw.

4. Install Adapter Bracket Assembly

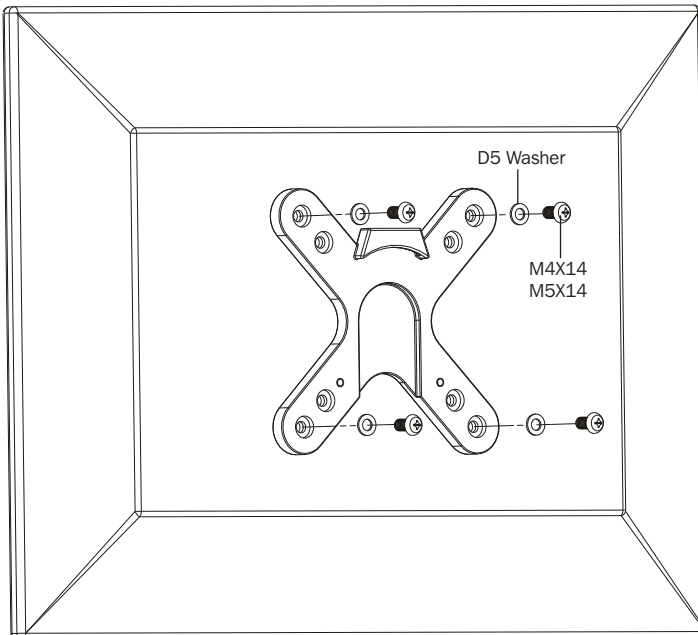
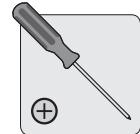
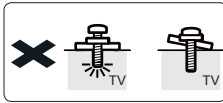
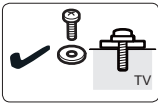
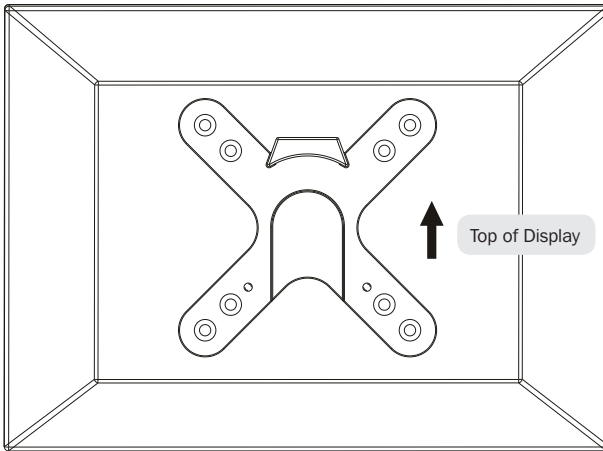


To tighten the adapter bracket assembly, push the plastic handle in and turn upward until it can turn no more. Then pull the plastic handle out to disengage from the hex bolt and turn it down to the bottom position. Once again, tighten by pushing the plastic handle in and turning upward until it can turn no more. Continue process until firmly secured.

Note: Repeat the same process to loosen, except push the plastic handle downward from the top position.

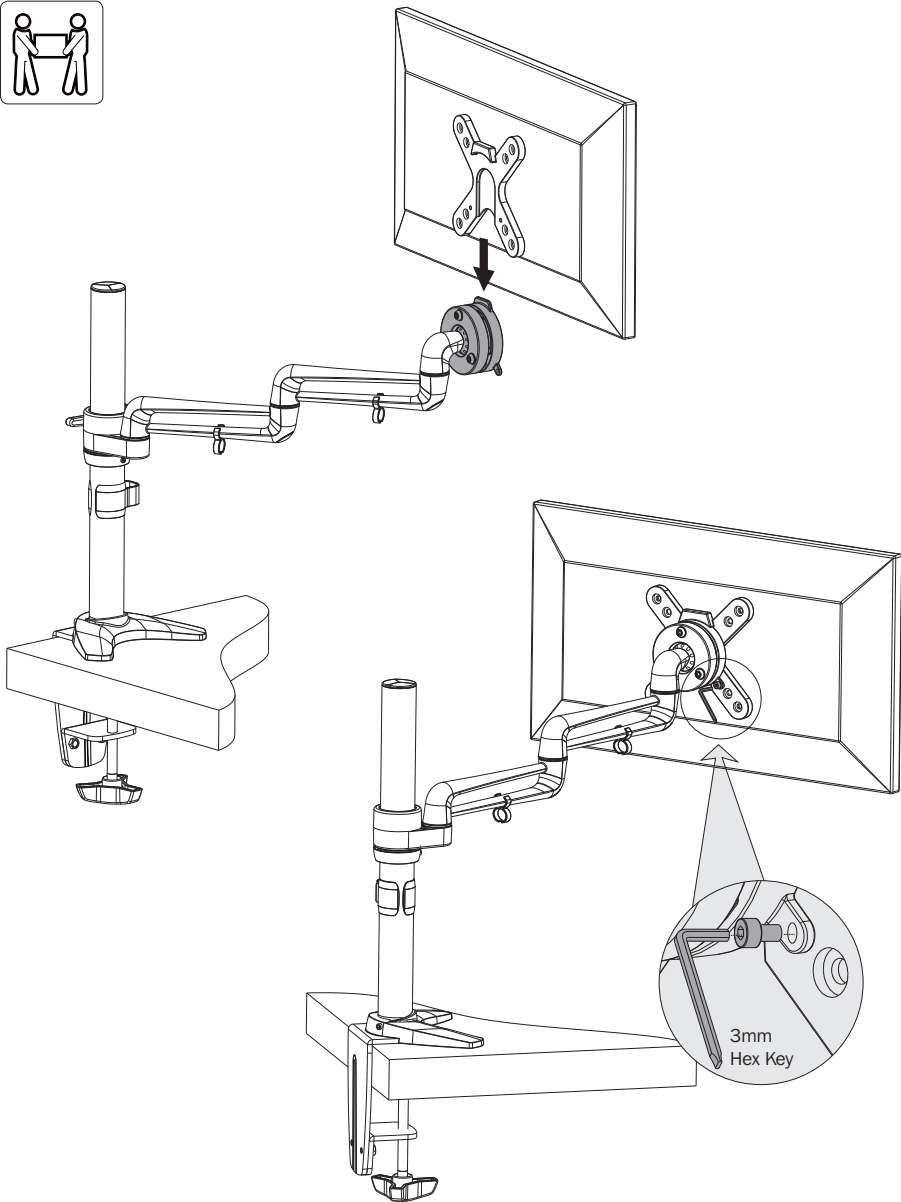
5. Install VESA Plate

Lift the display and align the rear mounting holes with the mount's VESA plate.



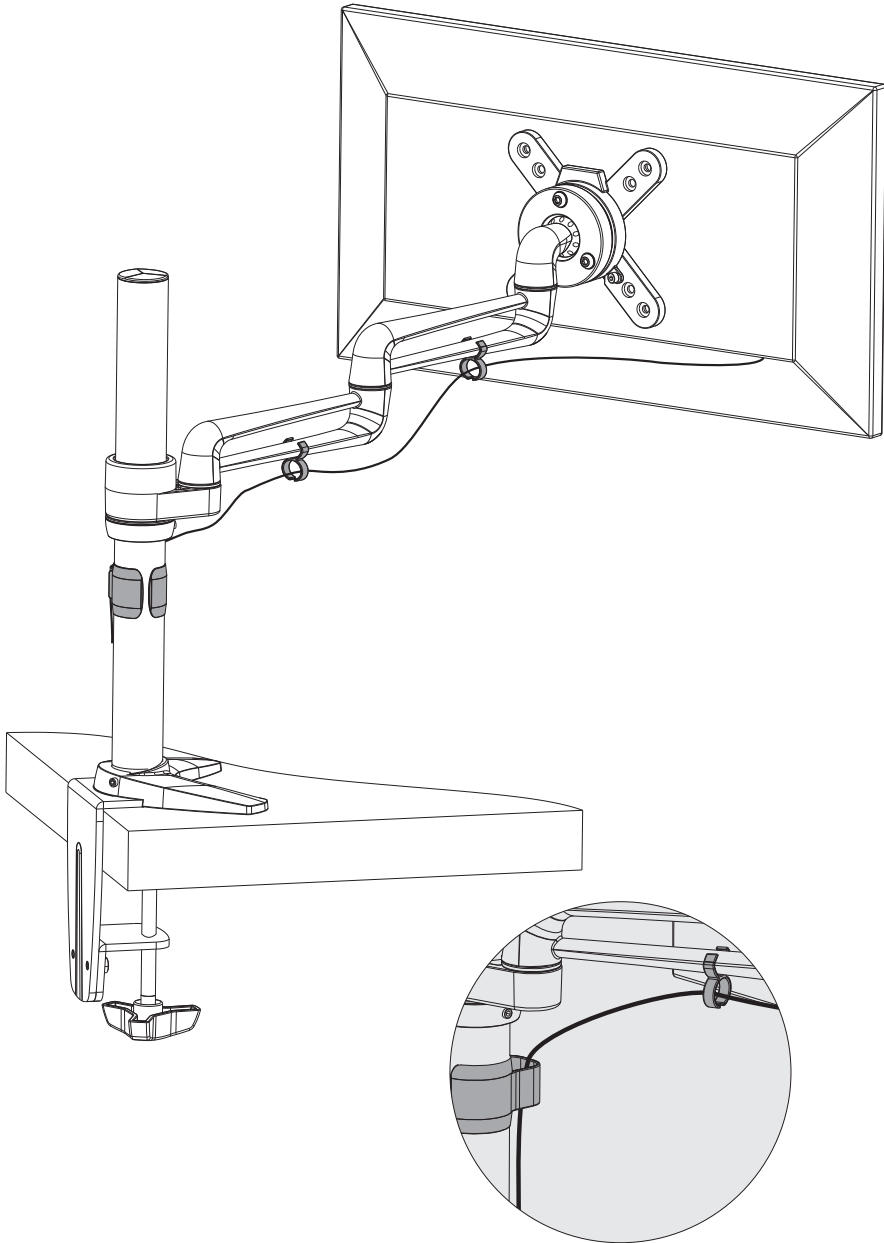
Attach the display to the VESA plate with the appropriate included screws.
Do not over-tighten screws.

6. Install the Display



Using an assistant or mechanical lifting equipment, lift the display with attached VESA plate and slide onto the head of the adapter bracket assembly. Use the screws removed in Step 1 to secure the VESA plate and display to the adapter bracket assembly. Make sure the display is safely secured before releasing.

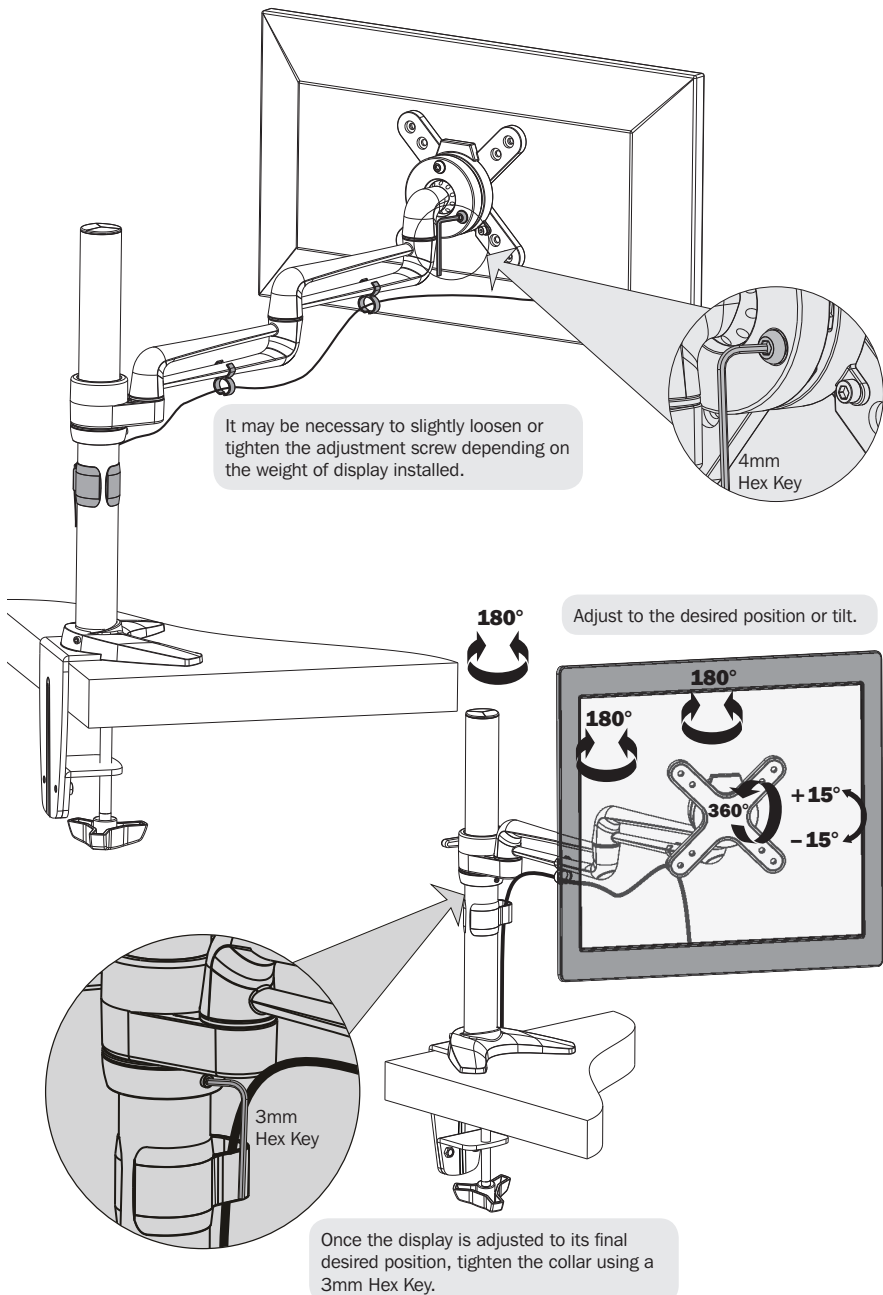
7. Cable Management



Use clips for routing the cables.

Note: Leave slack in the cable for arm movement.

8. Adjustment



Maintenance

- Check that the bracket is secure and safe to use at regular intervals (at least every three months).
- Please visit www.tripplite.com/support if you have any questions.



1111 W. 35th Street, Chicago, IL 60609 USA • www.tripplite.com/support