

Owner's Manual

AC Device Charging Station

16-Outlet Models: CS16AC, CS16ACW

32-Outlet Models: CS32AC, CS32ACW

Table of Contents

| | | | |
|---|----------|--|-----------|
| 1. Important Safety Instructions | 2 | 7. 16-Outlet AC Charger Unit | 6 |
| 2. Overview | 2 | 7.1 AC Charger Unit Features | 6 |
| 3. Feature Identification | 3 | 7.2 Connecting Devices to the AC Charger Unit | 6 |
| 4. Enclosure Installation | 4 | 8. Adjusting Storage Shelf Dividers | 6 |
| 4.1 Preparation | 4 | 9. Specifications | 7 |
| 4.2 Unpacking | 4 | 10. Optional Casters and Handle | 7 |
| 4.3 Ground Connection | 4 | 11. Storage and Service | 8 |
| 4.4 Power Requirements | 4 | 12. Warranty and Product Registration | 8 |
| 5. Wall-Mounting the Enclosure | 5 | Español | 9 |
| 6. Enclosure Configuration | 5 | Français | 17 |
| 6.1 Door Locks | 5 | | |
| 6.2 Power Cord/Cable – Access & Management | 6 | | |

PROTECT YOUR INVESTMENT!

Register your product for quicker service and ultimate peace of mind.

You could also win an ISOBAR6ULTRA surge protector—a \$50 value!

www.tripplite.com/warranty



1111 W. 35th Street, Chicago, IL 60609 USA • www.tripplite.com/support

Copyright © 2015 Tripp Lite. All trademarks are the sole property of their respective owners.

1. Important Safety Instructions



SAVE THESE INSTRUCTIONS

This Manual contains instructions and warnings that must be followed during the installation and operation of the product described in this manual. Failure to comply may invalidate the warranty and cause property damage or personal injury.

AC Charger Unit:

- To remove the AC charger unit from the supply mains, the appliance inlet serves as a disconnect device.
- If any of the following situations arise, schedule an appointment to have your equipment inspected by a service technician:
 - The equipment has been exposed to moisture
 - The equipment has been dropped and damaged
 - The equipment shows obvious signs of breakage
 - The equipment is not functioning properly or is not functioning according to the instructions described in this Owner's Manual
- Use of this equipment in life support applications where failure of this equipment can reasonably be expected to cause the failure of the life support equipment or to significantly affect its safety or effectiveness is not recommended.
- Do not use this equipment in the presence of a flammable anesthetic mixture with air, oxygen or nitrous oxide.

Enclosure Unit:

- Keep the enclosure in a controlled indoor environment away from moisture, temperature extremes, flammable liquids and gasses, conductive contaminants, dust and direct sunlight.
- Leave adequate space at the front and rear of the enclosure for proper ventilation. Do not block, cover or insert objects into the external ventilation openings of the enclosure.
- The enclosure is extremely heavy. Use caution when handling the enclosure. Do not attempt to unpack, move or install it unassisted. Use a mechanical device such as a forklift or pallet jack to move the enclosure in the shipping container.
- Do not place any object on the enclosure, especially containers of liquid, and do not attempt to stack the enclosures.
- Inspect the shipping container and the enclosure for shipping damage. Do not use the enclosure if it is damaged.
- Leave the enclosure in the shipping container until it has been moved as close to the final installation location as possible.
- For wall-mounted installations, first make sure that the wall surface can safely support the combined load of the enclosure, equipment and all attached hardware and components.
- For floor installations, make sure the unit is placed in a structurally sound area capable of bearing the weight of the enclosure, all equipment that will be installed, and any other enclosures and/or equipment that will be installed nearby.
- Enclosure must be installed by a qualified technician.
- Use suitable mounting means when installing to cinder block, concrete, drywall or wood studs.
- Use caution when cutting packing materials. The enclosure could be scratched, causing damage not covered by the warranty.
- Save all packing materials for later use. Repacking and shipping the enclosure without the original packing materials may cause product damage that will void the warranty.

If installing optional CSHANDLEKIT caster and handle kit—see section 10 for caster installation:

- Do not push the enclosure from the side panels to move it. Pushing from the side panels will cause a tipping hazard.
- When rolling the enclosure on its casters, always push it from behind; never pull it toward you.
- A rolling enclosure can cause personal injury and property damage if not properly supervised. If rolling the enclosure down a ramp is required, use extreme caution. Do not attempt to use ramps that have a slope grade greater than 12%.

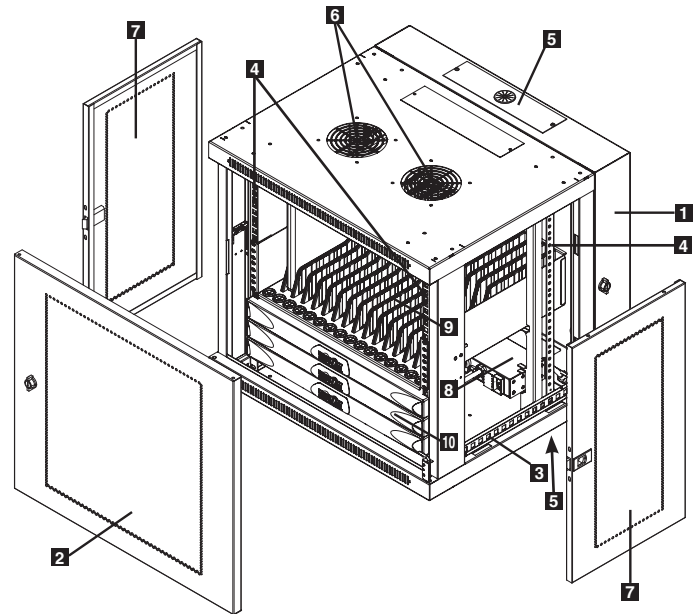
2. Overview

Your charging station is an all-in-one solution for storing and charging for up to 16 or 32 devices. Housed in a standard 19-inch rack enclosure, your charging station can be conveniently mounted to walls, as well as configured for desktop or floor placement (with optional rolling casters, sold separately). To prevent theft and device tampering, your tablet charging station enclosure comes equipped with locking steel doors and side panels.

3. Feature Identification

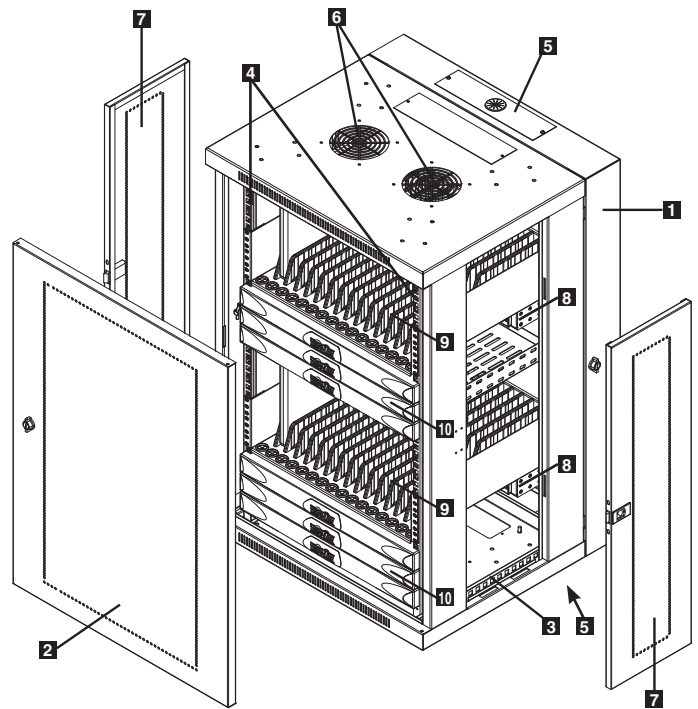
CS16AC(W)

- 1 Locking Rear Door
- 2 Locking/Reversible Front Door
- 3 Horizontal Rails
- 4 Vertical Mounting Rails
- 5 Secure Top and Bottom Cable Access Plates
- 6 Vents
- 7 Locking/Removable Side Panels
- 8 1U Rack-Mountable 16-Outlet AC Charger Unit
- 9 Adjustable 16-tablet Storage Shelf
- 10 Toolless Blanking Panels



CS32AC(W)

- 1 Locking Rear Door
- 2 Locking/Reversible Front Door
- 3 Horizontal Rails
- 4 Vertical Mounting Rails
- 5 Secure Top and Bottom Cable Access Plates
- 6 Vents
- 7 Locking/Removable Side Panels
- 8 1U Rack-Mountable 16-Outlet AC Charger Units
- 9 Adjustable 16-tablet Storage Shelf
- 10 Toolless Blanking Panels



4. Enclosure Installation



Caution! Read All Instructions and Warnings Before Installation!



Warning: Rack enclosures can be extremely heavy. Do not attempt to unpack, move or install the enclosure without assistance. Use extreme caution when handling the enclosure and be sure to follow all handling and installation instructions. Do not attempt to install equipment without first stabilizing the enclosure.

4.1 Preparation

The enclosure must only be mounted to wall surfaces that can safely support the combined weight of the enclosure, equipment and all attached hardware and components, or floor areas capable of handling the full enclosure load and contents as well as any other enclosures and/or equipment that will be installed nearby. Before unpacking the enclosure, you should transport the shipping container close to the final installation location to minimize the distance you will need to move the unit after the protective packaging has been removed. If you plan to store the enclosure for an extended period before installation, follow the instructions in the **Storage and Service** section.

For wall mounting, you will need:

- Level
- Phillips-head screwdriver
- Appropriate tools for wall mounting

You also need the following hardware:

- Appropriate hardware for wall mounting (not included)

4.2 Unpacking



Use at least two people to unpack the enclosure.



Note: The enclosure should be moved close to its installation location inside its shipping container before it is unpacked. For mobile applications, use the CSHANDLEKIT caster and handle accessory kit.

- 1 Open box and remove the corner protectors. Upon unpacking, examine the inside of the cabinet for any additional packing material. Make sure to remove all packing materials from the interior and exterior of the unit. Save all packing materials for later use unless you are certain they will not be required. Packing materials are recyclable.
- 2 With one person on each side, carefully lift the enclosure out of the box and place on a firm, level surface.
- 3 Examine the enclosure for any damage or loose parts. Confirm all parts are present. If anything is missing or damaged, contact Tripp Lite for assistance. Do not attempt to use the enclosure if it has been damaged.



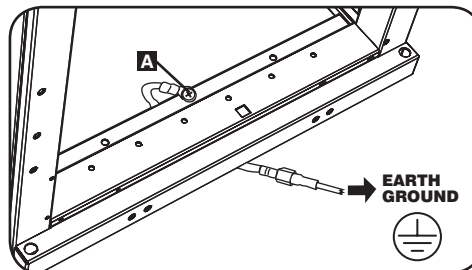
Warning: Never attempt to lift or install without adequate help. Do not try lifting the enclosure alone.



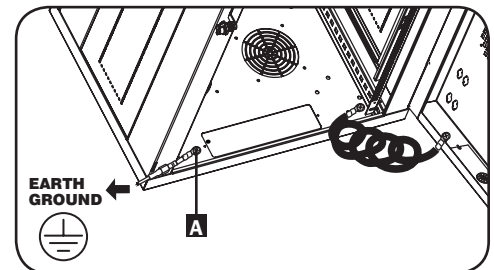
4.3 Ground Connection

All parts of the enclosure are grounded to the frame of the enclosure. Connect your facility's earth ground connection to the provided ground stud **A** using an 8 AWG (3.264 mm) wire.

Warning: Attach each enclosure to earth ground separately. Do not use the enclosure without an earth ground connection.



CS16AC(W)



CS32AC(W)

4.4 Power Requirements

The charging station should be plugged into an AC outlet with a dedicated circuit. An AC outlet with a 20-amp circuit is preferred for powering the charging station. The AC outlet used to power the charging station should not be shared with other electronics. The total wattage of the charging station and all connected components should not exceed 720 watts (CS16AC/CS16ACW model) or 1440 watts (CS32AC/CS32ACW model).

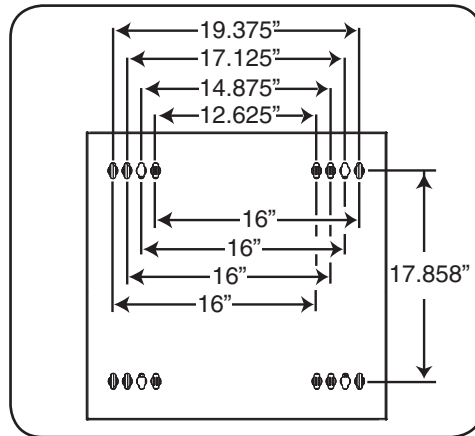
5. Wall-Mounting the Enclosure

Warning: Do not attempt to mount the charging station to the wall with any personal electronic devices inside.

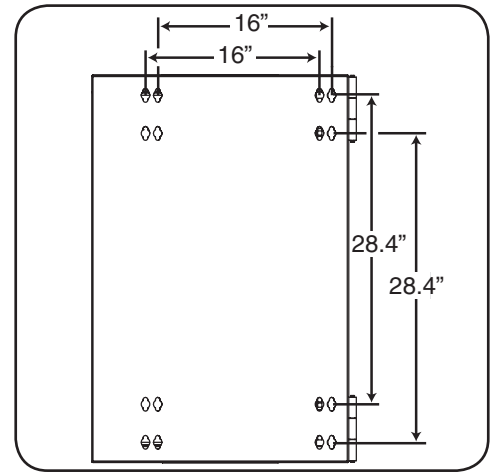
There are 16 keyhole cutouts on the back door of the enclosures. Each keyhole can accommodate an M10 or 3/8" bolt (for the 16-outlet models) or an M5 or 3/16" bolt (for the 32-outlet models). Each of the four keyhole sets are centered 16" apart horizontally and are spaced in 2.25" increments toward the outer edges (see corresponding model diagrams for exact keyhole measurements).

Using a level, measure to position your mounting areas precisely. Use appropriate fasteners (not included) to secure the enclosure to the wall. Once the enclosure is safely hanging on the fasteners and secured to the wall, open the unit from the rear door and tighten all mounting hardware.

Note: The charging station enclosure must be installed by a qualified technician. Before mounting, use a level and tape measure to position your mounting area precisely. Use appropriate fasteners (not included) to secure the charging station to the wall. Use suitable mounting means when installing to cinder block, concrete, drywall or wood studs. **Warning: The supporting surface must be able to safely support the combined load of the equipment and all attached hardware and components. Go to the Specifications section for more information on your model's weight and dimensions.**



CS16AC(W)

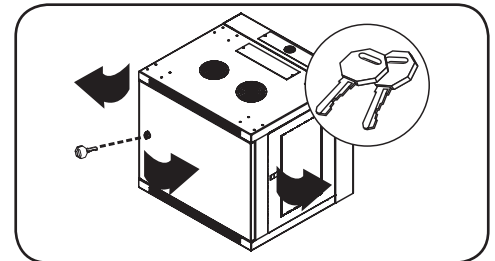


CS32AC(W)

6. Enclosure Configuration

6.1 Door Locks

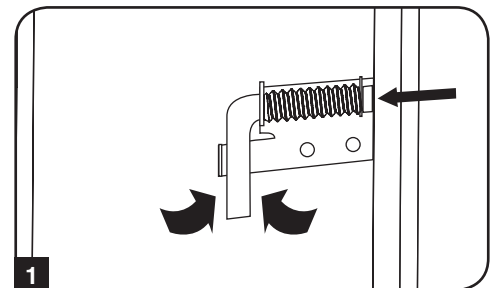
The front and back doors have locks that are accessible with the included keys.



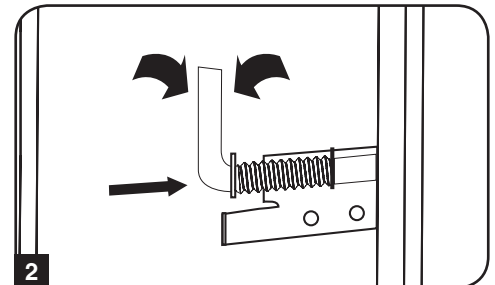
CS16AC(W)

Each side panel locks using an L-shaped lever on the inside of the enclosure.

1 To unlock and remove the side panels, lift the shorter leg of the "L" up and pull it away from the side panel. Pull the tab on the side panel and remove it from the enclosure.



2 To re-lock the side panels, secure it in the proper position, lift the shorter leg of the "L" up and push it toward the side panel, back into the hole that it was in initially. Once it is in place, push the shorter leg of the "L" down to lock it.



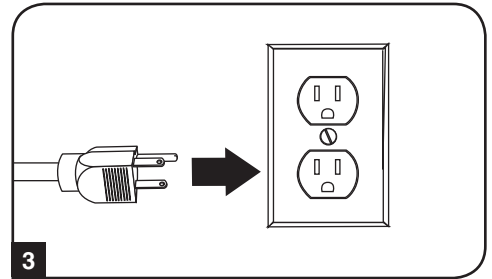
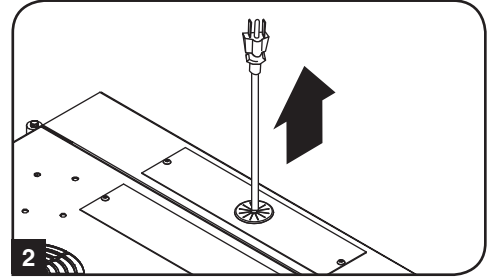
Note: To lock and unlock the side panels, you will need to have access to the interior of the enclosure.

6. Enclosure Configuration

6.2 Power Cord/Cable – Access and Management

Both charging station models contain secure top and bottom cable access plates that can only be removed by accessing the inside of the enclosure.

To connect the charging station to a power outlet, run the power cord through the top or bottom cable access plate containing a cord grommet by unlocking the front door and removing one or both of the side panels (as shown in section 6.1) **1**. Then push the input plug through the top or bottom cord grommet **2** and run the cord to your nearest 3-prong, grounded wall outlet **3**.



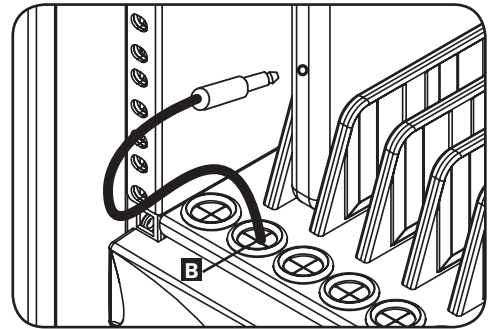
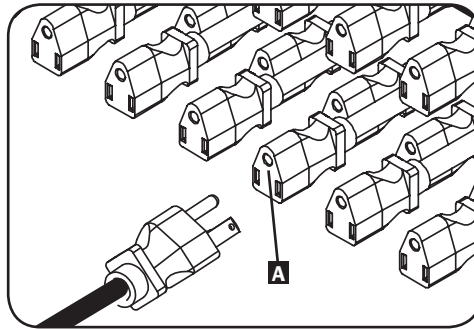
7. 16-Outlet AC Charger Unit

7.1 AC Charger Unit Features

- 1U rack-mountable housing can be configured for professional, educational or personal installations
- 16 x NEMA 5-15R output receptacles
- 15-ft. AC cord with NEMA 5-15P plug
- Lighted power switch confirms power on/off status
- 15A electrical capacity with circuit breaker
- 120V AC, 50/60Hz electrical compatibility

7.2 Connecting Devices to the AC Charger Unit

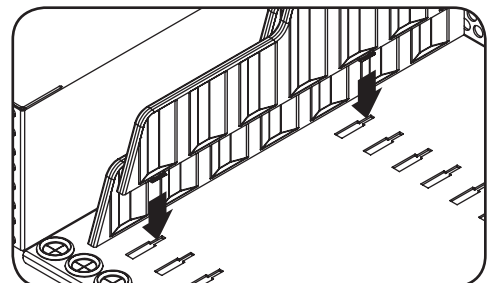
Each storage shelf features 16 strain relief bushings that prevent the device's power connectors from slipping through the bushing. Connect the device's power plug into one of the AC charger unit's dongle receptacles **A**, then run the power connector through the storage shelf's strain relief bushing to establish a power connection **B**. Repeat for all devices.



8. Adjusting Storage Shelf Dividers

Your tablet charging station comes with one or two storage shelves with adjustable dividers that can each accommodate up to 16 personal electronic devices per shelf.

Remove any personal electronic devices stored on the shelf tray. Then unlock and open the rear door to the cabinet. From the front or rear of the cabinet, rearrange the dividers by pulling them out or snapping them into the shelf tray. Repeat as necessary for additional shelf trays.



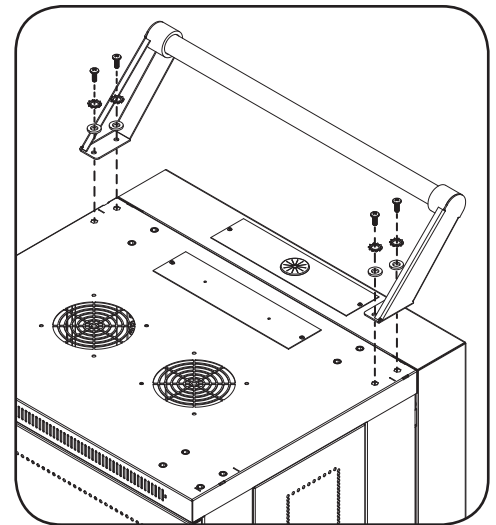
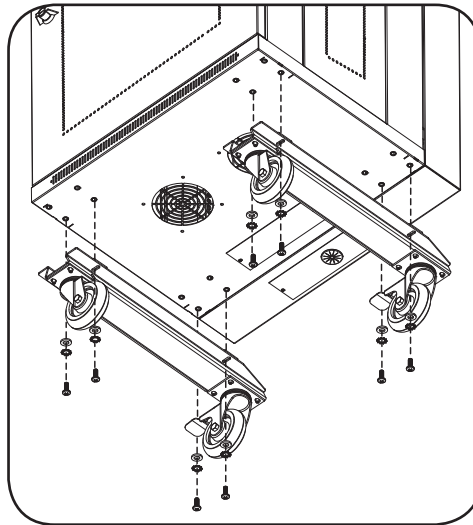
9. Specifications

| Model | CS16AC/CS16ACW | CS32AC/CS32ACW |
|--|--|---|
| Cabinet Dimensions (H x W x D) | 21.6 x 23.63 x 21.6" (549 x 600 x 549 mm) | 35.6 x 23.6 x 21.6" (905 x 600 x 549 mm) |
| Unit Weight | 55 lb. (25 kg) | 96 lb. (43.5 kg) |
| Load Capacity* | 200 lb. (90 kg) Stationary or Rolling | 250 lb. (113 kg) Stationary or Rolling |
| Cabinet Mounting Depth (Adjustable) | 3" to 20.5" (76 to 521 mm) | 3" to 20.5" (76 to 521 mm) |
| AC Receptacles | 16 x 5-15R | 32 x 5-15R |
| Power Requirement | Input: 120V AC, 50/60 HZ, 12 Amps | Input: 120V AC, 50/60 HZ, 12 Amps |
| Operating Temperature | 32° to 104° F 0° to 40° C | 32° to 104° F 0° to 40° C |
| Operating Humidity | 5 to 95% RH, Non-Condensing | 5 to 95% RH, Non-Condensing |
| Number of AC Charger Units | 1 | 2 |
| AC Charger Dimensions per Unit (H x W x D) | 2.25 x 19 x 4" (57 x 483 x 241 mm) | 2.25 x 19 x 4" (57 x 483 x 241 mm) |
| Enclosure Material | Metal | Metal |
| Regulatory Approvals | UL 60950, NOM (Mexico) and RoHS | UL 60950, NOM (Mexico) and RoHS |

*Full wall-mount load capacity requires a mounting surface capable of bearing the full load of the tablet charge and sync station and all connected components. Rolling applications require optional CSHANDLEKIT accessory kit. Specifications may be subject to change without further notice.

10. Optional Caster and Handle Accessory

For applications requiring extra mobility, an optional caster and handle accessory kit (**Model: CSHANDLEKIT**) contains two swivel/locking casters, two swivel-only casters and a handle that attaches to the top of a charging station unit. For further installation instructions, refer to the manual included with the CSHANDLEKIT.



11. Storage and Service

Storage

The enclosure should be stored in a controlled indoor environment away from moisture, temperature extremes, flammable liquids and gasses, conductive contaminants, dust and direct sunlight. Store the enclosure in its original shipping container if possible.

Service

The enclosure is covered by the limited warranty described in this manual. For more information, visit www.tripplite.com/support.

12. Warranty and Product Registration

2-Year Limited Warranty

Seller warrants this product, if used in accordance with all applicable instructions, to be free from original defects in material and workmanship for a period of 2 years from the date of initial purchase. If the product should prove defective in material or workmanship within that period, Seller will repair or replace the product, at its sole discretion.

THIS WARRANTY DOES NOT APPLY TO NORMAL WEAR OR TO DAMAGE RESULTING FROM ACCIDENT, MISUSE, ABUSE OR NEGLIGENCE. SELLER MAKES NO EXPRESS WARRANTIES OTHER THAN THE WARRANTY EXPRESSLY SET FORTH HEREIN. EXCEPT TO THE EXTENT PROHIBITED BY APPLICABLE LAW, ALL IMPLIED WARRANTIES, INCLUDING ALL WARRANTIES OF MERCHANTABILITY OR FITNESS, ARE LIMITED IN DURATION TO THE WARRANTY PERIOD SET FORTH ABOVE; AND THIS WARRANTY EXPRESSLY EXCLUDES ALL INCIDENTAL AND CONSEQUENTIAL DAMAGES. (Some states do not allow limitations on how long an implied warranty lasts, and some states do not allow the exclusion or limitation of incidental or consequential damages, so the above limitations or exclusions may not apply to you. This warranty gives you specific legal rights, and you may have other rights which vary from jurisdiction to jurisdiction).

WARNING: The individual user should take care to determine prior to use whether this device is suitable, adequate or safe for the use intended. Since individual applications are subject to great variation, the manufacturer makes no representation or warranty as to the suitability or fitness of these devices for any specific application.

Product Registration

Visit www.tripplite.com/warranty today to register your new Tripp Lite product. You'll be automatically entered into a drawing for a chance to win a FREE Tripp Lite product!*

* No purchase necessary. Void where prohibited. Some restrictions apply. See website for details.

Regulatory Compliance Identification Numbers

For the purpose of regulatory compliance certifications and identification, your Tripp Lite product has been assigned a unique series number. The series number can be found on the product nameplate label, along with all required approval markings and information. When requesting compliance information for this product, always refer to the series number. The series number should not be confused with the marketing name or model number of the product.

FCC Notice, Class B

This device complies with part 15 of the FCC Rules. Operation is subject to the following two conditions: (1) This device may not cause harmful interference, and (2) this device must accept any interference received, including interference that may cause undesired operation.

Note: This equipment has been tested and found to comply with the limits for a Class B digital device, pursuant to part 15 of the FCC Rules. These limits are designed to provide reasonable protection against harmful interference in a residential installation. This equipment generates, uses and can radiate radio frequency energy and, if not installed and used in accordance with the instructions, may cause harmful interference to radio communications. However, there is no guarantee that interference will not occur in a particular installation. If this equipment does cause harmful interference to radio or television reception, which can be determined by turning the equipment off and on, the user is encouraged to try to correct the interference by one or more of the following measures:

- Reorient or relocate the receiving antenna.
- Increase the separation between the equipment and receiver.
- Connect the equipment into an outlet on a circuit different from that to which the receiver is connected.
- Consult the dealer or an experienced radio/TV technician for help.

Any changes or modifications to this equipment not expressly approved by Tripp Lite could void the user's authority to operate this equipment.

WEEE Compliance Information for Tripp Lite Customers and Recyclers (European Union)



Under the Waste Electrical and Electronic Equipment (WEEE) Directive and implementing regulations, when customers buy new electrical and electronic equipment from Tripp Lite they are entitled to:

- Send old equipment for recycling on a one-for-one, like-for-like basis (this varies depending on the country)
- Send the new equipment back for recycling when this ultimately becomes waste

Tripp Lite has a policy of continuous improvement. Specifications are subject to change without notice.



Manual del propietario

Estación CA para Carga de Dispositivos

Modelos de 16 Tomacorrientes: CS16AC, CS16ACW

Modelos de 32 Tomacorrientes: CS32AC, CS32ACW

Índice

| | | | |
|---|-----------|--|-----------|
| 1. Instrucciones de seguridad importantes | 10 | 7. Unidad Cargadora de CA con 16 Tomacorrientes | 14 |
| 2. Generalidades | 10 | 7.1 La Unidad Cargadora de CA Cuenta con | 14 |
| 3. Identificación de las características | 11 | 7.2 Conectando dispositivos a la Unidad Cargadora de CA | 14 |
| 4. Instalación del rack | 12 | 8. Ajuste de los Divisores de Estante de Almacenamiento | 15 |
| 4.1 Preparación | 12 | 9. Especificaciones | 15 |
| 4.2 Desembalaje | 12 | 10. Ruedas y Manija Opcionales | 16 |
| 4.3 Conexión a tierra | 12 | 11. Almacenamiento y servicio | 16 |
| 4.4 Requerimientos de Energía | 12 | 12. Garantía | 16 |
| 5. Montaje del rack a la pared | 13 | English | 1 |
| 6. Configuración del rack | 13 | Français | 17 |
| 6.1 Cerraduras de las puertas | 13 | | |
| 6.2 Cable de Alimentación – Acceso y Administración | 13 | | |



1111 W. 35th Street, Chicago, IL 60609 USA • www.tripplite.com/support

Copyright © 2015 Tripp Lite. Todos los derechos reservados. Todas las marcas registradas son de propiedad de sus respectivos propietarios.

1. Instrucciones de seguridad importantes



GUARDE ESTAS INSTRUCCIONES

Este manual contiene instrucciones y advertencias que deben seguirse durante la instalación y operación del producto descrito en este manual. El incumplimiento invalidará la garantía, pudiendo causar serios daños a la propiedad o lesiones personales.

Unidad Cargadora de CA:

- Para retirar la unidad cargadora de CA de la alimentación del servicio público, la entrada de alimentación del aparato sirve como dispositivo de desconexión.
- Si surge cualquiera de las siguientes situaciones, programe una cita para que un técnico de servicio inspeccione su equipo:
 - El equipo ha estado expuesto a humedad
 - El equipo se ha caído o dañado
 - El equipo muestra obvios signos de fractura
 - El equipo no funciona correctamente o no funciona de acuerdo con las Instrucciones del Manual del Propietario
- El uso de este equipo en aplicaciones de soporte de vida en donde la falla de este equipo pueda razonablemente hacer suponer que causará fallas en el equipo de soporte de vida o afecte significativamente su seguridad o efectividad, no está recomendado.
- No use este equipo en la presencia de una mezcla anestésica inflamable con aire, oxígeno u óxido nítrico.

Unidad en rack:

- Mantenga el rack en un ambiente interior controlado, lejos de la humedad, temperaturas extremas, líquidos y gases inflamables, contaminantes conductores, el polvo y la luz directa del sol.
- Deje espacio suficiente en el frente y la parte trasera del rack para una ventilación adecuada. No bloquee, cubra ni inserte objetos en las aberturas de ventilación externa del rack.
- El rack es extremadamente pesado. Manipúlelo con precaución. No intente desembalarlo, moverlo ni instalarlo sin ayuda. Use un dispositivo mecánico, como una horquilla elevadora o un gato para pálets para moverlo en el contenedor de envío.
- No coloque ningún objeto sobre el rack, especialmente contenedores de líquido, y no intente apilar los racks.
- Inspeccione el contenedor de envío y el rack para detectar daños producidos durante el transporte. No lo use si está dañado.
- Deje el rack en el contenedor de envío hasta que se lo haya movido lo más cerca posible del lugar de instalación.
- Para instalaciones en pared, cerciórese primero que la superficie de la pared pueda soportar con seguridad la carga combinada del gabinete, el equipo y todos los accesorios y componentes instalados.
- Para instalaciones en piso, cerciórese que la unidad esté colocada en un área estructuralmente firme, capaz de soportar el peso del gabinete, todo el equipo que se instale y otros gabinetes y equipo que se instalen cerca.
- El gabinete debe ser instalado por un técnico calificado.
- Use los medios adecuados de soporte al instalar a bloques de concreto, concreto, tablarroca o travesaños de madera.
- Corte el material de embalaje con precaución. El rack podría rayarse causando daños que no están cubiertos por la garantía.
- Guarde los materiales de embalaje para utilizarlos en el futuro. Si el rack se vuelve a embalar y a enviar sin los materiales de embalaje originales, se pueden causar daños que anularán la garantía.

Si instala el juego de accesorios de ruedas y manija CSHANDLEKIT—ver la sección 10 para la instalación de las ruedas:

- No empuje el rack por los paneles laterales para moverlo. De esta manera existe peligro de que se vuelque.
- Cuando lo haga rodar sobre sus ruedas, empújelo siempre desde atrás, nunca hacia usted.
- Un rack rodante puede causar lesiones personales y daño a la propiedad si no se supervisa correctamente. Si es necesario hacerlo rodar por una rampa, hágalo con precaución. No intente usar rampas que tengan una pendiente superior al 12%.

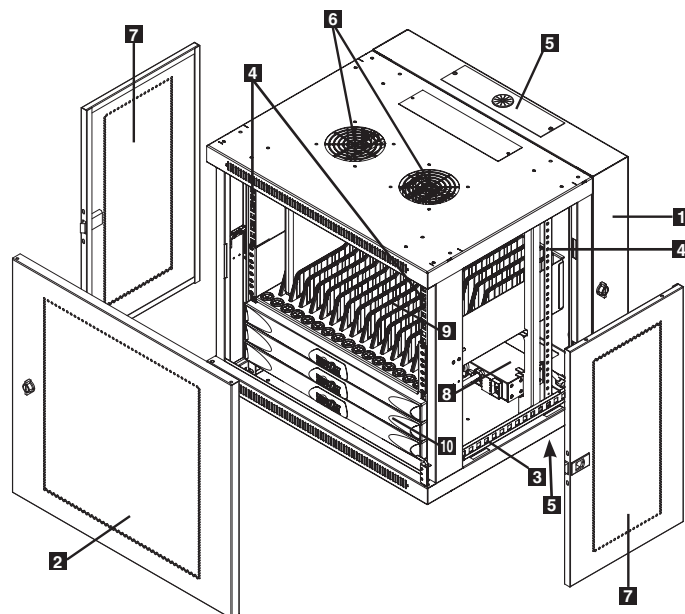
2. Generalidades

Su estación de carga es una solución todo en uno para almacenamiento y carga para hasta 16 o 32 dispositivos. Alojada en un gabinete estándar de 19 pulgadas, su estación de carga puede instalarse cómodamente en paredes o configurarse también para escritorio o en piso (con ruedas opcionales, se venden por separado). Para evitar robo y sabotaje del dispositivo, su gabinete de estación de carga de tabletas viene equipado con puertas y paneles laterales de acero con cerradura.

3. Identificación de las características

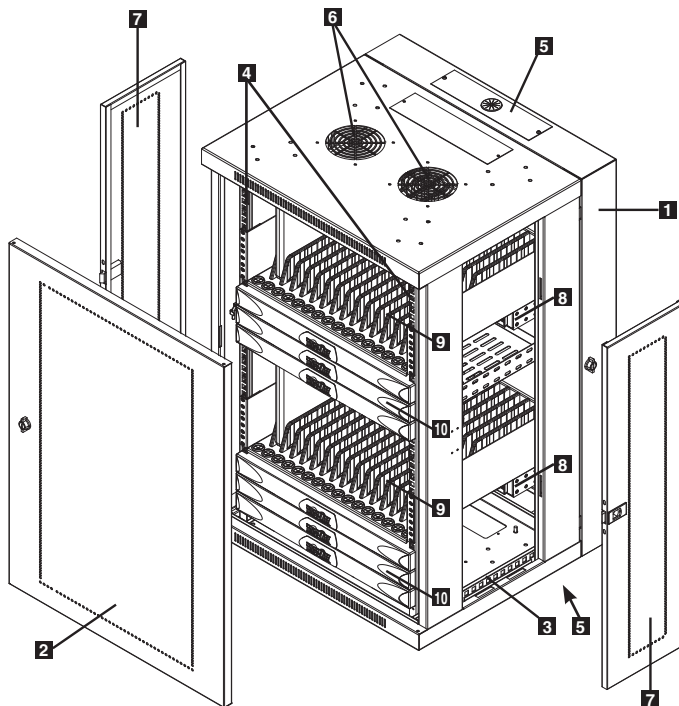
CS16AC(W)

- 1 Puerta trasera con cerradura
- 2 Puerta frontal con cerradura/reversible
- 3 Rieles horizontales
- 4 Rieles de montaje verticales
- 5 Asegurado de Pacas de Acceso de Cableado Superior e Inferior
- 6 Ventilación
- 7 Paneles laterales con cerradura/desmontables
- 8 Unidad Cargadora de CA con 16 Tomacorrientes para Instalación en Rack
- 9 Entrepaño Ajustable para Almacenamiento de 16 tabletas
- 10 Paneles Obturadores Sin Herramientas



CS32AC(W)

- 1 Puerta trasera con cerradura
- 2 Puerta frontal con cerradura/reversible
- 3 Rieles horizontales
- 4 Rieles de montaje verticales
- 5 Asegurado de Pacas de Acceso de Cableado Superior e Inferior
- 6 Ventilación
- 7 Paneles laterales con cerradura/desmontables
- 8 Unidad Cargadora de CA con 16 Tomacorrientes para Instalación en Rack
- 9 Entrepaño Ajustable para Almacenamiento de 16 tabletas
- 10 Paneles Obturadores Sin Herramientas



4. Instalación del rack



¡Precaución! Lea todas las instrucciones y advertencias antes de la instalación.



Advertencia: Los racks pueden ser extremadamente pesados. No intente desembalarlo, moverlo ni instalarlo sin ayuda. Use máxima precaución al manipularlo y asegúrese de seguir todas las instrucciones de manipulación e instalación. No intente instalar equipos sin estabilizar primero el rack.

4.1 Instalación del rack

El rack se debe instalar en una zona estructuralmente sana que pueda soportar su peso, el de todos los equipos que se instalarán en él y cualquier otro rack y/o equipos que se instalarán cerca. Antes de desembalar el rack, debería transportar el contenedor de envío lo más cerca posible de la ubicación de instalación final para minimizar la distancia que necesitará moverlo después de quitarle el embalaje protector. Si planea almacenarlo durante un período prolongado antes de instalarlo, siga las instrucciones de la sección **Almacenamiento y servicio**.

Para instalación en pared, necesitará:

- Nivel
- Destornillador Philips
- Herramientas adecuadas para el montaje en la pared

También necesita las siguientes herramientas:

- Herramientas adecuadas para el montaje en la pared (no incluidas)

4.2 Desembalaje



Utilice al menos dos personas para desembalar el rack.



Nota: El gabinete debe moverse cerca de su ubicación de instalación dentro de su contenedor de embarque antes de desempacarlo. Para aplicaciones móviles, use el juego de accesorios de ruedas y manija CSHANDLEKIT.

- 1 Abra la caja y extraiga los cuatro protectores de goma espuma (gomapluma). Una vez desempacado, examine el interior del gabinete para detectar algún material de empaque adicional. Asegúrese de retirar todos los materiales de empaque del interior y exterior de la unidad. Guarde todos los materiales de embalaje para uso futuro, a menos que esté seguro de que no serán necesarios. Los materiales de embalaje son reciclables.
- 2 Con una persona de cada lado, eleve el rack con cuidado hacia afuera del pálet y colóquelo en una superficie firme y nivelada.
- 3 Examine el rack para detectar daños o partes sueltas. Confirme que estén todas las partes. Si algo falta o está dañado, comuníquese con Tripp Lite para obtener ayuda. No intente usar el rack si está dañado.

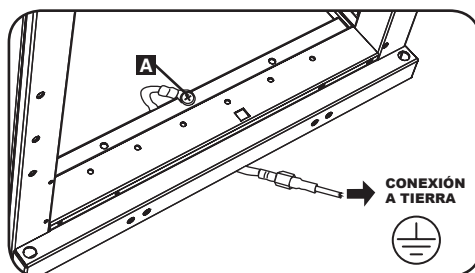


Advertencia: Nunca intente elevar o instalar el rack sin la ayuda adecuada. No intente elevar el rack usted solo.

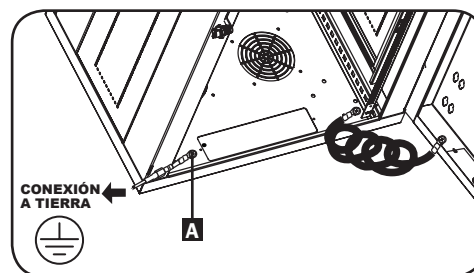


4.3 Conexión a tierra

Todas las partes del rack se deben conectar a tierra al marco del rack. Conecte la conexión a tierra de la instalación en la ranura de conexión a tierra provista utilizando un cable 8 AWG (3.26 mm). **⚠ Advertencia: Conecte cada rack a tierra por separado. No use el rack sin una conexión a tierra.**



CS16AC(W)



CS32AC(W)

4.4 Requerimientos de Energía

La estación de carga debe enchufarse en un tomacorriente de CA con un circuito dedicado. Se prefiere un tomacorriente de CA con un circuito de 20 Amperes para alimentar la estación de carga. El tomacorriente de CA usado para alimentar la estación de carga no debe compartirse con otros aparatos electrónicos. La potencia total de la estación de carga y todos los componentes conectados no debe exceder 720 Watts (modelo CS16AC/CS16ACW) o 1440 Watts (modelo CS32AC/CS32ACW).

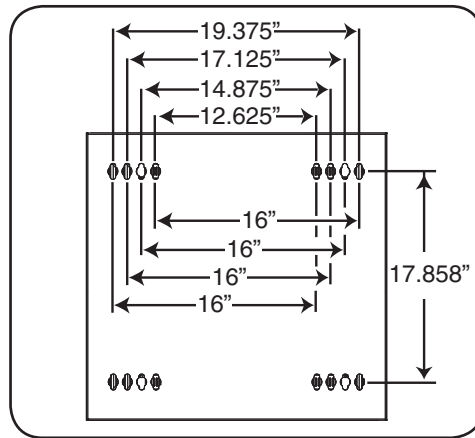
5. Montaje del rack a la pared

Advertencia: No intente instalar la estación de carga al muro con cualquier dispositivo electrónico personal adentro.

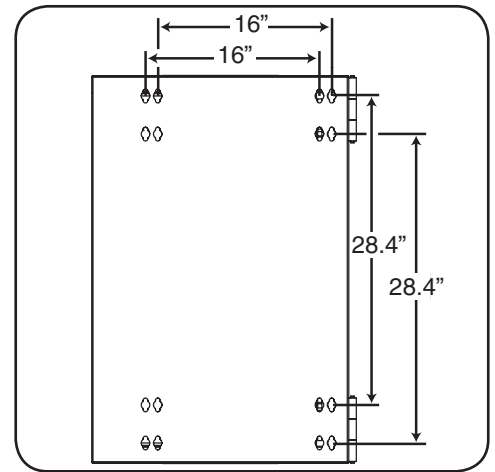
Hay 16 cortes de ojo de cerradura en la puerta de atrás de los racks CS16AC y CS32AC. Cada ojo de la cerradura puede acomodar un tornillo M10 o 3/16 pulg. (para el modelo CS16AC), o un tornillo M5 o 3/16 pulg. (para el modelo CS32AC). Cada uno de los cuatro juegos de perforaciones en forma de cerradura está separada horizontalmente a 406.4 mm [16"] entre centros y espaciados en incrementos de 55.9 mm [2.25"] hacia los bordes externos (consulte los diagramas del modelo correspondiente para las dimensiones exactas de las perforaciones).

Utilizando un nivel, mida la posición de las áreas de montaje en forma precisa. Utilice pasadores adecuados (no incluidos) para asegurar el rack a la pared. Una vez que el gabinete cuelga con seguridad en los sujetadores y esté asegurado a la pared, abra la unidad por la puerta posterior y apriete todos los accesorios de instalación.

Nota: La estación de carga debe ser instalada por un técnico calificado. Antes de instalar, use un nivel y cinta métrica para ubicar con precisión su área de instalación. Use sujetadores adecuados (no incluidos) para asegurar la estación de carga a la pared. Use los medios adecuados de soporte al instalar a bloques de concreto, concreto muros secos o tirantes de madera. **Advertencia: La superficie de apoyo debe ser capaz de soportar con seguridad la carga combinada de todo el hardware y componentes instalados. Para más información sobre pesos y dimensiones de su modelo, vaya a la sección de Especificaciones.**



CS16AC(W)

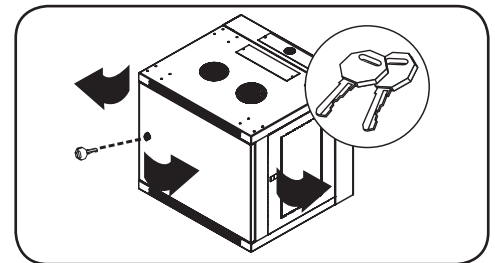


CS32AC(W)

6. Configuración del rack

6.1 Cerraduras de las puertas

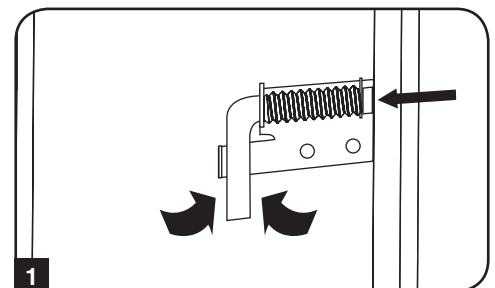
Las puertas delanteras y traseras poseen cerraduras con llaves incluidas para acceder a ellas.



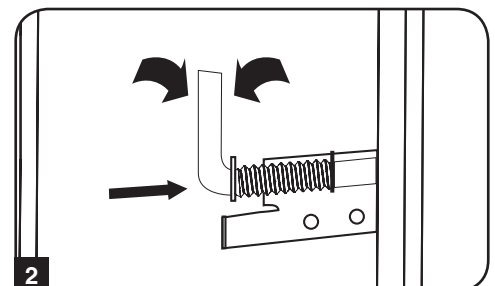
CS16AC(W)

Cada panel lateral se cierra mediante una palanca en forma de L en el interior del rack.

1 Para desbloquear y extraer los paneles laterales, eleve la pata más corta de la "L" y tire de ella hacia fuera del panel lateral. Tire de la pestaña del panel lateral y extráigalo del rack.



2 Para volver a bloquear los paneles laterales, asegúrelos en la posición correcta, eleve la pata más corta de la "L" y empujela hacia el panel lateral, en el orificio en el que se encontraba originalmente. Una vez que esté ubicado, empuje la pata más corta de la "L" para bloquear.



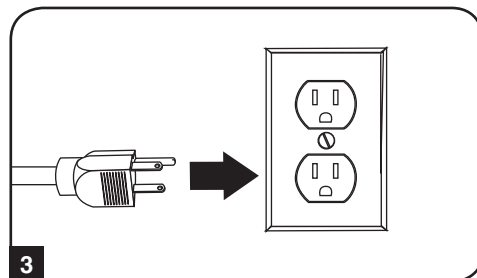
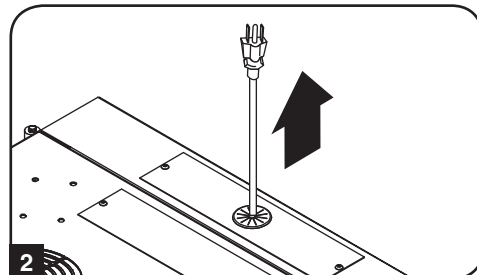
Nota: Para bloquear y desbloquear los paneles laterales, deberá tener acceso al interior del rack.

6. Configuración del rack

6.2 Cable de Alimentación – Acceso y Administración

Ambos modelos de estación de carga contienen placas superior e inferior de acceso seguro para cableado que únicamente pueden removerse accediendo al interior del gabinete.

Para conectar la estación de carga y sincronización de tabletas a un tomacorriente, conduzca el cable de alimentación a través de la placa de acceso de cableado superior o inferior que tenga una goma para paso de cables abriendo la puerta delantera y retirando uno o ambos paneles laterales (como se muestra en la sección 6.1) **1**. Empuje después la clavija de alimentación a través de la goma de paso de cables superior o inferior **2** y conduzca el cable a su tomacorriente de pared, de 3 patas, más próximo con conexión a tierra **3**.



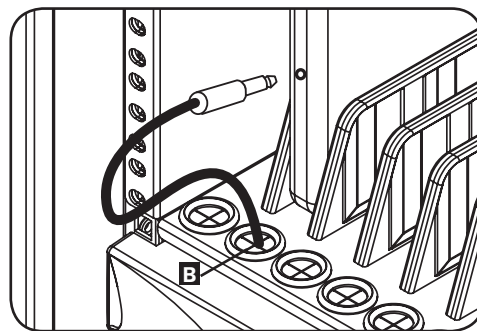
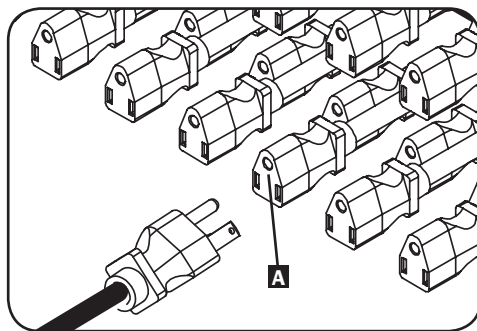
7. Unidad Cargadora de CA con 16 Tomacorrientes

7.1 La Unidad Cargadora de CA Cuenta con

- El alojamiento para instalación en rack 1U puede configurarse para instalaciones profesionales, educativas o personales
- 16 tomacorrientes NEMA 5-15R
- Cable de CA de 4.57 m [15 pies] con clavija NEMA 5-15P
- Interruptor iluminado confirma el estado de apagado y encendido.
- Capacidad eléctrica de 15 amperes con breaker
- Compatibilidad eléctrica de 120V CA, 50/60Hz

7.2 Conectando dispositivos a la Unidad Cargadora de CA

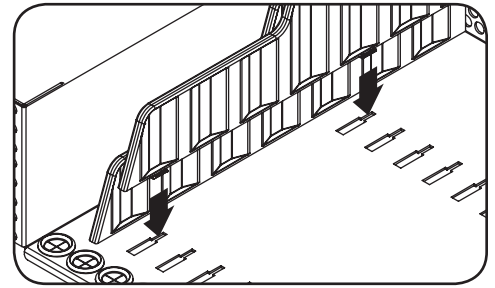
Cada entrepaño de almacenamiento cuenta con 16 bujes relevadores de tensión que evitan que los conectores de alimentación de los dispositivos se salgan por el buje. Conecte la clavija de alimentación del dispositivo en uno de los receptáculos de llave electrónica de la unidad cargadora de CA **A**, entonces conduzca el conector de alimentación a través del buje relevador de tensión del entrepaño para establecer una conexión de alimentación **B**. Repita para todos los dispositivos.



8. Ajuste de los Divisores de Estante de Almacenamiento

Su estación de carga viene con uno o dos entrepaños de almacenamiento con divisores ajustables que pueden acomodar cada uno hasta 16 dispositivos electrónicos personales por entrepaño.

Para recolocar un divisor, retire primero cualquier dispositivo electrónico que se encuentre en el entrepaño. Entonces desasegure y abra la puerta posterior del gabinete. Desde la parte frontal o posterior del gabinete, reacomode los divisores jalándolos hacia afuera o encajándolos dentro del entrepaño. Repítalo conforme sea necesario para los entrepaños adicionales.



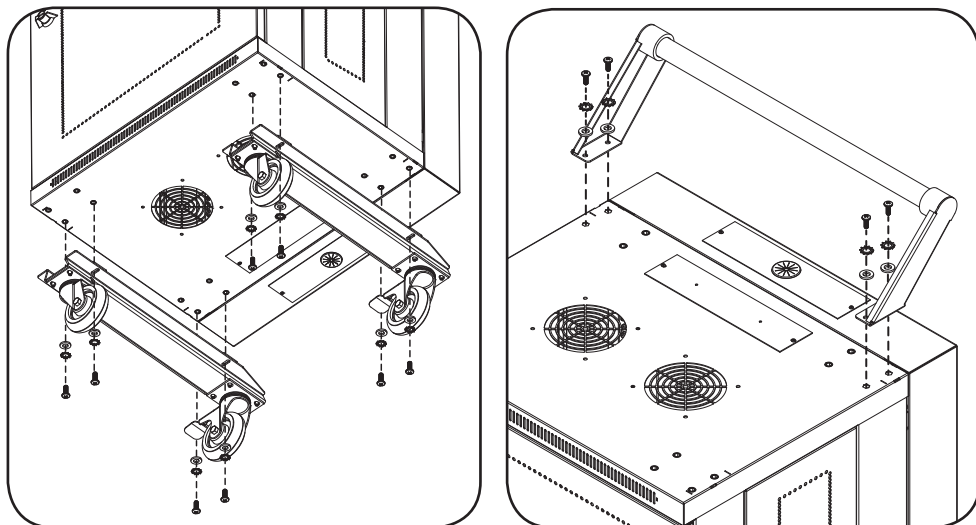
9. Especificaciones

| Modelo | CS16AC | CS32AC |
|---|---|--|
| Dimensiones del Gabinete (Al x An x P) | 549 x 600 x 549 mm (21.6 x 23.63 x 21.6 pulg.) | 905 x 600 x 549 mm (35.6 x 23.6 x 21.6 pulg.) |
| Peso de la unidad | 25 kg (55 lb.) | 43.5 kg (96 lb.) |
| Capacidad de carga* | 90 kg (200 lb.) Estacionario o rondante | 113 kg (250 lb.) Estacionario o rondante |
| Profundidad de Instalación del Gabinete (Ajustable) | 76 a 521 mm (3 a 20.5 pulg.) | 76 a 521 mm (3 a 20.5 pulg.) |
| Tomacorrientes de CA | 16 x 5-15R | 32 x 5-15R |
| Requerimiento de Energía | Entrada: 120V AC, 50/60 Hz, 2A / Salida: 12A por tomacorriente de CA | Entrada: 120V AC, 50/60 Hz, 12A / Salida: 12A por tomacorriente de CA |
| Temperatura de Operación | 0° a 40° C (32° a 104° F) | 0° a 40° C (32° a 104° F) |
| Humedad de Funcionamiento | 5 a 95% de HR, Sin Condensación | 5 a 95% de HR, Sin Condensación |
| Número de Unidades de Cargadoras de CA | 1 | 2 |
| Dimensiones del Cargador de CA por Unidad (Al x An x P) | 57 x 483 x 241 mm (2.25 x 19 x 4 pulg.) | 57 x 483 x 241 mm (2.25 x 19 x 4 pulg.) |
| Material del Gabinete | Metal | Metal |
| Aprobaciones Regulatorias | UL 60950, TUV (EE. UU. Y Canadá), NOM (México) y RoHS | UL 60950, TUV (EE. UU. Y Canadá), NOM (México) y RoHS |

*La capacidad de carga total para montar en pared requiere una superficie de montaje capaz de soportar toda la carga. Las aplicaciones rodantes requieren el juego de accesorios CSHANDLEKIT opcional.

10. Ruedas y Manija Opcionales

Para aplicaciones que requieran movilidad extra, un juego opcional de ruedas y manija (**Modelo: CSHANDLEKIT**) contiene dos ruedas giratorias/asegurables, dos ruedas solamente giratorias y una manija que se instala en la parte superior de una unidad de estación de carga. Para instrucciones de instalación adicionales, refiérase al manual incluido con el CSHANDLEKIT.



11. Almacenamiento y servicio

Almacenamiento

El rack debe almacenarse en un ambiente interior controlado, lejos de la humedad, temperaturas extremas, líquidos y gases inflamables, contaminantes conductores, el polvo y la luz directa del sol. Si es posible, almacénelo en su contenedor de envío original.

Servicio

El rack está cubierto por la garantía limitada que se describe en este manual. Para obtener más información, visite www.tripplite.com/support.

12. Garantía

GARANTÍA LIMITADA DE 2 AÑOS

El vendedor garantiza que este producto no tiene defectos originales de materiales ni de mano de obra por un período de dos años a partir de la fecha original de compra, si se utiliza de acuerdo con todas las instrucciones correspondientes. En caso de demostrarse dentro de ese período que el producto tiene defectos de materiales o de mano de obra, el vendedor lo reparará o reemplazará a su exclusiva discreción. El servicio técnico bajo esta garantía solo puede ser obtenido si usted entrega o envía el producto (con todos los cargos de envío o entrega prepagos) a: Tripp Lite; 1111 W. 35th Street; Chicago IL 60609; EE. UU. El vendedor abonará los cargos de envío de devolución. Visite www.tripplite.com/support antes de enviar cualquier equipo para reparación.

ESTA GARANTÍA NO CUBRE EL DESGASTE NORMAL NI LOS DAÑOS CAUSADOS POR ACCIDENTES, MAL USO, ABUSO O NEGLIGENCIA. EL VENDEDOR NO OFRECE NINGUNA GARANTÍA EXPRESA QUE NO SEA LA ESTABLECIDA EXPRESAMENTE EN EL PRESENTE DOCUMENTO. EXCEPTO EN LA MEDIDA EN QUE LO PROHIBAN LAS LEYES APLICABLES, LA DURACIÓN DE TODAS LAS GARANTÍAS IMPLÍCITAS, INCLUIDAS LAS DE COMERCIABILIDAD O APTITUD, SE LIMITA AL PERÍODO DE GARANTÍA ANTES MENCIONADO Y ESTA GARANTÍA EXCLUYE EXPRESAMENTE TODOS LOS DAÑOS INCIDENTALES E INDIRECTOS. (Algunos Estados no permiten las limitaciones a la duración de una garantía implícita y algunos Estados no permiten la exclusión o limitación de los daños incidentales o indirectos, de modo que las limitaciones o exclusiones antes mencionadas pueden no corresponder en su caso. Esta garantía le otorga derechos legales específicos y usted puede tener otros derechos que varían de una jurisdicción a otra).

ADVERTENCIA: Antes de usar este dispositivo, cada usuario debe ocuparse de determinar si es apto, adecuado o seguro para el uso que pretende darle. Dado que las aplicaciones individuales están sujetas a diversas variaciones, el fabricante no representa ni garantiza la idoneidad o condición de estos dispositivos para cualquier aplicación específica.

Cumplimiento de las normas de los números de identificación

Para fines de identificación y certificación del cumplimiento de las normas, su producto Tripp Lite tiene asignado un número de serie único. Puede encontrar el número de serie en la etiqueta de la placa de identificación del producto, junto con los símbolos de aprobación e información requeridos. Al solicitar información sobre el cumplimiento de las normas para este producto, siempre mencione el número de serie. El número de serie no debe ser confundido con el nombre de identificación ni con el número de modelo del producto.

Información de sobre Cumplimiento de la WEEE para Clientes de Tripp Lite y Recicladores (Unión Europea)



Según la Directiva de Residuos de Aparatos Eléctricos y Electrónicos (Waste Electrical and Electronic Equipment, WEEE) y sus reglamentos, cuando los clientes compran nuevos equipos eléctricos y electrónicos a Tripp Lite, tienen derecho a:

- Enviar equipos antiguos para reciclaje según una base de uno por uno, entre productos similares (esto varía dependiendo del país)
- Enviar el equipo nuevo de vuelta para reciclaje cuando este se convierta finalmente en desecho

Tripp Lite tiene una política de mejoramiento continuo. Las especificaciones están sujetas a cambio sin previo aviso.



Manuel du propriétaire

Station de chargement pour appareil CA

Modèles à 16 sorties : CS16AC, CS16ACW

Modèles à 32 sorties : CS32AC, CS32ACW

Table des matières

| | | | |
|---|-----------|---|-----------|
| 1. Consignes de sécurité importantes | 18 | 7. Chargeur CA à 16 sorties | 22 |
| 2. Vue d'ensemble | 18 | 7.1 Caractéristiques du chargeur CA | 22 |
| 3. Identification des caractéristiques | 19 | 7.2 Brancher des appareils au chargeur CA | 22 |
| 4. Installation de l'enceinte | 20 | 8. Réglage des diviseurs de l'étagère de rangement | 23 |
| 4.1 Préparation | 20 | 9. Spécifications | 23 |
| 4.2 Déballage | 20 | 10. Roulettes et poignée en option | 24 |
| 4.3 Mise à la terre | 20 | 11. Entreposage et entretien | 24 |
| 4.4 Besoins en matière de puissance | 20 | 12. Garantie | 24 |
| 5. Montage mural de l'enceinte | 21 | English | 1 |
| 6. Configuration de l'enceinte | 21 | Español | 9 |
| 6.1 Serrures des portes | 21 | | |
| 6.2 Cordon/câble d'alimentation – Accès et gestion | 21 | | |



1111 W. 35th Street, Chicago, IL 60609 USA • www.tripplite.com/support

Copyright © 2015 Tripp Lite. Tous droits réservés. Toutes les marques de commerce sont la propriété de leurs propriétaires respectifs.

1. Consignes de sécurité importantes



CONSERVEZ CES INSTRUCTIONS

Ce manuel contient des instructions et des avertissements qui doivent être respectés lors de l'installation et du fonctionnement du produit décrit dans ce manuel. Le non-respect de ces instructions et avertissements peut annuler la garantie et causer des dommages matériels ou corporels.

Chargeur CA :

- Pour retirer le chargeur de l'alimentation du secteur, l'entrée de l'appareil sert de dispositif de déconnexion.
- Si une des situations suivantes se présente, prendre un rendez-vous pour faire inspecter votre équipement par un technicien en entretien :
 - L'équipement a été exposé à l'humidité.
 - L'équipement a été échappé et endommagé.
 - L'équipement montre des signes évidents de dommages.
 - L'équipement ne fonctionne pas correctement ou ne fonctionne pas conformément aux directives du manuel de l'utilisateur.
- Il est déconseillé d'utiliser cet équipement dans des applications médicales où une panne de cet équipement pourrait normalement provoquer la panne de l'équipement de survie ou altérer notablement sa sécurité ou son efficacité.
- Ne pas utiliser cet équipement en présence d'un mélange anesthésique inflammable avec de l'air, de l'oxygène ou de l'oxyde nitreux.

Enceinte murale :

- Conservez l'enceinte dans un environnement contrôlé à l'intérieur, loin de l'humidité extrême, des liquides inflammables et des gaz, des contaminants conducteurs, de la poussière et des rayons directs du soleil.
- Laissez un espace adéquat à l'avant et l'arrière de l'enceinte pour une bonne ventilation. Ne pas obstruer, couvrir ou insérer d'objets dans les orifices de ventilation externe de l'enceinte.
- L'enceinte est extrêmement lourde. Soyez prudent lorsque vous manipulez l'enceinte. Ne tentez pas de la déballer, de la déplacer ou de l'installer sans aide.. Utilisez un dispositif mécanique tel qu'un chariot élévateur ou un transpalette pour déplacer l'enceinte dans l'emballage de transport.
- Ne placez aucun objet sur l'enceinte, en particulier des récipients de liquide et ne tentez pas d'empiler les enceintes.
- Inspectez l'emballage de transport et l'enceinte pour tout dommage subi pendant le transport. N'utilisez pas l'enceinte si elle est endommagée.
- Laissez l'enceinte dans l'emballage de transport jusqu'à ce qu'elle ait été déplacée le plus près de l'emplacement d'installation possible.
- Pour les installations montées au mur, s'assurer d'abord que la surface du mur va supporter sans risque la charge combinée de l'équipement et de tout le matériel et composants attachés.
- Pour les installations au plancher, s'assurer que l'appareil est placé dans un endroit solidement construit capable de supporter le poids du boîtier, de tout l'équipement qui sera installé et de tout autre boîtiers et/ou équipement qui sera installé à proximité.
- Le boîtier doit être installé par un électricien qualifié.
- Utiliser un moyen de montage approprié pour l'installation sur des blocs de béton, du béton, des cloisons sèches ou des montants de bois.
- Faites preuve de prudence lors de la découpe des matériaux d'emballage. L'enceinte peut être rayée, causant des dommages non couverts par la garantie.
- Conservez tous les matériaux d'emballage pour une utilisation ultérieure. Remballer et expédier l'enceinte sans l'emballage d'origine peut causer des dommages au produit qui annuleront la garantie.

Si vous installez la trousse d'accessoires pour roulettes et poignée CSHANDLEKIT— consulter le section 10 pour l'installation des roulettes :

- Ne poussez pas le support pour déplacer les panneaux latéraux. Ainsi, il existe un risque de basculement.
- Lorsque vous roulez l'enceinte sur ses roulettes, poussez toujours par derrière, jamais vers vous.
- Une enceinte en roulement peut causer des blessures corporelles et des dommages matériels si elle n'est pas correctement supervisée. Si l'enceinte doit rouler sur une rampe, faites preuve d'une extrême prudence. Ne pas tenter d'utiliser des rampes qui ont une pente supérieure à 12 %.

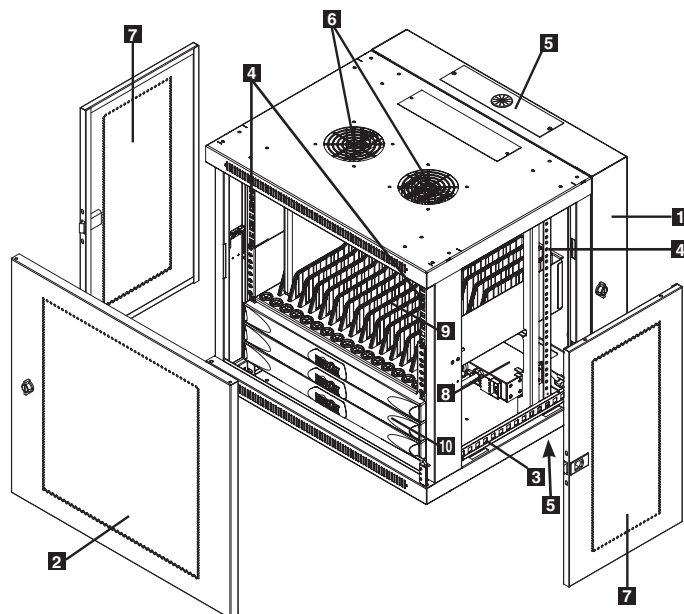
2. Vue d'ensemble

La station de chargement est une solution tout-en-un pour ranger et charger jusqu'à 16 appareils ou 32 appareils. Logée dans un boîtier pour bâti standard de 48,26 cm (19 po.), la station de charge peut être commodément montée aux murs de même que configurée pour un ordinateur de bureau ou placée sur le plancher (avec des roulettes en option, vendues séparément). Pour prévenir le vol et l'altération de l'appareil, le boîtier de la station de charge de votre tablette est équipé de portes en acier verrouillables et de panneaux latéraux.

3. Identification des caractéristiques

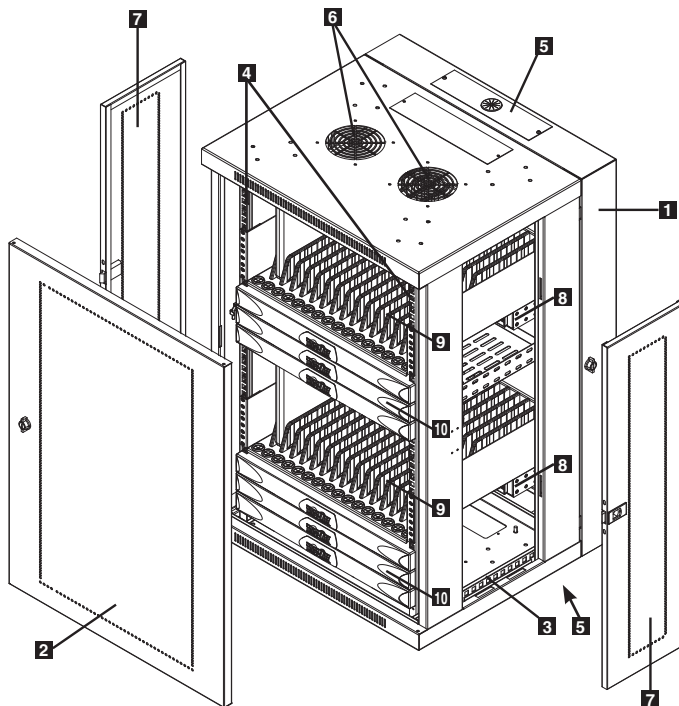
CS16AC(W)

- 1 Porte arrière de verrouillage
- 2 Porte avant réversible de verrouillage
- 3 Rails horizontaux
- 4 Rails de fixation verticaux
- 5 Bien fixer les plaques d'accès aux câbles supérieure et inférieure
- 6 Événements
- 7 Panneaux latéraux amovibles/verrouillables
- 8 Chargeur CA à 16 sorties pouvant être monté en bâti 1U
- 9 Étagère de rangement réglable pour 16 tablettes
- 10 Panneaux de suppression sans outils



CS32AC(W)

- 1 Porte arrière de verrouillage
- 2 Porte avant réversible de verrouillage
- 3 Rails horizontaux
- 4 Rails de fixation verticaux
- 5 Bien fixer les plaques d'accès aux câbles supérieure et inférieure
- 6 Événements
- 7 Panneaux latéraux amovibles/verrouillables
- 8 Chargeur CA à 16 sorties pouvant être monté en bâti 1U
- 9 Étagère de rangement réglable pour 16 tablettes
- 10 Panneaux de suppression sans outils



4. Installation de l'enceinte



Attention! Lisez toutes les instructions et les avertissements avant l'installation!



Attention : Les enceintes peuvent être extrêmement lourdes. N'essayez pas de les déballer, de les déplacer ou de les installer sans assistance. Soyez extrêmement prudent lorsque vous manipulez l'enceinte et assurez-vous de suivre toutes les manipulations et les instructions d'installation. N'essayez pas d'installer des équipements sans avoir d'abord stabilisé l'enceinte.

4.1 Préparation

L'enceinte doit être installée dans une zone structurellement capable de supporter le poids de l'enceinte, tout le matériel qui sera installé dans l'enceinte et toute autre enceinte et/ou équipement qui sera installé à proximité. Avant de déballer l'enceinte, vous devriez transporter l'emballage de transport près de l'emplacement d'installation définitive pour minimiser la distance que vous aurez besoin de déplacer l'appareil une fois que l'emballage de protection a été retiré. Si vous prévoyez entreposer l'enceinte pendant une période prolongée avant l'installation, suivez les instructions dans la section **Entreposage et entretien**.

Pour un montage mural, vous aurez besoin :

- Niveau
- Tournevis cruciforme
- Outils appropriés au montage mural

Vous avez aussi besoin du matériel suivant :

- Matériel approprié pour un montage mural (non inclus)

4.2 Déballage



Utilisez au moins deux personnes pour déballer l'enceinte.



Remarque : Le boîtier doit être déplacé à proximité de son emplacement d'installation à l'intérieur de son conteneur d'expédition avant qu'il ne soit déballé. Pour les applications mobiles, utiliser la trousse d'accessoires pour roulettes et poignée CSHANDLEKIT.

- 1 Ouvrez la boîte et enlever les quatre protecteurs de coin en mousse. Lors du déballage, examiner l'intérieur de l'armoire pour du matériel d'emballage supplémentaire. S'assurer d'enlever tout le matériel d'emballage de l'intérieur et de l'extérieur de l'appareil. Conservez tous les matériaux d'emballage pour une utilisation ultérieure, sauf si vous êtes certain(e) qu'ils ne seront pas nécessaires. Les matériaux d'emballage sont recyclables.
- 2 Avec une personne de chaque côté, soulevez l'enceinte délicatement hors de la palette et placez-la sur une surface ferme et plane.
- 3 Examinez l'enceinte pour tout dommage ou pièce détachée. Confirmez que toutes les pièces sont présentes. Si quelque chose est manquant ou endommagé, contactez Tripp Lite pour de l'aide. Ne tentez pas d'utiliser l'enceinte si elle a été endommagée.

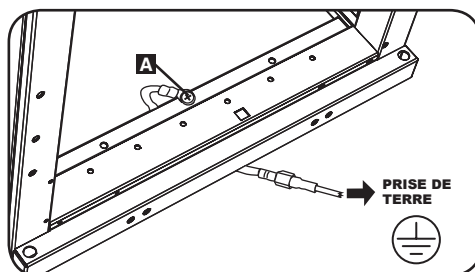


Attention : N'essayez jamais de soulever ou d'installer sans aide. N'essayez pas de soulever l'enceinte seul.

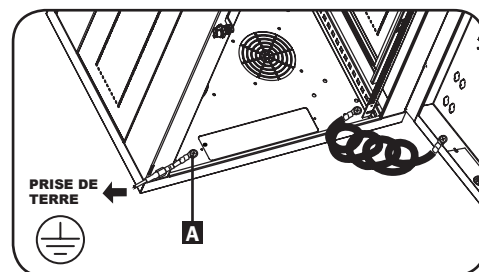


4.3 Mise à la terre

Toutes les pièces du coffret sont mises à la terre au châssis du coffret. Connecter la prise de terre de votre installation au goujon de mise à la terre **A** à l'aide d'un fil de calibre 8 AWG (3,264 mm). **Avertissement : brancher chaque coffret à une mise à la terre séparée. Ne pas utiliser le coffret sans connexion de mise à la terre.**



CS16AC(W)



CS32AC(W)

4.3 Besoins en matière de puissance

La station de chargement doit être branchée dans une prise CA muni d'un circuit spécialisé. Une prise CA avec un circuit de 20 ampères est préférable pour alimenter la station de chargement. La prise CA utilisée pour alimenter la station de chargement ne doit pas être partagée avec d'autres appareils électroniques. La puissance totale de la station de chargement et de tous les composants branchés ne devrait pas excéder 720 watts (modèle CS16AC/CS16ACW) ou 1 440 watts (modèle CS32AC/CS32ACW).

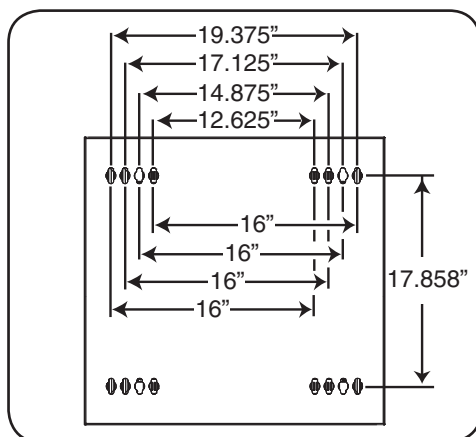
5. Montage au mur de l'enceinte

Avvertissement : Ne pas tenter de monter la station de chargement au mur avec des appareils électroniques personnels à l'intérieur.

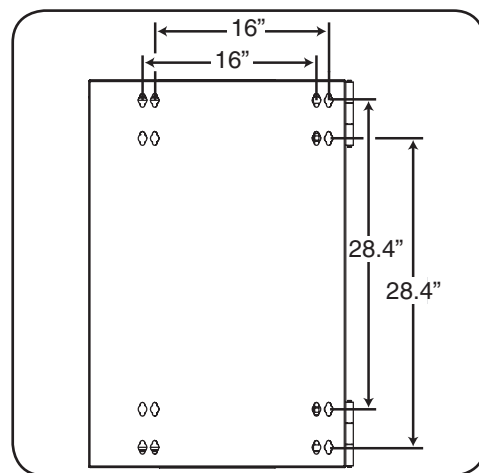
Il ya 16 découpes en trou de serrure sur la porte arrière des enceintes CS16AC et CS32AC. Chaque trou de la serrure peut accueillir un M10 ou 3/8 po. boulon (pour le modèle CS16AC) ou une M5 ou 3/16 po. vis (pour le modèle CS32AC). Chacun des Quatre trous de serrure are Centres à 40,64 cm (16 po) l'ONU de l'Autre sur le plan de horizontal et are Espaces de 5,72 cm (2,25 po.) vers les Bords Extérieurs (voir les Diagrammes Correspondant à CHAQUE Modèle Pour Les Mesures exactes des trous de serrure).

A l'aide d'un niveau à bulle, mesurer pour situer vos zones de montage avec précision. Utiliser les dispositifs de fixation appropriés (non inclus) pour fixer l'enceinte au mur. Une fois le boîtier solidement suspendu sur les pièces de fixation ou solidement fixé au mur, ouvrir la porte arrière de l'appareil et serrer toute la quincaillerie de montage.

Remarque : Le boîtier de la station de chargement doit être installé par un technicien qualifié. Avant le montage, utiliser un niveau et un ruban à mesurer pour placer avec précision la zone de montage. Utiliser des fixations appropriées (non incluses) pour retenir la station de chargement au mur. Utiliser un moyen de montage approprié pour l'installation sur des blocs de béton, du béton, des cloisons sèches ou des montants de bois. **Avvertissement :** La surface d'appui doit pouvoir supporter sans danger la charge combinée de l'équipement et toute la quincaillerie et les composants attachés. Consulter la section Spécifications pour plus de détails sur le poids et les dimensions de votre modèle.



CS16AC(W)

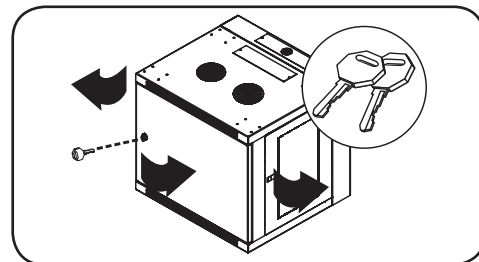


CS32AC(W)

6. Configuration de l'enceinte

6.1 Serrures de portes

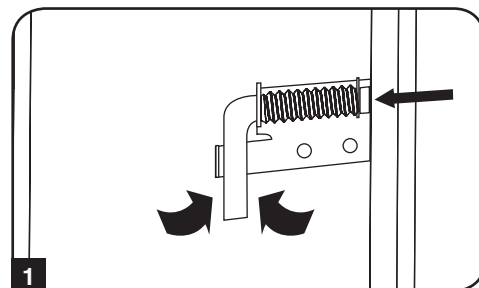
Les portes avant et arrière ont des serrures qui sont accessibles avec les clés incluses.



CS16AC(W)

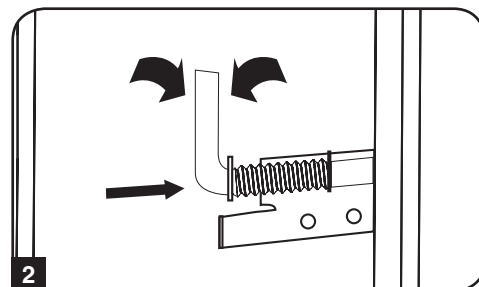
Chaque panneau latéral se verrouille avec un levier en forme de L à l'intérieur de l'enceinte.

1 Pour déverrouiller et retirer les panneaux latéraux, soulevez la jambe la plus courte du « L » et retirez-la de la paroi latérale. Tirez la languette sur le panneau latéral et retirez-la de l'enceinte.



2 Pour verrouiller de nouveau les panneaux latéraux, sécurisez-les dans la bonne position, soulevez la jambe la plus courte du « L » et poussez-la vers le panneau latéral dans le trou initial. Une fois qu'il est en place, poussez la jambe la plus courte du « L » afin de le verrouiller.

Remarque : Pour verrouiller et déverrouiller les panneaux latéraux, vous aurez besoin d'avoir accès à l'intérieur de l'enceinte.

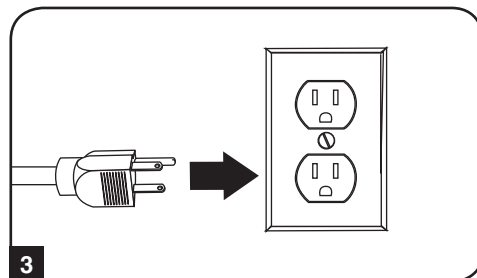
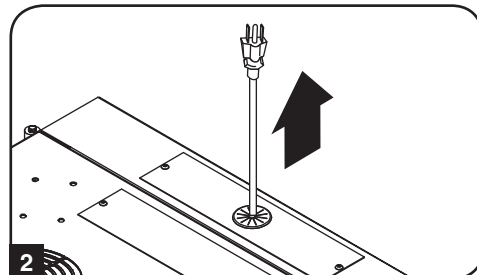


6. Configuration de l'enceinte

6.2 Cordon/câble d'alimentation – Accès et gestion

Les deux modèles de station de chargement comportent des plaques supérieure et inférieure d'accès aux câbles qui ne peuvent être retirées qu'en accédant à l'intérieur du boîtier.

Pour raccorder la station de charge et de synchronisation pour tablette à une prise d'alimentation, acheminer le cordon d'alimentation à travers la plaque d'accès aux câbles supérieure ou inférieure comportant un passe-fil en déverrouillant la porte avant et en retirant un ou les deux panneaux latéraux (tel qu'illustré dans la section 6.1) **1** Pousser ensuite la fiche d'entrée à travers le passe-fil supérieur ou inférieur **2** et acheminer le cordon vers la prise murale à trois broches mise à la masse la plus proche **3**.



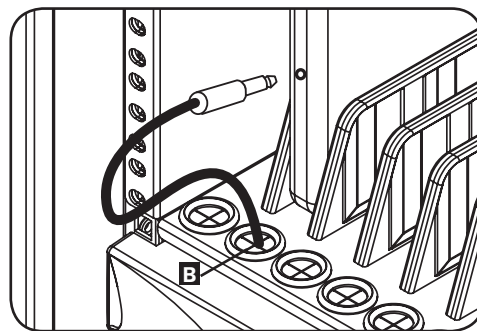
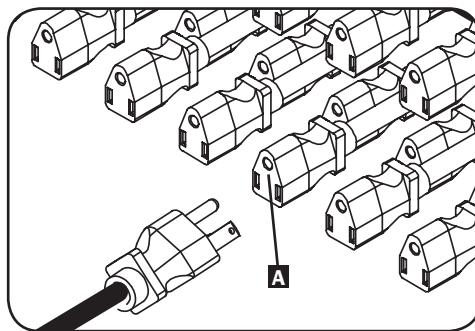
7. Chargeur CA à 16 sorties

7.1 Caractéristiques du chargeur CA

- Le boîtier de 1U pouvant être monté en bâti peut être configuré pour les installations professionnelles, pédagogiques ou personnelles.
- 16 x prises de sortie NEMA 5-15R
- 4,57 m (15 pi) Cordon CA avec fiche NEMA 5-15P
- L'interrupteur d'alimentation éclairé confirme l'état de l'alimentation on/off (marche/arrêt).
- Capacité électrique de 15 A avec disjoncteur
- Compatibilité électrique de 120 V AC, 50/60 Hz

7.2 Brancher des appareils au chargeur CA

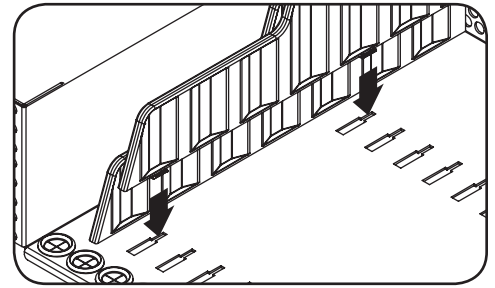
Chaque étagère de rangement comporte 16 bagues de retenue qui empêchent les connecteurs d'alimentation de glisser à travers la bague. Brancher la fiche d'alimentation de l'appareil dans une des prises de dongle du chargeur CA **A**, puis acheminer le connecteur d'alimentation à travers la bague de retenue de l'étagère de rangement pour établir une connexion de l'alimentation **B**. Répéter pour tous les appareils.



8. Réglage des diviseurs de l'étagère de rangement

La station de chargement est fournie avec une ou deux étagères de rangement avec diviseurs réglables qui peuvent chacune recevoir jusqu'à 16 appareils électroniques personnels par étagère.

Enlever tous les appareils électroniques personnels rangés sur le plateau de l'étagère. Ensuite, déverrouiller et ouvrir la porte arrière de l'armoire. À partir de l'avant ou l'arrière de l'armoire, les diviseurs peuvent être réarrangés en les tirant ou en les enclenchant dans le plateau de l'étagère. Répéter au besoin pour tout plateau d'étagère supplémentaire.



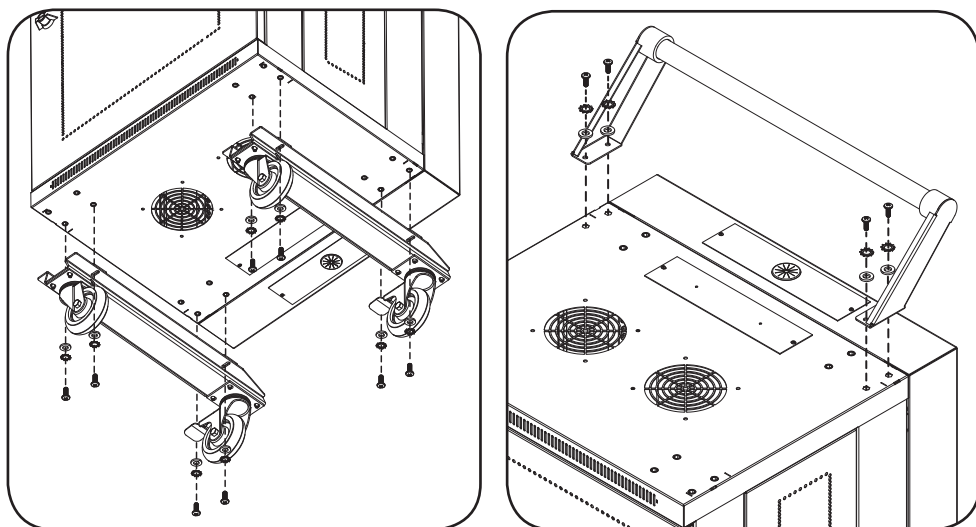
9. Spécifications

| Modèle | CS16AC | CS32AC |
|---|---|---|
| Dimensions du cabinet (H x L x P) | 549 x 600 x 549 mm (21,6 x 23,63 x 21,6 po.) | 905 x 600 x 549 mm (35,6 x 23,6 x 21,6 po.) |
| Poids unitaire | 25 kg (55 livres) | 43.5 kg (96 livres) |
| Capacité nominale* | 90 kg (200 livres) Immobile ou En mouvement | 113 kg (250 livres) Immobile ou En mouvement |
| Profondeur de montage du cabinet (réglable) | 76 à 521 mm (3 à 20.5 po.) | 76 à 521 mm (3 à 20.5 po.) |
| Prises CA | 16 x 5-15R | 32 x 5-15R |
| Besoins en puissance | Entrée : 120V AC, 50/60 Hz, 12 A / Sortie: 12 A par prise de dongle du chargeur CA | Entrée: 120V AC, 50/60 Hz, 12 A / Sortie : 12 A par prise de dongle du chargeur CA |
| Température supportée pour un fonctionnement normal | 0° à 40° C (32° à 104° F) | 0° à 40° C (32° à 104° F) |
| Humidité supportée pour un fonctionnement normal | 5 à 95 % HR, sans condensation | 5 à 95 % HR, sans condensation |
| Nombre de chargeurs CA | 1 | 2 |
| Dimensions du chargeur CA par appareil (H x L x P) | 57 x 483 x 241 mm (2,25 x 19 x 4 po.) | 57 x 483 x 241 mm (2,25 x 19 x 4 po.) |
| Matériau du boîtier | Métal | Métal |
| Approbations des autorités réglementaires | UL 60950, VUT (É.-U. et Canada), NOM (Mexique) et RoHS | UL 60950, VUT (É.-U. et Canada), NOM (Mexique) et RoHS |

*Une installation murale complète nécessite une surface de support capable de soutenir le poids total du dispositif. La trousse accessoire CSHANDLEKIT est disponible en option pour les applications montées sur roues.

10. Roulettes et poignée en option

Pour les applications nécessitant une plus grande mobilité, une trousse d'accessoires pour roulettes et poignée en option (**modèle : CSHANDLEKIT**) contient deux roulettes pivotantes/verrouillables, deux roulettes pivotantes seulement et une poignée qui se fixe sur le dessus d'une station de chargement. Pour des instructions d'installation supplémentaires, se reporter au manuel inclus avec le CSHANDLEKIT.



11. Entreposage et entretien

Entreposage

L'enceinte doit être entreposée dans un environnement contrôlé à l'intérieur, loin de l'humidité extrême, des liquides inflammables et des gaz, des contaminants conducteurs, de la poussière et rayons directs du soleil. Entrez l'enceinte dans son emballage d'origine si possible.

Entretien

L'enceinte est couverte par la garantie limitée décrite dans ce manuel. Pour plus d'informations, visitez www.tripplite.com/support.

12. Garantie

GARANTIE LIMITÉE DE 2 ANS

Le vendeur garantit que ce produit, s'il est utilisé selon toutes les directives applicables, est exempt de défauts d'origine de matériel et de main-d'oeuvre pour une période de 2 ans à partir de la date initiale d'achat. Si le produit s'avère défectueux en matériel ou en main-d'oeuvre durant cette période, le vendeur réparera ou remplacera le produit à sa discrétion. Vous pouvez obtenir un service selon cette garantie seulement en livrant ou en expédiant le produit (avec les frais d'expédition et de livraison prépayés) à : Tripp Lite, 1111 W. 35th Street, Chicago, IL 60609 USA. Le vendeur paiera les frais d'expédition de retour. Visitez www.tripplite.com/support avant de retourner de l'équipement pour réparation.

CETTE GARANTIE NE S'APPLIQUE PAS À L'USURE NORMALE OU AUX DOMMAGES RÉSULTANT D'ACCIDENTS, D'ACCIDENTS, D'ABUS OU DE NÉGLIGENCE. LE VENDEUR N'OFFRE AUCUNE GARANTIE EXPLICITE AUTRE QUE LA GARANTIE EXPRESSÉMENT SIGNIFIÉE À LA PRÉSENTE. EXCEPTÉ SELON LES LIMITES DE LA LOI APPLICABLE, TOUTES LES GARANTIES IMPLICITES, Y COMPRIS TOUTES LES GARANTIES DE QUALITÉ MARCHANDE OU DE CONFORMITÉ À UN BESOIN PARTICULIER, SONT LIMITÉES EN DURÉE À LA PÉRIODE DE GARANTIE ÉNONCÉE CI DESSUS ET CETTE GARANTIE EXCLUE EXPLICITEMENT TOUS LES DOMMAGES ACCESSOIRES OU CONSÉCUTIFS. Certaines juridictions ne permettent pas la limitation de la durée d'une garantie implicite et certaines juridictions ne permettent pas la limitation ou l'exclusion de dommages accessoires ou consécutifs, en conséquence, les limitations et les exclusions ci dessus pourraient ne pas s'appliquer à vous. Cette garantie vous donne des droits légaux spécifiques et vous pourriez avoir d'autres droits selon les juridictions.

MISE EN GARDE : L'utilisateur devra prendre soin de déterminer avant de l'utiliser si cet appareil convient, est adéquat et sûr pour l'usage prévu. Puisque les applications individuelles sont sujettes à de grandes variations, le fabricant ne fait aucune représentation ni n'offre de garantie quand à l'applicabilité et à la conformité de ces appareils pour une application particulière.

Numéros d'identification de conformité aux règlements

À des fins de certification et d'identification de conformité aux règlements, votre produit Tripp Lite a reçu un numéro de série unique. Ce numéro se retrouve sur la plaque signalétique du produit, avec les inscriptions et informations d'approbation requises. Lors d'une demande d'information de conformité pour ce produit, utilisez toujours le numéro de série. Il ne doit pas être confondu avec le nom de la marque ou le numéro de modèle du produit.

L'information de conformité WEEE pour les clients de Tripp Lite et recycleurs (Union européenne)



Sous les directives et règlements de déchet d'équipements électrique et électronique (Waste Electrical and Electronic Equipment, WEEE), lorsque les clients achètent le matériel électrique et électronique neuf de Tripp Lite ils sont autorisés à :

- Envoyer le vieux matériel pour le recyclage sur une base de un-contre-un et en nature (ceci varie selon le pays)
- Renvoyer le matériel neuf pour recyclage quand ceci devient éventuellement un rebut

La politique de Tripp Lite est celle d'une amélioration continue. Les spécifications peuvent être modifiées sans préavis.

