

Instruction Sheet

Toolless Fixed Shelf for 4-Post Racks

Model: SRSHELF4PHDTM

PROTECT YOUR INVESTMENT!

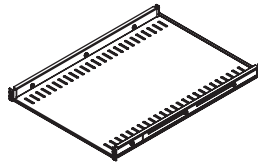
Register your product for quicker service and ultimate peace of mind.

You could also win an ISOBAR6ULTRA surge protector—a \$50 value!

www.tripplite.com/warranty



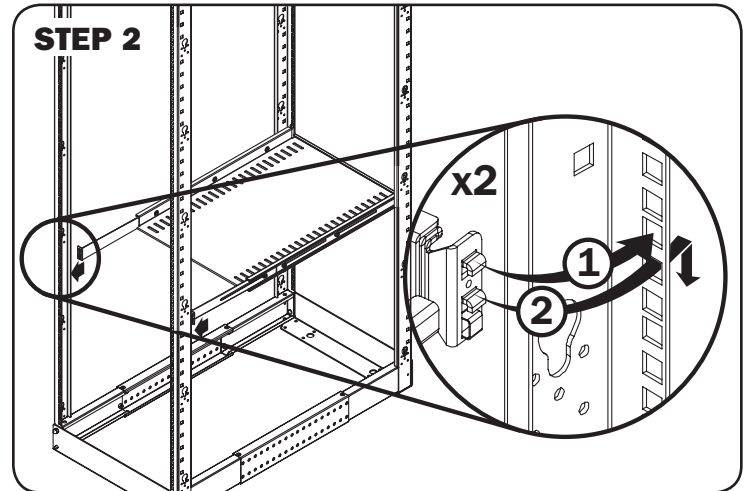
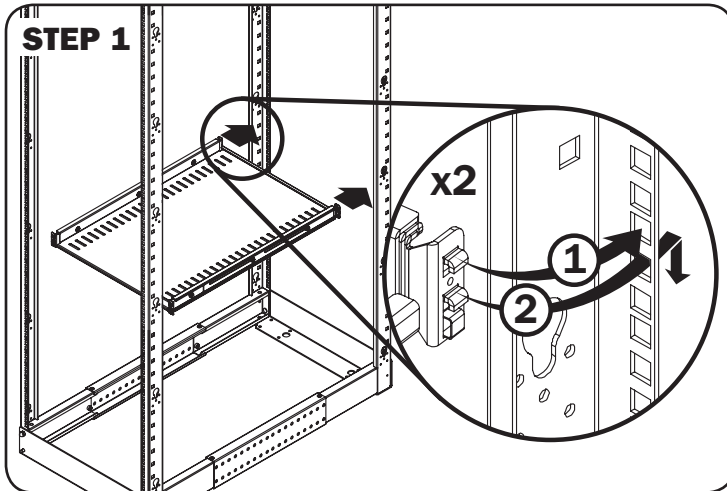
Parts List



SRSHELF4PHDTM

x1

Installation



To uninstall the SRSHELF4PHDTM, detach its mounting brackets from the rack posts by pushing its springs inward. Then lift the shelf upward and remove it from the rack.

Tripp Lite has a policy of continuous improvement. Product specifications are subject to change without notice.



1111 W. 35th Street, Chicago, IL 60609 USA • www.tripplite.com/support

Copyright © 2014 Tripp Lite. All trademarks are the sole property of their respective owners.