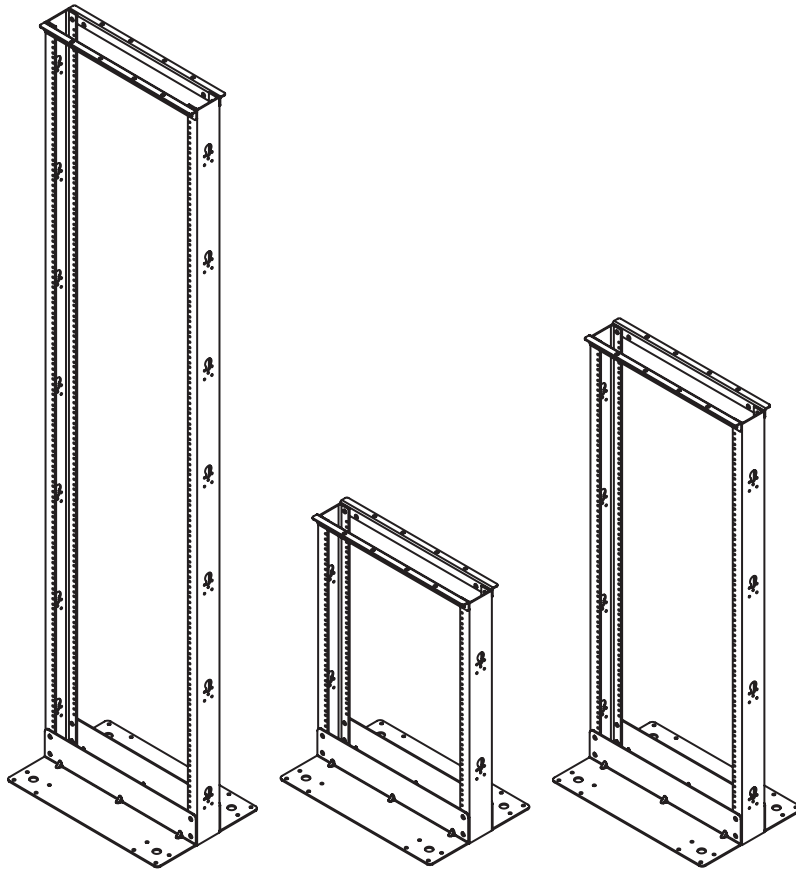


Owner's Manual

2-Post Open Frame Racks

Models: SR2POST, SR2POST13, SR2POST25



PROTECT YOUR INVESTMENT!

Register your product for quicker service and ultimate peace of mind.

You could also win an ISOBAR6ULTRA surge protector—a \$100 value!

www.tripplite.com/warranty



1111 West 35th Street, Chicago, IL 60609 USA • www.tripplite.com/support

Copyright © 2017 Tripp Lite. All trademarks are the sole property of their respective owners.

Important Safety Instructions

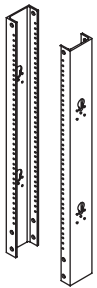
SAVE THESE INSTRUCTIONS

This manual contains instructions and warnings that must be followed during the installation and operation of the product described in this manual. Failure to comply may invalidate the warranty and cause property damage or personal injury.



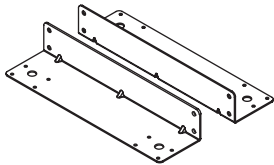
- Keep the rack in a controlled indoor environment, away from moisture, temperature extremes, flammable liquids and gasses, conductive contaminants and dust.
- Leave adequate space at the front of the rack for proper ventilation.
- Inspect the shipping container and the rack for shipping damage. Do not use the rack if it is damaged.
- Install the rack in a structurally sound area capable of handling the load, the weight of the rack, all equipment that will be installed in the rack and any other equipment that will be installed nearby.
- Save all packing materials for later use. Repacking and shipping the rack without the original packing materials may cause product damage that may affect the warranty.
- Use of this equipment in life support applications where failure of this equipment can reasonably be expected to cause the failure of the life support equipment or to significantly affect its safety or effectiveness is not recommended.

Parts List



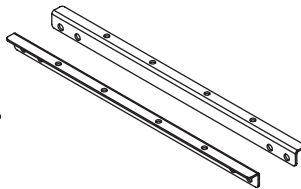
A
Upright

x2



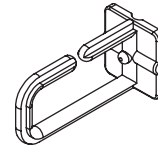
B
Base Plate

x2



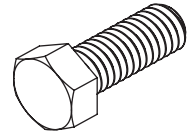
C
Top Support Rail

x2



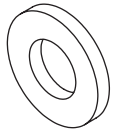
D
Cable Hook

x14 **x4** **x8**
(SR2POST) (SR2POST13) (SR2POST25)



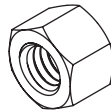
E
3/8"-16 X 1

x12



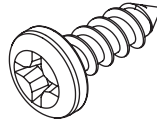
F
3/8" X 7/8" Washer

x20



G
3/8"-16 Nut

x8



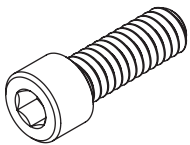
H
#8-18T-1/2"

x14 **x4** **x8**
(SR2POST) (SR2POST13) (SR2POST25)

Required Tools

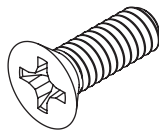
- 9/16" Wrench
- 9/16" Socket Wrench (Ratcheting)
- Cross-Head Screwdriver

Equipment Mounting Hardware



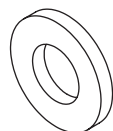
#12-24x5/8" (Cylindrical)

x28



#12-24x5/8" (Conical)

x28



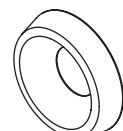
Washer (Black)

x28



Washer (White)

x28



Washer (Countersink)

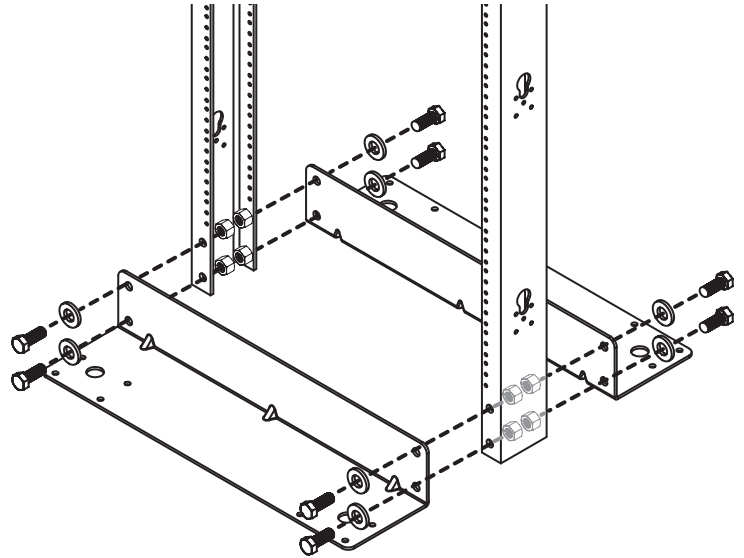
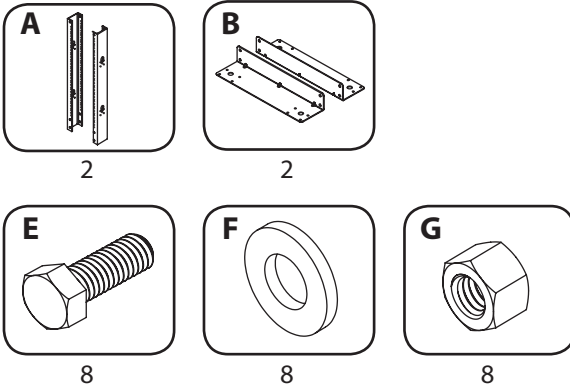
x28

Rack Assembly

Warning: Assemble the rack completely and confirm its stability before attempting to install equipment.

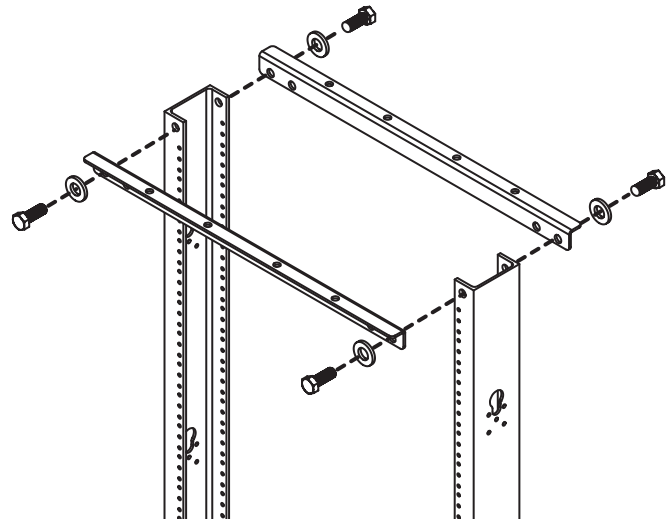
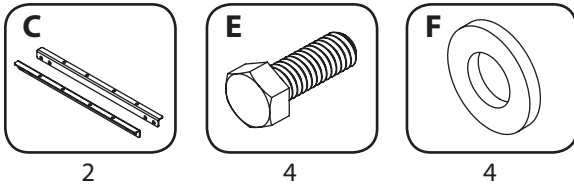
step 1

Note: The assembly process for all models is the same, the only differences being the length of the uprights and number of cable hooks.

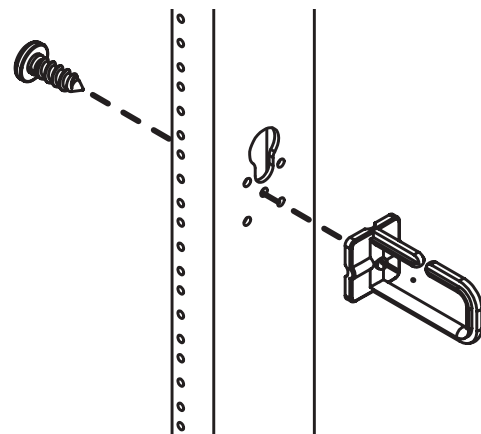
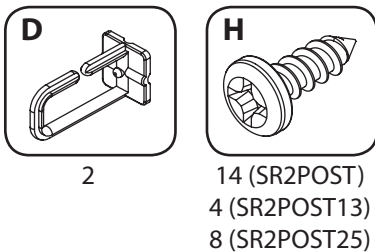


step 2

Note: If necessary, lay assembly down on a flat surface to attach top support rails.



step 3 (optional)



Equipment Installation

All models can support an equipment load up to 800 lb. maximum.



WARNING: Install heavier equipment first and install it toward the bottom of the rack. Install equipment starting from the bottom of the rack and proceeding toward the top of the rack—never the reverse.

Warranty & Product Registration

5-Year Limited Warranty

Seller warrants this product, if used in accordance with all applicable instructions, to be free from original defects in material and workmanship for a period of 5 years from the date of initial purchase. If the product should prove defective in material or workmanship within that period, Seller will repair or replace the product, at its sole discretion.

THIS WARRANTY DOES NOT APPLY TO NORMAL WEAR OR TO DAMAGE RESULTING FROM ACCIDENT, MISUSE, ABUSE OR NEGLIGENCE. SELLER MAKES NO EXPRESS WARRANTIES OTHER THAN THE WARRANTY EXPRESSLY SET FORTH HEREIN. EXCEPT TO THE EXTENT PROHIBITED BY APPLICABLE LAW, ALL IMPLIED WARRANTIES, INCLUDING ALL WARRANTIES OF MERCHANTABILITY OR FITNESS, ARE LIMITED IN DURATION TO THE WARRANTY PERIOD SET FORTH ABOVE; AND THIS WARRANTY EXPRESSLY EXCLUDES ALL INCIDENTAL AND CONSEQUENTIAL DAMAGES. (Some states do not allow limitations on how long an implied warranty lasts, and some states do not allow the exclusion or limitation of incidental or consequential damages, so the above limitations or exclusions may not apply to you. This warranty gives you specific legal rights, and you may have other rights which vary from jurisdiction to jurisdiction).

WARNING: The individual user should take care to determine prior to use whether this device is suitable, adequate or safe for the use intended. Since individual applications are subject to great variation, the manufacturer makes no representation or warranty as to the suitability or fitness of these devices for any specific application.

Product Registration

Visit www.tripplite.com/warranty today to register your new Tripp Lite product. You'll be automatically entered into a drawing for a chance to win a FREE Tripp Lite product!*

* No purchase necessary. Void where prohibited. Some restrictions apply. See website for details.

Tripp Lite has a policy of continuous improvement. Specifications are subject to change without notice.



1111 West 35th Street, Chicago, IL 60609 USA • www.tripplite.com/support