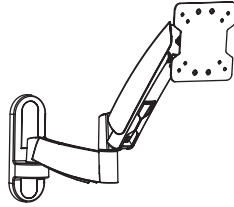


# Owner's Manual

## Full Motion Flat Screen Wall Mount

**MODEL: DWM1327SP**



CAUTION: DO NOT EXCEED MAXIMUM LISTED WEIGHT CAPACITY. SERIOUS INJURY OR PROPERTY DAMAGE MAY OCCUR!



75x75  
100x100



**15 kg**  
**(33 lbs)**

Este manual esta disponible en español en la página de Tripp Lite: [www.triplite.com](http://www.triplite.com)

Ce manuel est disponible en français sur le site Web de Tripp Lite : [www.triplite.com](http://www.triplite.com)

Русскоязычная версия настоящего руководства представлена на веб-сайте компании Tripp Lite по адресу: [www.triplite.com](http://www.triplite.com)

Dieses Handbuch ist in deutscher Sprache auf der Tripp Lite-Website verfügbar: [www.triplite.com](http://www.triplite.com)

### **PROTECT YOUR INVESTMENT!**

Register your product for quicker service and ultimate peace of mind.

You could also win an ISOBAR6ULTRA surge protector—a \$50 value!

[www.triplite.com/warranty](http://www.triplite.com/warranty)

# TRIPP·LITE



1111 W. 35th Street, Chicago, IL 60609 USA • [www.triplite.com/support](http://www.triplite.com/support)

Copyright © 2014 Tripp Lite. All rights reserved.

**NOTE:** Read the entire instruction manual before you start installation and assembly.



## **WARNING**

- Do not begin the installation until you have read and understood the instructions and warnings contained in this manual. If you have any questions regarding any of the instructions or warnings, please visit [www.triplite.com/support](http://www.triplite.com/support).
- This mounting bracket was designed to be installed and utilized ONLY as specified in this manual. Improper installation of this product may cause damage or serious injury.
- This product should only be installed by someone of good mechanical ability, with basic building experience and a full understanding of this instruction manual.
- Make sure that the mounting surface can safely support the combined load of the equipment and all attached hardware and components.
- If mounting to wood wall studs, make sure that mounting screws are anchored into the center of the studs. The use of a stud finder is highly recommended.
- Always use an assistant or mechanical lifting equipment to safely lift and position equipment.
- Tighten screws firmly, but do not over-tighten. Over-tightening can damage the items, greatly reducing their holding power.
- This product is intended for indoor use only. Using this product outdoors could lead to product failure and personal injury.

## **Warranty & Warranty Registration**

### **5-Year Limited Warranty**

Seller warrants this product, if used in accordance with all applicable instructions, to be free from original defects in material and workmanship for a period of 5 years from the date of initial purchase. If the product should prove defective in material or workmanship within that period, Seller will repair or replace the product, in its sole discretion.

THIS WARRANTY DOES NOT APPLY TO NORMAL WEAR OR TO DAMAGE RESULTING FROM ACCIDENT, MISUSE, ABUSE OR NEGLIGENCE. SELLER MAKES NO EXPRESS WARRANTIES OTHER THAN THE WARRANTY EXPRESSLY SET FORTH HEREIN. EXCEPT TO THE EXTENT PROHIBITED BY APPLICABLE LAW, ALL IMPLIED WARRANTIES, INCLUDING ALL WARRANTIES OF MERCHANTABILITY OR FITNESS, ARE LIMITED IN DURATION TO THE WARRANTY PERIOD SET FORTH ABOVE; AND THIS WARRANTY EXPRESSLY EXCLUDES ALL INCIDENTAL AND CONSEQUENTIAL DAMAGES. (Some states do not allow limitations on how long an implied warranty lasts, and some states do not allow the exclusion or limitation of incidental or consequential damages, so the above limitations or exclusions may not apply to you. This warranty gives you specific legal rights, and you may have other rights which vary from jurisdiction to jurisdiction).

**WARNING:** The individual user should take care to determine prior to use whether this device is suitable, adequate or safe for the use intended. Since individual applications are subject to great variation, the manufacturer makes no representation or warranty as to the suitability or fitness of these devices for any specific application.

### **WARRANTY REGISTRATION**

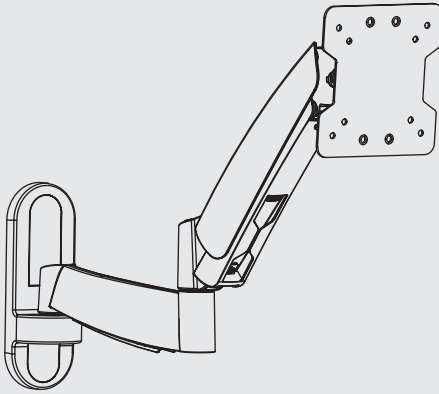
Visit [www.triplite.com/warranty](http://www.triplite.com/warranty) today to register the warranty for your new Tripp Lite product. You'll be automatically entered into a drawing for a chance to win a FREE Tripp Lite product!\*

\* No purchase necessary. Void where prohibited. Some restrictions apply. See website for details.

Tripp Lite has a policy of continuous improvement. Specifications are subject to change without notice.

## Component Checklist

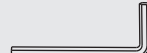
**IMPORTANT:** Ensure that you have received all parts according to the component checklist prior to installing. If any parts are missing or faulty, visit [www.triplite.com/support](http://www.triplite.com/support) for service.



DWM1327SP



Wrench (x1)



4mm Hex Key (x1)



6mm Hex Key (x1)

### Package M



M4X14 (x4)

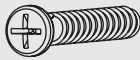


M5X14 (x4)

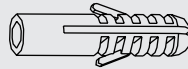


D5 Washer (x4)

### Package W

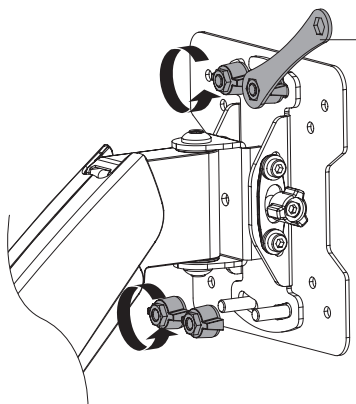


Anchor Bolt (x3)

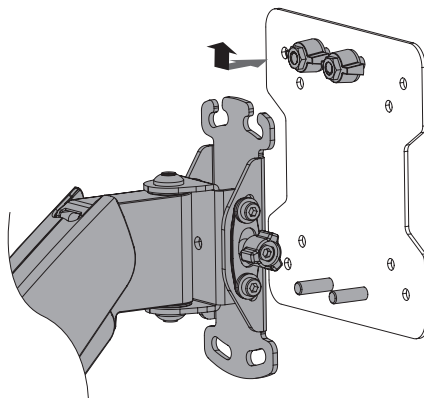


Concrete Anchor (x3)

## 1. Separate VESA Plate from Wall Mount

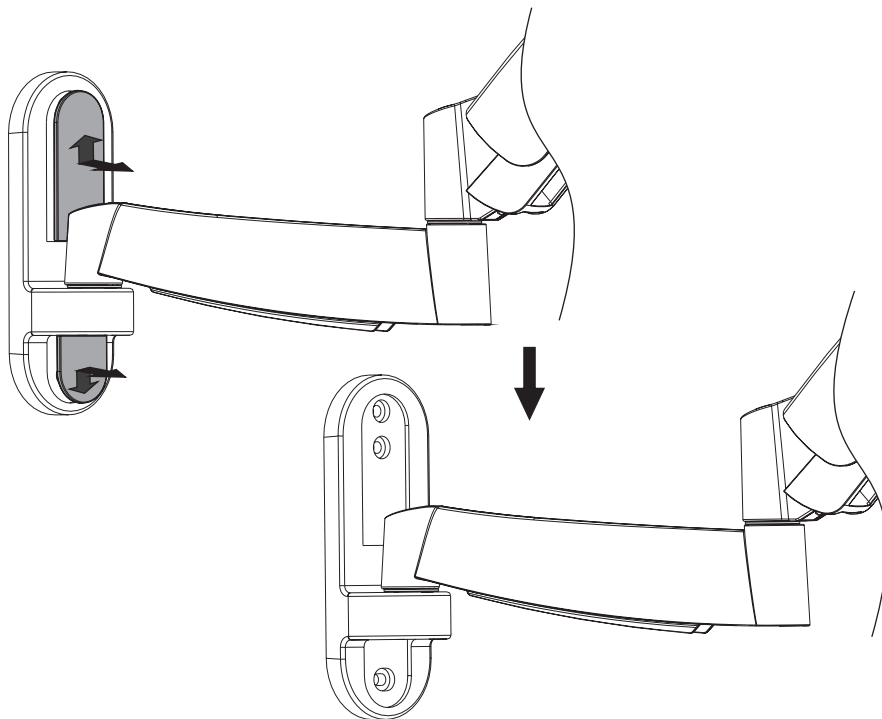


- Using the supplied wrench, loosen the two upper knobs
- Remove both lower knobs

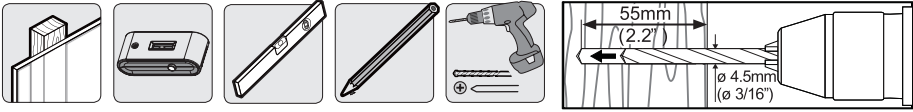


Remove VESA plate.

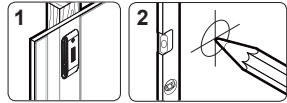
## 2. Remove the Decorative Covers



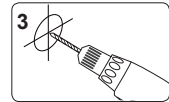
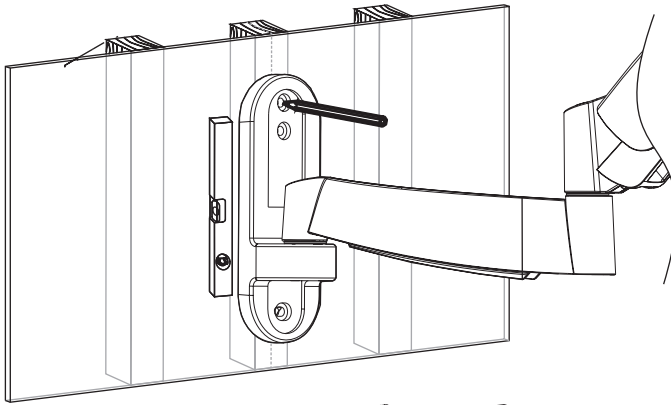
### 3a. Mount on Wood Stud Wall



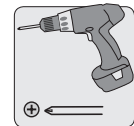
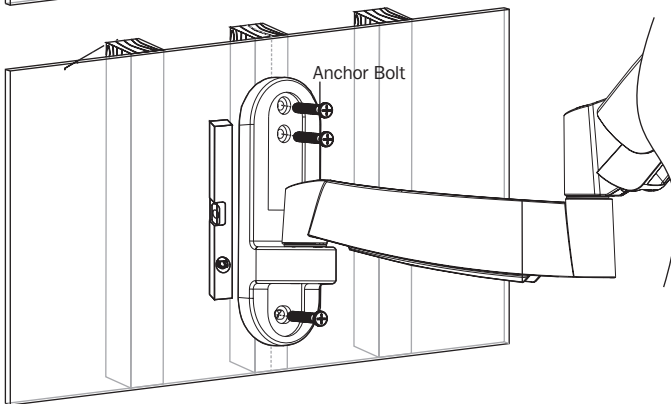
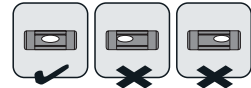
Find a wood stud location for mounting the wall mount



Mark the exact location of the mounting holes



Drill pilot holes

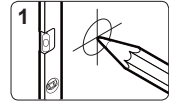
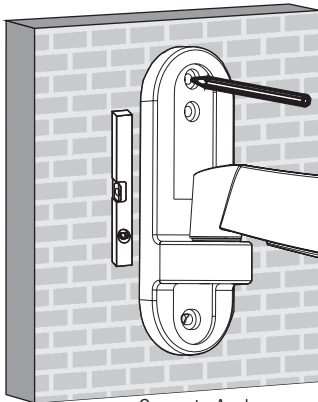
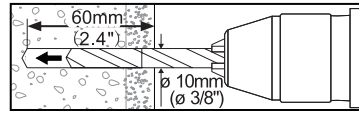
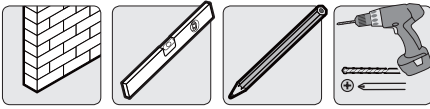


Screw the wall mount onto the wall

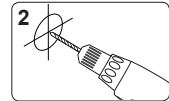
## **WARNING**

- Make sure that mounting screws are anchored into the center of the studs. Use of a stud finder is highly recommended.
- Installers are responsible to provide hardware for other types of mounting situations.
- Installers must verify that the supporting surface will safely support the combined load of the equipment and all attached hardware and components.

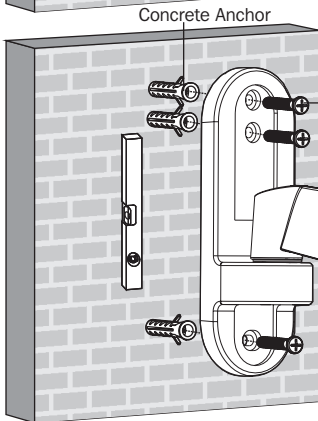
### 3b. Mount on Solid Brick and Concrete Block



1  
Mark the exact location of mounting holes

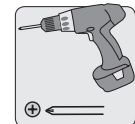
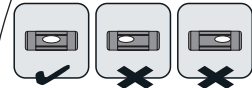


2  
Drill pilot holes



Concrete Anchor

Anchor Bolt

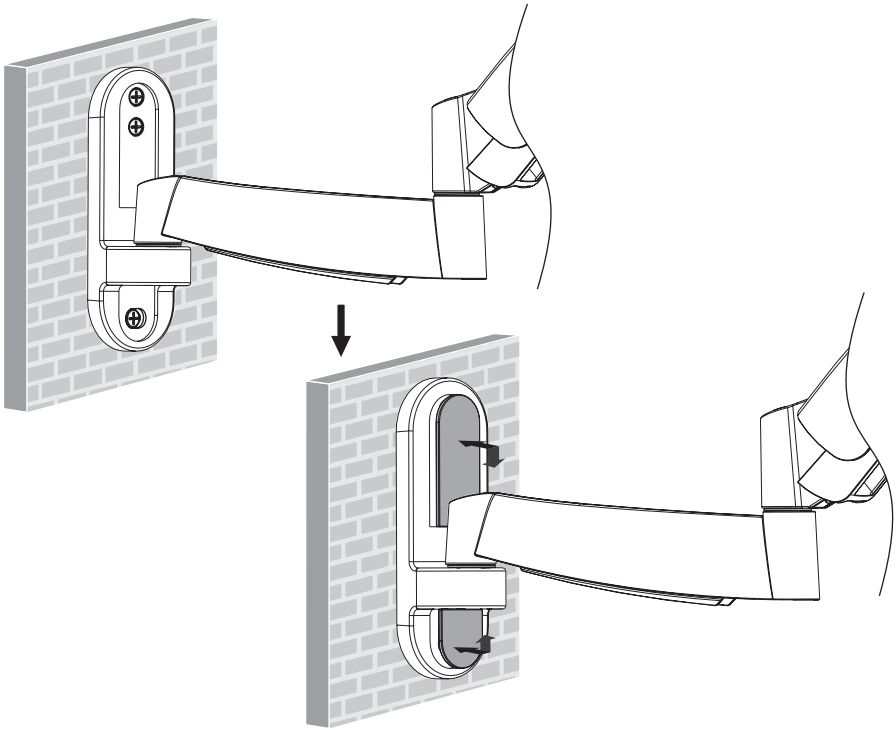


Screw the wall mount onto the wall

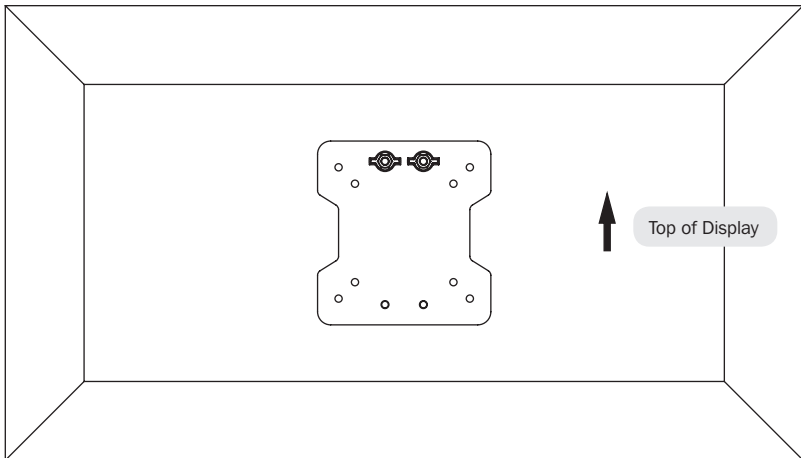
## **WARNING**

- When installing wall mounts onto a concrete masonry unit (also known as a CMU or “cinder block”), verify that the actual concrete thickness is at least 35mm (1-3/8”) in order to hold the concrete anchors. **DO NOT DRILL INTO MORTAR JOINTS!** Be sure to mount the wall mount with the included concrete anchors and anchor bolts onto solid sections of the blocks. The solid sections can generally be found 25mm (1”) toward the middle of the block from either end. An electric drill on a slow setting is suggested to drill the hole rather than a hammer drill so as to avoid breaking out the back of the hole when entering a hollow section.
- Installers must verify that the supporting surface will safely support the combined load of the equipment and all attached hardware and components.

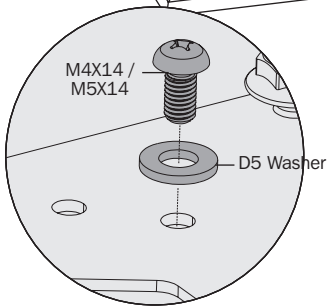
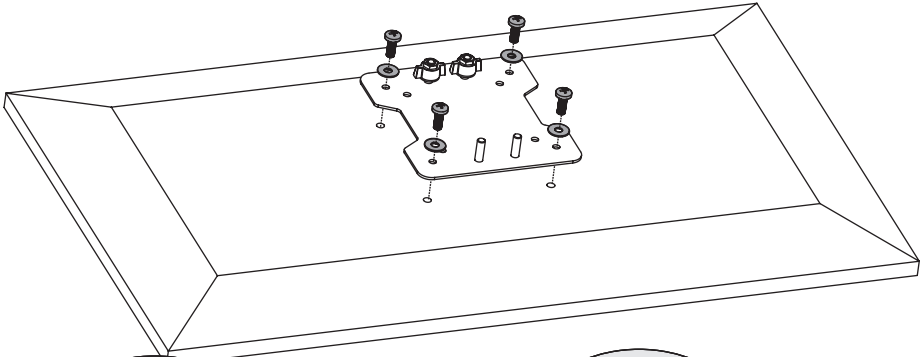
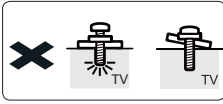
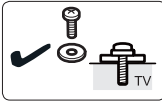
#### 4. Install Decorative Covers



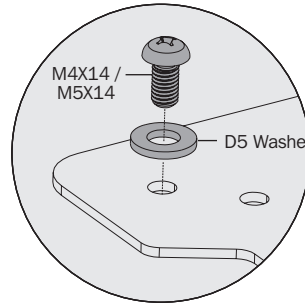
#### 5. Install VESA Plate



## 5. Install VESA Plate



or



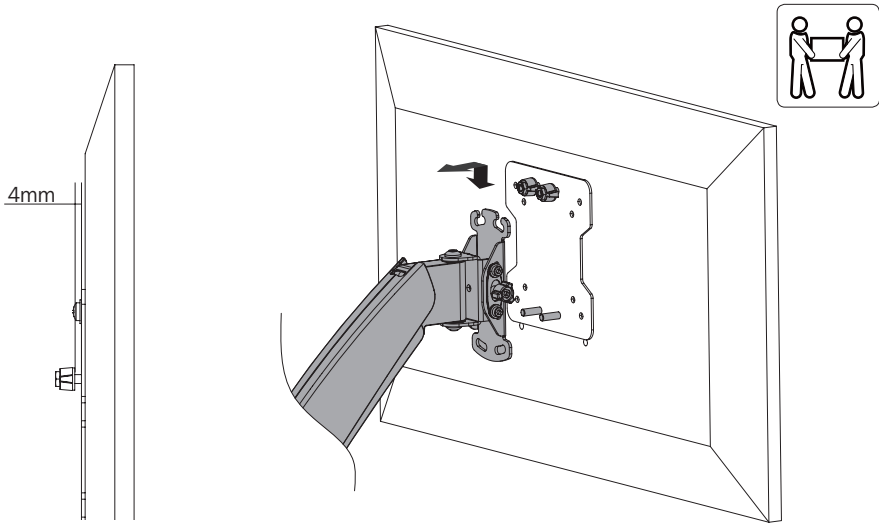
**Note:** Firmly secure the VESA plate to the display using the appropriate screws, washers and spacers (if necessary).



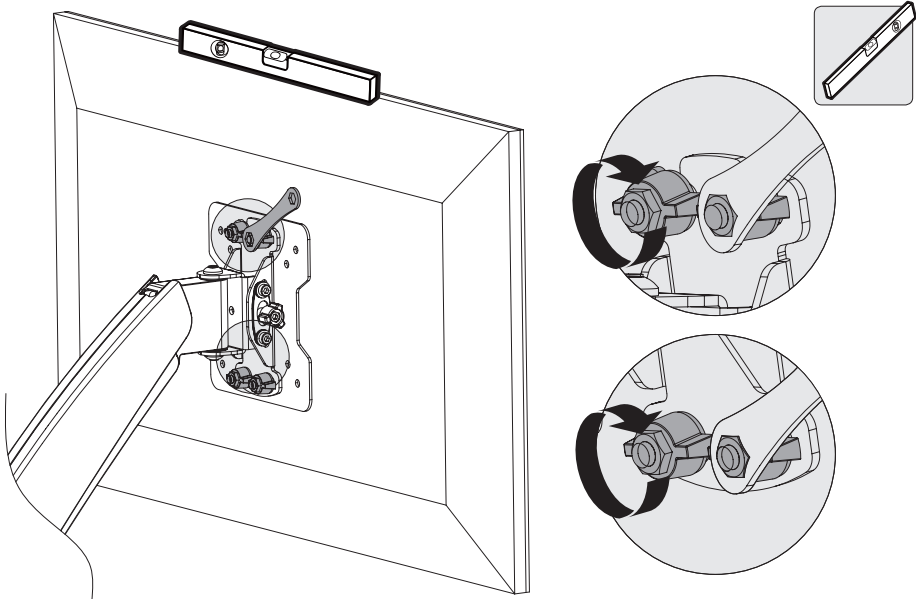
**Do not over-tighten screws.**



## 6. Hook the TV onto the Wall Mount

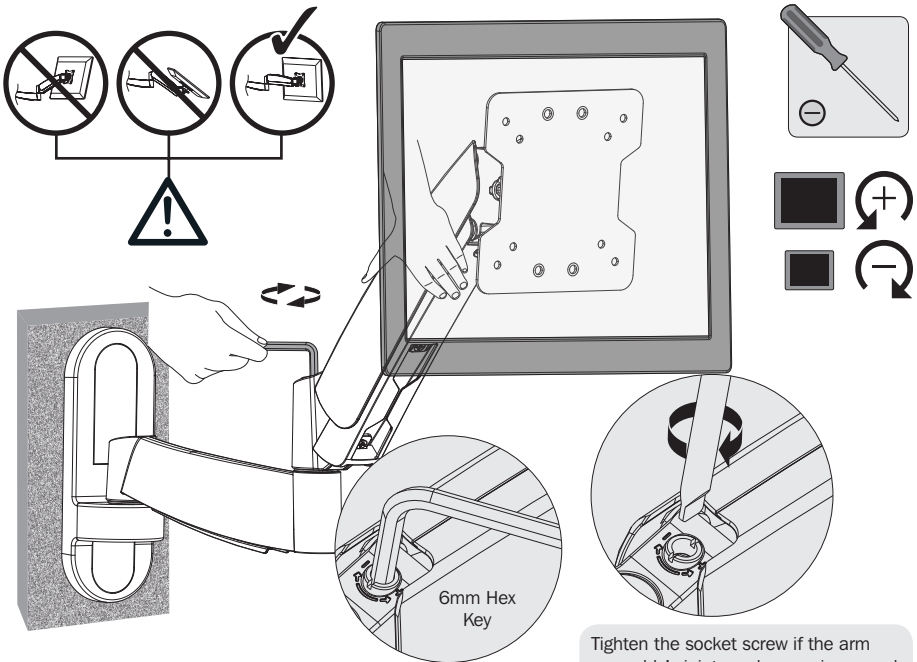


Using an assistant or mechanical lifting equipment, lift the display with attached VESA plate. Set the VESA plate's upper thumbscrews over the top flange of wall plate arm. Make sure the VESA plate's lower screws fit inside of the wall plate arm's lower holes.



- Position a level on the horizontal and vertical sides of the display and adjust as needed.
- Reattach the lower knobs to the VESA mount (removed in step 1). Using the supplied wrench, tighten all upper- and lower-knobs.

## 7. Tension Adjustment

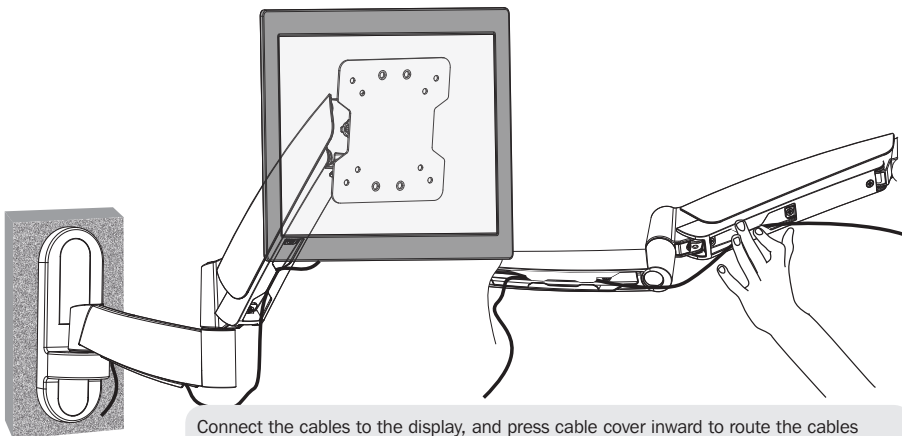


Tighten the socket screw if the arm assembly's joints make popping sounds during adjustment.

Keep the wall mount arm level during tension adjustment. You may need to slightly loosen or tighten the adjustment screw using the provided Hex Keys depending on the weight of display installed.

If display settles on its own, rotate adjustment screw towards the "+" symbol.  
If display rises on its own, rotate adjustment screw towards the "-" symbol.

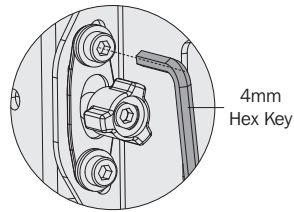
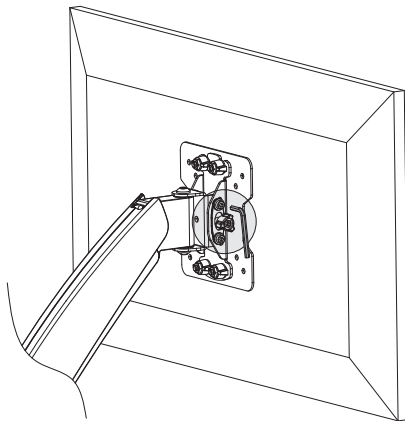
## 8. Cable Management



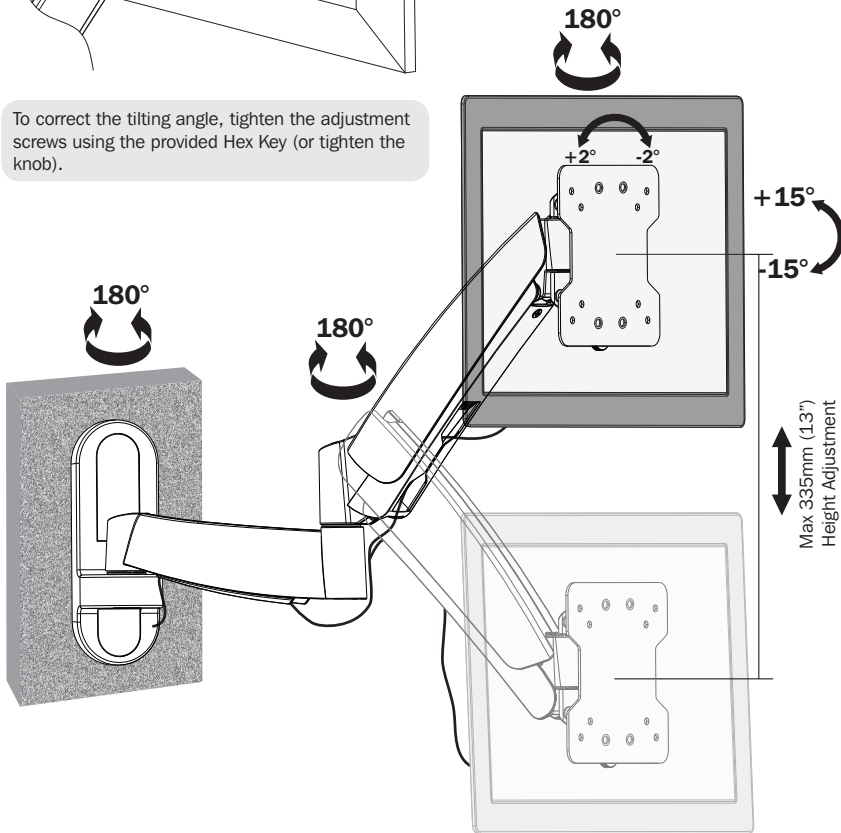
Connect the cables to the display, and press cable cover inward to route the cables through the space.

**Note:** Leave slack in cable for cantilever arm movement.

## 9. Adjustment



To correct the tilting angle, tighten the adjustment screws using the provided Hex Key (or tighten the knob).



Adjust to the desired location or tilt.

### Maintenance

- Check that the bracket is secure and safe to use at regular intervals (at least every three months).
- Please visit [www.tripplite.com/support](http://www.tripplite.com/support) if you have any questions.



1111 W. 35th Street, Chicago, IL 60609 USA • [www.tripplite.com/support](http://www.tripplite.com/support)