

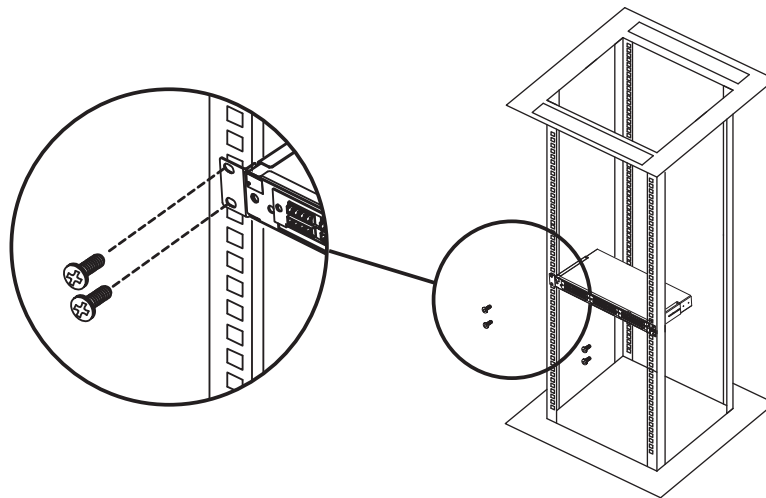
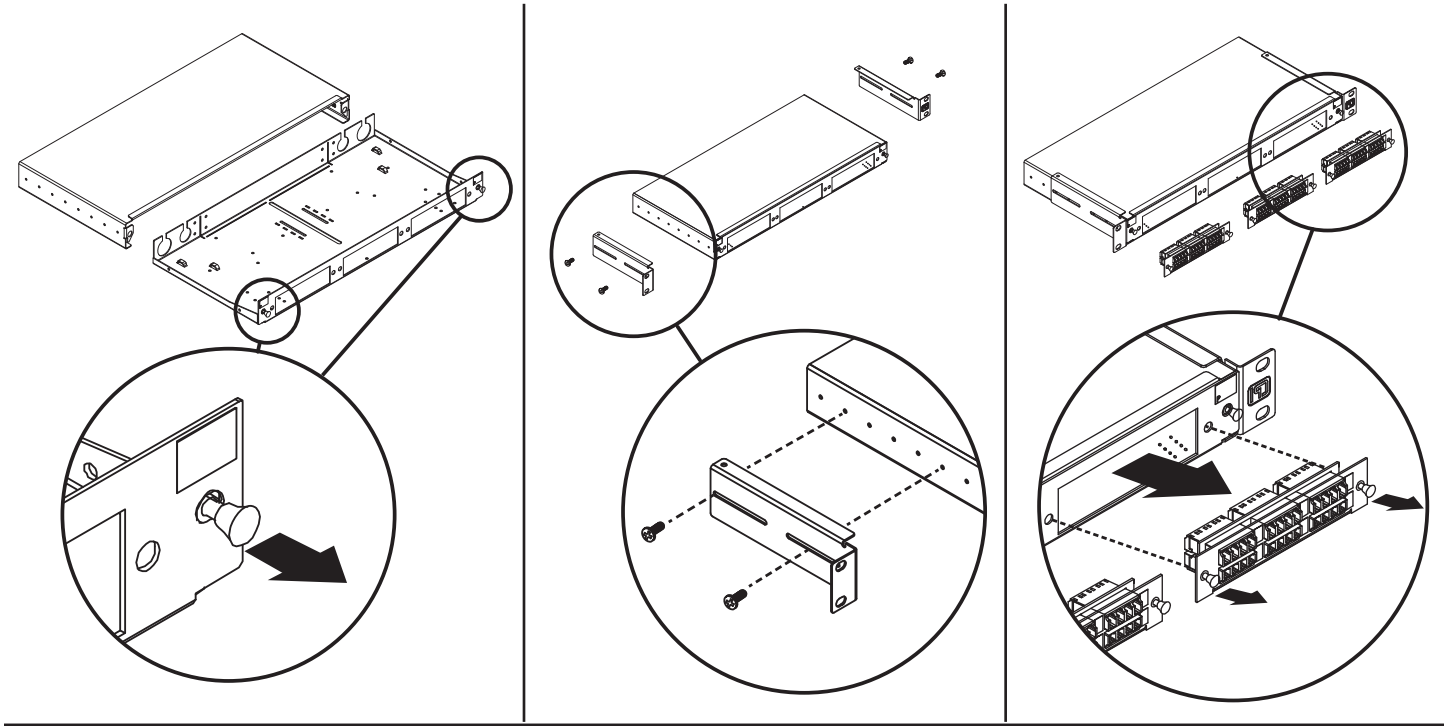
**WARRANTY
REGISTRATION**
Register online today for a
chance to win a FREE Tripp Lite
product! www.tripplite.com/warranty



Quick Start Guide

36-Port LC/LC 1U Enclosure Panel

Model: N492-036-LCLC-E



TRIPP·LITE

90
OVER
YEARS
Manufacturing
Excellence.

1111 W. 35th Street, Chicago, IL 60609 USA • www.tripplite.com/support

Copyright © 2013 Tripp Lite. All rights reserved. All trademarks are the property of their respective owners.

Warranty and Warranty Registration

Limited Lifetime Warranty

To obtain service under Tripp Lite's limited warranty, you must be the original purchaser/user of the product and you must obtain a Returned Material Authorization (RMA) number from Tripp Lite or an authorized Tripp Lite service center. Products must be returned to Tripp Lite or an authorized Tripp Lite service center with transportation charges prepaid within 30 days of the product deficiency and must be accompanied by a brief description of the problem encountered and proof of date and place of purchase. Contact Tripp Lite Customer Service before sending any equipment back for warranty service. Tripp Lite will attempt to diagnose and resolve your issue over the phone, e-mail or through remote assistance. Tripp Lite may direct you to download and install designated software updates.

TRIPP LITE'S LIMITED WARRANTY DOES NOT APPLY TO NORMAL WEAR OR TO DAMAGE RESULTING FROM ACCIDENT, MISUSE, ABUSE OR NEGLIGENCE. TRIPP LITE MAKES NO WARRANTIES OTHER THAN THE LIMITED WARRANTY EXPRESSLY SET FORTH HEREIN. EXCEPT TO THE EXTENT PROHIBITED BY APPLICABLE LAW, ALL IMPLIED WARRANTIES, INCLUDING ALL WARRANTIES OF MERCHANTABILITY OR FITNESS FOR A PARTICULAR PURPOSE, ARE HEREBY DISCLAIMED; AND TRIPP LITE'S WARRANTY EXPRESSLY EXCLUDES ALL INCIDENTAL AND CONSEQUENTIAL DAMAGES. (Some states do not allow limitations or exclusion of implied warranties, and some states do not allow the exclusion or limitation of incidental or consequential damages, so the above limitations or exclusions may not apply to you. Tripp Lite's limited warranty gives you specific legal rights, and you may have other rights which vary from jurisdiction to jurisdiction).

Tripp Lite: 1111 W. 35th Street, Chicago IL 60609 USA

WARNING: The individual user should take care to determine prior to use whether this device is suitable, adequate or safe for the use intended. Because individual applications are subject to great variation, Tripp Lite makes no representation or warranty as to the suitability or fitness of these devices for any specific application.

Tripp Lite warrants this product, if used in accordance with all applicable instructions, to be free from original defects in material and workmanship for life. If the product should prove defective in material or workmanship within that period, Tripp Lite will, subject to the foregoing terms and limitations, repair or replace the product, in its sole discretion, as your exclusive remedy for Tripp Lite's breach of its limited warranty.

WARRANTY REGISTRATION

Visit www.tripplite.com/warranty today to register the warranty for your new Tripp Lite product. You'll be automatically entered into a drawing for a chance to win a FREE Tripp Lite product!*

* No purchase necessary. Void where prohibited. Some restrictions apply. See website for details.

WEEE Compliance Information for Tripp Lite Customers and Recyclers (European Union)



Under the Waste Electrical and Electronic Equipment (WEEE) Directive and implementing regulations, when customers buy new electrical and electronic equipment from Tripp Lite they are entitled to:

- Send old equipment for recycling on a one-for-one, like-for-like basis (this varies depending on the country)
- Send the new equipment back for recycling when this ultimately becomes waste

The policy of Tripp Lite is one of continuous improvement. Specifications are subject to change without notice.



1111 W. 35th Street, Chicago, IL 60609 USA • www.tripplite.com/support