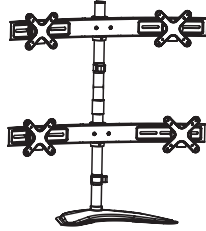


Owner's Manual

Quad Flat Screen Desk Stand

MODEL: DDR1026MQ



CAUTION: DO NOT EXCEED MAXIMUM LISTED WEIGHT CAPACITY. SERIOUS INJURY OR PROPERTY DAMAGE MAY OCCUR!



WARNING

• Always use an assistant or mechanical lifting equipment to safely lift and position equipment.



75x75
100x100



13.6 kg x 4
(30 lb.) x 4
MAX

Este manual esta disponible en español en la página de Tripp Lite: www.tripplite.com

Ce manuel est disponible en français sur le site Web de Tripp Lite : www.tripplite.com

Русскоязычная версия настоящего руководства представлена на веб-сайте компании Tripp Lite по адресу: www.tripplite.com

Dieses Handbuch ist in deutscher Sprache auf der Tripp Lite-Website verfügbar: www.tripplite.com

PROTECT YOUR INVESTMENT!

Register your product for quicker service and ultimate peace of mind.

You could also win an ISOBAR6ULTRA surge protector—a \$100 value!

www.tripplite.com/warranty

TRIPP·LITE



1111 W. 35th Street, Chicago, IL 60609 USA • www.tripplite.com/support

Copyright © 2017 Tripp Lite. All rights reserved.

NOTE: Read the entire instruction manual before you start installation and assembly.



WARNING

- Please read the entire instruction manual before you start installation and assembly. If you have questions about any of the instructions or warnings, please contact Tripp Lite.
- This desk stand is designed to be installed and used only as specified in this manual. Improper installation of this product may cause damage or serious injury.
- Be sure the supporting surface will safely support the combined weight of the equipment and all attached hardware and components.
- Always use an assistant or mechanical lifting equipment to safely lift and position the equipment.
- Tighten screws firmly, but do not over-tighten. Over-tightening can cause damage to the items and reduce their holding power.
- This product is intended for indoor use only. Using this product outdoors could lead to product failure and personal injury.

Warranty & Product Registration

5-Year Limited Warranty

Seller warrants this product, if used in accordance with all applicable instructions, to be free from original defects in material and workmanship for a period of 5 years from the date of initial purchase. If the product should prove defective in material or workmanship within that period, Seller will repair or replace the product, in its sole discretion.

THIS WARRANTY DOES NOT APPLY TO NORMAL WEAR OR TO DAMAGE RESULTING FROM ACCIDENT, MISUSE, ABUSE OR NEGLIGENCE. SELLER MAKES NO EXPRESS WARRANTIES OTHER THAN THE WARRANTY EXPRESSLY SET FORTH HEREIN. EXCEPT TO THE EXTENT PROHIBITED BY APPLICABLE LAW, ALL IMPLIED WARRANTIES, INCLUDING ALL WARRANTIES OF MERCHANTABILITY OR FITNESS, ARE LIMITED IN DURATION TO THE WARRANTY PERIOD SET FORTH ABOVE; AND THIS WARRANTY EXPRESSLY EXCLUDES ALL INCIDENTAL AND CONSEQUENTIAL DAMAGES. (Some states do not allow limitations on how long an implied warranty lasts, and some states do not allow the exclusion or limitation of incidental or consequential damages, so the above limitations or exclusions may not apply to you. This warranty gives you specific legal rights, and you may have other rights which vary from jurisdiction to jurisdiction).

WARNING: The individual user should take care to determine prior to use whether this device is suitable, adequate or safe for the use intended. Since individual applications are subject to great variation, the manufacturer makes no representation or warranty as to the suitability or fitness of these devices for any specific application.

PRODUCT REGISTRATION

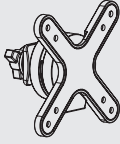
Visit www.tripplite.com/warranty today to register your new Tripp Lite product. You'll be automatically entered into a drawing for a chance to win a FREE Tripp Lite product!*

* No purchase necessary. Void where prohibited. Some restrictions apply. See website for details.

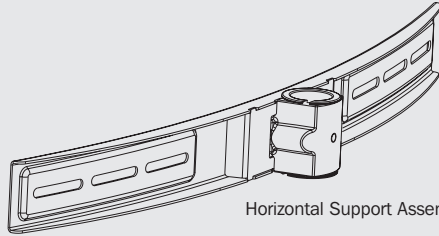
Tripp Lite has a policy of continuous improvement. Specifications are subject to change without notice.

Parts List

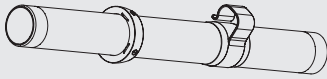
IMPORTANT: Before installation, be sure you have received all the parts listed below. If any parts are missing or faulty, contact Tripp Lite for replacements.



Adapter Bracket Assembly (x4)



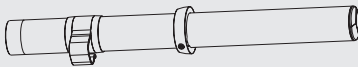
Horizontal Support Assembly (x2)



Bottom Pole (x1)



Connector (x1)



Top Pole (x1)



Base (x1)

Package M



M4X14 (x16)



M5X14 (x16)

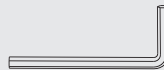


D5 Washer (x16)

Package P



3 mm Hex Key (x1)

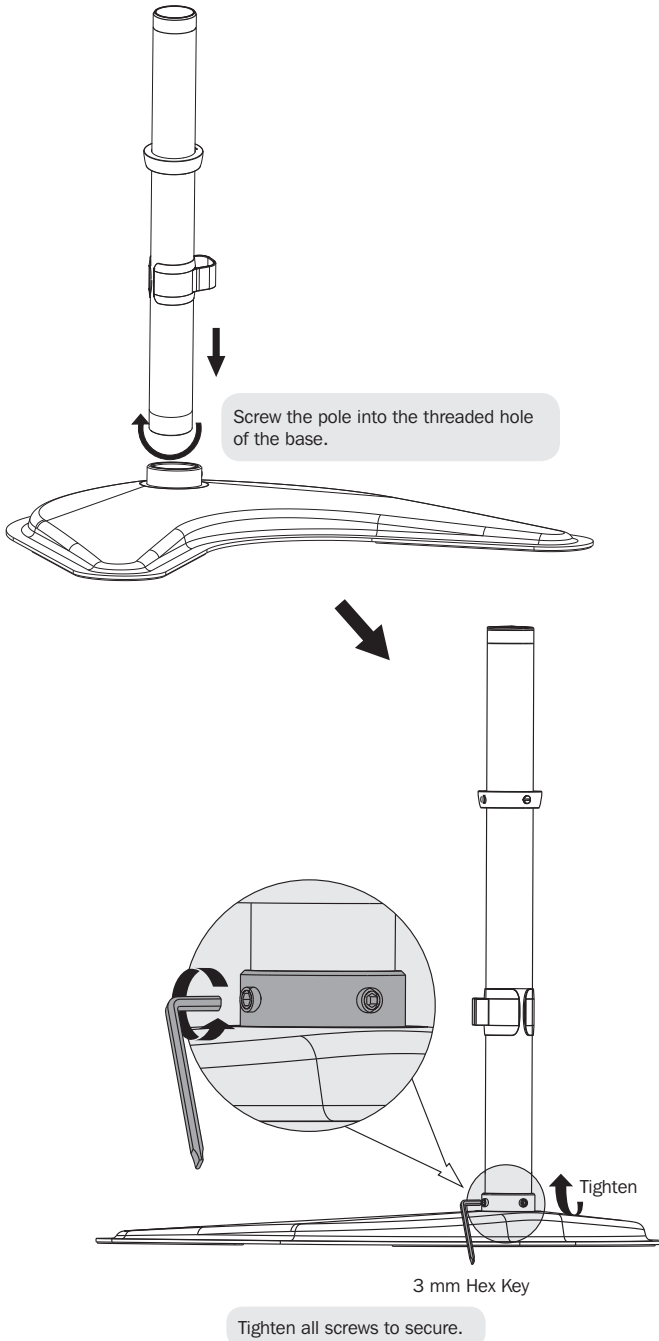


4 mm Hex Key (x1)

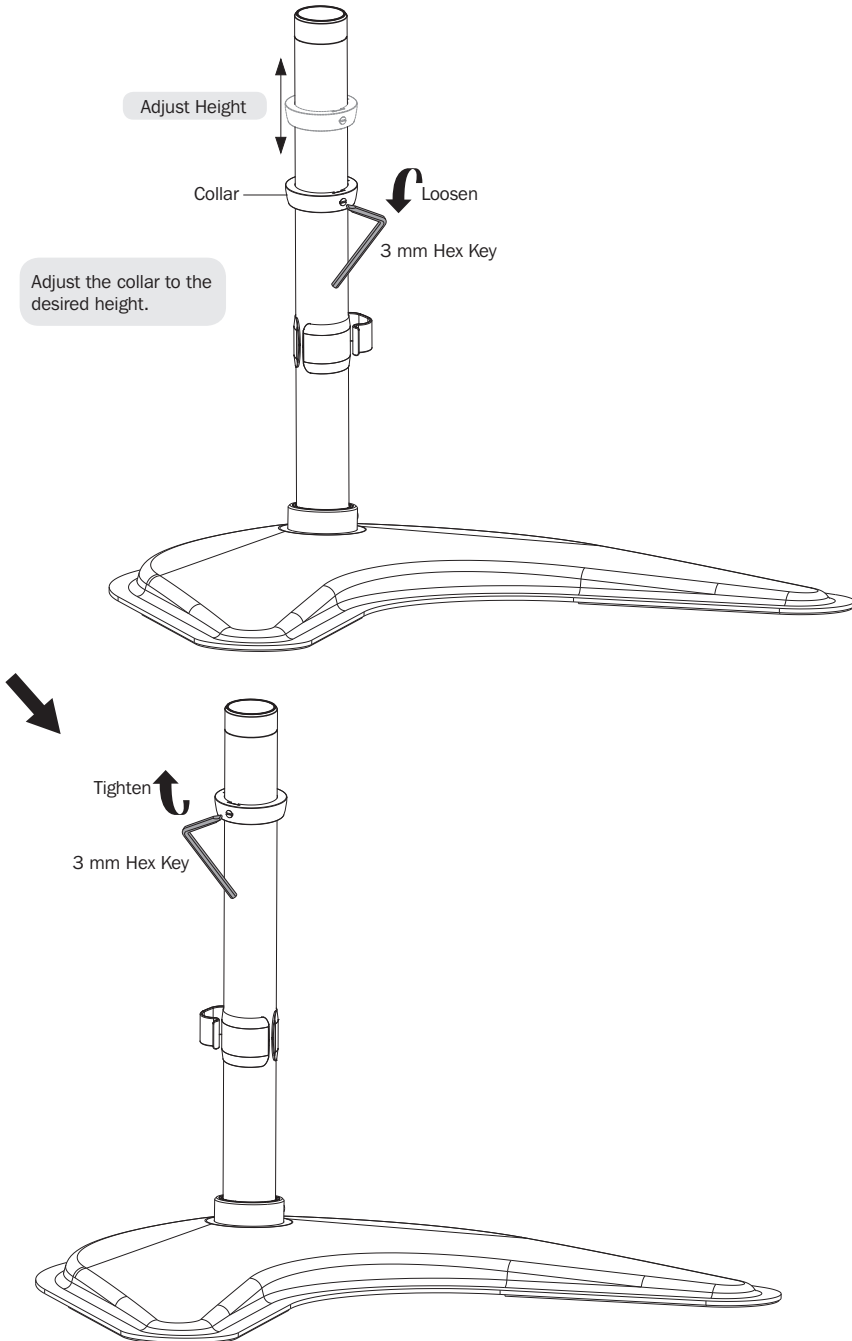


Knob (x2)

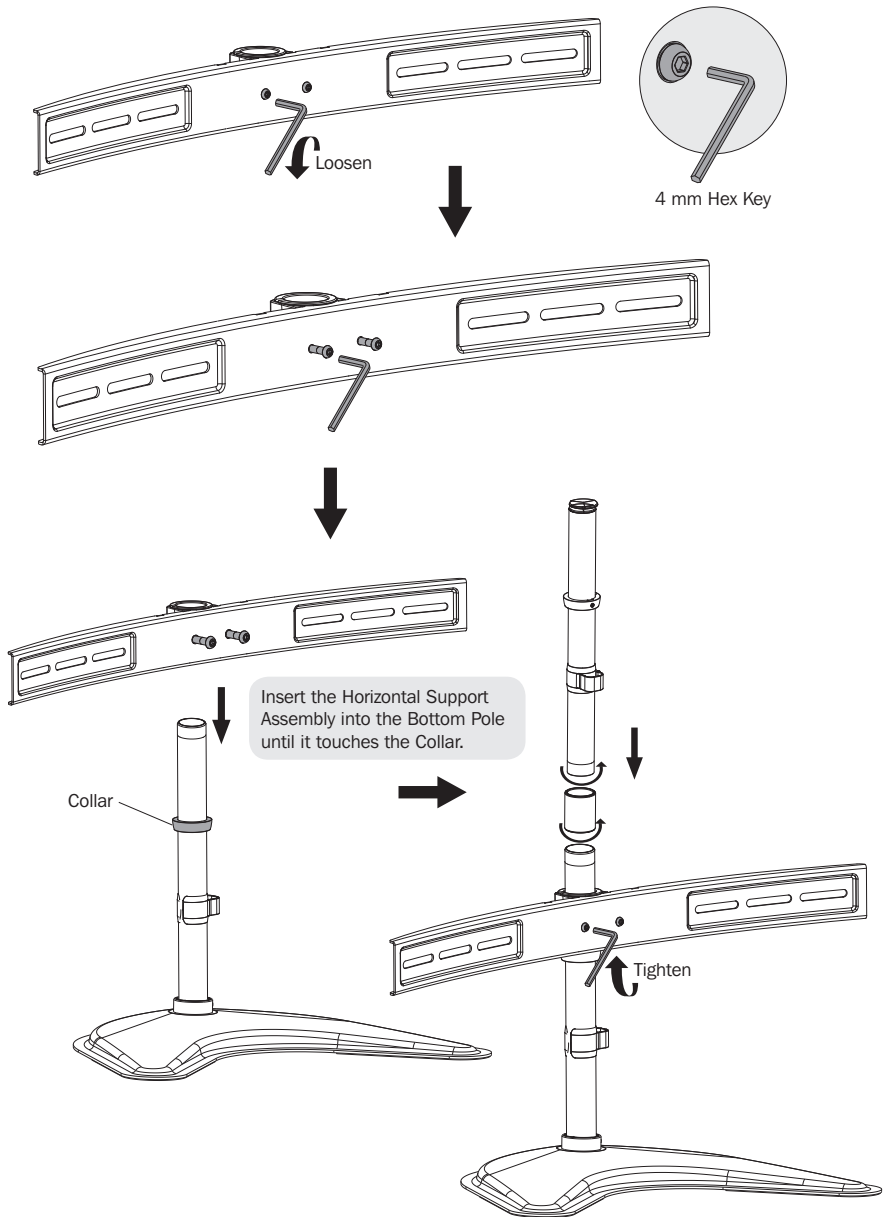
1. Assemble the Pole to the Base



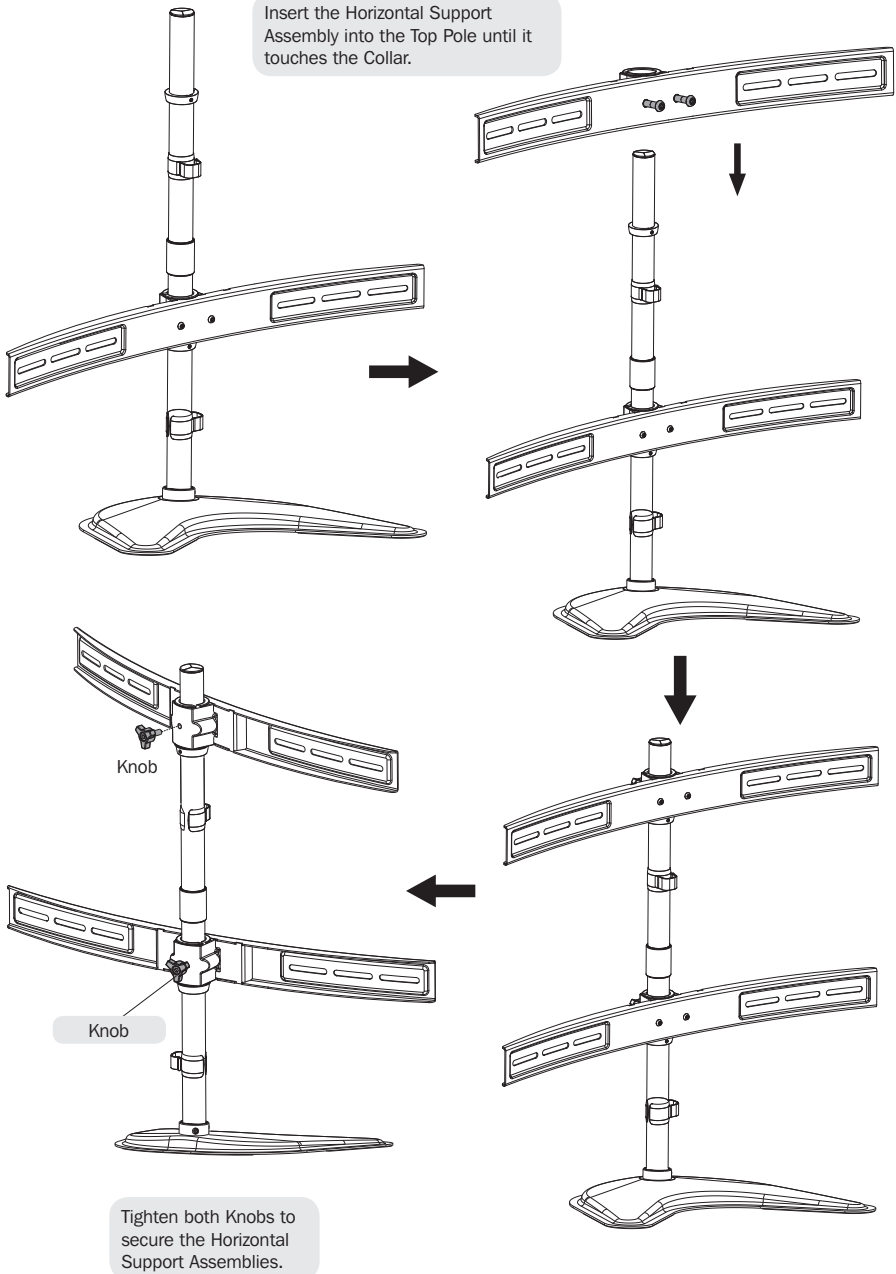
1. Assemble the Pole to the Base



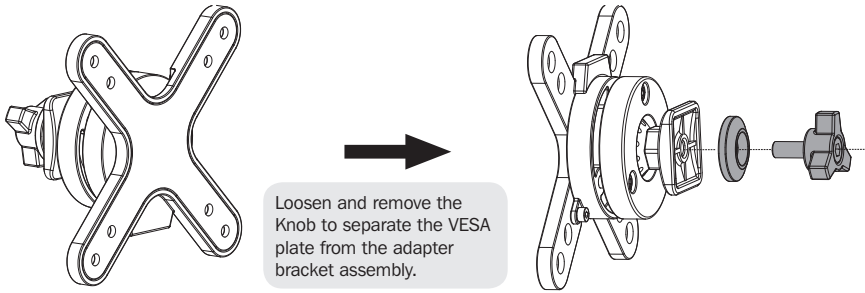
2. Install the Horizontal Support Assembly



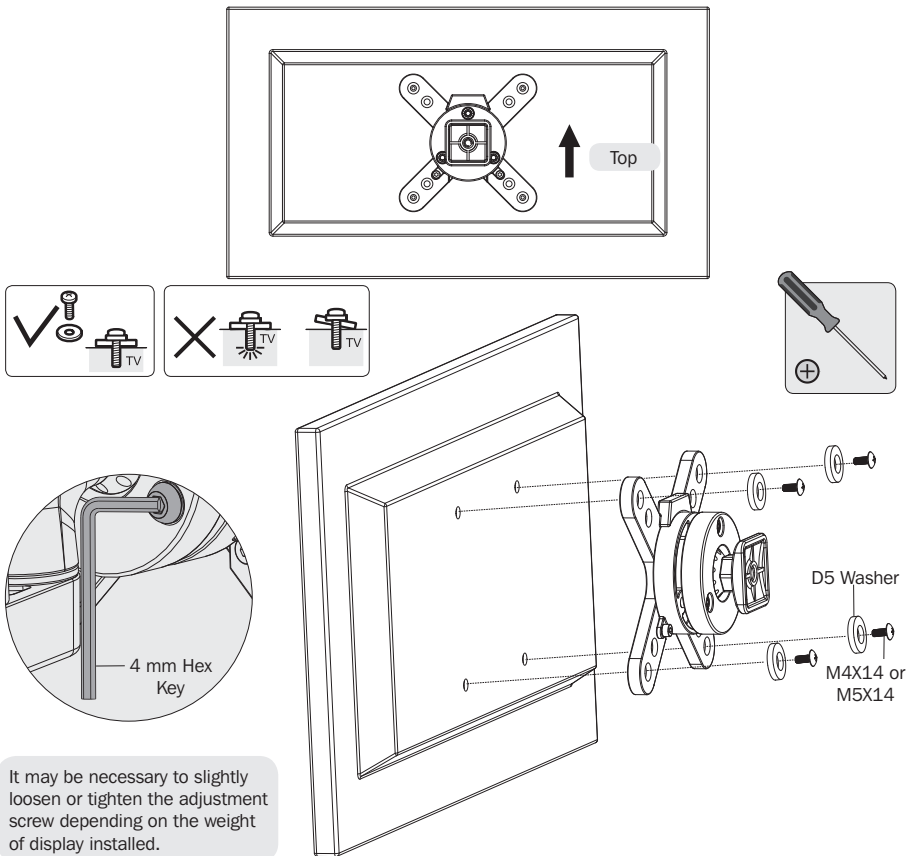
2. Install the Horizontal Support Assembly



3. Separate the Adapter Bracket Assembly

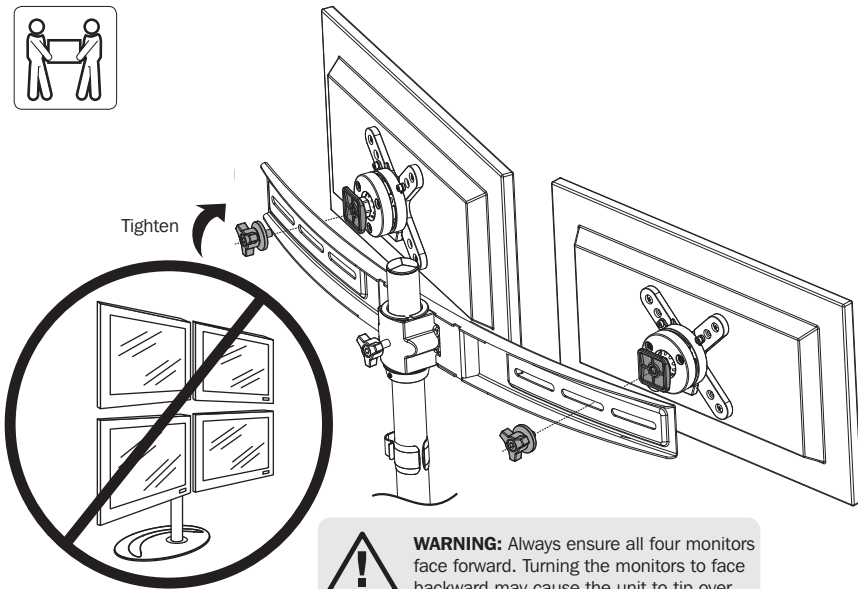


4. Install the VESA Plates



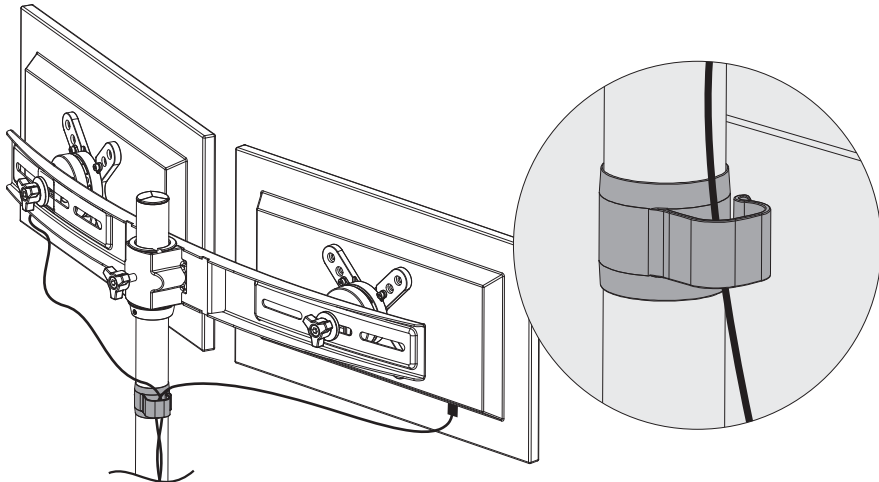
! Attach the display to the VESA plate with the appropriate included screws.
Do not over-tighten screws.

5. Install the Displays



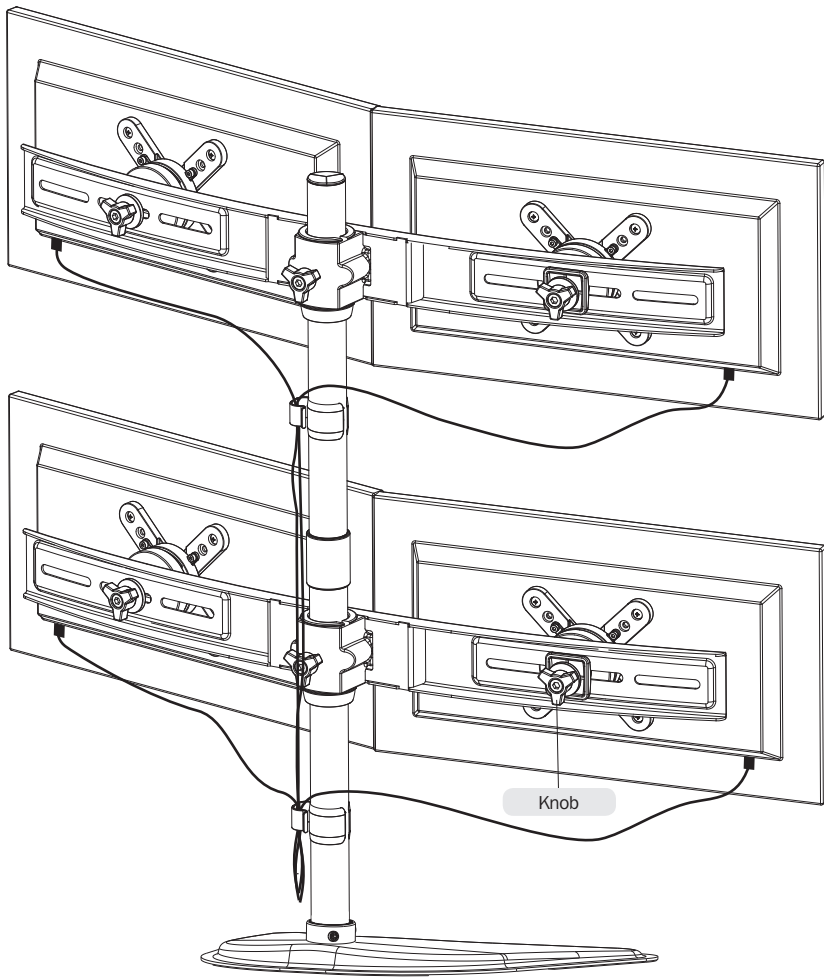
Attach both displays to the Horizontal Support Assembly simultaneously using the Knobs and washers. Tighten both Knobs to secure the displays. Make sure the displays are safely secured before releasing. Repeat step for the second set of displays to the top Horizontal Support Assembly.

6. Cable Management

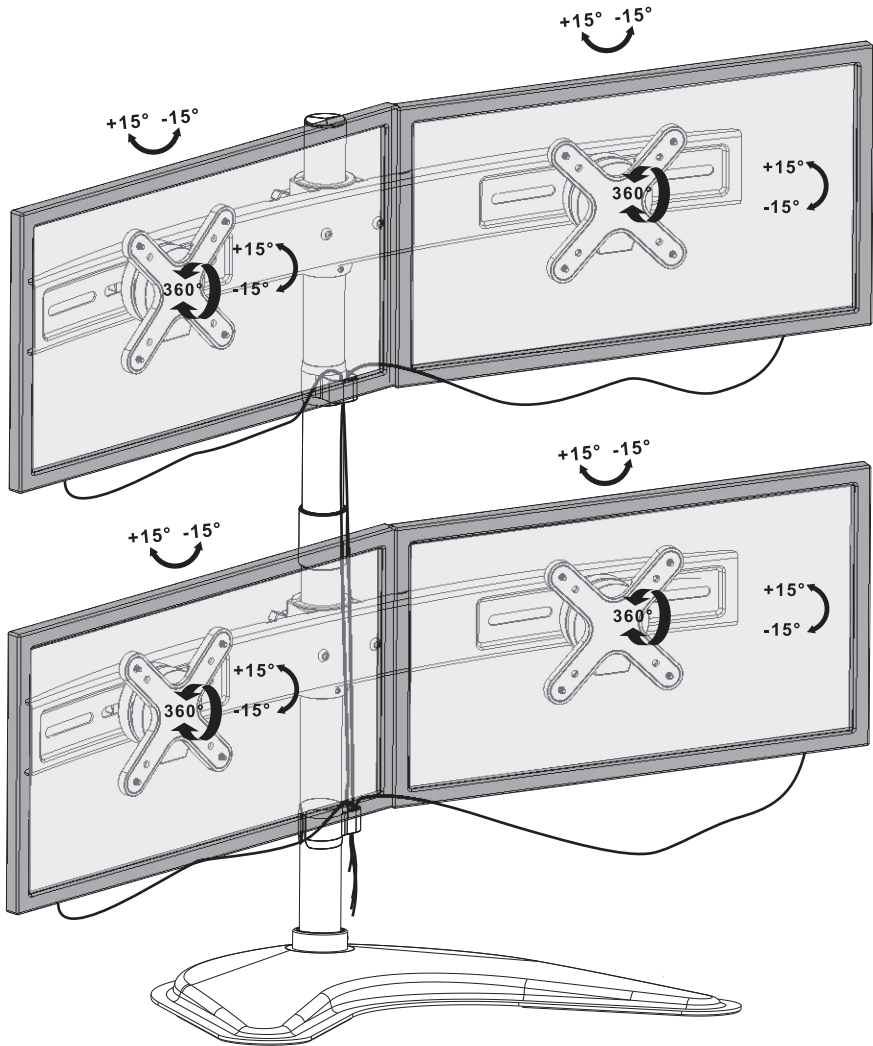


Use the clip for routing the cables.
Note: Leave slack in the cables for arm movement.

7. Adjustment



7. Adjustment



Adjust to the desired position or tilt.

Maintenance

- Check that the bracket is secure and safe to use at regular intervals (at least every three months).
- Please visit www.tripplite.com/support if you have any questions.



1111 W. 35th Street, Chicago, IL 60609 USA • www.tripplite.com/support