

Quick Assembly Guide

SmartRack™ 4-Post Open Frame Racks (SR4POST, SR4POST1224, SR4POST13, SR4POST25)

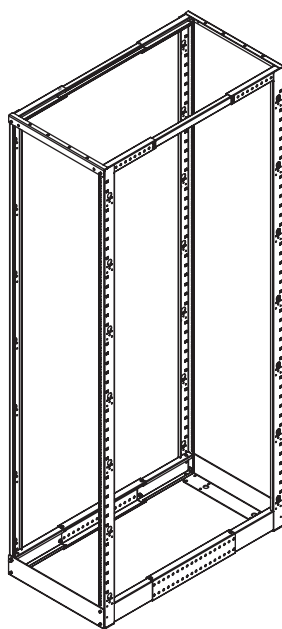
Contents:

Section 1 – Parts Identification

Section 2 – Rack Assembly

Section 3 – Optional Casters

Section 4 – Service & Warranty



SAVE THESE INSTRUCTIONS

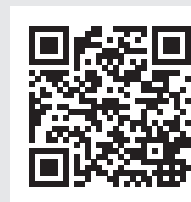
This manual contains important instructions and warnings that must be followed during installation. Failure to comply may affect the warranty.

PROTECT YOUR INVESTMENT!

Register your product for quicker service and ultimate peace of mind.

You could also win an ISOBAR6ULTRA surge protector—a \$100 value!

www.tripplite.com/warranty



TRIPP·LITE

OVER
90
YEARS
Manufacturing
Excellence.

1111 W. 35th Street, Chicago, IL 60609 USA • www.tripplite.com/support

Copyright © 2015 Tripp Lite. All rights reserved. All trademarks are the sole property of their respective owners.

1 – Parts Identification

After opening the shipping box, lay out the parts on a flat surface for identification. If anything is missing or damaged, go to www.tripplite.com/support for assistance.

Note: SR4POST is shown. SR4POST13 & SR4POST25 are shorter (13U & 25U, respectively) and SR4POST1224 uses round/threaded equipment mounting holes instead of square holes. However, the rack assembly process for all 4 models is identical.

Rack Components

- A** “Left” Vertical Rail (2)
- B** “Right” Vertical Rail (2)
- C** Base Bracket (2)
- D** Bottom Corner Section (4)
- E** Bottom Center Section (2)
- F** Top Corner Section (4)
- G** Top Center Section (2)
- H** Top Bracket (2)

Rack Assembly Hardware

- I** M8 Acorn/Cap Nuts (12)
- J** M8 Bolts (16)
- K** M8 Washers (28)
- L** M8 Hex Nuts (4)

Rack Assembly Tool

- M** M8 (13 mm) Wrench

Equipment Mounting Hardware

(SR4POST, SR4POST13, SR4POST25 Only)

- N** M6 Cage Nuts (Qty. varies per model)
- O** PVC Cup Washers (Qty. varies)
- P** M6 Phillips-Head Screws (Qty. varies)

Equipment Mounting Hardware

(SR4POST1224 Only)

- Q** #12-24 Phillips-head Screws (50)
- R** Black PVC Washers (50)
- S** White PVC Washers (50)

Grounding Hardware

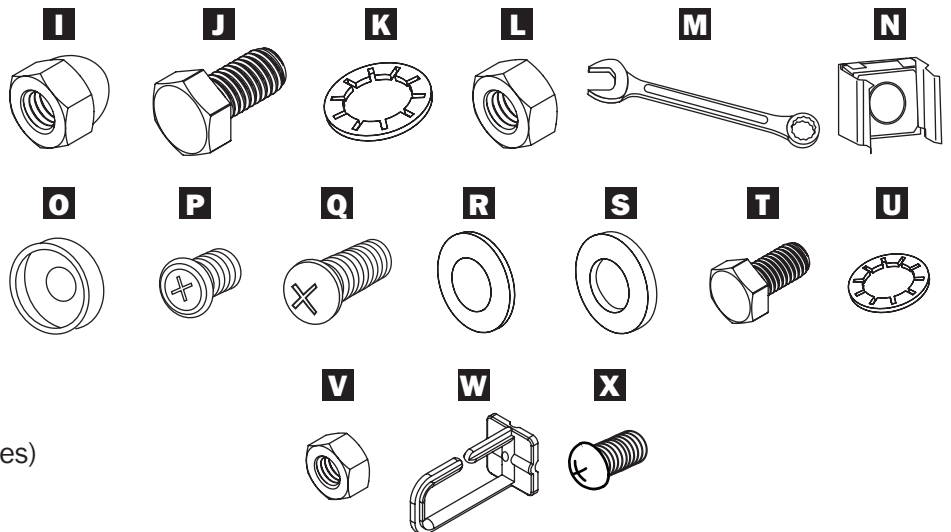
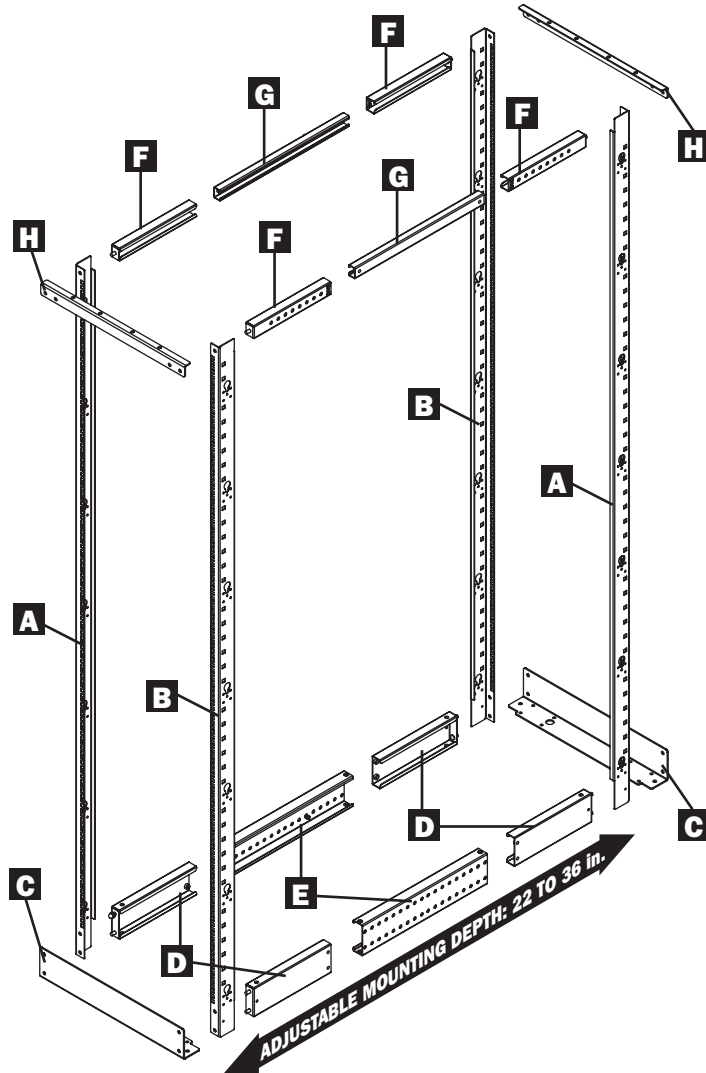
(Optional Installation)

- T** M4 Hex Nuts (2)
- U** M4 Bolts (2)
- V** M4 Washers (2)

Cable Management Hardware

(Optional Installation)

- W** Cable Management Hooks (Qty. varies)
- X** Hook Mounting Screws (Qty. varies)



2 – Rack Assembly



Warning: Install the rack in a controlled, structurally sound, indoor environment with a level floor. Use appropriate caution when moving the rack and consider whether you require assistance. Assemble the rack completely and confirm its stability before attempting to install equipment in the rack.

Note: SR4POST is shown, but the assembly process is identical for SR4POST1224, SR4POST13, & SR4POST25.

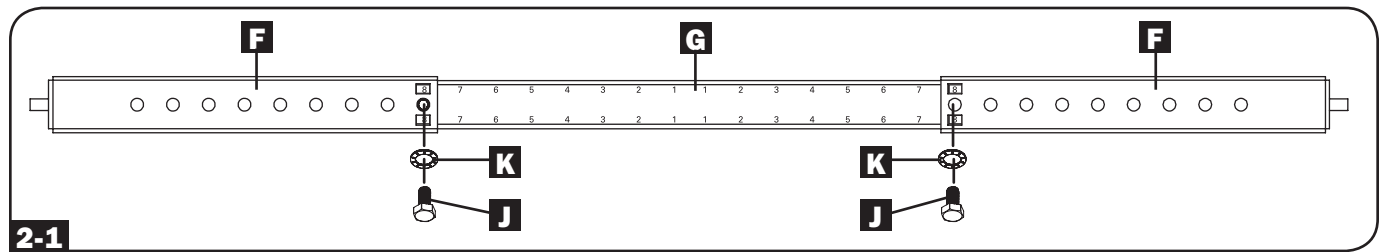
2-1 Assemble a top section by sliding two top corner sections **F** over the ends of a top center section **G**. Align the sections so the index numbers printed on the center section show through the cutouts in the corner sections. The index numbers correspond to the rack's mounting depth, which is adjustable from 22 inches to 36 inches in 1-inch increments. You can set the rack to the required mounting depth by cross-referencing the index numbers with the table at right. When the sections are aligned at the required depth, use an M8 bolt **J** and M8 washer **K** to fasten each section in place. The bolt will pass through the corner section and into threaded holes in the center section. Tighten the bolts approximately 90% with the included wrench – they should be fixed in place, but not completely tightened.

Note: You'll finish tightening all nuts and bolts when the rack is fully assembled.

Repeat the process in **Step 2-1** to assemble the other top section. Make sure the depths match by using the same pair of index numbers. Lay the assembled sections side by side to confirm that they're the same length.

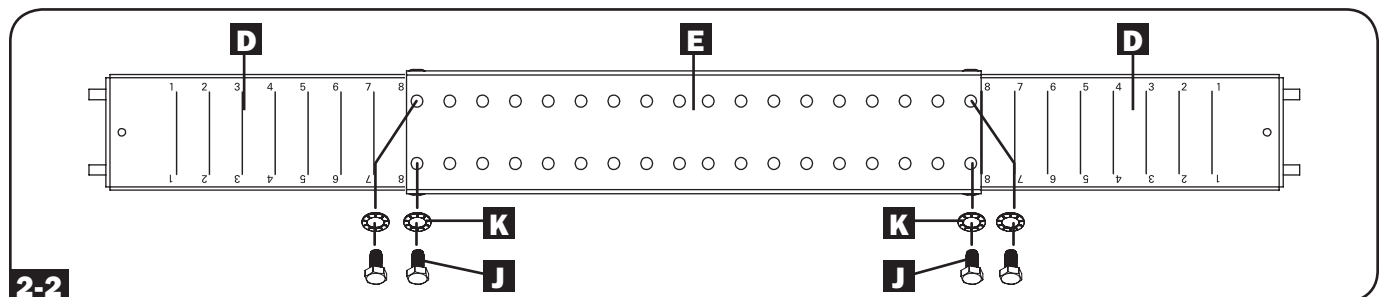
Rack Depth Index

Mounting Depth	Index Numbers
36 in.	8 and 8
35 in.	7 and 8
34 in.	7 and 7
33 in.	6 and 7
32 in.	6 and 6
31 in.	5 and 6
30 in.	5 and 5
29 in.	4 and 5
28 in.	4 and 4
27 in.	3 and 4
26 in.	3 and 3
25 in.	2 and 3
24 in.	2 and 2
23 in.	1 and 2
22 in.	1 and 1



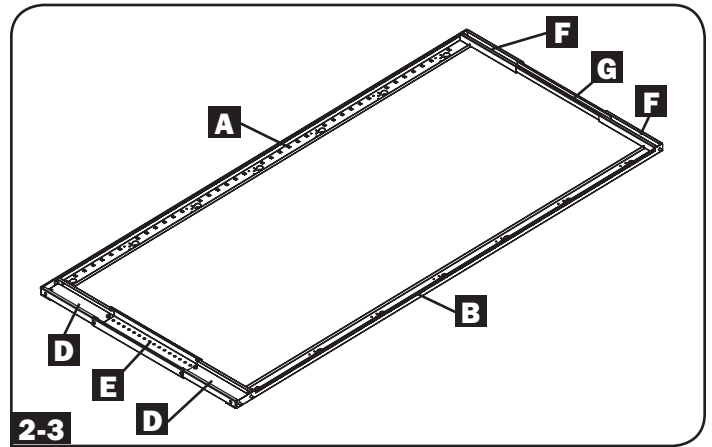
2-2 Assemble a bottom section by sliding two bottom corner sections **D** inside the ends of a bottom center section **E**. The index numbers printed on the corner sections correspond to the rack's mounting depth. Align the sections so the index numbers match the numbers you used for the top sections. When the sections are aligned at the correct depth, use two M8 bolts **J** and M8 washers **K** to fasten each section in place. The bolts will pass through the center section and into threaded holes in the corner sections. Tighten the bolts approximately 90% with the included wrench.

Repeat the process in **Step 2-2** to assemble the other bottom section. Lay the assembled top and bottom sections side by side to confirm that all sections are the same length.

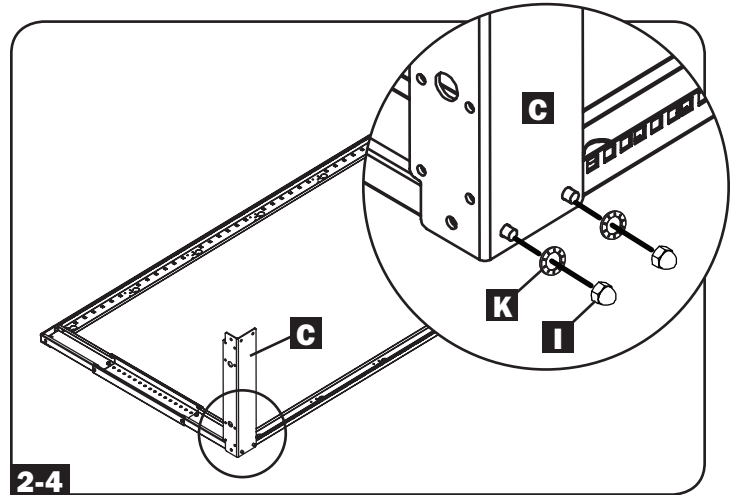


2 – Rack Assembly continued

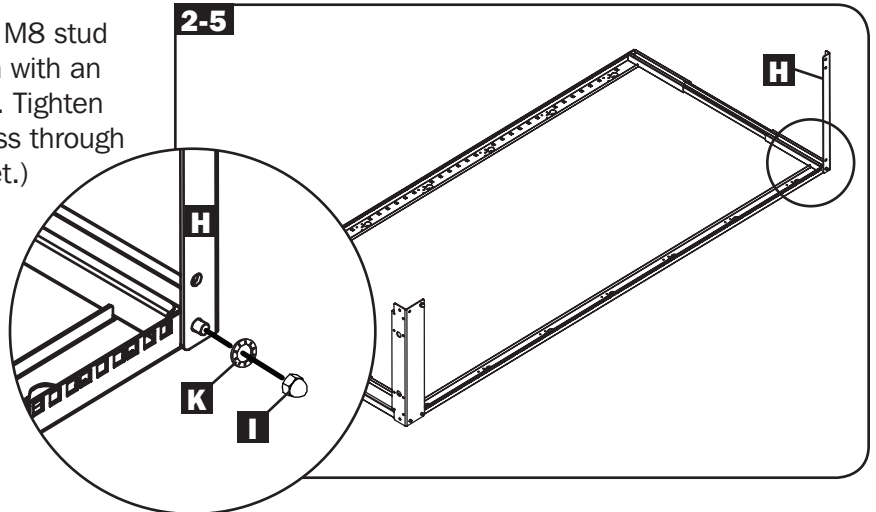
- 2-3** Lay out a left vertical rail **A**, right vertical rail **B**, assembled top section **F/G/F** and assembled bottom section **D/E/D** in a rectangle on the floor or a stable work surface. Place all the pieces facedown. The assembled top and bottom sections are facedown when the inserted bolt heads are faceddown. The vertical rails are faceddown when the rails are laying flat on the side that has keyhole mounting slots. Insert the threaded M8 studs at the ends of the top and bottom sections through the corresponding holes in the vertical rails, but do not fasten yet.



- 2-4** Fasten a base bracket **C** to the threaded M8 studs at the end of the assembled bottom section with two M8 acorn/cap nuts **I** and M8 washers **K**. Tighten 90%. (The threaded M8 studs should pass through the vertical rail first, then the base bracket.)

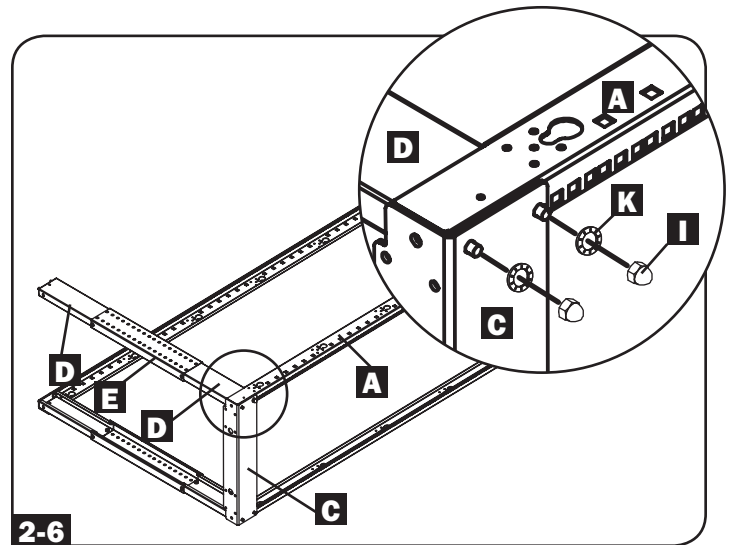


- 2-5** Fasten a top bracket **H** to the threaded M8 stud at the end of the assembled top section with an M8 acorn/cap nut **I** and M8 washer **K**. Tighten 90%. (The threaded M8 stud should pass through the vertical rail first, then the top bracket.)

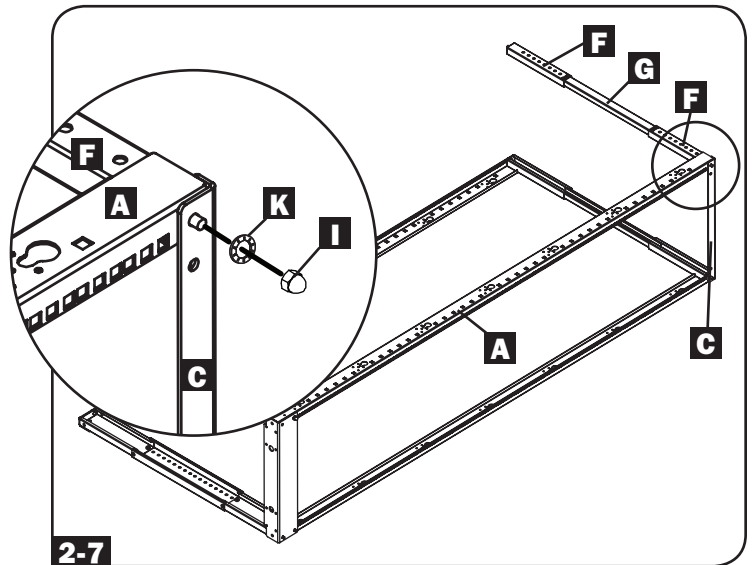


2 – Rack Assembly continued

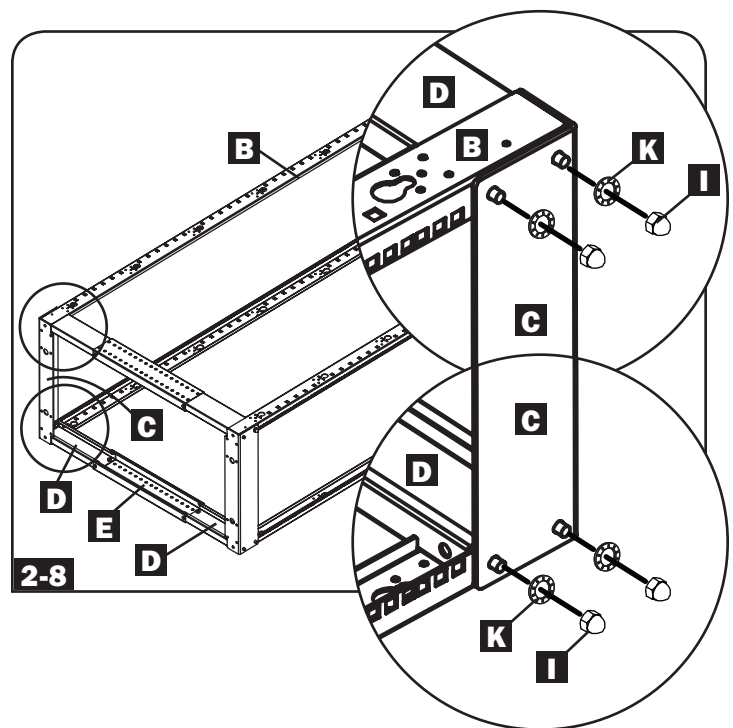
- 2-6** Fasten a left vertical rail **A** and assembled bottom section **D/E/D** to the base bracket **C** with two M8 acorn/cap nuts **I** and M8 washers **K**. Tighten 90%. (The threaded M8 studs at the end of the assembled bottom section should pass through the vertical rail first, then the base bracket.)



- 2-7** Fasten an assembled top section **F/G/F** to the top bracket **C** and left vertical rail **A** with an M8 acorn/cap nut **I** and M8 washer **K**. Tighten 90%. (The threaded M8 stud at the end of the assembled top section should pass through the vertical rail first, then the top bracket.)

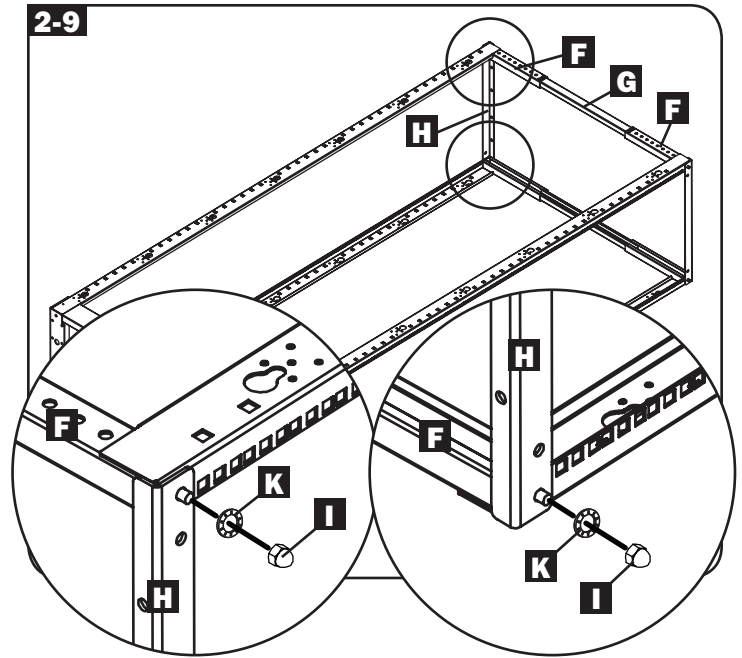


- 2-8** Fasten a base bracket **C** and right vertical rail **B** to the threaded M8 studs at the end of the assembled bottom section **D/E/D** with two M8 acorn/cap nuts **I** and M8 washers **K**. Also fasten the base bracket to the threaded M8 studs at the end of the other assembled bottom section with two M8 acorn/cap nuts **I** and M8 washers **K**. Tighten 90%. (The threaded M8 studs should pass through the vertical rails first, then the base bracket.)



2 – Rack Assembly continued

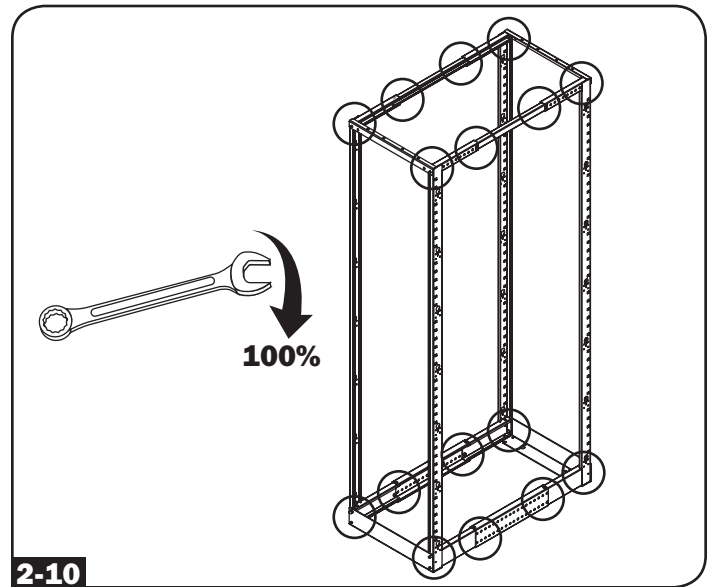
- 2-9** Fasten a top bracket **H** to the threaded M8 stud at the end of the assembled top section **F/G/F** with an M8 acorn/cap nut **I** and M8 washer **K**. Also fasten the base bracket to the threaded M8 stud at the end of the other assembled bottom section with an M8 acorn/cap nut **I** and M8 washer **K**. Tighten 90%. (The threaded M8 studs should pass through the vertical rails first, then the top bracket.)



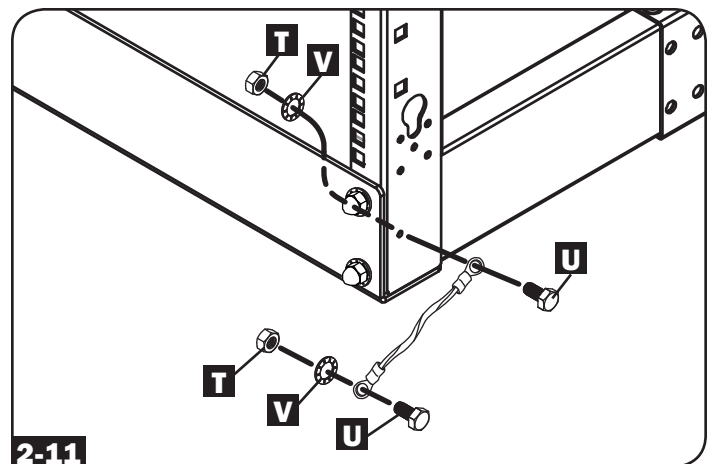
- 2-10** Place the rack upright on a level surface and confirm that the rack is stable. Tighten all nuts and bolts until fully secure. (If you are installing optional casters, follow the instructions in **Section 3**, then return to this step.)

Mount your equipment in the rack by following the mounting instructions in the manufacturer's documentation.

Note: If you require additional stability, order Tripp Lite's Bolt-Down Kit (model SRBOLTDOWN, sold separately) to fasten the rack to the floor. SRBOLTDOWN is not compatible with casters.

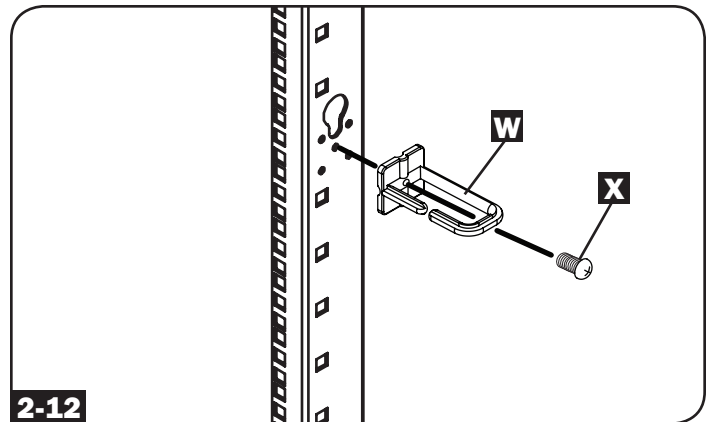


- 2-11 (Optional Ground Connection)** Use the included M4 nuts **T**, bolts **U** and washers **V** to fasten a user-supplied ground wire to the rack and to your facility's ground connection. There is a ground connection hole at each lower corner of the rack.



2 – Rack Assembly continued

- 2-12** (Optional Cable Management Hooks) Fasten the included cable management hooks **W** to the vertical rack rails with the included screws **X**.

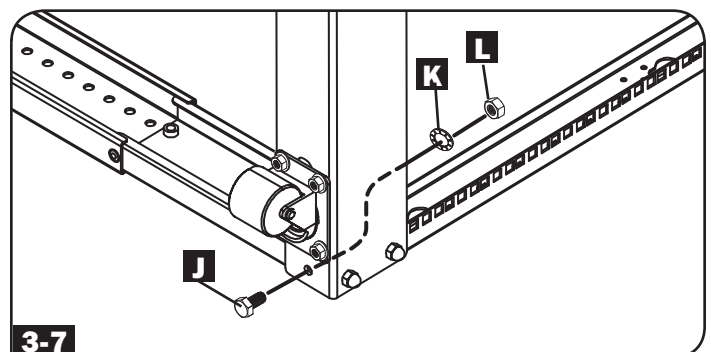
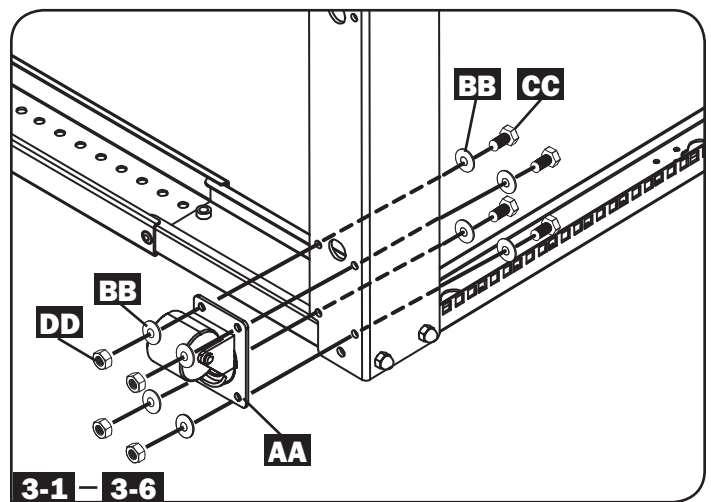


3 – Optional Casters

Warning: Do not attempt to install casters while equipment is installed in the rack.

Note: Caster installation requires Tripp Lite's Heavy-Duty Rolling Caster Kit (model SRCASTER, sold separately). The kit includes four casters and the M6 hardware required to mount the casters to the bottom of the rack.

- 3-1** Place the empty rack on its side.
- 3-2** Place a caster **AA** at one of the bottom outside corners of the rack and line up the holes in the caster with the holes in the rack.
- 3-3** Place an M6 washer **BB** over an M6 bolt **CC** and insert the bolt through one of the caster mounting holes in the bottom inside corner of the rack and then through the corresponding mounting hole in the base of the caster.
- 3-4** Place an M6 washer **BB** and an M6 nut **DD** over the end of the M6 bolt **CC**, then tighten 90%.
- 3-5** Repeat **Step 3-3** and **Step 3-4** until all four bolts are in place, then tighten all the nuts and bolts until the caster is secure.
- 3-6** Repeat **Steps 3-2 through 3-5** until all four casters are mounted securely.
- 3-7** Insert an M8 bolt **J** into the hole in each bottom corner, fasten with an M8 washer **K** and M8 hex nut **L** and tighten securely. (The M8 hardware is included with the rack.)
- 3-8** Place the rack upright on a level surface and confirm that the rack is stable. If you haven't already completed **Step 2-10**, complete it now.



4 – Service, Warranty & Product Registration

Service

Your Tripp Lite product is covered by the warranty described in this manual. A variety of Extended Warranty and On-Site Service Programs are also available from Tripp Lite. For more information on service, visit www.tripplite.com/support. Before returning your product for service, follow these steps:

1. Review the installation and operation procedures in this manual to insure that the service problem does not originate from a misreading of the instructions.
2. If the problem continues, do not contact or return the product to the dealer. Instead, visit www.tripplite.com/support.
3. If the problem requires service, visit www.tripplite.com/support and click the Product Returns link. From here you can request a Returned Material Authorization (RMA) number, which is required for service. This simple on-line form will ask for your unit's model and serial numbers, along with other general purchaser information. The RMA number, along with shipping instructions will be emailed to you. Any damages (direct, indirect, special or consequential) to the product incurred during shipment to Tripp Lite or an authorized Tripp Lite service center is not covered under warranty. Products shipped to Tripp Lite or an authorized Tripp Lite service center must have transportation charges prepaid. Mark the RMA number on the outside of the package. If the product is within its warranty period, enclose a copy of your sales receipt. Return the product for service using an insured carrier to the address given to you when you request the RMA.

5-Year Limited Warranty

Seller warrants this product, if used in accordance with all applicable instructions, to be free from original defects in material and workmanship for a period of 5 years from the date of initial purchase. If the product should prove defective in material or workmanship within that period, Seller will repair or replace the product, in its sole discretion.

THIS WARRANTY DOES NOT APPLY TO NORMAL WEAR OR TO DAMAGE RESULTING FROM ACCIDENT, MISUSE, ABUSE OR NEGLIGENCE. SELLER MAKES NO EXPRESS WARRANTIES OTHER THAN THE WARRANTY EXPRESSLY SET FORTH HEREIN. EXCEPT TO THE EXTENT PROHIBITED BY APPLICABLE LAW, ALL IMPLIED WARRANTIES, INCLUDING ALL WARRANTIES OF MERCHANTABILITY OR FITNESS, ARE LIMITED IN DURATION TO THE WARRANTY PERIOD SET FORTH ABOVE; AND THIS WARRANTY EXPRESSLY EXCLUDES ALL INCIDENTAL AND CONSEQUENTIAL DAMAGES. (Some states do not allow limitations on how long an implied warranty lasts, and some states do not allow the exclusion or limitation of incidental or consequential damages, so the above limitations or exclusions may not apply to you. This warranty gives you specific legal rights, and you may have other rights which vary from jurisdiction to jurisdiction).

WARNING: The individual user should take care to determine prior to use whether this device is suitable, adequate or safe for the use intended. Since individual applications are subject to great variation, the manufacturer makes no representation or warranty as to the suitability or fitness of these devices for any specific application.

Use of this equipment in life support applications where failure of this equipment can reasonably be expected to cause the failure of the life support equipment or to significantly affect its safety or effectiveness is not recommended. Do not use this equipment in the presence of a flammable anesthetic mixture with air, oxygen or nitrous oxide.

Product Registration

Visit www.tripplite.com/warranty today to register your new Tripp Lite product. You'll be automatically entered into a drawing for a chance to win a FREE Tripp Lite product!*

* No purchase necessary. Void where prohibited. Some restrictions apply. See www.tripplite.com for details.

Regulatory Compliance Identification Numbers

For the purpose of regulatory compliance certifications and identification, your Tripp Lite product has been assigned a unique series number. The series number can be found on the product nameplate label, along with all required approval markings and information. When requesting compliance information for this product, always refer to the series number. The series number should not be confused with the marketing name or model number of the product.

Tripp Lite has a policy of continuous improvement. Specifications are subject to change without notice.

