

Zero U Vertical PDU Mounting Bracket Kit in SmartRack™ Configurations

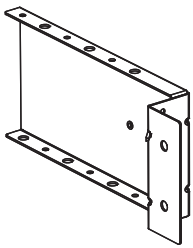
(Model: PDUSIDEBRKT)



1111 W. 35th Street, Chicago, IL 60609 USA
www.tripplite.com/support

- **Method 1:** Mounting Buttons Snap into Button Holes in Toolless Mounting Rails (Toolless Mounting Option)
- **Method 2:** Direct Attachment to Mounting Rails with Screws (Hardware Option)

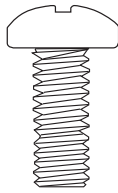
Parts List



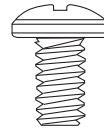
Bracket
(x2)



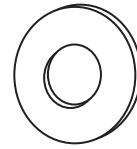
Mounting Button
(x2)



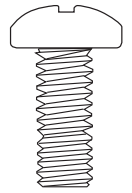
4 mm Screws
(x2)



#6-32 Screws
(x4)



M6 Washers
(x4)



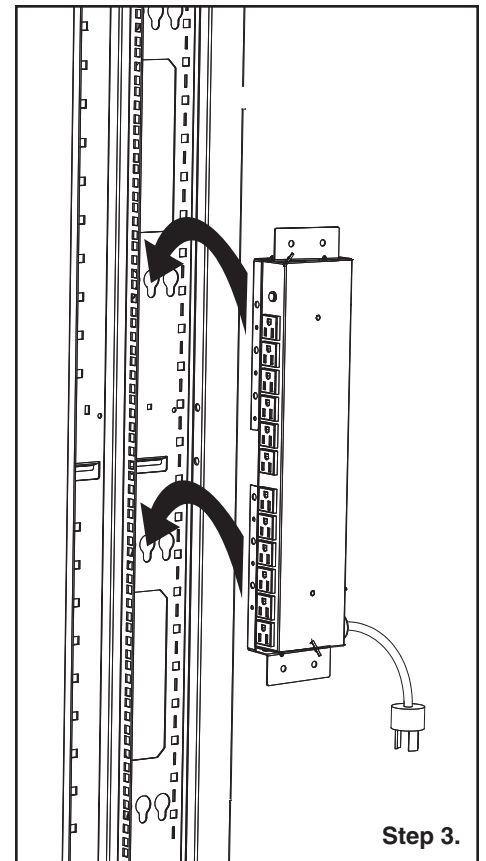
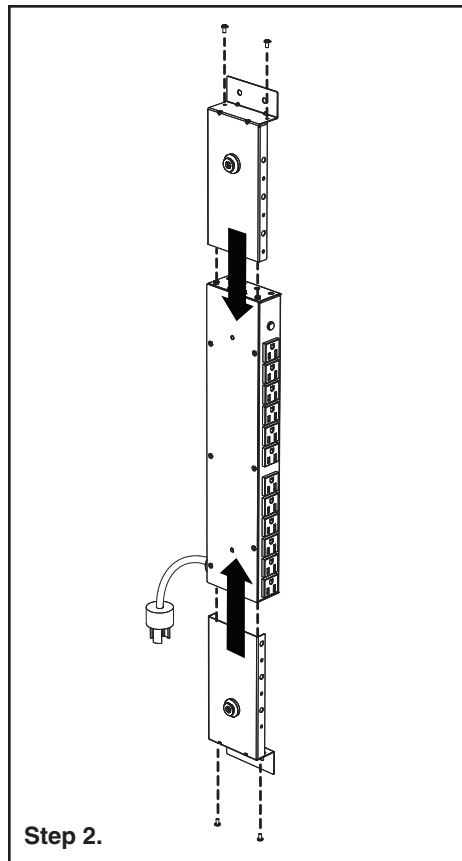
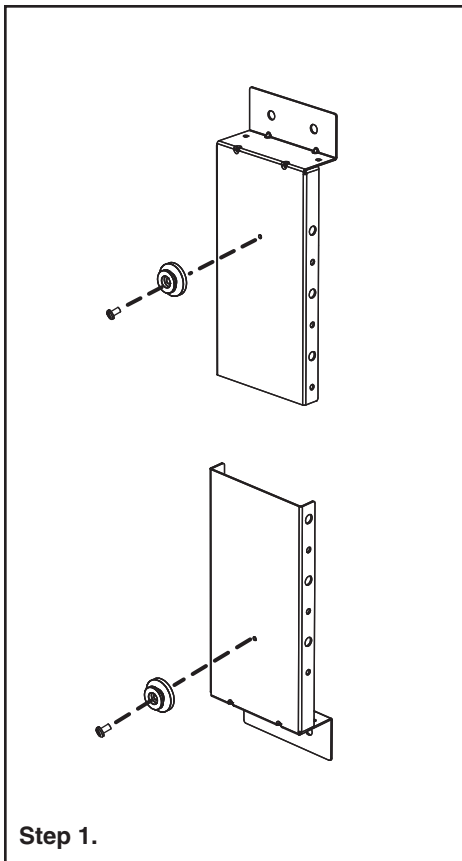
6 mm Screws
(x4)

Method 1

Step 1. Attach the two mounting buttons to the outside of the brackets using the included 4 mm screws.

Step 2. Attach the two brackets to the PDU using the four included #6-32 screws.

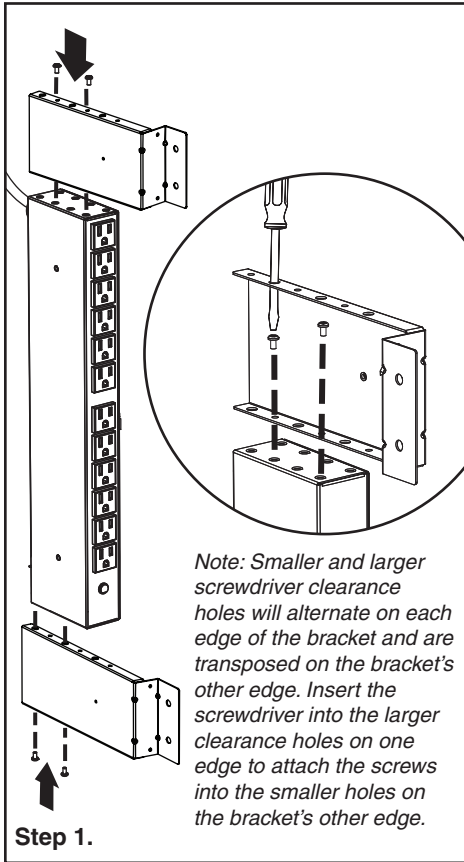
Step 3. To mount the PDU, simply insert the mounting buttons into the mounting rails inside the rack enclosure. Snap down into place until the PDU is secure in the rack.



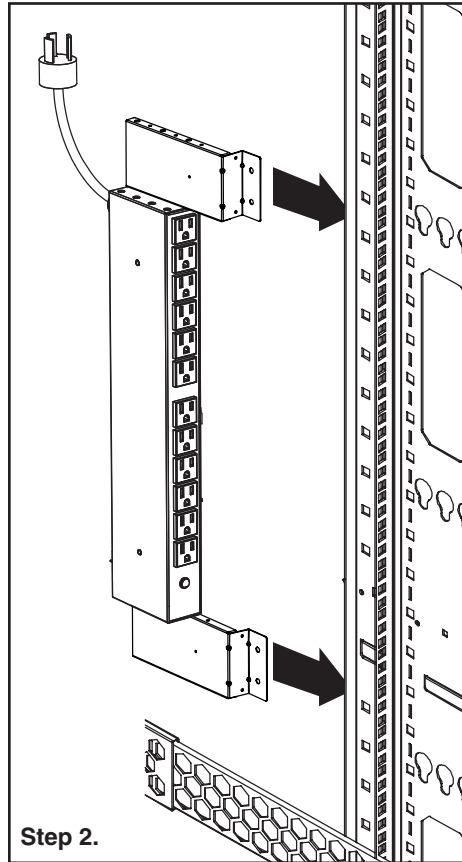
Method 2

Note: PDUSIDEBRKT must be installed before equipment is installed in the rack.

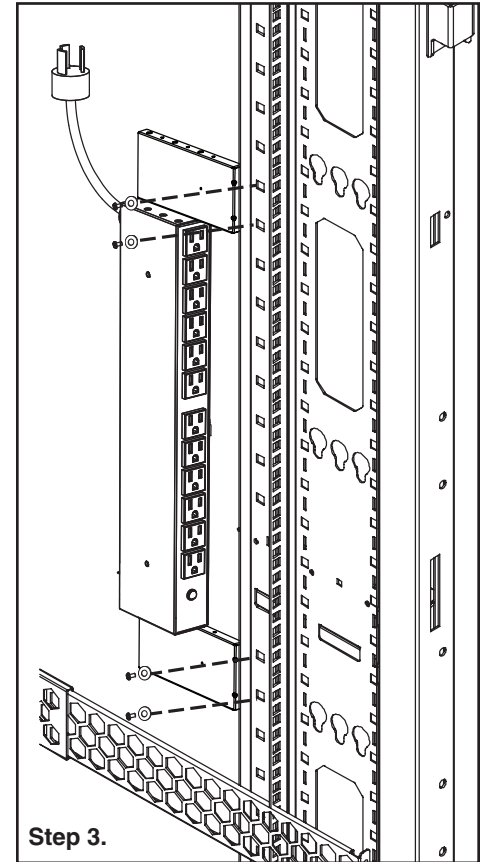
Step 1. Attach the two mounting brackets to both ends of the PDU using the four included #6-32 screws.



Step 2. Slide the brackets' flanges behind the outer portion of the mounting rail as seen in the diagram.



Step 3. Attach the brackets to the rack's mounting rails using the four included 6 mm screws and M6 washers.



1111 W. 35th Street, Chicago, IL 60609 USA
www.tripplite.com/support