

**WARRANTY  
REGISTRATION:**  
register online today for a  
chance to win a FREE Tripp Lite  
product—[www.tripplite.com/warranty](http://www.tripplite.com/warranty)



# Owner's Manual

**High Definition  
(HD) Compatible!**

## **isobar®** Digital Flat Panel Power Conditioning Center



**Safety** 2

**Features** 2

**Installation** 3

**Lifetime Limited Warranty** 4

**Ultimate Lifetime Insurance** 4

**Español** 5

**Français** 9



1111 W. 35th Street, Chicago, IL 60609 USA  
773.869.1234 (USA) • 773.869.1212 (International)  
[www.tripplite.com](http://www.tripplite.com)

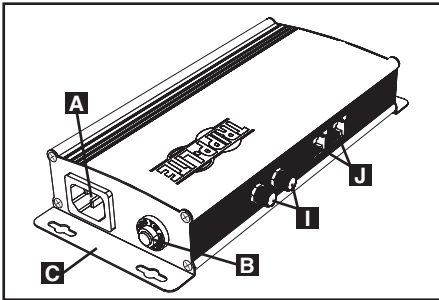


## IMPORTANT SAFETY INSTRUCTIONS. SAVE THESE INSTRUCTIONS.

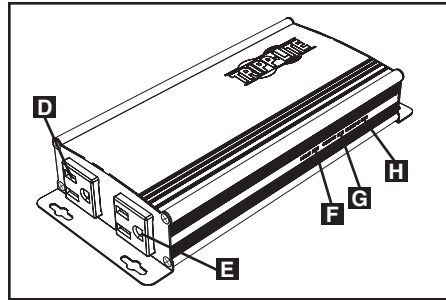
This manual contains instructions and warnings that should be followed during the installation and operation of all Tripp Lite Power Centers. Failure to heed these warnings will void your warranty.

- The Power Center features an internal protection that will disconnect the surge-protective component at the end of its useful life but will maintain power to the load—now unprotected.
- Do not connect the Power Center to an ungrounded outlet. Do not use with 2-wire extension cords or adapters. Do not plug extension cords into the Power Center.
- The Power Center is designed for indoor use only. Install the Power Center away from heat-emitting appliances such as radiators or heat registers. Do not install where excessive moisture is present.
- Never install electrical wiring during a lightning storm.
- Do not drill into any part of the housing or open the housing for any reason. There are no user-serviceable parts inside.
- Use of this equipment in life support applications where failure of this equipment can reasonably be expected to cause the failure of the life support equipment or to significantly affect its safety or effectiveness is not recommended. Do not use this equipment in the presence of a flammable anesthetic mixture with air, oxygen or nitrous oxide.

## Features



*Circuit Breaker, Cord and Back Panels*



*Outlet Panel*

### Circuit Breaker & Cord Panel

- A Detachable Power Cord with Right-Angle Plug:** connects the Power Center to a standard 3-wire grounded 120V AC 60Hz wall outlet. Detachable cord simplifies installation; right-angle plug permits equipment and furniture to be placed flush against a wall.
- B Circuit Breaker:** protects against dangerous system overload. If the total load on the Power Center's outlets exceeds 12 amps, the circuit breaker will trip and power will be turned off at the outlets. Reduce the load by unplugging some devices. Depress the circuit breaker to restore power.
- C Mounting Flange:** allows for secure mounting (with user-supplied screws) on any suitable surface, including on a wall behind a flat panel TV screen. The user must determine the fitness of the mounting surface and the user-supplied screws prior to installation.

### Outlet Panel

- D "HDTV" Outlet:** protects any flat panel TV (plasma, LCD or HDTV) against surge damage and line noise distortion on the AC line. Turn power on and off at this outlet with the Power Switch.
- E "ACCESSORY" Outlet:** protects any accessory (receiver, player, etc.) against surge damage and line noise distortion on the AC line. Turn power on and off at this outlet with the Power Switch.
- F "LINE OK" LED:** indicates that nominal AC power is present with no wiring faults detected. When this LED is illuminated, AC power is safe for connected equipment.

## Features *(continued)*

- G** **“SURGE OK” LED:** indicates the surge-suppression components are intact and providing full protection. If this LED is not illuminated, make sure the Power Center is plugged in, the Power Switch is turned on and power is present. If the LED is still not illuminated, then some of the surge suppression components may not be functioning properly. Contact Tripp Lite Customer Support for assistance. You may still use the Power Center; however, connected equipment will be protected from surges at a lesser level than normal.
- H** **“GROUND OK” LED:** indicates the presence of a properly-grounded wall outlet. Note: A properly-grounded wall outlet is required for the Power Center to adequately protect connected equipment against surge damage. If this LED is not illuminated, make sure the Power Center is plugged in, the Power Switch is turned on and power is present. If the LED is still not illuminated, contact a qualified electrician to check for proper grounding.

## Back Panel

- I** **HD Bi-Directional Coaxial Input/Output Jacks:** protects Satellite, Cable, HDTV Master antennas against any damaging surges or spikes from coming through the coax lines.
- J** **RJ45 Network/Ethernet Protection Jacks:** covers all 8 pins for matrix switchers using cat5 and network inputs.

## Not Shown

**Audible Alarm:** immediately alerts you to damaged internal protection circuitry. If this occurs, contact Tripp Lite Customer Support.

## Installation

**STEP 1) Place or Mount Your Power Center:** Place the Power Center on a shelf or use mounting flanges to securely mount the Power Center (with user-supplied screws) on any suitable surface, including on a wall behind a flat panel TV screen. The user must determine the fitness of the mounting surface and the user-supplied screws prior to installation. Note: If possible, mount the Power Center so that its LEDs are visible.

**STEP 2) Connect Your Power Center to the AC Power Line:** Attach the power cord to the Power Center, then plug it in to a standard 3-wire grounded 120V AC 60Hz wall outlet, this will power-on the unit.

**STEP 3) Check Your Power Center's Diagnostic Indicator Lights:** Check the LEDs prior to connecting your equipment. They will indicate various operating conditions when the Power Center is plugged into a live 120V AC outlet.

**STEP 4) Connect Your Equipment to the Power Center's AC Outlets:** Plug your flat panel TV and accessory (if used) into the appropriately marked Power Center outlets. **DO NOT** plug in extension cords. **DO NOT OVERLOAD** the Power Center's outlets. The Power Center can accommodate a total equipment load of up to 12 amps. If the load on the Power Center exceeds 12 amps, the circuit breaker will trip and the outlets will stop providing power. If the circuit breaker trips, reduce the load by unplugging some devices. Depress the circuit breaker to restore power.

## Lifetime Limited Warranty

Seller warrants this product, if used in accordance with all applicable instructions, to be free from original defects in material and workmanship for its lifetime. If the product should prove defective in material or workmanship within that period, Seller will repair or replace the product, in its sole discretion. Service under this Warranty can only be obtained by your delivering or shipping the product (with all shipping or delivery charges prepaid) to: Tripp Lite, 1111 W. 35th St., Chicago, IL 60609. Seller will pay return shipping charges. The warranties of all TRIPP LITE power centers are null and void if they have been connected to the output of any UPS system. The warranties of all TRIPP LITE UPS Systems are null and void if a power center has been connected to its output receptacles.

THIS WARRANTY DOES NOT APPLY TO NORMAL WEAR OR TO DAMAGE RESULTING FROM ACCIDENT, MISUSE, ABUSE OR NEGLIGENCE. SELLER MAKES NO EXPRESS WARRANTIES OTHER THAN THE WARRANTY EXPRESSLY SET FORTH HEREIN. EXCEPT TO THE EXTENT PROHIBITED BY APPLICABLE LAW, ALL IMPLIED WARRANTIES, INCLUDING ALL WARRANTIES OF MERCHANTABILITY OR FITNESS, ARE LIMITED IN DURATION TO THE WARRANTY PERIOD SET FORTH ABOVE; AND THIS WARRANTY EXPRESSLY EXCLUDES ALL INCIDENTAL AND CONSEQUENTIAL DAMAGES. (Some states do not allow limitations on how long an implied warranty lasts, and some states do not allow the exclusion or limitation of incidental or consequential damages, so the above limitations or exclusions may not apply to you. This Warranty gives you specific legal rights, and you may have other rights which vary from jurisdiction to jurisdiction.) TRIPP LITE; 1111 35th St.; Chicago, IL 60609

WARNING: The individual user should take care to determine prior to use whether this device is suitable, adequate or safe for the use intended. Since individual applications are subject to great variation, the manufacturer makes no representation or warranty as to the suitability or fitness of these devices for any specific application.

### WARRANTY REGISTRATION

Visit [www.triplite.com/warranty](http://www.triplite.com/warranty) today to register the warranty for your new Tripp Lite product. You'll be automatically entered into a drawing for a chance to win a FREE Tripp Lite product!

\* No purchase necessary. Void where prohibited. Some restrictions apply. See website for details.

### Regulatory Compliance Identification Numbers

For the purpose of regulatory compliance certifications and identification, your Tripp Lite product has been assigned a unique series number. The series number can be found on the product nameplate label, along with all required approval markings and information. When requesting compliance information for this product, always refer to the series number. The series number should not be confused with the marking name or model number of the product.

Tripp Lite has a policy of continuous improvement. Product specifications are subject to change without notice.

Made in China.

## Ultimate Lifetime Insurance Policy

(This is a limited warranty valid in the U.S. and Canada only.)

Tripp Lite warrants, for the lifetime of the product, (at Tripp Lite's option) to repair or replace (on a pro rata basis) directly connected equipment that is damaged due to power transients while properly connected to Tripp Lite products offering the Ultimate Lifetime Insurance Policy. Power transients include spikes and surges on the AC power, data or telephone lines that the Tripp Lite products have been designed to protect against (as recognized by industry standards). The following four paragraphs are conditions that must be complied with before the warranty becomes valid; failure to comply with these requirements will void the warranty.

**AC Power Line Transients:** To claim damages, the Tripp Lite product must be plugged into a properly wired and grounded outlet. No extension cords or other electrical connections may be used. The installation must comply with all applicable electrical and safety codes set forth by the National Electrical Code (NEC). Except as provided above, this warranty does not cover any damage to properly connected electronic equipment resulting from a cause other than an "AC power transient". If user meets all of the above requirements, Tripp Lite will repair or replace (at Tripp Lite's option) equipment up to the specified value (See Ultimate Lifetime Insurance Policy Limits). No coverage is allowed for damage entering from telephone or data lines, unless they are separately protected, as described below.

**Telephone and Data Line Transients:** Tripp Lite will repair or replace directly connected equipment that is damaged by transients on telephone and/or data lines only when all such paths are protected by a Tripp Lite protection product(s) and the AC power (utility) line is simultaneously protected by a Tripp Lite power protection device (UPS, surge suppressor or line conditioner) with Ultimate Lifetime Insurance coverage. Additional telephone and/or data line connected devices downstream must have their own telephone and/or data line protectors.

Reimbursement dollar limits will be equal to that of the Tripp Lite power protection protector. Coverage is excluded where a suitable environment for the protection device is not provided, including, but not limited to, lack of a proper safety ground. Telephone service equipment must also include a properly installed and operating "primary protection" device at the telephone service entrance (such devices are normally added during telephone line installation).

All above warranties are null and void if the Tripp Lite product has been improperly installed, tampered with or altered in any way, or if the connected equipment was not used under normal operating conditions or in accordance with any labels or instructions. All claims under this warranty must be submitted in writing to Tripp Lite within 30 days of the occurrence or the claim will not be considered. This warranty does not include damage resulting from accident or misuse, and applies to the domestic (USA & Canada) use of these products only. Tripp Lite reserves the right to determine whether the damage to the connected equipment is due to malfunction of the Tripp Lite product by requesting the equipment in question be sent to Tripp Lite for examination. This policy is above and beyond, only to the extent needed, of that provided by any coverage of connected equipment provided by other sources, including, but not limited to, any manufacturer's warranty and/or any extended warranties.

EXCEPT AS PROVIDED ABOVE, TRIPP LITE MAKES NO WARRANTIES, EXPRESS OR IMPLIED, INCLUDING WARRANTIES OF MERCHANTABILITY AND FITNESS FOR A PARTICULAR PURPOSE. Some states do not permit limitation or exclusion of implied warranties; therefore, the aforesaid limitation(s) or exclusion(s) may not apply to purchaser. EXCEPT AS PROVIDED ABOVE, IN NO EVENT WILL TRIPP LITE BE LIABLE FOR DIRECT, INDIRECT, SPECIAL, INCIDENTAL OR CONSEQUENTIAL DAMAGES ARISING OUT OF THE USE OF THIS PRODUCT, EVEN IF ADVISED OF THE POSSIBILITY OF SUCH DAMAGE. Specifically, Tripp Lite is not liable for any costs, such as lost profits or revenue, loss of equipment, loss of use of equipment, loss of software, loss of data, costs of substitutes, claims by third parties or otherwise. Coverage also does not apply to connected medical and industrial equipment.

To receive service under this warranty, you must be the original purchaser/user of the product in question. You must obtain a Returned Material Authorization (RMA) number from Tripp Lite. Products must be returned to Tripp Lite with transportation charges prepaid and must be accompanied by a brief description of the problem encountered and proof of date and place of purchase.



1111 W. 35th Street, Chicago, IL 60609 USA  
773.869.1234 (USA) • 773.869.1212 (International)  
[www.triplite.com](http://www.triplite.com)

Copyright © 2006. All rights reserved. Isobar® is a registered trademark of Tripp Lite.

200902150 932886-EN

# Manual del propietario

**¡Compatible y de  
alta definición (HD)!**

## **isobar.**<sup>®</sup> Panel plano digital Centro de acondicionamiento de potencia



<b>Seguridad</b>	<b>6</b>
------------------	----------

<b>Características</b>	<b>6</b>
------------------------	----------

<b>Instalación</b>	<b>7</b>
--------------------	----------

<b>Garantía Vitalicia Limitada</b>	<b>8</b>
------------------------------------	----------

<b>English</b>	<b>1</b>
----------------	----------

<b>Français</b>	<b>9</b>
-----------------	----------



1111 W. 35th Street, Chicago, IL 60609 USA  
773.869.1234 (USA) • 773.869.1212 (International)  
[www.tripplite.com](http://www.tripplite.com)

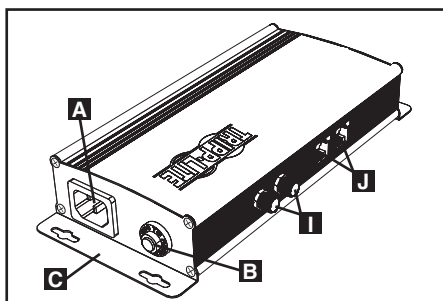


## INSTRUCCIONES DE SEGURIDAD IMPORTANTES. GUARDE ESTAS INSTRUCCIONES.

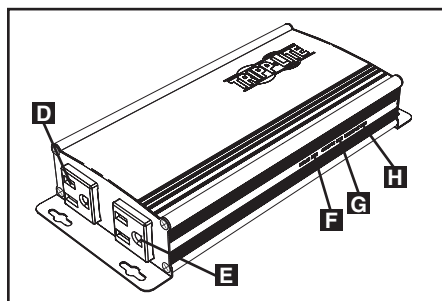
Este manual contiene instrucciones y advertencias que deben seguirse durante la instalación y operación de todos los Accione los centros de energía para equipos de pantalla plana de Tripp Lite. La falta de observancia de estas advertencias anulará su garantía.

- Este dispositivo tiene una función de protección interna que desconectará el componente de protección de sobretensiones al final de su vida útil, pero que mantendrá la energía a la carga-ahora sin protección.
- No lo conecte a una salida que no esté conectada a tierra. No lo use con cordones de extensión de 2 conductores ni con adaptadores.
- Este dispositivo está diseñado sólo para usarse bajo techo. Instale el supresor de sobretensiones lejos de dispositivos emisores de calor como radiadores o registros de calor. No lo instale donde haya excesiva humedad.
- No conecte este dispositivo durante una tormenta eléctrica.
- No taladre en ninguna parte de la cubierta ni la abra por ningún motivo. No hay partes que requieran mantenimiento por parte del usuario en su interior.
- El uso de este equipo en aplicaciones de soporte de vida en donde la falla de este equipo pueda razonablemente hacer suponer que causará fallas en el equipo de soporte de vida o afecte significativamente su seguridad o efectividad, no está recomendado. No use este equipo en la presencia de una mezcla anestésica inflamable con aire, oxígeno u óxido nítrico.

## Características



Interruptor, panel de cordones y trasero



Panel de salida

### Interruptor y panel de cordones

- A** **Cordón de alimentación separable con enchufe en ángulo recto:** conecta el centro de energía para equipos de pantalla plana a una toma de corriente estándar tripolar puesta a tierra, de 120V CA, 60Hz. El cordón separable hace más simple la instalación; el enchufe en ángulo recto permite colocar el equipo y el mueble a ras contra la pared.
- B** **Interruptor automático:** Protege contra peligrosas sobrecargas del sistema. Si la carga total en las salidas del centro de energía para equipos de pantalla plana excede los 12 amperios, el interruptor automático disparará y las salidas dejarán de proporcionar energía. Reduzca la carga desconectando algunos dispositivos. Presione el interruptor automático para restaurar la energía.
- C** **Bridas de montaje:** Permiten un montaje seguro (con tornillos suministrados por el usuario) en cualquier superficie apropiada, incluyendo la pared detrás del televisor de pantalla plana. El usuario debe determinar la idoneidad de la superficie de montaje y los tornillos suministrados por él mismo antes de la instalación.

### Panel de salida

- D** **Salida para el televisor de alta definición (HDTV):** protege cualquier televisor de pantalla plana (plasma, LCD o HDTV) contra daños por sobre tensiones y de la distorsión por ruido en la línea de CA. Encienda y apague la alimentación de esta salida usando el interruptor de alimentación.
- E** **Salida "AUXILIAR":** protege cualquier accesorio (receptor, reproductor, etc..) contra daños por sobre tensiones y de la distorsión por ruido en la línea de CA. Encienda y apague la alimentación de esta salida usando el interruptor de

## Características (continuación)

alimentación.

- F LED “LINE OK” (Energía de línea correcta):** indica que la energía nominal de CA está presente y no se detectan fallas en el cableado. Cuando este LED está iluminado, la energía CA es segura para el equipo conectado.
- G LED “SURGE OK” (Sobre tensión OK):** indica que los componentes del sistema de supresión de sobre tensiones están intactos y proporcionan protección total. Si el LED no se ilumina, asegúrese que el centro de energía para equipos de pantalla plana esté conectado, el interruptor de alimentación esté encendido y que haya energía. Si todavía este LED no se ilumina, algunos de los componentes del sistema de supresión de sobre tensiones pueden no estar funcionando apropiadamente. Contacte con el Soporte al cliente de Tripp Lite para recibir asistencia técnica. Todavía puede usar centro de energía para equipos de pantalla plana, pero el equipo conectado tendrá un nivel de protección contra sobre tensiones, menor que el normal.
- H LED “GROUND OK” (Tierra OK):** indica la presencia de una toma de corriente puesta a tierra apropiadamente. Nota: Se requiere una toma de corriente puesta a tierra apropiadamente para que el centro de energía para equipos de pantalla plana proteja adecuadamente el equipo conectado contra daños por sobre tensiones. Si el LED no se ilumina, asegúrese que el centro de energía para equipos de pantalla plana esté conectado, el interruptor de alimentación esté encendido y que haya energía. Si todavía este LED no se ilumina, póngase en contacto con un electricista calificado para verificar que la puesta a tierra es adecuada.

## Panel Trasero

- I Conectores Coaxiales Bidireccionales HD de Entrada y Salida:** protegen las antenas principales de Satélite, Cable y HDTV contra los sobrevoltajes momentáneos o descargas eléctricas destructoras que lleguen por las líneas coaxiales.
- J Conectores RJ45 para Protección de Red/Ethernet:** dan cobertura a las 8 patillas para los conmutadores que utilicen entradas cat5 y de red.

## No mostrado

**Alarma audible:** emite una alerta inmediatamente para indicar que un circuito de protección interna está dañado. En este caso, contacte con el Soporte al cliente de Tripp Lite.

## Instalación

**PASO 1) Coloque o monte del centro de energía para equipos de pantalla plana:** Coloque el centro de energía para equipos de pantalla plana en un anaquel o use las bridas de montaje para instalar de forma segura el centro de energía (con los tornillos suministrados por el usuario) en una superficie adecuada, incluyendo la pared detrás del televisor de pantalla plana. El usuario debe determinar la idoneidad de la superficie de montaje y los tornillos suministrados por él mismo antes de la instalación. Nota: Si es posible, monte centro de energía para equipos de pantalla plana de tal forma que los LEDs queden visibles.

**PASO 2) Conecte centro de energía para equipos de pantalla plana a la línea de corriente alterna:** Conecte el cordón de alimentación al centro de energía para equipos de pantalla plana, luego conéctelo a una salida estándar tripolar puesta a tierra, de 120V CA, 60Hz, esto enciende la unidad.

**PASO 3) Verifique las luces indicadoras de diagnóstico del centro de energía para equipos de pantalla plana:** Revise los LEDs antes de conectar su equipo. Ellas le indicarán varias condiciones de operación cuando el centro de energía para equipos de pantalla plana esté conectado en una salida con energía de 120 V CA.

**PASO 4) Conecte su equipo a las salidas de corriente alterna del centro de energía para equipos de pantalla plana:** Conecte el televisor de pantalla plana y los accesorios (si se emplean) a las salidas del centro de energía para equipos de pantalla plana adecuadamente marcadas. NO conecte cordones de extensión. NO SOBRECARGUE las salidas del centro de energía para equipos de pantalla plana. El centro de energía para equipos de pantalla plana permite conectar una carga de equipo total de hasta 12 amperios. Si la carga en el centro de energía para equipos de pantalla plana excede los 12 amperios, el interruptor automático disparará y las salidas dejarán de proporcionar alimentación. Si el interruptor automático dispara, reduzca la carga desconectando algunos dispositivos. Presione el interruptor automático para restaurar la energía.

## Garantía Vitalicia Limitada

El Vendedor garantiza que este producto, si se utiliza conforme a todas las instrucciones pertinentes, estará exento de defectos originales en el material y la fabricación durante toda su vida (en México: 25 años). Si el producto presenta algún defecto de material o fabricación dentro de ese plazo, el Vendedor lo reparará o sustituirá a su criterio exclusivo. El servicio bajo esta Garantía se ofrecerá sólo si usted entrega o envía el producto (habiendo pagado todos los gastos de flete o transporte) a: Tripp Lite, 1111 W. 35th St., Chicago, IL 60609, EE.UU. El Vendedor correrá con los gastos de envío del producto al cliente. Las garantías de todos los supresores de sobretensiones de Tripp Lite serán anuladas si estos supresores han sido conectados a los receptáculos de salida de cualquier sistema UPS. Las garantías de todos los Sistemas UPS de Tripp Lite serán anuladas si se ha conectado algún supresor de sobretensiones a los receptáculos de salida del sistema UPS en cuestión. ESTA GARANTÍA NO APLICA EN CASO DE DESGASTE NORMAL O DAÑOS QUE SE ORIGINEN DE ACCIDENTES, MALTRATO, ABUSO O NEGLIGENCIA. EL VENDEDOR NO OFRECE NINGUNA OTRA GARANTÍA EXPRESA APARTE DE LA QUE SE ENUNCIA EXPLÍCITAMENTE EN ESTE DOCUMENTO. SALVO HASTA DONDE LO PROHIBA LA LEY VIGENTE, LA DURACIÓN DE TODAS LAS GARANTÍAS IMPLÍCITAS, INCLUIDAS LAS DE COMERCIALIZACIÓN O IDONEIDAD, ESTÁ LIMITADA AL PLAZO ENUNCIADO ANTERIORMENTE. ESTA GARANTÍA EXCLUYE EXPRESAMENTE TODOS LOS PERJUICIOS FORTUITOS Y RESULTANTES. (Ya que algunas jurisdicciones no permiten imponer limitaciones a la duración de una garantía implícita o prohíben la exclusión o limitación de daños fortuitos o resultantes, puede que las limitaciones o exclusiones antedichas no rijan en todos los casos. Esta Garantía le otorga derechos legales específicos, y es posible que usted tenga otros derechos que dependen de la jurisdicción.)

TRIPP LITE; 1111 35th St.; Chicago, IL 60609, EE.UU.

### Cumplimiento de las normas de los números de identificación

Para fines de identificación y certificación del cumplimiento de las normas, su producto Tripp Lite tiene asignado un número de serie único. Puede encontrar el número de serie en la etiqueta de la placa de identificación del producto, junto con los símbolos de aprobación e información requeridos. Al solicitar información sobre el cumplimiento de las normas para este producto, siempre mencione el número de serie. El número de serie no debe ser confundido con el nombre de identificación ni con el número de modelo del producto.

Tripp Lite tiene una política de mejoramiento continuo. Las especificaciones están sujetas a cambio sin previo aviso.

Fabricado en China.

**ADVERTENCIA:** Antes de usar este dispositivo el usuario es responsable de determinar si es idóneo, adecuado o inocuo para el uso previsto. Ya que cada aplicación está sujeta a enormes variaciones, el fabricante no ofrece ninguna representación o garantía respecto a la idoneidad o adaptabilidad de estos dispositivos para determinada aplicación. La política de Tripp Lite es el mejoramiento continuo. Las especificaciones están sujetas a cambio sin previo aviso.



1111 W. 35th Street, Chicago, IL 60609 USA  
773.869.1234 (USA) • 773.869.1212 (International)  
[www.tripplite.com](http://www.tripplite.com)



# Manuel du Propriétaire

Haute Définition  
Compatible (HD)

## **isobar**<sup>®</sup> Écran plat numérique Poste de conditionnement de l'énergie



**Sécurité** 10

**Caractéristiques** 10

**Installation** 11

**Garantie Limitée a Vie** 12

**Police d'assurance garantie à vie totale** 12

**English** 1

**Español** 5



1111 W. 35th Street, Chicago, IL 60609 USA  
773.869.1234 (USA) • 773.869.1212 (International)  
[www.tripplite.com](http://www.tripplite.com)

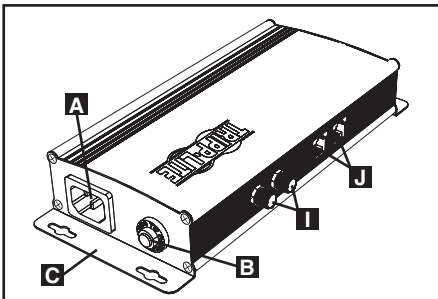


### CONSIGNES DE SÉCURITÉ IMPORTANTES. CONSERVER CES DIRECTIVES.

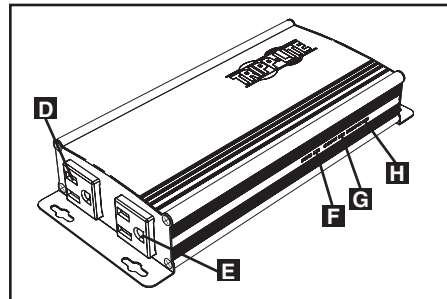
Ce manuel contient des directives et des avertissements qui doivent être suivis Durant l'installation et l'opération de tous les distributeurs d'alimentation électrique à panneau plat de Tripp Lite. La non observation de ces avertissements va annuler votre garantie.

- Le distributeur d'alimentation électrique à panneau plat présente une protection interne qui va déconnecter le composant de protection contre les surtensions à la fin de sa durée de vie mais maintiendra l'alimentation à la charge-maintenant sans protection.
- Ne pas brancher le distributeur d'alimentation électrique à panneau plat à une prise non mise à la terre. Ne pas utiliser des cordons prolongateurs ou adaptateurs à 2 fils. Ne pas brancher des cordons prolongateurs au distributeur d'alimentation électrique à panneau plat.
- Le distributeur d'alimentation électrique à panneau plat est conçu pour être utilisé à l'intérieur seulement. Installez le distributeur d'alimentation électrique à panneau plat loin d'appareils de chauffage tels que radiateurs ou source de chaleur. Ne pas installer en présence d'humidité excessive.
- Ne jamais faire l'installation électrique pendant un orage.
- Ne jamais percer une quelconque partie du boîtier ni ouvrir le boîtier. Aucune pièce interne ne peut être réparée par l'utilisateur.
- Il est déconseillé d'utiliser cet équipement dans des applications médicales où une panne de cet équipement pourrait normalement provoquer la panne de l'équipement de survie ou altérer notablement sa sécurité ou son efficacité. Ne pas utiliser cet équipement en présence d'un mélange anesthésique inflammable avec de l'air, de l'oxygène ou de l'oxyde nitreux.

## Caractéristiques



Panneau Disjoncteur, Cordon & Arrière



Panneau Prise

### Disjoncteur & Cordon

- A Cordon d'alimentation détachable avec fiche équerre :** connecte distributeur d'alimentation électrique à panneau plat à une prise murale standard à 3-fils, mise à la terre, 120VCA, 60 Hz. Le cordon détachable simplifie l'installation; la fiche équerre permet d'adosser l'équipement et le mobilier au mur.
- B Disjoncteur :** protégé contre la surcharge dangereuse du système. Si la charge aux prises du distributeur d'alimentation électrique à panneau plat excède 12 amps, le disjoncteur intégré au commutateur va s'enclencher avec arrêt de l'alimentation à toutes les prises. Réduire la charge en débranchant certains appareils. Relâcher le disjoncteur pour rétablir le courant.
- C Collet de Montage :** permet de sécuriser le montage (avec vis fournies par l'utilisateur) sur n'importe quelle surface convenable, y compris sur un mur derrière un écran TV plat. L'utilisateur doit déterminer la compatibilité de la surface de montage et des vis fournies par l'utilisateur avant l'installation.

### Panneau Prise

- D Prise "HDTV" :** protègent tout écran TV plat (plasma, LCD ou HDTV) contre les dommages causés par les surtensions et la distorsion du bruit de ligne sur la ligne CA. Allumez et éteignez le courant à l'aide du Commutateur d'Alimentation.

## Caractéristiques (suite)

- E** **Prise “ACCESSORY” (Accessoire)** : protège tout accessoire (receiver, player, etc.) contre les dommages causés par les surtensions et la distorsion du bruit de ligne sur la ligne CA. Allumez et éteignez le courant à l'aide du Commutateur d'Alimentation.
- F** **Voyant Lumineux “LINE OK”(Ligne OK)** : indique que l'alimentation CA nominale est présente avec aucuns défauts détectés. Lorsque ce voyant est allumé, l'alimentation CA est fiable pour le matériel connecté.
- G** **Voyant Lumineux “SURGE OK” (Surtension OK)** : indique que les composantes de suppression contre les surtensions sont intactes et fournissent la protection complète. Si ce voyant n'est pas allumé, assurez vous que le distributeur d'alimentation électrique à panneau plat soit branché, le Commutateur d'Alimentation soit sur on et que le courant soit présent. Si ce voyant n'est toujours pas allumé, alors certaines composantes de suppression contre les surtensions ne doivent pas fonctionner correctement. Contactez le Service à la Clientèle de Tripp Lite pour assistance. Vous pouvez toujours utiliser le distributeur d'alimentation électrique à panneau plat; cependant, le matériel connecté sera protégé dessurtensions à un niveau inférieur à la normale.
- H** **Voyant Lumineux “GROUND OK”** : indique la présence d'une prise murale correctement mise à la terre. Note: une prise murale correctement mise à la terre est requise pour que le distributeur d'alimentation électrique à panneau plat puisse protéger convenablement le matériel connecté contre les dommages causés par les surtensions. Si ce voyant n'est pas allumé, assurez vous que le distributeur d'alimentation électrique à panneau plat soit branché, le Commutateur d'Alimentation soit sur on et que le courantsoit présent. Si ce voyant n'est toujours pas allumé, contactez un électricien qualifié pour vérifier la mise à la terre.

## Panneau arrière

- I** **Prises coaxiales entrée/sortie HD bidirectionnelles** : pour protéger les antennes satellite, les antennes collectives TVHD et l'entrée câble contre les surtensions ou les pics de tension propagés sur les lignes.
- J** **Prises de protection réseau/Ethernet RJ45** : protègent les 8 broches des commutateurs à matrice pour entrées cat5 et réseau.

## Non Montré

**Alarme Audible** : vous alerte immédiatement des dommages causés au circuit interne de protection. Si cela se produit, contactez le Service à la Clientèle de Tripp Lite.

## Installation

**ÉTAPE 1) Placez ou Montez Votre distributeur d'alimentation électrique à panneau plat** : Placez le distributeur d'alimentation électrique à panneau plat sur une étagère ou utilisez les collets de montage pour sécuriser le montage du distributeur d'alimentation électrique à panneau plat (avec vis fournies par l'utilisateur) sur n'importe quelle surface adéquate, y compris sur un mur derrière un écran TV plat. L'utilisateur doit déterminer la compatibilité de la surface de montage et des vis fournies par l'utilisateur avant l'installation. Note: Si possible, montez le distributeur d'alimentation électrique à panneau plat afin que les voyants soient visibles.

**ÉTAPE 2) Connecter votre distributeur d'alimentation électrique à panneau plat sur l'alimentation de secteur** : Branchez le cordon le cordon d'alimentation au distributeur d'alimentation électrique à panneau plat, puis dans une prise standard à 3-fils, mise à la terre, 120VCA, 60 Hz, cela allume l'appareil.

**ÉTAPE 3) Vérifiez les Témoins Lumineux de Diagnostic de Votre distributeur d'alimentation électrique à panneau plat** : Vérifiez les Témoins Lumineux avant de connecter votre matériel. Ils vont indiquer les conditions diverses d'opération lorsque le distributeur d'alimentation électrique à panneau plat est branché à une prise de secteur 120V AC.

**ÉTAPE 4) Connectez Votre Matériel aux Prises CA du distributeur d'alimentation électrique à panneau plat** : Branchez votre écran TV plat et accessoire (si nécessaire) dans les prises du distributeur d'alimentation électrique à panneau plat marquées à cet effet. NE PAS brancher dans les cordons prolongateurs. NE PAS SURCHARGER les prises du distributeur d'alimentation électrique à panneau plat. Le distributeur d'alimentation électrique à panneau plat peut accommoder une charge totale de matériel jusqu'à 12 ampères. Si la charge aux prises du distributeur d'alimentation électrique à panneau plat excède 12 ampères, le disjoncteur intégré au commutateur va s'enclencher avec arrêt de l'alimentation à toutes les prises. Si le disjoncteur s'enclenche, réduisez la charge en débranchant certains appareils. Relâchez le disjoncteur pour rétablir le courant.

## Garantie Limitée a Vie

Le Vendeur garantit ce produit à vie, s'il est utilisé conformément aux instructions applicables, contre tout défaut de matière et de main-d'œuvre. Si le produit présente un défaut de matière ou de main-d'œuvre pendant cette période, le Vendeur s'engage à le réparer ou à le remplacer, à sa discrétion. La réparation dans le cadre de la présente garantie ne peut être obtenue qu'en livrant ou en expédiant le produit (tous les frais d'expédition ou de livraison payés d'avance) à : Tripp Lite, 1111 W. 35th St., Chicago, IL 60609, USA. Le Vendeur s'engage à payer les frais d'expédition pour le renvoi du produit. Les garanties de tous les distributeur d'alimentation électrique à panneau plat subite de TRIPP LITE sont nulles si elles ont été reliées à la sortie de n'importe quel système d'UPS. Les garanties de tous les systèmes d'UPS de TRIPP LITE sont nulles si un distributeur d'alimentation électrique à panneau plat subite a été relié à ses réceptacles de sortie.

LA PRÉSENTE GARANTIE NE S'APPLIQUE PAS À L'USURE NORMALE OU AUX DOMMAGES RÉSULTANT D'UN ACCIDENT, D'UN MAUVAIS USAGE OU D'UNE NÉGLIGENCE. LE VENDEUR N'ACCORDE AUCUNE AUTRE GARANTIE EXPRESSE QUE CELLE MENTIONNÉE EXPRESSÉMENT DANS LA PRÉSENTE. TOUTES LES GARANTIES IMPLICITES, Y COMPRIS LES GARANTIES DE QUALITÉ MARCHANDE OU D'ADEQUATION À UN USAGE PARTICULIER, SONT LIMITÉES À LA DURÉE DE LA PÉRIODE DE GARANTIE SUSMENTIONNÉE. LA PRÉSENTE GARANTIE EXCLUT EXPRESSÉMENT TOUTS LES DOMMAGES FORTUITS ET INDIRECTS. (Certaines juridictions n'autorisent pas de limitation de la durée de la garantie implicite et d'autres l'exclusion ou la limitation des dommages fortuits ou indirects, les limitations et exclusions mentionnées ci-dessus peuvent ne pas s'appliquer à votre cas. La présente garantie vous donne des droits spécifiques et vous pouvez jouir d'autres droits qui varient d'une juridiction à une autre.) TRIPP LITE, 1111 W. 35th St.; Chicago, IL 60609, USA

**AVERTISSEMENT** : avant tout usage, l'utilisateur doit déterminer si le dispositif est adapté à l'emploi prévu et si, le cas échéant, il ne présente aucun danger. Comme les applications peuvent différer considérablement les unes des autres, le fabricant ne fait aucune déclaration ni n'accorde aucune garantie quant à l'adéquation de ces appareils à une application donnée.

### Numéros d'identification de Conformité aux Règlements

À des fins de certification et d'identification de conformité aux règlements, votre produit Tripp Lite a reçu un numéro de série unique. Ce numéro se retrouve sur la plaque signalétique du produit, avec les inscriptions et informations d'approbation requises. Lors d'une demande d'information de conformité pour ce produit, utilisez toujours le numéro de série. Il ne doit pas être confondu avec le nom de la marque ou le numéro de modèle du produit.

La politique de Tripp Lite est en amélioration constante. Les caractéristiques sont susceptibles d'être modifiées sans préavis.

Fabriqué en Chine.

## Police d'assurance garantie à vie totale

(C'est une garantie limitée valable aux É.-U. et au Canada uniquement.)

Tripp Lite garantit, pour la durée de vie du produit, (à la discrétion de Tripp Lite) de réparer ou de remplacer (sur une base prorata) l'équipement endommagé par des transitoires tandis qu'il était correctement branché à des produits Tripp Lite offrant la police d'assurance garantie à vie totale. Les transitoires d'alimentation comprennent les pointes et les surtensions du secteur, des lignes de transmissions de données ou de téléphone, dont ils doivent être protégés les produits Tripp Lite conçus à cet effet (tel qu'avéré par les normes de l'industrie). Pour que la garantie s'applique, il est nécessaire de se conformer aux quatre paragraphes suivants; le non respect de ces exigences annulera la garantie.

**Transitoires sur le secteur** : Pour faire un réclamation de dommages, le produit Tripp Lite doit être branché dans une prise correctement câblée avec mise à la terre. Aucun cordon prolongateur ni autre branchement électrique ne doit être utilisé. L'installation doit être conforme à tous les codes applicables d'électricité et de sécurité établis par le code électrique national (NEC). À l'exception des dispositions ci-dessus, cette garantie ne couvre aucun dommage à l'équipement électronique correctement branché résultant d'une cause autre qu'une "transitoire de secteur". Si l'utilisateur satisfait aux exigences ci-dessus, Tripp Lite réparera ou remplacera (à la discrétion de Tripp Lite) l'équipement jusqu'à sa valeur spécifiée (Voir les limites de la police d'assurance garantie à vie totale). Aucune couverture n'est admise pour les dommages entrant par les lignes de téléphone ou de transmission de données à moins qu'elles ne soient protégées séparément, tel que décrit ci-dessus.

**Transitoires sur les lignes de téléphone et de transmission de données** : Tripp Lite réparera ou remplacera un équipement directement branché, endommagé par des transitoires sur des lignes de téléphone et/ou de transmission de données, seulement si ces accès sont protégés par des produits de protection Tripp Lite et que la ligne du secteur est simultanément protégée par un appareil de protection de secteur de Tripp Lite (onduleur, parasurtenseur ou filtre de secteur) avec une couverture de police d'assurance garantie à vie totale. Les appareils branchés en aval sur une ligne supplémentaire de téléphone et/ou transmission de données doivent disposer de leurs propres protecteurs.

Le remboursement (en dollars) sera limité à la valeur du protecteur de secteur de Tripp Lite. La couverture est exclue là où un environnement adéquat pour l'appareil de protection n'est pas fourni, y compris, mais sans y être limité, l'absence d'une mise à la terre sécuritaire. L'équipement téléphonique doit également inclure un appareil de "protection primaire" correctement installé et en état de marche à l'entrée du service téléphonique (de tels appareils sont normalement ajoutés lors de l'installation d'une ligne téléphonique).

Toutes les garanties ci-dessus sont nulles et non avenues si le produit Tripp Lite a été mal installé, modifié ou transformé d'une quelconque manière ou si l'équipement branché n'a pas été utilisé dans des conditions normales d'opération ou conformément à l'étiquetage ou aux directives. Toutes réclamations dans le cadre de cette garantie doivent être soumises par écrit à Tripp Lite dans les trente (30) jours après l'événement ou la réclamation ne sera pas prise en compte. Cette garantie n'inclut pas les dommages résultant d'accident ou de mauvaise utilisation et s'applique seulement à l'usage nord-américain (États-Unis et Canada) de ces produits. Tripp Lite se réserve le droit de déterminer si les dommages à l'équipement branché sont dus à une défaillance du produit Tripp Lite en exigeant que l'équipement en question soit envoyé à Tripp Lite pour examen. Cette police s'ajoute, dans la mesure nécessaire, à toute couverture de l'équipement branché fournie par d'autres sources, y compris, mais sans y être limité, à toute garantie du fabricant et/ou à toutes garanties prolongées.

**A L'EXCEPTION DES DISPOSITIONS CI-DESSUS, TRIPP LITE N'OFFRE AUCUNE GARANTIE, EXPRESSE OU IMPLICITE, Y COMPRIS DES GARANTIES DE QUALITÉ COMMERCIALE OU D'ADAPTATION À UNE UTILISATION PARTICULIÈRE** Certains états n'autorisent pas de restriction ni d'exclusion de la garantie implicite; conséquemment, les restrictions ou exclusions susmentionnées peuvent ne pas s'appliquer à l'acheteur. À L'EXCEPTION DES DISPOSITIONS CI-DESSUS, TRIPP LITE NE POURRA EN AUCUN CAS ÊTRE TENUE RESPONSABLE DE DOMMAGES DIRECTS, INDIRECTS, SPÉCIAUX OU FORTUITS DÉCOULANT DE L'UTILISATION DE CE PRODUIT, MÊME SI L'UTILISATEUR A ÉTÉ AVISÉ DU RISQUE DE TELS DOMMAGES. En particulier, Tripp Lite ne pourra être tenue responsable de frais quelconques, comme la perte de bénéfices ou de recettes, la perte d'équipement, la perte d'usage de l'équipement, la perte de logiciel, la perte de données, les frais de remplacement et les réclamations d'un tiers ou autre. La couverture ne s'applique pas non plus à l'équipement branché s'il est médical ou industriel.

Pour obtenir un service dans le cadre de cette garantie, vous devez être l'acheteur ou l'utilisateur initial du produit. Vous devez obtenir un numéro d'autorisation de retour de matériel (RMA) auprès de Tripp Lite. Les produits doivent être retournés à Tripp Lite, frais de port prépayés, et doivent être accompagnés d'une brève description du problème et d'une preuve d'achat mentionnant la date et le lieu.

Copyright © 2006 Tripp Lite. Tous droits réservés. Isobar® est une marque de commerce enregistrée de Tripp Lite.



1111 W. 35th Street, Chicago, IL 60609 USA  
773.869.1234 (USA) • 773.869.1212 (International)  
www.tripplite.com

200902150 93-2886-FR