

# Quick Start Guide

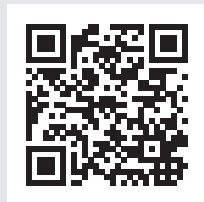
## IP Remote Access Unit

Model: B051-000

### PROTECT YOUR INVESTMENT!

Register your product for quicker service  
and ultimate peace of mind.

You could also win an  
ISOBAR6ULTRA surge protector—  
a \$100 value!



[www.tripplite.com/warranty](http://www.tripplite.com/warranty)



1111 W. 35th Street, Chicago, IL 60609 USA • [www.tripplite.com/support](http://www.tripplite.com/support)

Copyright © 2017 Tripp Lite. All rights reserved.  
All trademarks are the property of their respective owners.

## Package Contents

- B051-000
- 4 ft. USB/PS2 Combo Cable Kit
- 10 in. USB/PS2 Combo Console Cable Kit
- 6 ft. USB 2.0 LUC Cable (5-Pin Mini-B Male to A Male)
- 5 ft. External Power Supply (Input: 100-240V, 50/60 Hz, 0.5A; Output: 5.3V 2.4A)
- Rack-Mount Bracket
- DIN Rail Brackets
- CD with Software and Owner's Manual
- Quick Start Guide

## Remote Console Computer Requirements

- Browsers must support 128-bit SSL encryption
- For the browser-based Java Applet and non-browser AP Java Client, the latest version of Sun's Java Runtime Environment (JRE) must be installed, and 250 MB of memory available after installation
- For the Log Server, you must have the Microsoft Jet OLEDB 4.0 or higher driver installed
- For best results, we recommend the computers used to access the switch have at least a Pentium III, 1 GHz processor, with their screen resolution set to 1024 x 768
- For best results, we recommend a network transfer speed of at least 512 kbps
- For the browser-based Windows Client, at least 60 MB of memory must be available after installation
- For the non-browser Windows Client, at least 25 MB of memory must be available after installation

## Connected Computer/Server Requirements

Computers/servers to be connected to the B051-000 must have the following:

- VGA, SVGA or Multisync port
- For USB Connections: Type A USB port and USB host controller
- For PS/2 Connections: 6-pin mini-DIN keyboard and mouse ports

## Supported Operating Systems

- Compatible with all major operating systems

## Supported Video Resolutions

Only the following non-interlaced video signals are supported:

Resolution	Refresh Rates
640 x 480	60, 72, 75, 85, 90, 100, 120
720 x 400	70
800 x 600	56, 60, 72, 75, 85, 90, 100, 120
1024 x 768	60, 70, 75, 85, 90, 100
1152 x 864	60, 70, 75, 85
1280 x 720	60
1280 x 1024	60, 70, 75, 85
1600 x 1050	60
1600 x 1200	60
1920 x 1080	60
1920 x 1200	60

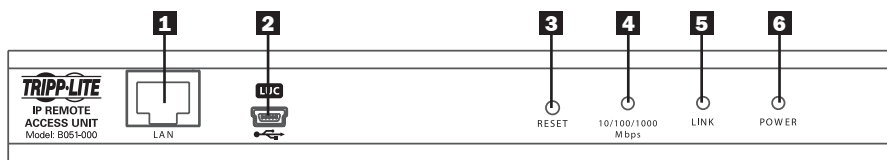
## Supported Browsers

Supported browsers for users that remotely log into the B051-000 include:

Browser	Version
Internet Explorer (32-bit)*	6 and higher
Chrome	8.0 and higher
Firefox	3.5 and higher
Mozilla	1.7 and higher
Safari	4.0 and higher
Opera	10.0 and higher
Netscape	9.1 and higher

\* Internet Explorer 64-bit is not supported.

## Front View



### 1 LAN Port

The Cat5e/6 cable that connects the B051-000 to a network plugs in here.

### 2 LUC Port

This laptop USB console (LUC) port allows a laptop to be used as a console for accessing the unit.

### 3 Reset Switch

1. Pressing and releasing this switch will perform a system reset.
2. Pressing and holding the switch for more than 3 seconds restores the B051-000 to its factory default configuration settings.
3. Pressing and holding this switch while powering the unit on will restore the factory default firmware version. This operation should only be performed in the event of a firmware upgrade failure that results in the device becoming inoperable.

**Note:** This switch is recessed and must be pushed with a thin object, such as the end of a paper clip or ballpoint pen.

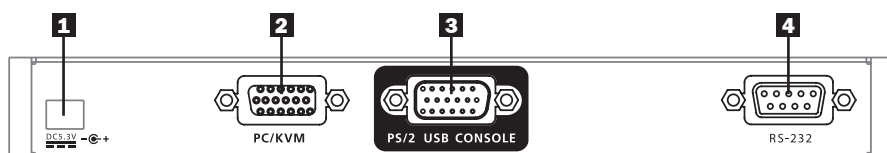
## Front View

- 4 10/100/1000 Mbps LED** Indicates the data transmission speed.

LED Color(s)	Transmission Speed
Orange	10 Mbps
Orange + Green	100 Mbps
Green	1000 Mbps

- 5 Link LED** Flashes green to indicate the B051-000 is being accessed remotely.
- 6 Power LED** Illuminates orange when the B051-000 is powered-on and ready to operate.

## Rear View



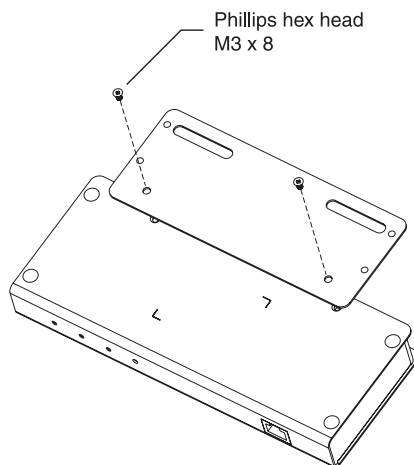
- 1 Power Jack** The included power adapter connects to the unit here.
- 2 PC/KVM Port** The KVM cable kit that connects the B051-000 to a KVM switch or server connects to the unit here.
- 3 Console port** The console connector kit that connects a Local Console to the B051-000 connects to the unit here.
- 4 RS-232 port** An RS-232 serial port is provided for out-of-band and low bandwidth modem and serial terminal connections.

## Rack Mounting

For convenience and flexibility, the B051-000 comes with a 0U rack-mount kit so the unit can be conveniently mounted on a system rack.

To rack mount the unit:

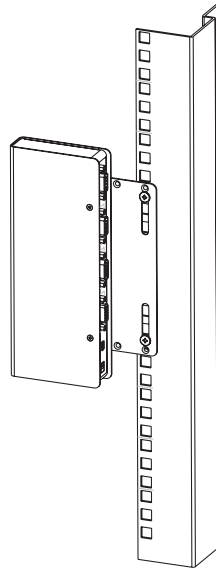
1. Remove the two original screws from the bottom of the unit (near the rear of the unit).
2. Using the screws and bracket provided with the rack-mount kit, screw the mounting bracket into the B051-000 as shown in the diagram.



## Rack Mounting

Screw the bracket into any convenient location on the rack.

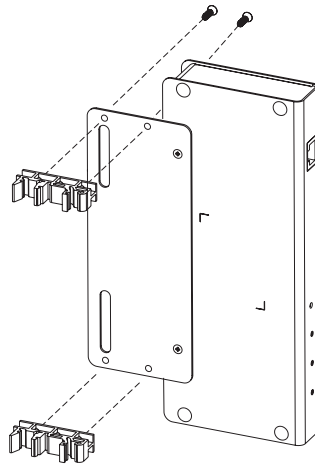
**Note:** Rack screws are not provided. Use screws that are appropriate for your rack.



## DIN Rail Mounting

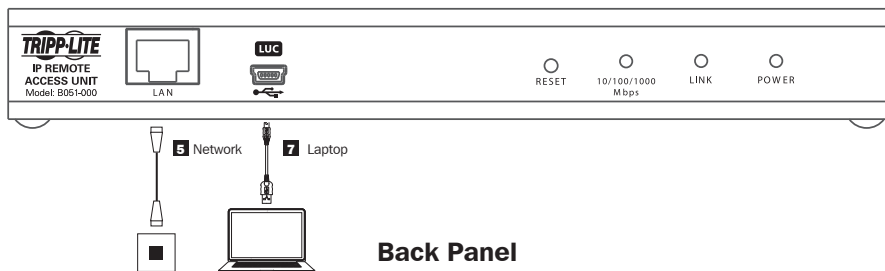
To mount the B051-000 on a DIN rail:

1. Screw the mounting bracket to the back of the B051-000 as described in Steps 1 and 2 of the Rack Mounting Section.
2. Use the larger screws supplied with the rack-mount kit to screw the DIN rail brackets to the mounting bracket as shown in the diagram.
3. Hang the unit on the DIN rail.

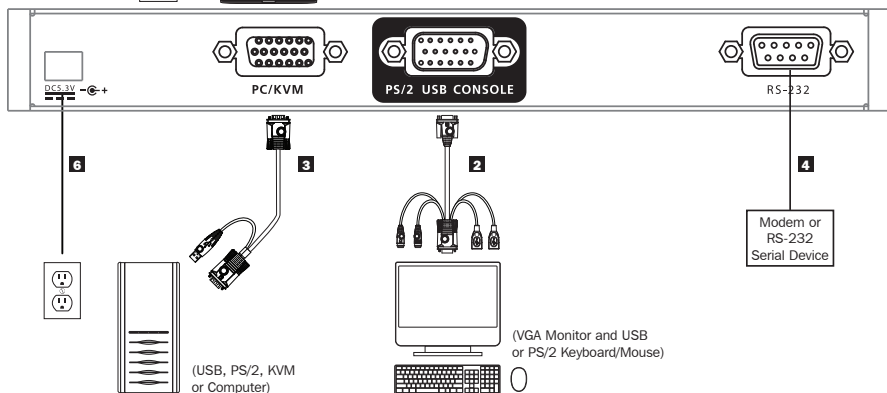


# Installation

## Front Panel



## Back Panel



- 1** Make sure that power to all of the devices you will be connecting is turned off.
- 2** Using the included USB/PS2 Combo Console Cable kit, connect the PS/2 – USB Console port on the unit to a VGA monitor, and a USB or PS/2 keyboard and mouse.  
**Note:** You can connect any combination of keyboard and mouse; USB and PS/2, USB and USB, or PS/2 and PS/2.
- 3** Using either the USB or PS/2 KVM cable kits that came with the unit, connect the PC/KVM port to the VGA monitor and USB or PS/2 keyboard/mouse ports to a computer or KVM switch.  
**Note:** The installation diagram shows a USB KVM cable kit. The PS/2 KVM cable kit is the same, except it has (x2) PS/2 connectors to connect to the PS/2 ports on a computer or KVM switch. Use the cable kit appropriate to your installation.
- 4 (Optional)** Connect a modem or other RS-232 serial device to the unit's RS-232 serial port.
- 5** Using a standard Cat5e/6 patch cable, connect the unit's LAN port to your network.
- 6** Connect the included external power supply to the unit's power jack, then plug it into a Tripp Lite Surge Protector, UPS or PDU.
- 7 (Optional)** When using the laptop USB console (LUC) feature, use the included USB Mini-B cable to connect the unit's LUC port to a USB port on a laptop.
- 8** Power on your installation, starting with the B051-000, then the computer or KVM switch followed by any other connected devices.

## Laptop USB Console (LUC)

The unit's front panel features a USB Mini-B port, which connects to the USB port on a laptop, to provide console control of the unit. To use this feature, connect your laptop to the LUC port on the front of the unit using a USB Mini-B cable. When connected, an extra drive will appear in your computer's "My Computer" screen. Click on this drive to open the Windows and Java Non-Browser Clients. Run the desired client to access the unit. The client's login screen will appear, with the unit showing up as a USB Mass Storage device in the Login Screen's Server List. Highlight the unit, then connect per the instructions in the **Non-Browser Login** section of this Quick Start Guide.

## Administrator Setup

### First Time Setup

Once the B051-000 has been installed, the Administrator must prepare the unit for user operation by setting the network parameters and adding users.

### Network Setup - IP Address Determination

Administrators logging in for the first time must access the B051-000 in order to provide an IP address so users can connect. You can do this via *Web Browser*, the *IP Installer* utility, or the non-browser *Windows* or *Java Client* applications.

#### Web Browser

By default, the B051-000 is set to have its IP address assigned automatically via DHCP server. If it is connected to a network without a DHCP server, it boots with a default IP address. On IPv4 networks, the default IP is 192.168.0.60. If it is on an IPv6 network, the default IP address is determined by the B051-000's MAC address. For example, if the MAC address is 00-10-74-13-81-01, the IPv6 address is **FE80:0:0:0:0010:74FF:FE13:8101**. The parts of the IP address that are in bold and underlined are fixed.

1. Enter the unit's IP address into your web browser.
2. You may be prompted by a screen stating that there is a problem with this website's security certificate. Click on the option to continue to the website anyway. (See *Web Browser Login* section for details on installing the security certificate)

## Administrator Setup

- You will be directed to a login page with Username and Password prompts. The default Username is *administrator* and the default Password is *password*. The Admin Utility Main Page will open upon entering the Username and Password.

The screenshot shows the 'KVM over IP B051-000' interface. On the left is a navigation menu with categories: Basic Setting, Advanced Setting, and Preferences. The 'General' section is active, displaying the following information:

Device Name:	B051-000
<b>General</b>	
MFG#:	AIH12300005
MAC Address:	00-06-67-00-75-29
Firmware Version:	V1.0.061.20170810
IP Address :	10.3.32.119
Subnet Mask :	255.255.255.0
Gateway :	10.3.32.254
Preferred DNS Server :	10.0.1.7
Alternate DNS Server :	10.0.1.6
IPv6 Address :	FE80:0:0:206:67FF:FE00:7529
IPv6 Subnet Prefix Length :	0

- Click the *Network* icon on the side of the page to open *Network Settings*.

The screenshot shows the 'KVM over IP B051-000' interface with the 'IP Installer' settings page open. The 'IP Installer' is currently set to 'View Only'. The 'Service Ports' section is visible:

Program:	9000
HTTP:	80
HTTPS:	443
SSH:	22
Telnet:	23

The 'IPv4 Settings' section is also visible, with the 'Obtain IP address automatically [DHCP]' checkbox selected:

IP Address:  
 Obtain IP address automatically [DHCP]  
 Set IP address manually [Fixed IP]

IP Address: 0.0.0.0  
Subnet Mask: 0.0.0.0  
Default Gateway: 0.0.0.0

DNS Server:  
 Obtain DNS server address automatically

- By default, the *Obtain IP address automatically [DHCP]* checkbox is checked. To set a fixed IP address, check the *Set IP address manually [Fixed IP]* check box in the IPv4 or IPv6 settings section, depending on your network.
- The *IP Address*, *Subnet Mask* and *Default Gateway* fields will be activated upon checking the *Set IP address manually [Fixed IP]* checkbox. Fill in these fields with information appropriate for your network.



## Administrator Setup

7. As with the *IP Address* settings, the *DNS Server* settings can be obtained automatically or assigned manually. To manually enter these settings, check the *Set DNS server address manually* checkbox and fill in the *Preferred DNS server* and *Alternate DNS server* fields with information appropriate for your network. **Note:** *The Alternate DNS server field is optional.*
8. When you have entered the *IP Address* and *DNS Server* settings, click the *Apply* button. Clicking the *Apply* button will automatically check the *Reset on exit* checkbox located in the *Customization* page of the Admin Utility. When you log out, the unit will be reset and your network changes will be applied.

See *Network Settings* section in the *Owner's Manual* for complete information on the rest of the settings located in this page.

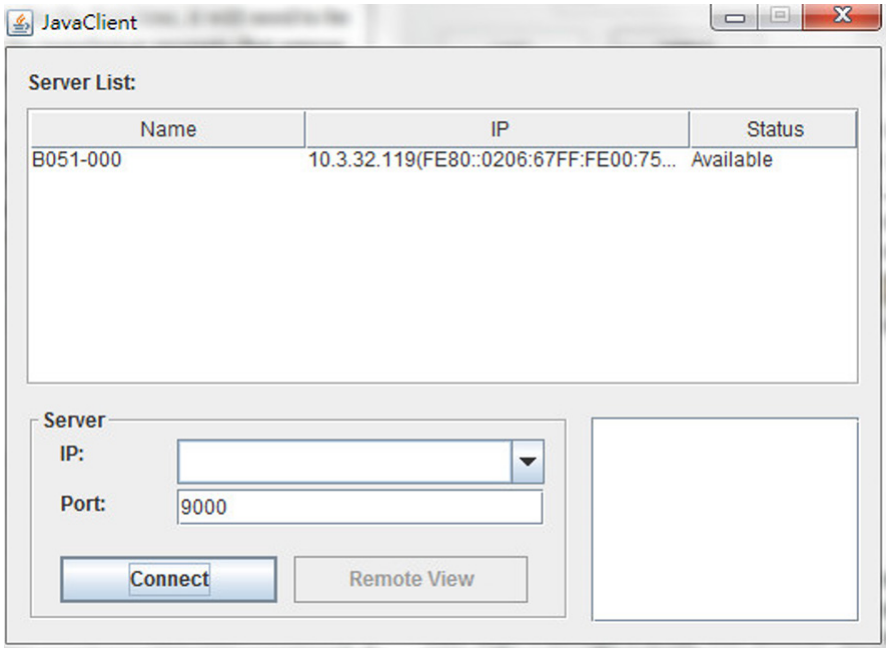
### Non-Browser Client

The included CD contains Windows and Java Client applications that allow you to remotely access the B051-000 and its Admin Utility without using a web browser. The applications function is the same. However, the Windows Client is designed for Windows computers, whereas the Java client is designed for either Windows or non-Windows computers. When accessed from a computer that is on the same network as the IP remote access unit, the client will search the network for the device and display it in a device list for you to access. If accessed from a computer that is not on the same network as the IP remote access unit, you must obtain the IP address from your network administrator and manually enter it into the client. (See *Web Browser* section above for information on obtaining the IP address) To use the Windows or Java client to assign a fixed IP address, follow the steps below.

1. Save the Windows or Java client from the CD to a desired location on your computer. Double-click the file to open it.
2. When accessing the Windows Client for the first time, it will need to be installed on your computer. Follow the installation prompts that appear. Once installed, a Windows Client icon will appear on your desktop.

## Administrator Setup

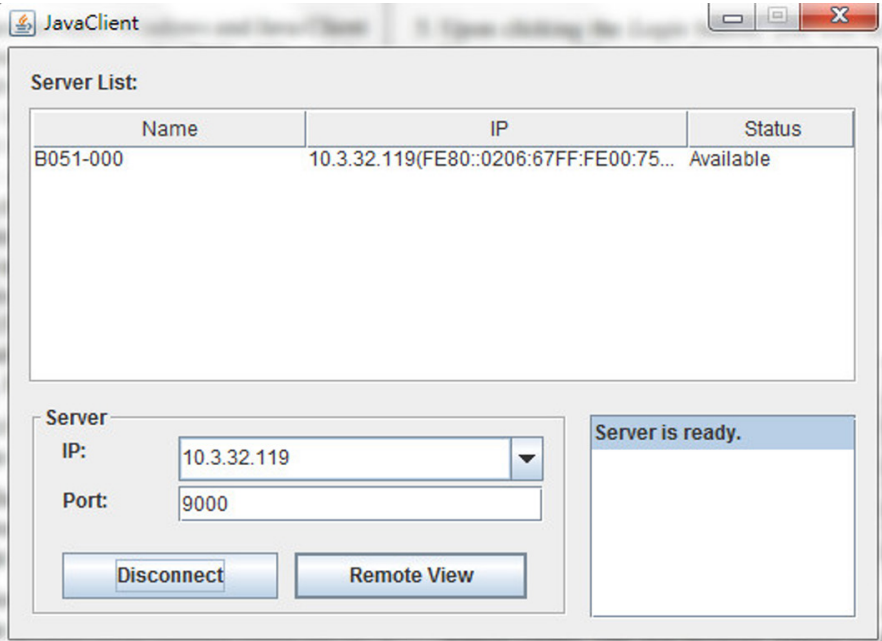
3. When accessing either the Windows or the Java client for the first time, you will be prompted to enter the product serial number, which can be found on the CD. Once entered, you will not be prompted for it again. The non-browser client connection screen appears.



4. If you are on the same network as the B051-000, the client will locate and display it in the *Device List*. In this case, highlight the unit in the device list and click the *Login* button. If you are not on the same network as the unit, it will not be displayed in the list. You must manually enter the IP address in the *IP Address* field, then click the *Connect* button.

## Administrator Setup

- Upon clicking the *Connect* button, you will be prompted to enter a Username and Password. The default Username is *administrator* and the default Password is *password*.



- Click the *Remote View* button to initiate a remote session. Then, using the remote tool bar at the top of the screen, click the *Open GUI* icon to open the unit's administrative interface. The non-browser interface contains most of the features contained in the browser version, but are presented in a different format.
- Click the *Network* tab on the left of the screen. From here, a fixed IP address can be assigned in the same way as when using a web browser. (See steps 4 through 8 in the *Web Browser* section.)

## Administrator Setup

### IP Installer

The included CD contains a Windows-based *IP Installer* utility that can be used to obtain and edit the IP address. To use the *IP Installer* utility, the computer you are using must be running a Windows operating system and must be on the same network as the IP remote access unit. Also, the *IP Installer* setting in the *Admin Utility* must be set to *Enabled*, which it is by default. (See the ANMS section in the Owner's Manual for details)

1. Save the *IP Installer* utility file to a desired location on your computer. Double-click on the file to open the *IP Installer* utility.

Network Device IP Installer

Device list:

Device Name	Model Name	MAC Address	IP Address
-------------	------------	-------------	------------

Enumerate

Protocol: IPv4 Network adapter: MAC: 00-25-64-bd-9b-0d, IP: 172.18.12.96 Set IP

IPv4 settings:

Obtain an IP address automatically (DHCP)

Use the following IP address:

IP address: 0 . 0 . 0 . 0

Subnet mask: 0 . 0 . 0 . 0

Default gateway: 0 . 0 . 0 . 0

Obtain DNS server address automatically

Use the following DSN server addresses:

Preferred DNS server: . . .

Alternate DNS server: . . .

IPv6 settings:

Obtain an IPv6 address automatically (DHCP)

Use the following IPv6 address:

IPv6 address: [ ]

Subnet prefix length: [ ]

Default gateway: [ ]

Obtain DNS server address automatically

Use the following DSN server addresses:

Preferred DNS server: [ ]

Alternate DNS server: [ ]

2. Select the B051-000 from the *Device List*.

**Note:** If the list is empty or your device doesn't appear, click the *Enumerate* button to refresh the *Device List*. If there is more than one device in the list, use the *MAC* address on the bottom of your unit to determine the desired device.

3. To assign a fixed IP address, check the *Specify an IP address* checkbox and fill in the *IP Address*, *Subnet Mask* and *Default Gateway* fields with information appropriate for your network.
4. Click the *Set IP* button to apply the changes to the unit. The new IP address will appear in the *Device List*.
5. Click the *Exit* button to exit the *IP Installer* utility.

## Logging In to the B051-000

The B051-000 IP remote access unit can be accessed in several ways: local console, web browser, non-browser Windows or Java client. This section describes the login procedures for each of these methods.

### Local Console Login

When accessing the unit via local console, there is no login required except for what is required to access the connected computer or KVM switch. The local keyboard, monitor and mouse function the same as if they were connected directly to the computer or KVM.

### Web Browser Login

To log into the IP remote access unit via web browser, follow the steps below.

**Note:** Windows Vista and later users who intend to use the unit's Virtual Media feature must run Internet Explorer as an administrator. (See Virtual Media section in the Owner's Manual for details.)

1. Open your browser and enter the IP address of the B051-000 as given to you by your system administrator.

**Note:** For security purposes, a login string may have been set by the administrator. If so, you must include a forward slash and the login string following the IP address. For example, to access a B051-000 with an IP address of 192.168.0.60 and a login string of B051000, you would enter the URL as 192.168.0.60/B051000.

2. When logging in for the first time, a security alert appears to inform you that the device's certificate is not trusted, and asks if you want to proceed. The certificate can be trusted, but the alert is triggered because the certificate's name is not found in the browser's list of trusted certificates.

You have two options:

- If working on a computer other than your own, choose to proceed with your session, even though the certificate is not trusted.
- If working on your own computer, install the certificate by following the steps below.

**Note:** You may need to run Internet Explorer as an administrator to install the certificate.

- a. In the Security Alert dialog box, click *View Certificate*. The certificate information dialog box appears.
- b. Click *Install Certificate*.
- c. Follow the installation wizard to complete the certificate installation. The default options are recommend.
- d. When a caution screen appears asking you to confirm installing the certificate, click *Yes*.
- e. Click *Finish* to complete the installation and click *OK* to close the dialog box. The certificate is now trusted.

## Logging In to the B051-000

You may continue to receive a security alert stating that the name on the security certificate does not match the name attached to the website. Follow the steps below to correct this issue.

- a. In Internet Explorer, go to the *Tools > Internet Options* menu and click the *Advanced* tab.
- b. In the *Settings* list, scroll down and uncheck the *Warn about certificate address mismatch* setting.

**Note:** *In order for this setting to take effect, you must close out of and restart Internet Explorer.*

3. A login page appears asking you to enter a username and password. Enter in your username and password as given to you by your system administrator. If you are an administrator logging in for the first time, the default username is *administrator* and the default password is *password*.

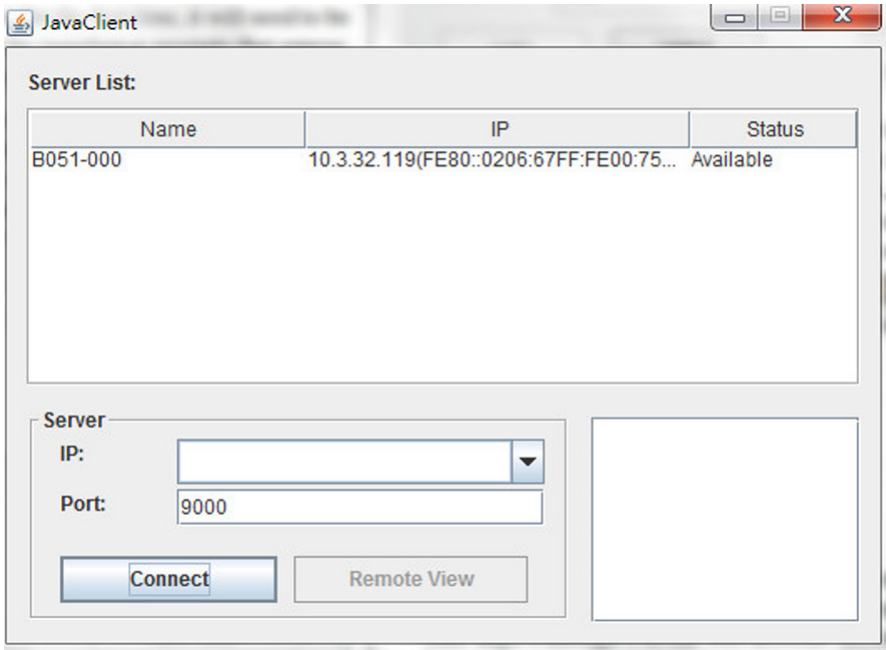
### Non-Browser Login

The included CD contains Windows and Java Client applications that allow you to remotely access the B051-000 and its *Admin Utility* without using a web browser. The applications function is the same. However, the Windows Client is designed for Windows computers, whereas the Java client is designed for either Windows or non-Windows computers. If you do not have access to the CD, obtain a copy of the Windows and/or Java Client from your system administrator.

1. Save the Windows or Java client to a desired location on your computer. Double-click on the file to open it.
2. When accessing the Windows Client for the first time, it will need to be installed on your computer. Follow the installation prompts that appear. Once installed, a Windows Client icon will appear on your desktop.
3. When accessing either the Windows or the Java client for the first time, you will be prompted to enter the product serial number, which can be found on the CD. If you do not have access to the CD, obtain the serial number from your system administrator. Once entered, you will not be prompted for it again. The non-browser client connection screen appears.

## Logging In to the B051-000

4. If you are on the same network as the B051-000, the client will locate and display it in the Device List. In this case, highlight the unit in the device list and click the *Connect* button. If you are not on the same network as the unit, it will not be displayed in the list. You must manually enter the IP address, as given to you by your system administrator, in the *IP Address* field, and then click the *Connect* button.



5. Upon clicking the *Connect* button, you will be prompted to enter a Username and Password. Enter your username and password as given to you by your system administrator. If you are an administrator logging in for the first time, the default username is *administrator*, and the default password is *password*. Click the *Remote View* button to initiate a remote session.

## Warranty and Product Registration

### 3-YEAR LIMITED WARRANTY

Seller warrants this product, if used in accordance with all applicable instructions, to be free from original defects in material and workmanship for a period of 3 years from the date of initial purchase. If the product should prove defective in material or workmanship within that period, Seller will repair or replace the product, in its sole discretion. Service under this Warranty can only be obtained by your delivering or shipping the product (with all shipping or delivery charges prepaid) to: Tripp Lite; 1111 W. 35th Street; Chicago IL 60609; USA. Seller will pay return shipping charges. Visit [www.tripplite.com/support](http://www.tripplite.com/support) before sending any equipment back for repair.

THIS WARRANTY DOES NOT APPLY TO NORMAL WEAR OR TO DAMAGE RESULTING FROM ACCIDENT, MISUSE, ABUSE OR NEGLIGENCE. SELLER MAKES NO EXPRESS WARRANTIES OTHER THAN THE WARRANTY EXPRESSLY SET FORTH HEREIN. EXCEPT TO THE EXTENT PROHIBITED BY APPLICABLE LAW, ALL IMPLIED WARRANTIES, INCLUDING ALL WARRANTIES OF MERCHANTABILITY OR FITNESS, ARE LIMITED IN DURATION TO THE WARRANTY PERIOD SET FORTH ABOVE; AND THIS WARRANTY EXPRESSLY EXCLUDES ALL INCIDENTAL AND CONSEQUENTIAL DAMAGES. (Some states do not allow limitations on how long an implied warranty lasts, and some states do not allow the exclusion or limitation of incidental or consequential damages, so the above limitations or exclusions may not apply to you. This Warranty gives you specific legal rights, and you may have other rights which vary from jurisdiction to jurisdiction).

Tripp Lite; 1111 W. 35th Street; Chicago IL 60609; USA

WARNING: The individual user should take care to determine prior to use whether this device is suitable, adequate or safe for the use intended. Since individual applications are subject to great variation, the manufacturer makes no representation or warranty as to the suitability or fitness of these devices for any specific application.

### PRODUCT REGISTRATION

Visit [www.tripplite.com/warranty](http://www.tripplite.com/warranty) today to register your new Tripp Lite product. You'll be automatically entered into a drawing for a chance to win a FREE Tripp Lite product!\*

\* No purchase necessary. Void where prohibited. Some restrictions apply. See website for details.

### FCC Part 68 Notice (United States Only)

If your Modem/Fax Protection causes harm to the telephone network, the telephone company may temporarily discontinue your service. If possible, they will notify you in advance. If advance notice isn't practical, you will be notified as soon as possible. You will be advised of your right to file a complaint with the FCC. Your telephone company may make changes in its facilities, equipment, operations or procedures that could affect the proper operation of your equipment. If it does, you will be given advance notice to give you an opportunity to maintain uninterrupted service. If you experience trouble with this equipment's Modem/Fax Protection, please visit [www.tripplite.com/support](http://www.tripplite.com/support) for repair/warranty information. The telephone company may ask you to disconnect this equipment from the network until the problem has been corrected or you are sure the equipment is not malfunctioning. There are no repairs that can be made by the customer to the Modem/Fax Protection. This equipment may not be used on coin service provided by the telephone company. Connection to party lines is subject to state tariffs. (Contact your state public utility commission or corporation commission for information.)

### WEEE Compliance Information for Tripp Lite Customers and Recyclers (European Union)



Under the Waste Electrical and Electronic Equipment (WEEE) Directive and implementing regulations, when customers buy new electrical and electronic equipment from Tripp Lite they are entitled to:

- Send old equipment for recycling on a one-for-one, like-for-like basis (this varies depending on the country)
- Send the new equipment back for recycling when this ultimately becomes waste

### Warning!

Use of this equipment in life support applications where failure of this equipment can reasonably be expected to cause the failure of the life support equipment or to significantly affect its safety or effectiveness is not recommended.

Tripp Lite has a policy of continuous improvement. Product specifications are subject to change without notice.

# TRIPP·LITE



1111 W. 35th Street, Chicago, IL 60609 USA • [www.tripplite.com/support](http://www.tripplite.com/support)