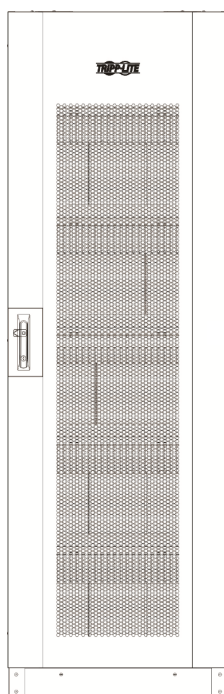


# Owner's Manual

## Extended-Run Battery Cabinet

Models: BP480V370, BP480V370NB

Not suitable for mobile applications.



1111 W. 35th Street, Chicago, IL 60609 USA • [www.tripplite.com/support](http://www.tripplite.com/support)

Copyright © 2018 Tripp Lite. All rights reserved.

# Table of Contents

<b>1. Introduction</b>	<b>2</b>	<b>5. Maintenance</b>	<b>7</b>
Features	2	<b>5.1 Maintenance Schedule</b>	7
<b>2. Important Safety Instructions</b>	<b>3</b>	5.1.1 Quarterly Check	7
Installation and Location Warnings	3	<b>6. Mechanical Data</b>	<b>8</b>
Connection Warnings	3	<b>6.1 Physical Measurements</b>	8
Battery Warnings	4	<b>6.2 Battery Requirements</b>	9
<b>3. Battery Cabinet Installation</b>	<b>4</b>	<b>7. Installation</b>	<b>10</b>
<b>3.1 Preparation</b>	4	<b>7.1 Battery Pre-Installation</b>	<b>10</b>
<b>3.2 Transportation</b>	5	<b>7.2 Cable Jumpers and Internal Wiring</b>	<b>11</b>
<b>3.3 Mechanical Check</b>	5	7.2.1 Included Cable Jumpers Specifications	11
<b>3.4 Internal Wiring (Typical)</b>	5	7.2.2 Battery Cabinet Internal Wiring	12
<b>3.5 Preliminary Electrical Check</b>	5	7.2.3 Battery Cabinet Parallel Installation	13
(After Battery Installation)		<b>7.3 Battery Installation</b>	<b>14</b>
<b>3.6 Battery Cabinet Placement</b>	5	<b>7.4 Installation Specifications</b>	<b>23</b>
<b>3.7 Electrical Connection</b>	6	7.4.1 Installation and Floor Loading Information	23
<b>3.8 Final Electrical Check</b>	6	7.4.2 Recommended Torque	23
<b>4. Operation and Charging</b>	<b>7</b>	<b>8. Storage and Service</b>	<b>23</b>
<b>4.1 Determine Charging Voltages</b>	7	<b>9. Warranty and Product Registration</b>	<b>24</b>
<b>4.2 Initial Charge</b>	7	<b>Español</b>	<b>25</b>
<b>4.3 Operational Check</b>	7	<b>Русский</b>	<b>49</b>

## 1. Introduction

Tripp Lite's Extended-Run Battery Cabinets connect to SmartOnline® UPS Systems to provide long-lasting battery backup for data centers, telecommunications, networks, industrial facilities, security, emergency systems and other mission-critical applications that require high capacity, high availability and extended runtime.

### Features

- Battery cabinets are available in two options: BP480V370 and BP480V370NB. The BP480V370 model includes jumpers, terminals, breaker, and 40 x of CSB GPL 121000 batteries in a separate pallet for a complete installation. The BP480V370NB model is a similar kit but without batteries, allowing users the flexibility to purchase batteries for the cabinet separately.
- Battery cabinets are available in voltages of 480V DC and capacities option of 100Ah @ C20 to 1.67VPC.
- Battery cabinets contain multiple 12V DC batteries connected in series for higher voltages. Up to 3 battery cabinets may be connected in parallel for increased runtime.
- Each battery cabinet contains 6 shelves with 5, 6, or 7 individual batteries (maximum) per shelf.
- Hinged lockable door facilitates access to batteries for periodic maintenance.
- A minimum of 130 mm clearance is located above the individual batteries for access to terminals.
- Battery cabinet is constructed of heavy gauge steel.
- Baked powder coat finish provides chip and corrosion resistance.
- Battery cabinet ships bolted to pallet with a double layer of protective stretch wrap and integrated corner and top protection.
- Appropriate ventilation and convection cooling of individual batteries is provided via spacing between batteries. Front and rear vents allow the free flow of warmer air out of the battery cabinet.
- A molded case circuit breaker is provided for overcurrent protection.
- User-supplied power output cables can be fed into the battery cabinet via built-in conduit knockouts on top of the cabinet.
- For improved safety, higher power density and minimized maintenance, the cabinet systems use Valve-Regulated Lead-Acid (VRLA) recombinant batteries. The electrolyte in these batteries is immobilized in either an absorbent mat separator or a gelling medium, eliminating the spilling hazards and maintenance requirements of free liquid electrolyte. There is no need to add water or measure specific gravity.
- Because the batteries are recombinant cells that employ an oxygen recombination cycle, minimal gasses are emitted during normal float charging. Each cell contains an individual valve, which releases the gas products from overcharge and prevents pressure build-up within the cell.

## 2. Important Safety Instructions

### SAVE THESE INSTRUCTIONS

All sections of this manual contain instructions and warnings that must be followed during the installation and operation of the battery cabinet described in this manual. Read ALL instructions thoroughly before attempting to move, install or connect your battery cabinet.

Failure to heed these warnings may affect your warranty and cause serious property damage and/or personal injury.



### **DANGER! LETHAL HIGH VOLTAGE HAZARD!**

All wiring should be performed by a qualified electrician in accordance with the warnings in this manual and all applicable electrical and safety codes. Incorrect wiring may cause serious personal injury and property damage.

### Installation and Location Warnings

- Install the battery cabinet in a controlled indoor environment, away from moisture, temperature extremes, flammable liquids and gasses, conductive contaminants, dust and direct sunlight.
- Install the battery cabinet in a level, structurally sound location.
- The battery cabinet is extremely heavy. Exercise caution when moving or lifting the unit.
- Operate the battery cabinet at indoor temperatures between 0° C and 40° C only. For best results, maintain an ambient indoor temperature of 25° C.
- Allow adequate space around the front and rear of the battery cabinet for proper ventilation. Do not block, cover or insert objects into the battery cabinet's external ventilation openings.
- Do not place any object on the battery cabinet, especially containers of liquid.
- Do not attempt to stack the battery cabinet. Attempting to stack the battery cabinet may cause permanent damage and create a potential for serious personal injury.
- Do not attempt to unpack or move the battery cabinet without assistance. Use appropriate handling equipment rated to bear the weight and bulk of the battery cabinet, such as freight elevators, pallet jacks and forklifts. (Fully extend forks under load. Spread forks to maximum possible width under load. Lift cabinet from bottom only. Wear safety shoes.)
- For emergency use, install a fire extinguisher rated for energized electrical equipment fires (Class C rating or exact equivalent, with a non-conductive extinguishing agent) near the battery cabinet.

### Connection Warnings

- The battery cabinet contains hazardous high voltages that have the potential to cause personal injury or death from electric shock.
- The battery cabinet has its own energy source. The output terminals may be live, even when the battery cabinet is not connected to a UPS system.
- The battery cabinet must be suitably grounded according to all applicable electrical wiring regulations.
- Use of this equipment in life support applications where failure of this equipment can reasonably be expected to cause the failure of the life support equipment or to significantly affect its safety or effectiveness is not recommended.
- De-energize all input and output power sources before installing cables or making electrical connections.
- Use flexible cable of sufficient length to permit battery cabinet servicing.
- Use ferrule caps to cover termination cables and prevent frayed ends from shorting on terminal blocks. Use cabling rated VW-1, FT-1 or better. Use cable sleeves and connector clamps.
- Confirm all cables are marked correctly according to their purpose, polarity and diameter.
- Observe proper polarity by following the positive and negative markings on the unit. Failure to observe proper polarity may damage the batteries and create a serious risk of personal injury and property damage.
- Wiring and assembly should be performed by trained, qualified electricians only. Refer to the UPS unit's Owner's Manual for wire sizing.

## 2. Important Safety Instructions

### Battery Warnings

- The battery cabinet does not require routine maintenance by the user. There are no user-serviceable parts inside. Only qualified, knowledgeable service personnel familiar with all required precautions should open the access panels for any reason. Keep unauthorized personnel away from batteries.
- The battery cabinet contains valve-regulated recombinant lead-acid (VRLA) batteries. Do not attempt to add water to these batteries or sample the electrolyte specific gravity.
- VRLA batteries can contain an explosive mixture of hydrogen gas. DO NOT SMOKE when near batteries. DO NOT cause flames or sparks near batteries. Discharge static electricity from body before touching batteries. DO NOT open or mutilate batteries—released electrolyte is harmful to the skin and eyes and may be toxic. DO NOT dispose of batteries in a fire—they may explode.
- Batteries present a risk of electrical shock and burns from high short-circuit current. Battery connection or replacement should be performed only by qualified service personnel observing proper precautions. Use tools with insulated handles. Remove watches, rings or other metal objects. Wear rubber gloves and boots. Do not short or bridge the battery terminals with any object. Do not lay tools or metal parts on top of batteries.
- Replace batteries with equivalent batteries (same number and type) available from Tripp Lite.
- The batteries are recyclable. Refer to local codes for disposal requirements. Do not dispose of batteries except through approved channels in accordance with all applicable local, state and national regulations.
- Do not connect or disconnect batteries when the UPS system is operating from the battery supply or when the unit is not in bypass mode. Disconnect the charging source prior to connection or disconnecting battery terminals.
- If the charging source remains off for an extended period of time, it should be turned on periodically to allow the batteries to recharge. The charging source should be turned on and the batteries should be recharged at least one uninterrupted 24-hour period every 3 months. Failure to recharge the batteries periodically may cause permanent battery damage.
- Allow batteries to charge uninterrupted for 24 hours after installation.
- **Do not attempt to service the integrated battery charger (included with “C” models only). Contact Tripp Lite if service is required.**

#### Note on Labeling

These symbols may appear on the product label:

V~: AC Voltage

V==: DC Voltage

⊕: Ground

+: Battery Positive

-: Battery Negative

Refer to the product label for model numbers, voltage ratings and other important information.

## 3. Battery Cabinet Installation



**Read Section 2 – Important Safety Instructions Before Installation**



### 3.1 Preparation

- At your site, prepare to off-load the battery cabinet from the delivery truck and transport it to the final installation location. Consider both the packaged weight and dimensions.
- Make sure the floor can support the load of the specific battery cabinet being installed. The battery cabinet must be installed in a structurally sound area with a level floor that is able to bear the weight of the battery cabinet and other equipment that will be installed nearby.
- Draw a wiring schematic representing the cables connected between the battery cabinet's output terminal blocks and any external disconnect device, junction box and/or load/rectifier.
- If you plan to store the battery cabinet for an extended period before or after installation, follow the instructions in **Section 8. Storage and Service**.

## 3. Battery Cabinet Installation

### 3.2 Transportation

1. Inspect the shipping container(s) for visible damage (do not remove the stretch wrap around the unit until it has been transported to the final installation location). Confirm that the model name and rating match the unit you ordered. If you determine the unit has been damaged during shipping or if anything appears to be missing, contact Tripp Lite for assistance. Do not attempt to use the unit if it has been damaged or mishandled.
2. Do not attempt to move or unpack the battery cabinet without assistance. Use appropriate handling equipment rated to bear the weight and bulk of the battery cabinet, such as freight elevators, pallet jacks and forklifts. (Fully extend forks under load. Spread forks to maximum possible width under load. Lift cabinet from bottom only. Wear safety shoes.) Confirm load limits for freight elevators, handling equipment and floors along the transport route are not exceeded by the combined weight of the packaged battery cabinet, handling equipment and personnel. Confirm that the packaged unit will pass through any doorways along the intended route.
3. The battery cabinet is secured with stretch wrap to protect it during shipping and movement within a facility. Remove the stretch wrap from the battery cabinet when the unit is in the final installation location—not before.

### 3.3 Mechanical Check

While the assembled cabinet battery system is still on the shipping pallet, inspect all sides for impact or other damage.

1. Open the front door of the battery cabinet.
2. Confirm none of the individual batteries included on a separate pallet are damaged (applies to BP480V370 model only).
3. Confirm that none of the internal parts (terminal blocks, circuit breakers and other parts) have been damaged.
4. Note the individual battery model number. Refer to **Section 6.2** for the battery's terminal type and recommended torque.
5. Use insulated tools to tighten all battery terminal connections to the recommended torque.
6. Use insulated tools to tighten the cables from the positive and negative output terminals at the end batteries to the circuit breaker.

### 3.4 Internal Wiring (Typical)

- Battery cabinets use multiple 12V DC batteries connected in series to provide nominal DC voltage of 480V DC ( $\pm 240V$  DC).
- Internal cabling is sized for specific application load currents. Do not use any other cable size other than the one provided in the battery cabinet.
- Each battery cabinet shelf includes a specific wiring diagram.
- All circuit breakers are in the middle tier of the battery cabinet.
- All load connection polarities will be marked by a POS (+) or NEG (-) label (or an "N" center label for  $\pm 240V$  DC strings).
- All battery cabinets are provided with a branch circuit overcurrent protection device and may be wired directly to the load or UPS.

### 3.5 Preliminary Electrical Check (After Battery Installation)

1. Reset the circuit breaker to the "On" position and measure the battery cabinet output voltage at the output load connection points. Measure voltage with a digital voltmeter.
2. The measured voltage should approximately match the voltage listed on the battery cabinet nameplate. The battery cabinet output voltage will be equal to the number of individual batteries installed in series multiplied by the unit voltage. For example: 40 batteries x 12.84V DC = 513.6V DC output.
3. If the measured voltage is significantly different than anticipated, determine the cause (e.g. low charge, shorted cell, reversed battery, faulty wiring) and correct the voltage disparity before proceeding.
4. Set the circuit breaker to the "off" position as a safety precaution during installation.

### 3.6 Battery Cabinet Placement

Place the battery cabinet in a cool location with free airflow and away from direct heat sources. The lifespan and performance of a battery may be dramatically affected by elevated temperature, decreasing 50% for each 8.25° C above 25° C.

1. Prepare the surface where the cabinet will be placed. The surface must be clean, flat and able to support the battery cabinet and other equipment installed nearby. See **Section 7.4** for floor loading specifications.
2. Allow adequate clearance around the front and rear of the battery cabinet for ventilation and maintenance. The front door must be accessible to allow easy access to internal batteries, internal fuses and other overcurrent protection devices. See **Section 6.1** for dimensions and battery cabinet measurements.
3. If the cabinet will be anchored to the floor, install appropriate anchor bolts in the mounting hole located at the bottom of the cabinet. Use washers to create a level surface between the mounting areas around the anchor bolts.
4. Using extreme caution, remove the bolts securing the battery cabinet to the shipping pallet.

## 3. Battery Cabinet Installation

5. Forklift forks should be at maximum width within the cabinet clearance opening and fully inserted to prevent tipping. Lift cabinet from bottom only. Be careful not to damage the sheet metal floor of the cabinet with the forks.
6. If the battery cabinet will be secured to the floor, carefully align and lower the battery cabinet down on the floor anchor bolts and secure it in place.
7. If the cabinet will not be secured to the floor, lower it into the designated space and then level it using shims. Leveling does not affect performance, but does align the battery cabinet with other equipment in the facility.

### 3.7 Electrical Connection



#### **DANGER! LETHAL HIGH VOLTAGE HAZARD!**

**All wiring should be performed by a qualified electrician in accordance with the warnings in this manual and all applicable electrical and safety codes. Incorrect wiring may cause serious personal injury and property damage.**

- The battery cabinet is connected to the load through a DC circuit breaker. This allows the battery to disconnect from the load and charger for maintenance and/or repair.
- The DC molded case circuit breakers are CE approved for branch circuit protection. If replacement is required, CE approved components with the same voltage and current rating must be used.
- The size of the load connection cables must consider maximum allowable voltage drop as well as the cables' continuous ampere capacity and anticipated ampere discharge rate of the individual battery cabinet. A maximum voltage drop of 1.5V DC in the load connection cables is recommended. Refer to the UPS unit's Owner's Manual for recommended wire sizes.
- Refer to all applicable local, state and national codes for appropriate cable size and ratings.
- External circuit protection devices (fuses or circuit breakers) must consider the discharge rate of the battery, the wiring to be protected and the DC short circuit current of the battery.

After performing the installation procedures in **Section 7.:**

1. Open the front door of the battery cabinet to access internal components. Use a digital voltmeter when voltage measurements are required.
2. Determine if the battery has been inadvertently grounded by resetting the circuit breaker to the "On" position and measuring the voltage between the battery cabinet grounding lug and the positive load connection point within the cabinet. This voltage should measure 0 (zero) VDC. If the measured voltage is not zero, determine the cause and correct before proceeding.
3. Return the internal circuit breaker to an open "Off" position as a safety precaution while connecting the output cables. Doing so prevents damage in the event the cables are accidentally shorted.
4. The top of the battery cabinet includes knockouts for load connection cable entry. Punch out the appropriate knockout and connect the conduit or cable bushing.
5. The output circuit breaker accommodates cables up to 300 mm<sup>2</sup>.
6. Connect an appropriate equipment grounding cable to the grounding lug located on the top of the battery cabinet.
7. Feed the positive and negative cables (and "N" center, if equipped) from the open external disconnect switch or the UPS battery field wiring terminals through the conduit/cable bushing. Connect to the respective output terminals inside the battery cabinet.

### 3.8 Final Electrical Check

Before closing any connecting circuit breaker or disconnect switch, complete these verification steps:

1. Verify the battery cabinet output voltage is correct.
2. If battery cabinets will be operated in parallel, verify that the individual system output voltages match within 2V DC.
3. Verify the voltage measured between either output terminal and the battery cabinet ground is zero.
4. If any of the above verification steps show an irregularity, determine and correct the cause before proceeding.
5. Reset the circuit breaker to the "On" position.

## 4. Operation and Charging

### 4.1 Determine Charging Voltages

To determine the appropriate equalization (freshening) charge voltage and float charge voltage, multiply the number of batteries connected in series in the battery cabinet by the recommended charging voltage per unit.

**For example:**

A +/- 240V DC cabinet containing 40 CSB GPL12100\* batteries in series would use the following charging voltages:

Float Charge Voltage = 20 x (13.5 to 13.8V DC/unit average) = +/- 270 to 276V DC

### 4.2 Initial Charge

After the correct charging voltages have been calculated, follow these steps:

1. Adjust the charger/rectifier equalization and float voltage outputs to the appropriate level.
2. Place the charger/rectifier in equalization mode. Tripp Lite SmartOnline UPS units adjust the charging voltage level automatically based on present battery voltage.
3. Close the disconnect switch/circuit breaker connection from the charger/rectifier to the battery cabinet(s) and start a 24-hour freshening charge at the equalization charge.
4. After a few minutes on charge, monitor the voltage across several of the individual batteries to assure they are charging at the proper value.
5. Following completion of the freshening charge, place the charger/rectifier in float charge mode. Tripp Lite SmartOnline UPS units adjust the charging voltage level automatically based on the status of the battery voltage.
6. After the battery cabinet has been on float for an additional 1 to 24 hours, complete the operational check (see **Section 4.3** below).

### 4.3 Operational Check

1. Measure and record the total system float voltage. Measure at the battery terminals.
2. Measure and record the system float current using a clamp-on ammeter.
3. Measure and record the float voltage of individual battery units.
4. Measure and record the temperature of several batteries. Measure battery temperature with a digital thermometer by placing the surface thermocouple on the flat surface of the negative terminal—not the “L” connection surface. An infrared temperature monitor may also be used.
5. **Optional:** Perform impedance and conductance tests on individual battery units. These tests require special equipment, but the data can be useful in trending the system over time or identifying suspect units during later periodic checks. It may be necessary to disconnect the battery system from the charger/load during these checks.

## 5. Maintenance

The battery cabinet contains valve-regulated recombinant lead-acid (VRLA) batteries, which are maintenance-free relative to the electrolyte. You cannot add water to these batteries or sample the electrolyte specific gravity. It is necessary, however, to periodically check the charging voltage, temperature and connections of the individual battery units.

### 5.1 Maintenance Schedule

#### 5.1.1 Quarterly Check

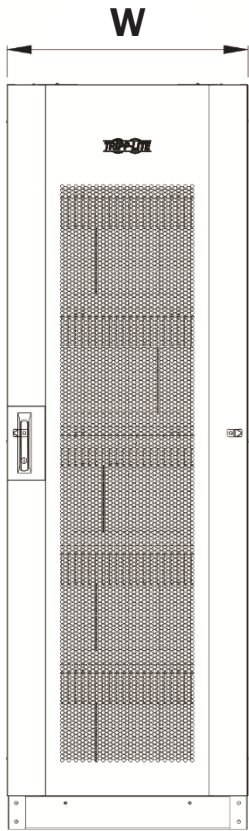
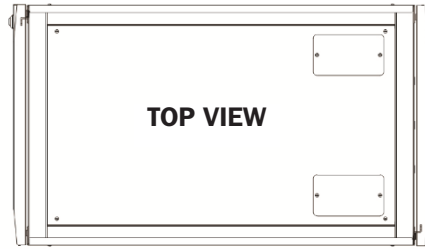
Quarterly maintenance by qualified service personnel is recommended.

## 6. Mechanical Data

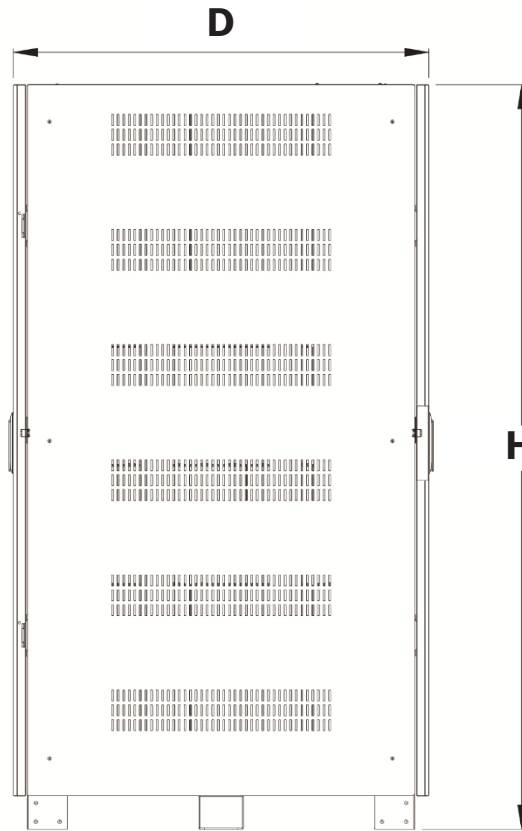
### 6.1 Physical Measurements

Dimensions (H x W x D): 2005 x 647 x 1100 mm

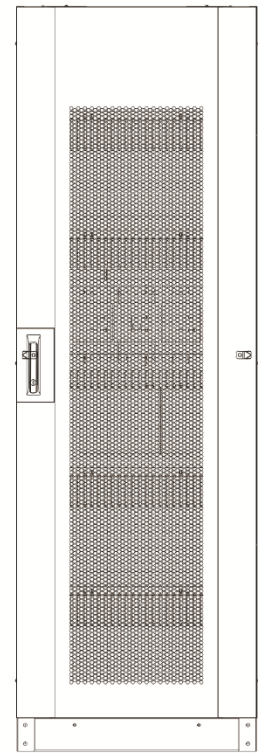
Empty Cabinet Weight: 487 lb. / 221 kg



FRONT VIEW

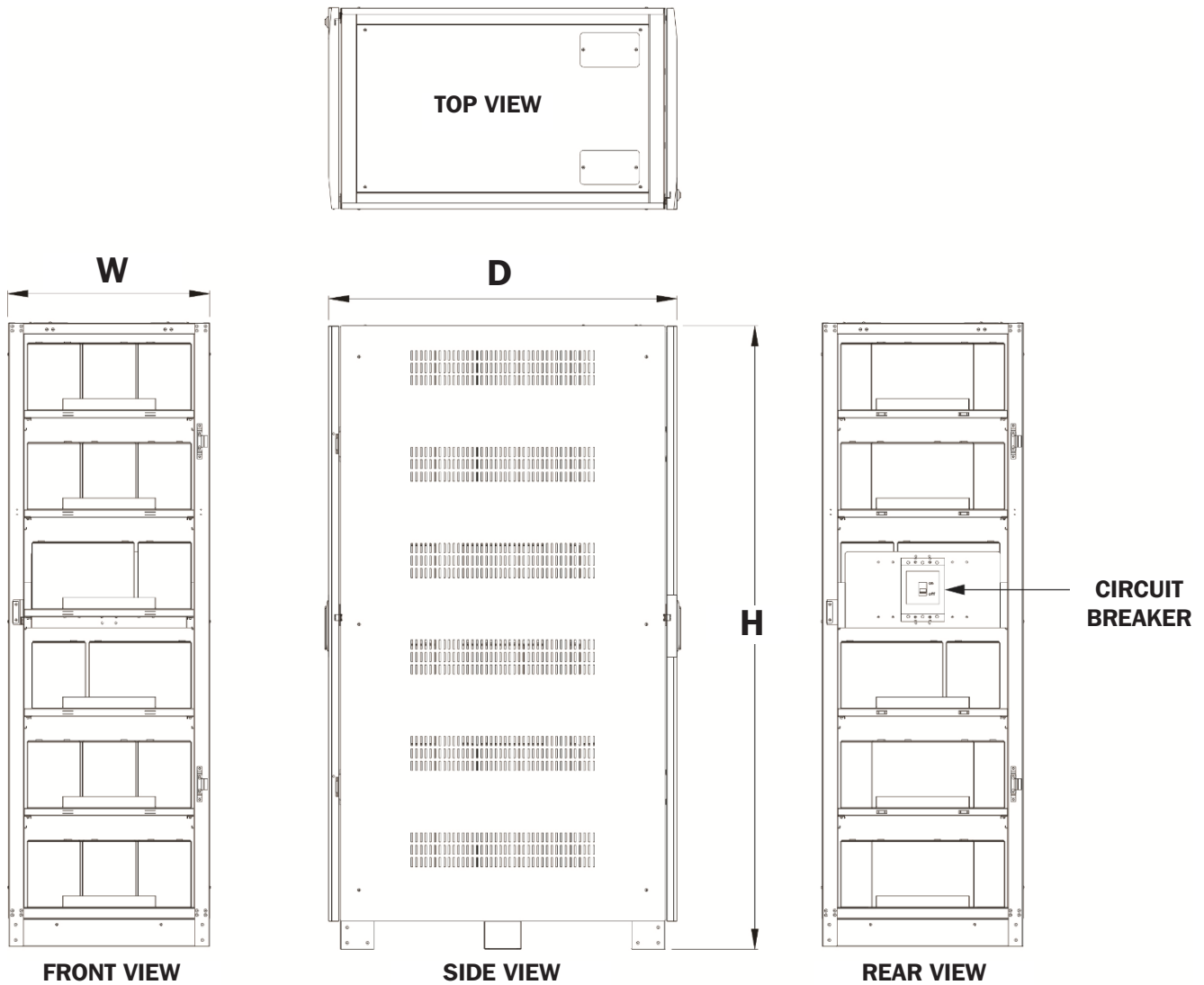


SIDE VIEW





## 6. Mechanical Data



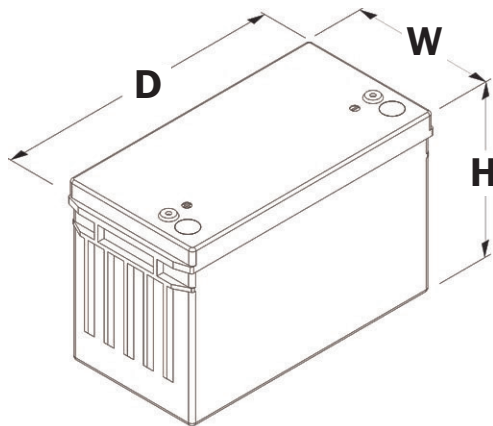
### 6.2 Battery Requirements

Lead-Acid Cell Type and Quantity: 12V 100Ah x 40 Batteries

Lead-Acid Battery Maximum Size (H x W x D): 224 x 173 x 343 mm

Terminal Type: M6 Bolt

Terminal Torque (applies to CSB GPL 121000 model): 138.6 kgf•cm/13.58 N•m



## 7. Installation



**Battery installation should only be performed by qualified service personnel.**

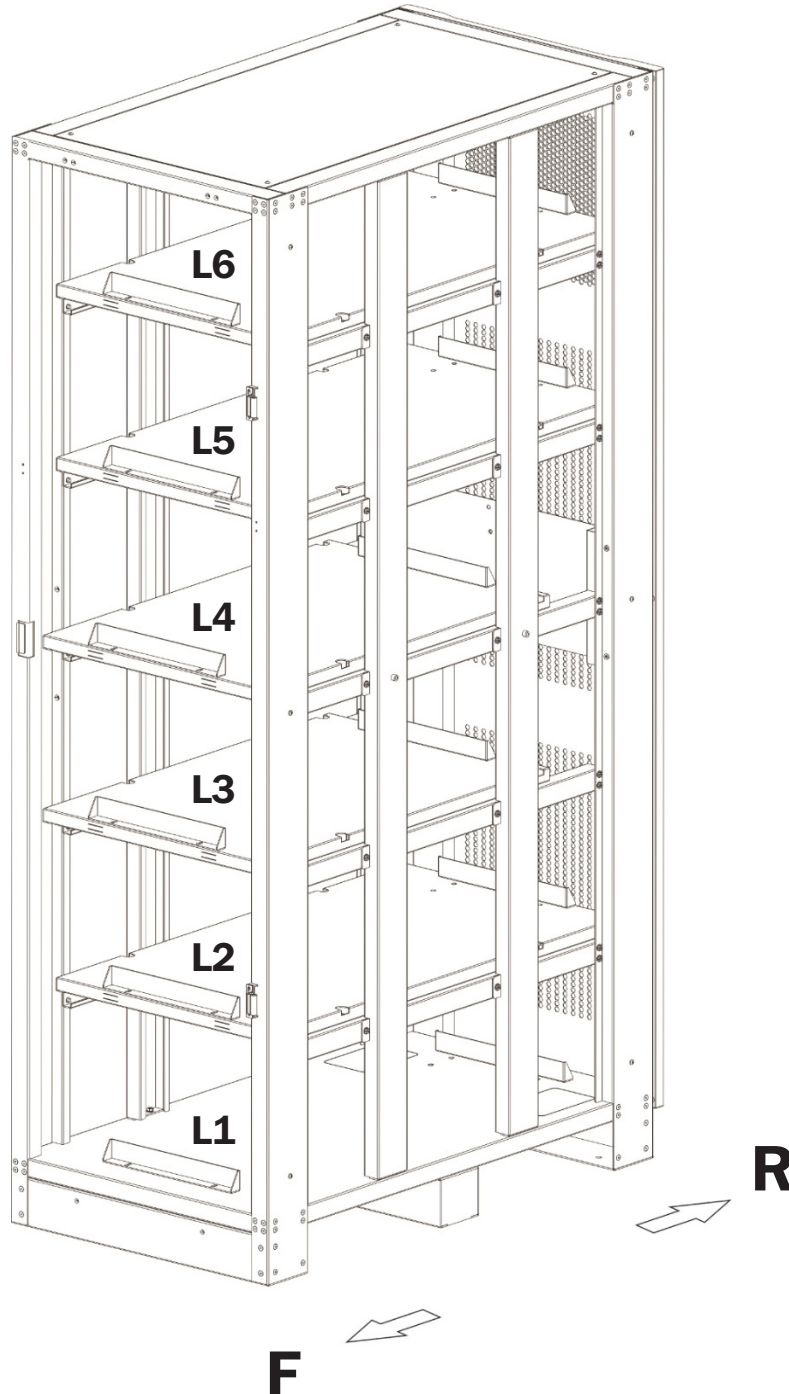
### 7.1 Battery Pre-Installation

**Battery cabinet:**

The “F” marks the front side of the battery cabinet; the “R” marks the rear side of battery cabinet.

**Battery shelf structure:**

The cabinet includes 6 shelves total from L1 (bottom) to L6 (top).

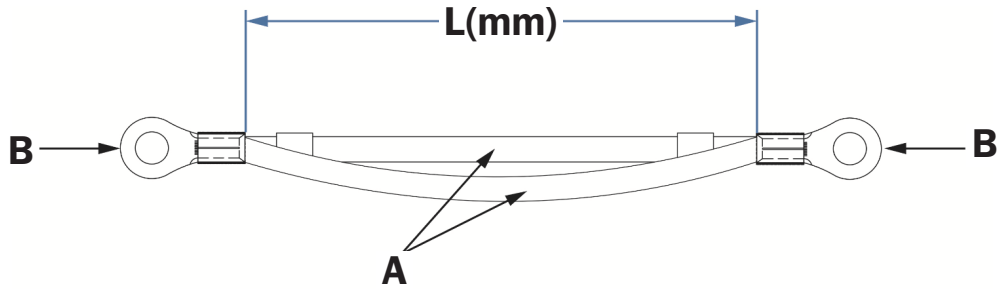


# 7. Installation

## 7.2 Cable Jumpers and Internal Wiring

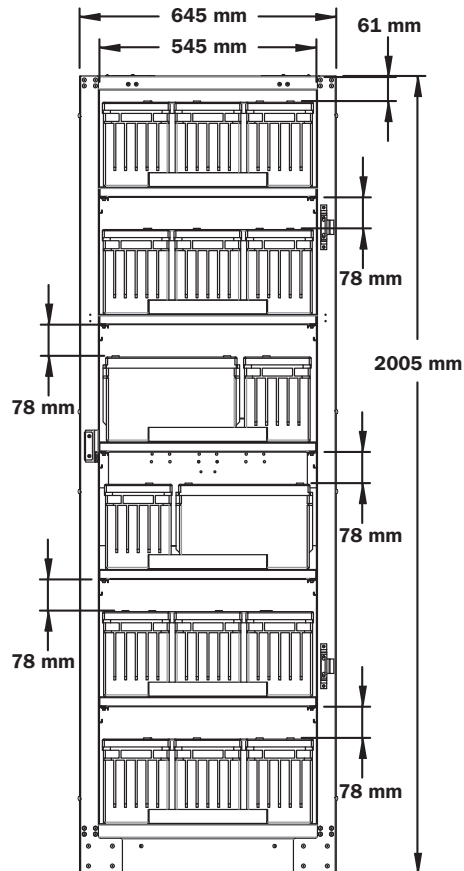
### 7.2.1 Included Cable Jumpers Specifications

1/0 AWG double wire



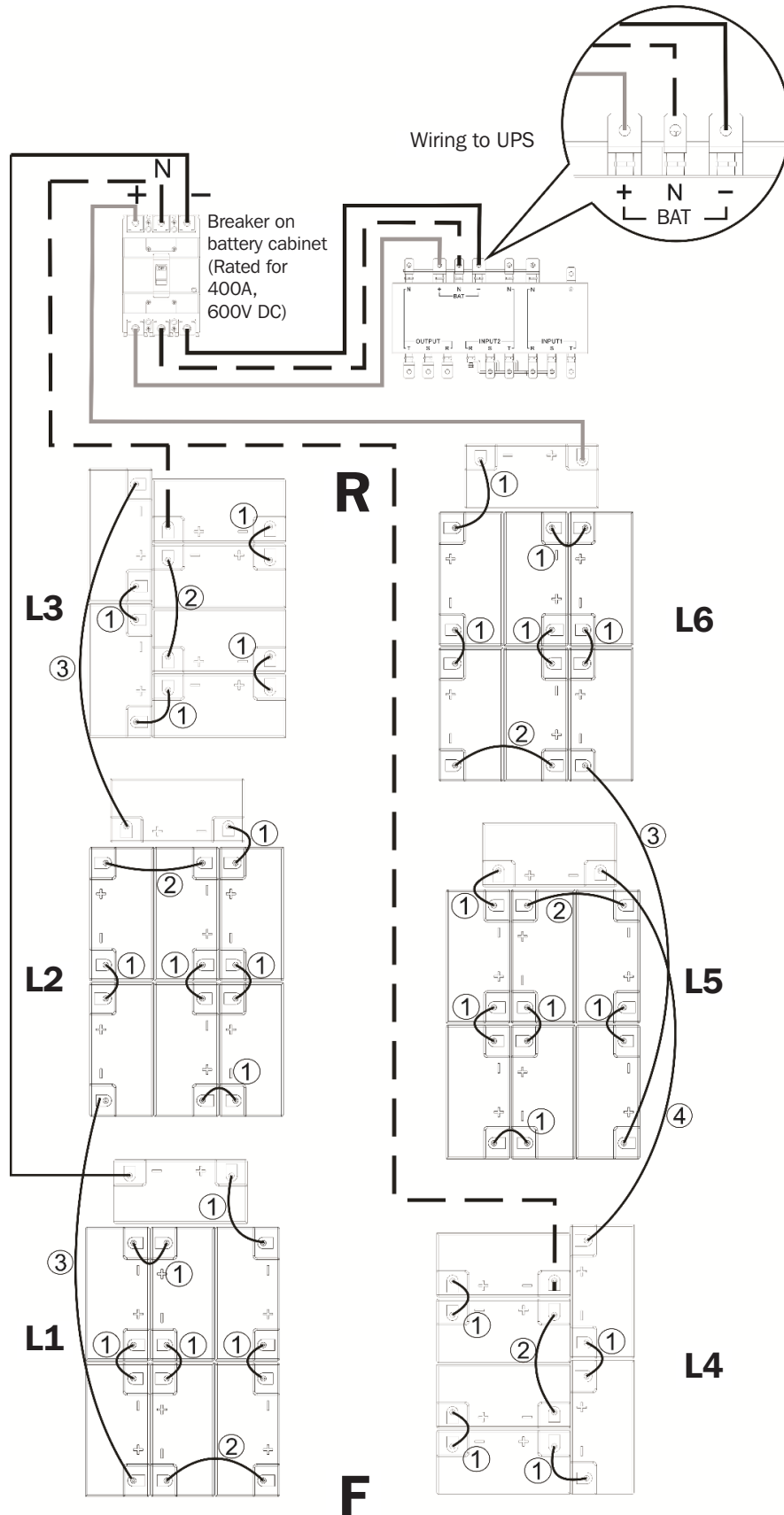
ITEM	DESCRIPTION	UNIT	CABLE LENGTH (mm)	QUANTITY	CABLE NUMBER
A	UL 1015#11/0AWG BLACK	mm	250	28	①
A	UL 1015#11/0AWG BLACK	mm	300	6	②
A	UL 1015#11/0AWG BLACK	mm	550	3	③
A	UL 1015#11/0AWG BLACK	mm	850	1	④
A	UL 1015#11/0AWG BLACK	mm	550	1	N
A	UL 1015#11/0AWG BLACK	mm	800	1	N
A	UL 1015#11/0AWG BLACK	mm	1250	1	BAT+
A	UL 1015#11/0AWG BLACK	mm	1200	1	BAT-
B	L/W PVC UL1015 TS #1/0 BLK	PCS	—	84	—

### Distance between battery shelves



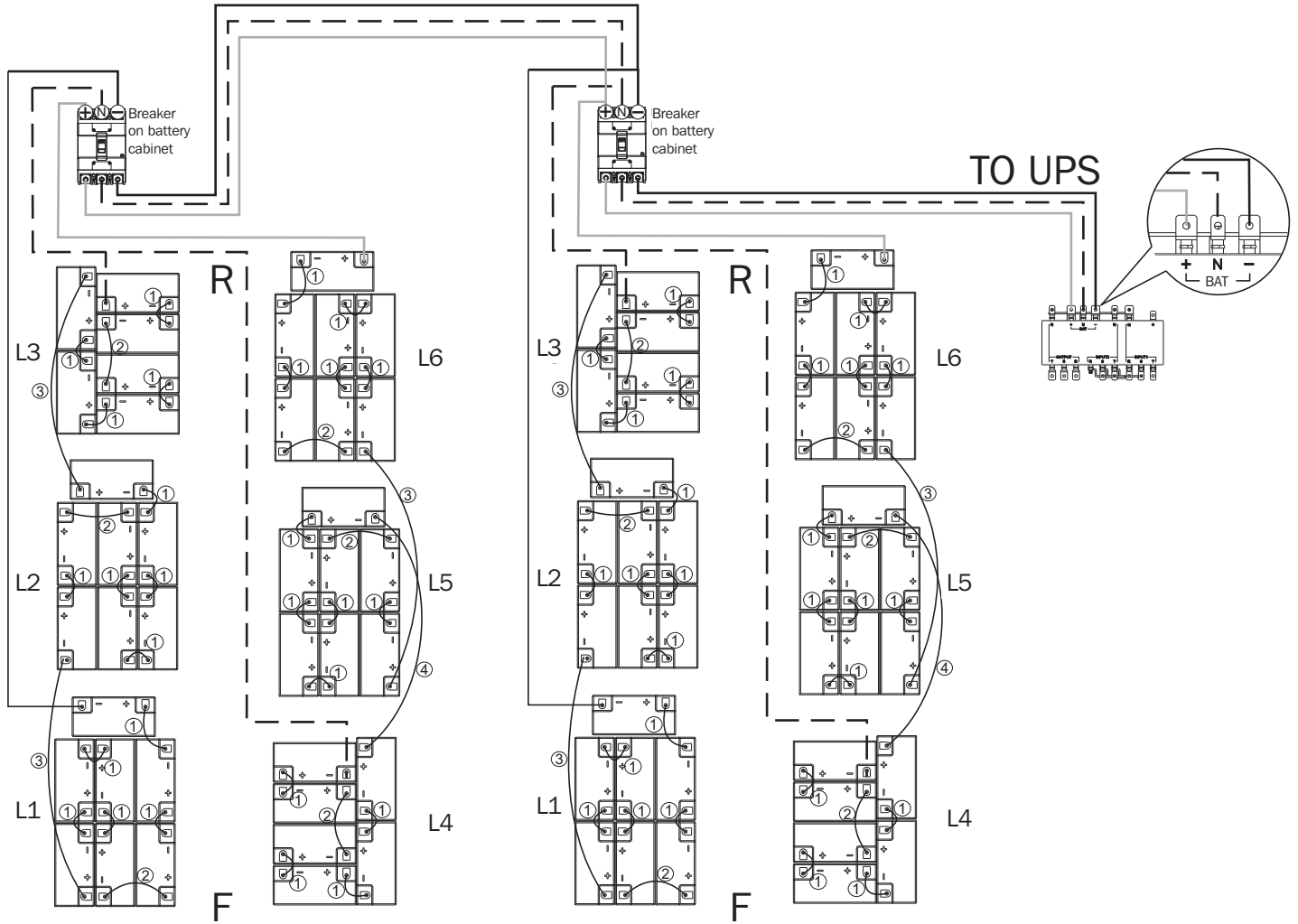
# 7. Installation

## 7.2.2 Battery Cabinet Internal Wiring



# 7. Installation

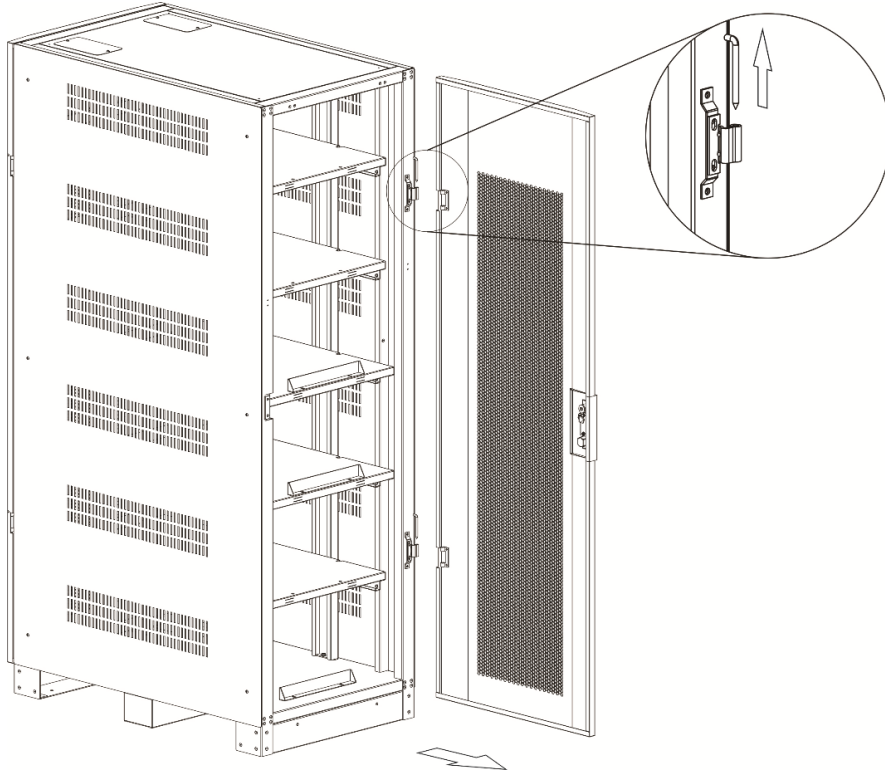
## 7.2.3 Battery Cabinet Parallel Installation



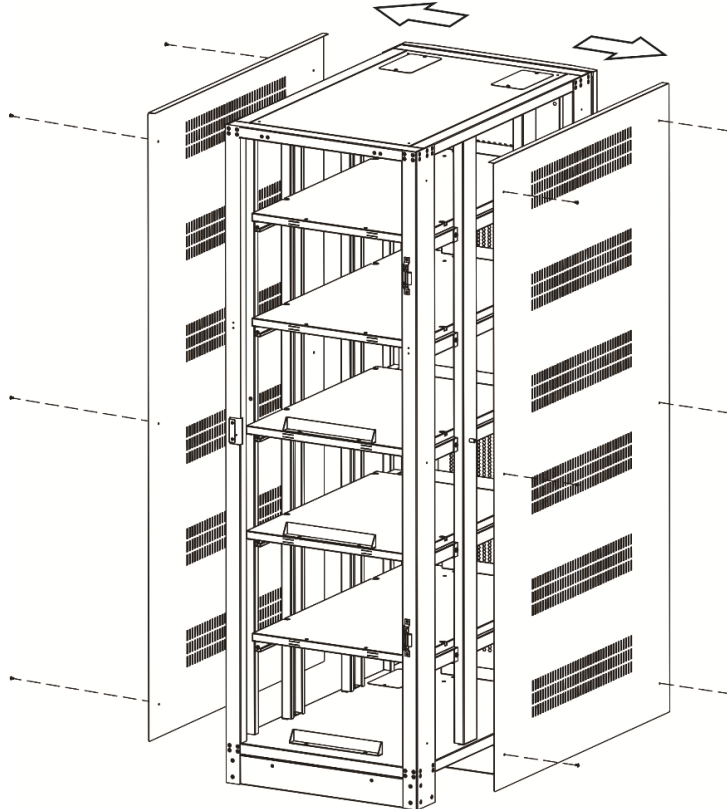
## 7. Installation

### 7.3 Battery Installation

1. Pull out the latch from the front door hinge. Remove door.

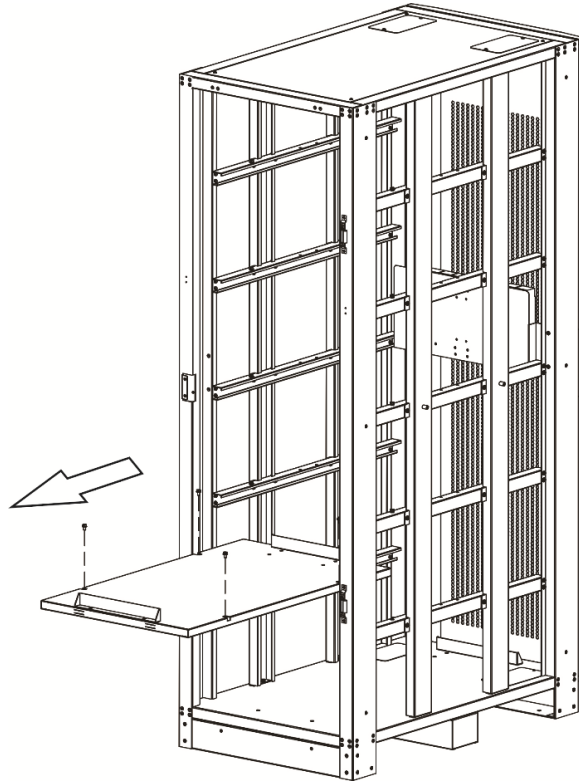


2. Unscrew the M4 screws (12 pcs.) with a Phillips screwdriver and remove the side panels.

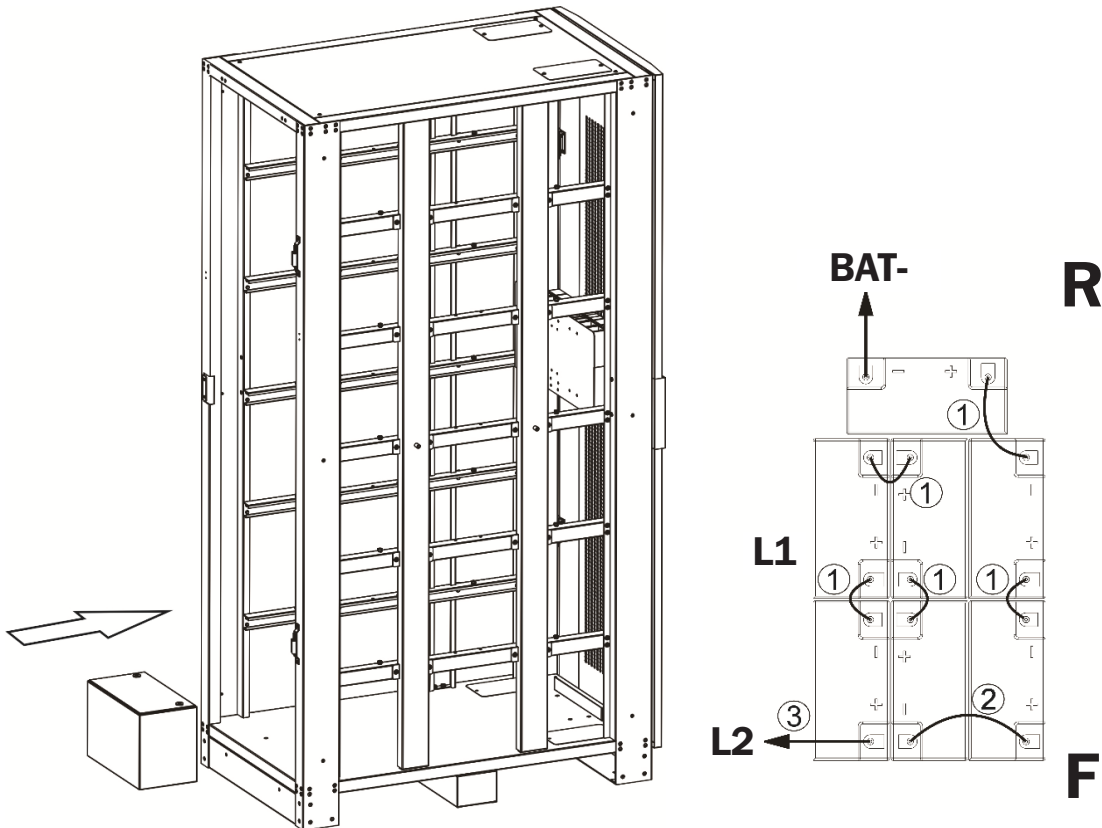


## 7. Installation

3. Unscrew the M6 screws (4 pcs.) from each battery tray. Remove all the battery trays from cabinet.

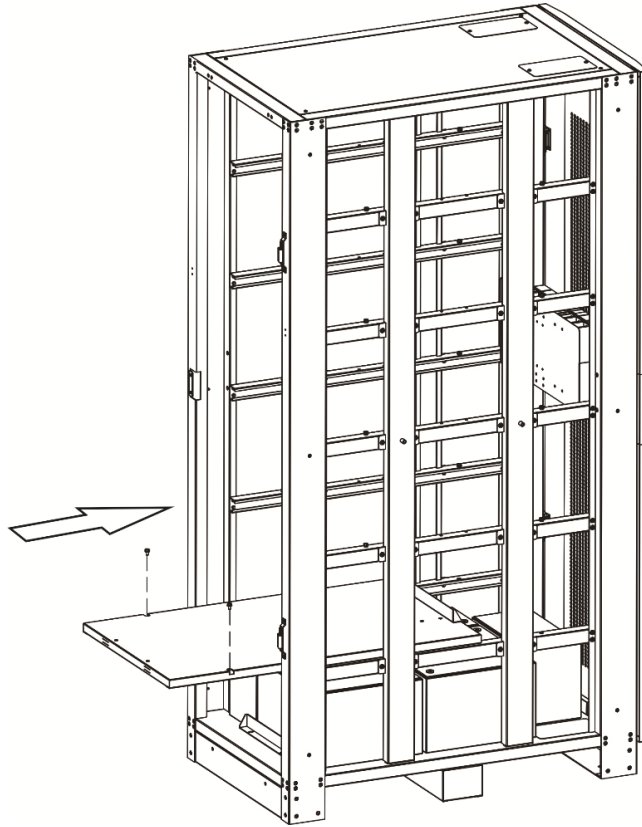


4. Battery installation in the battery cabinet will start from the bottom (L1) and end at the top (L6). See below right figure for internal wiring "L1". Reference the table and diagrams in **Sections 7.1.1 and 7.2.2** for the appropriate wire jumper needed.

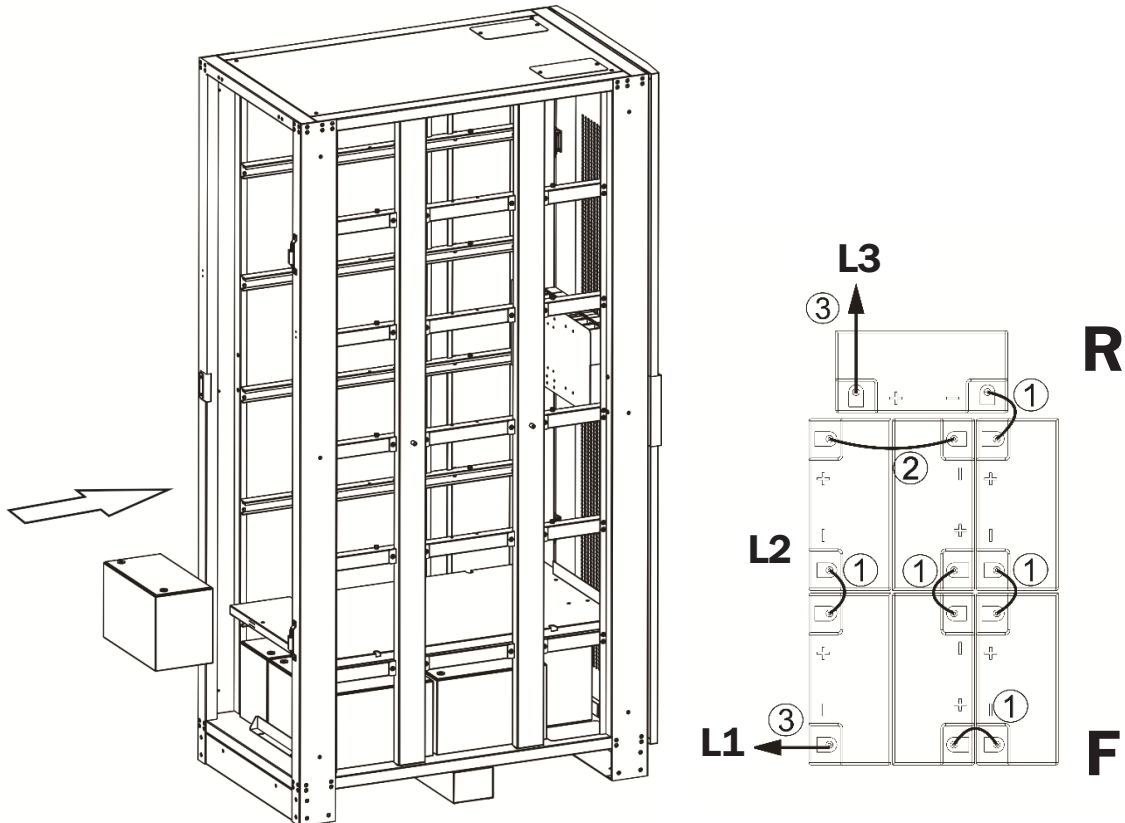


## 7. Installation

5. Use the saved M6 screws to secure the battery tray for L2.



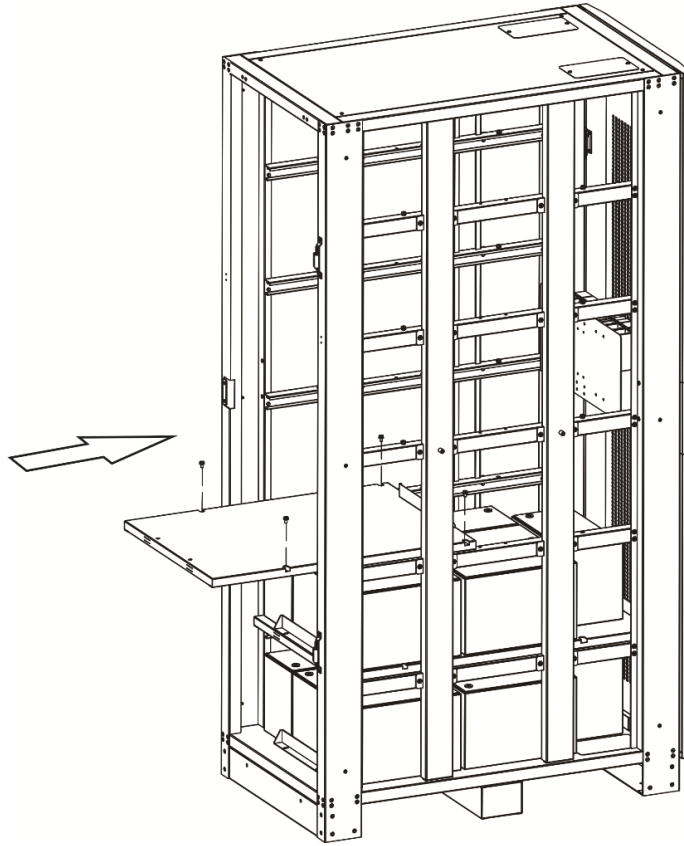
6. See the below right diagram for internal wiring "L2". Reference the table and diagrams in **Sections 7.1.1 and 7.2.2** for the appropriate wire jumper needed.



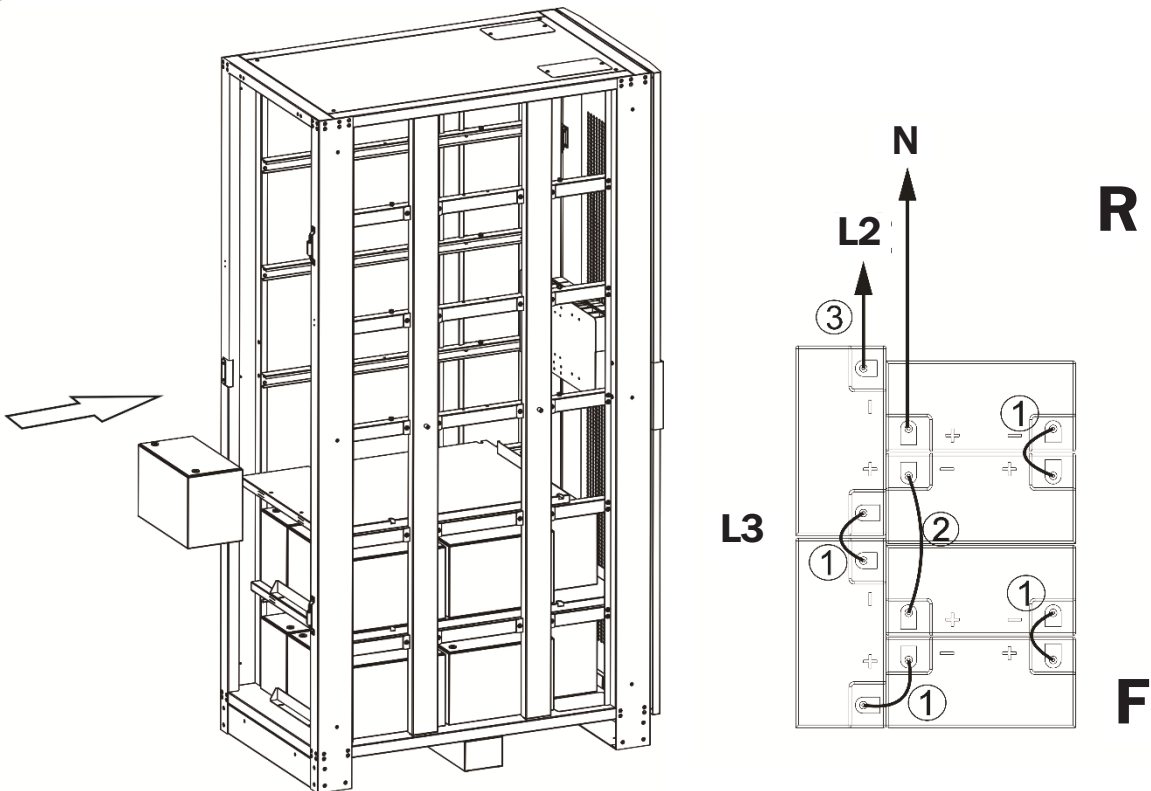


## 7. Installation

7. Use the saved M6 screws to secure the next battery tray for L3.

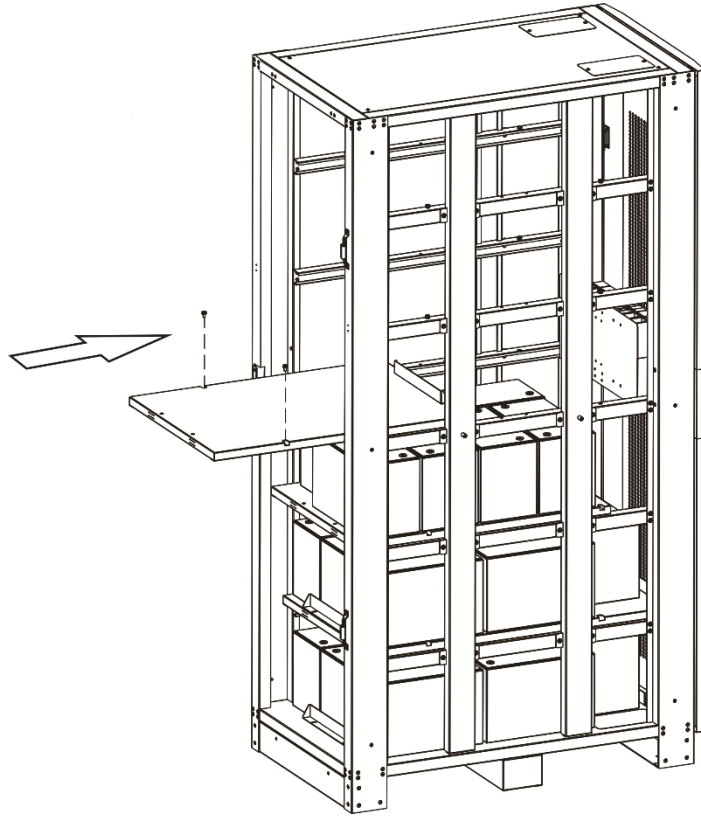


8. See the below right diagram for internal wiring "L3". Reference the table and diagrams in **Sections 7.1.1 and 7.2.2** for the appropriate wire jumper needed.

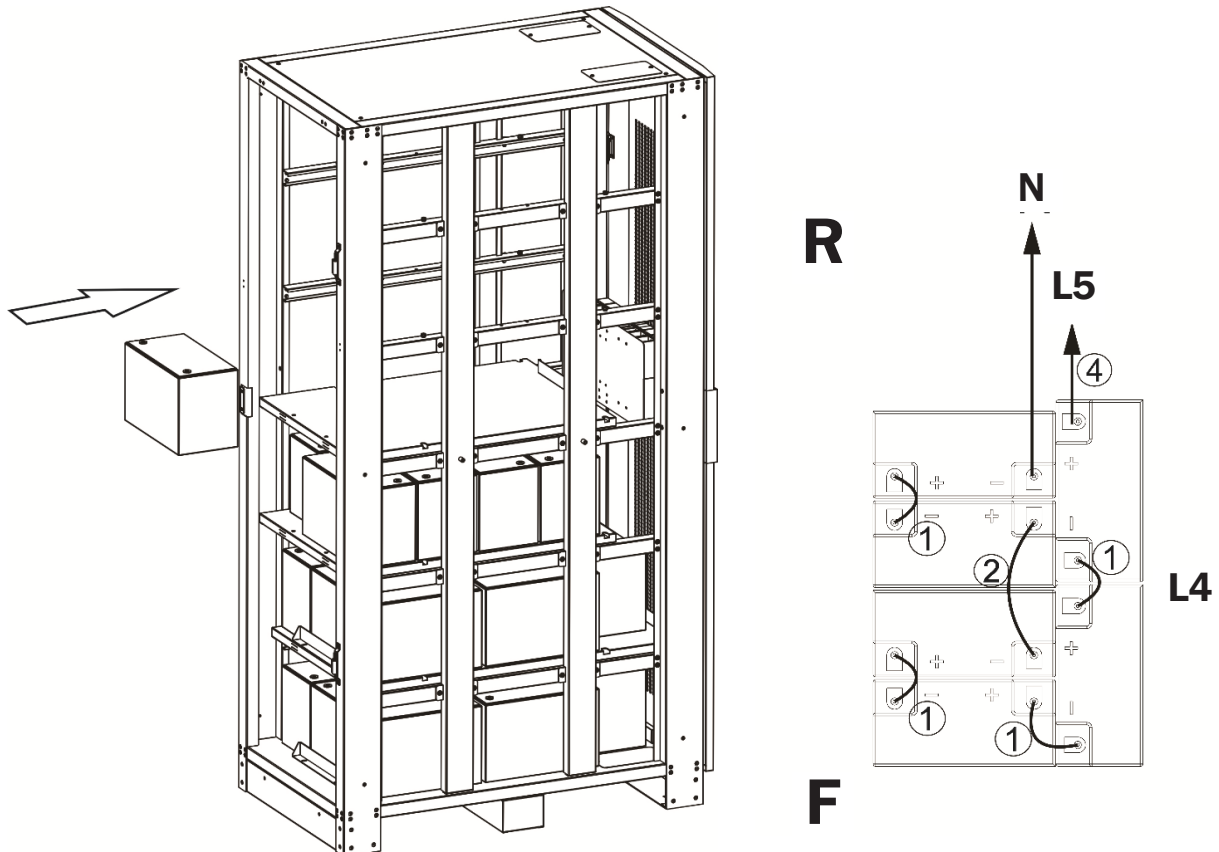


## 7. Installation

9. Use the saved M6 screws to secure the next battery tray for L4.

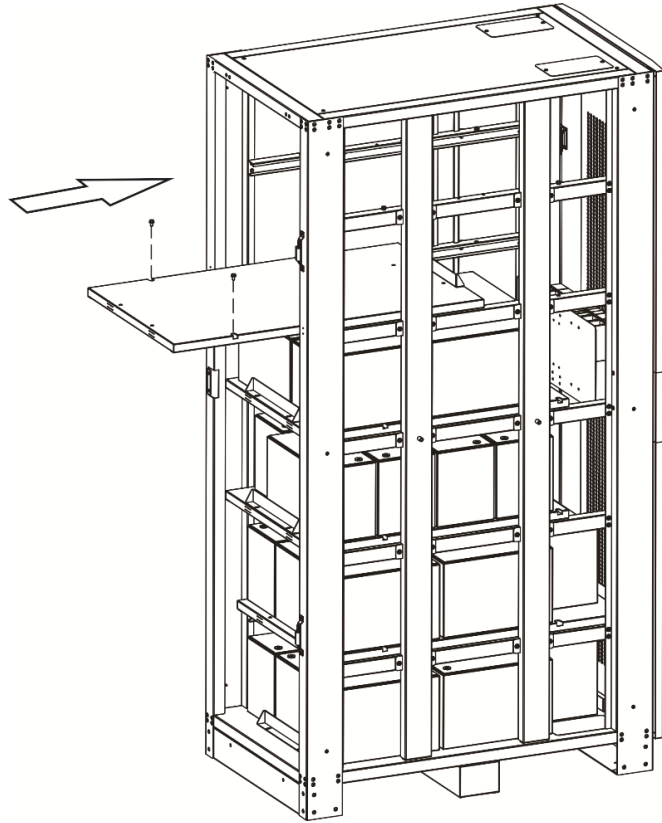


10. See the below right diagram for internal wiring "L4". Reference the table and diagrams in **Sections 7.1.1 and 7.2.2** for the appropriate wire jumper needed.

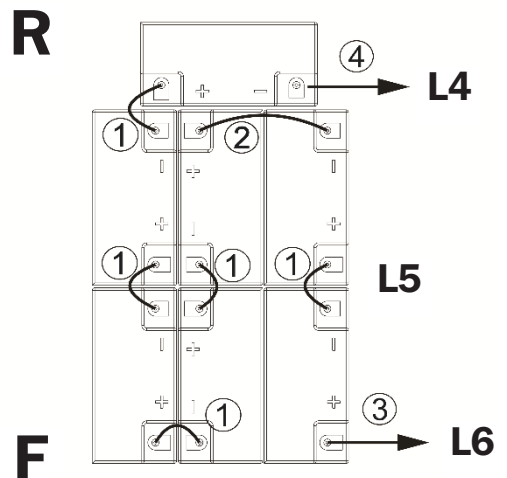
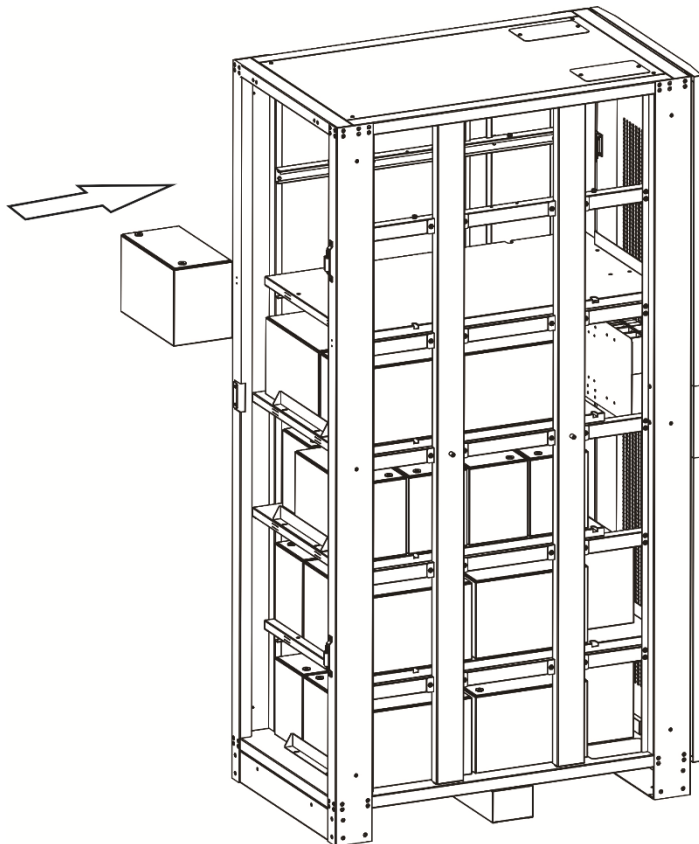


## 7. Installation

11. Use the saved M6 screws to secure the next battery tray for L5.

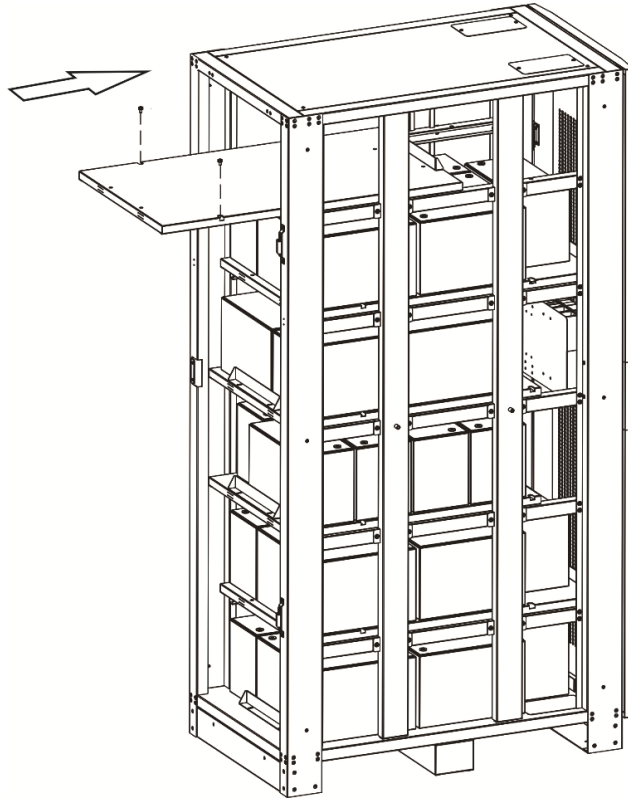


12. See the below right diagram for internal wiring "L5". Reference the table and diagrams in **Sections 7.1.1 and 7.2.2** for the appropriate wire jumper needed.

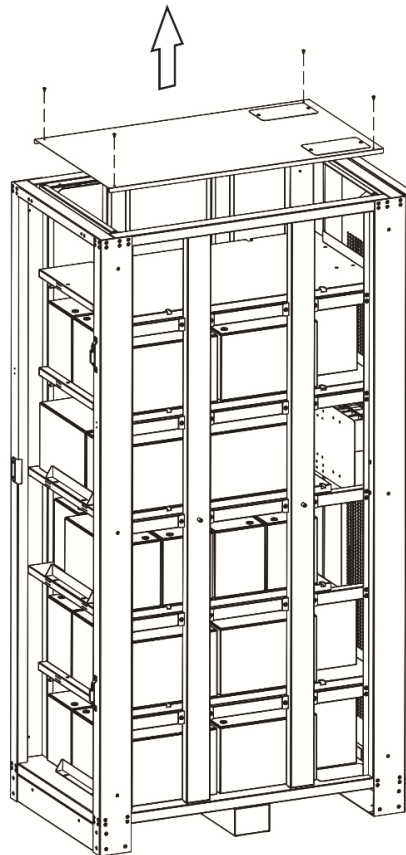


## 7. Installation

13. Use the saved M6 screws to secure the next battery tray for L6.

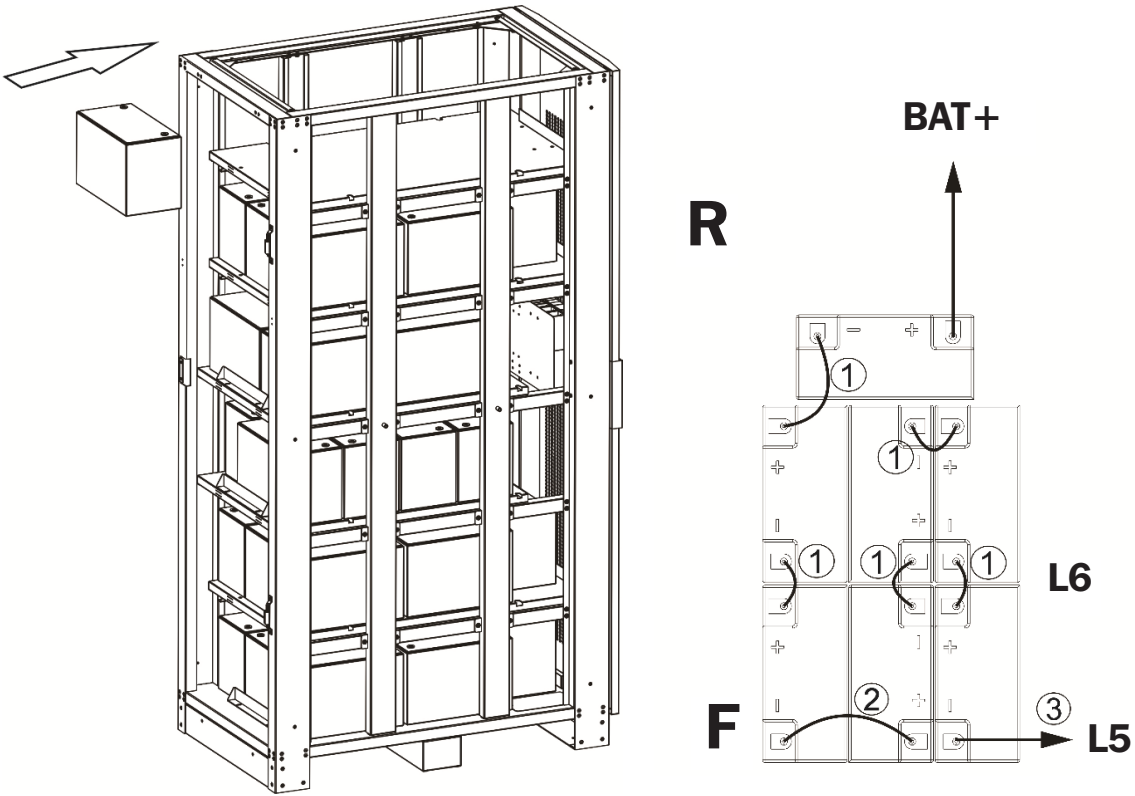


14. Remove the M4 screws (4 pcs.) from cabinet top cover and remove.

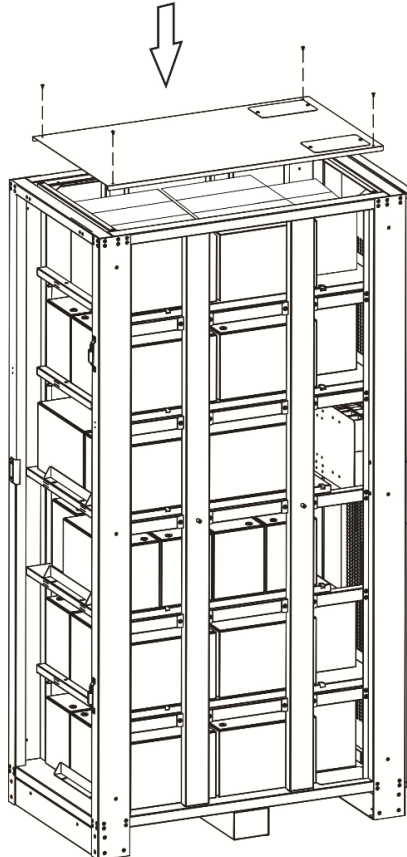


## 7. Installation

15. See the below right diagram for internal wiring “L6”. Reference the table and diagrams in **Sections 7.1.1 and 7.2.2** for the appropriate wire jumper needed.

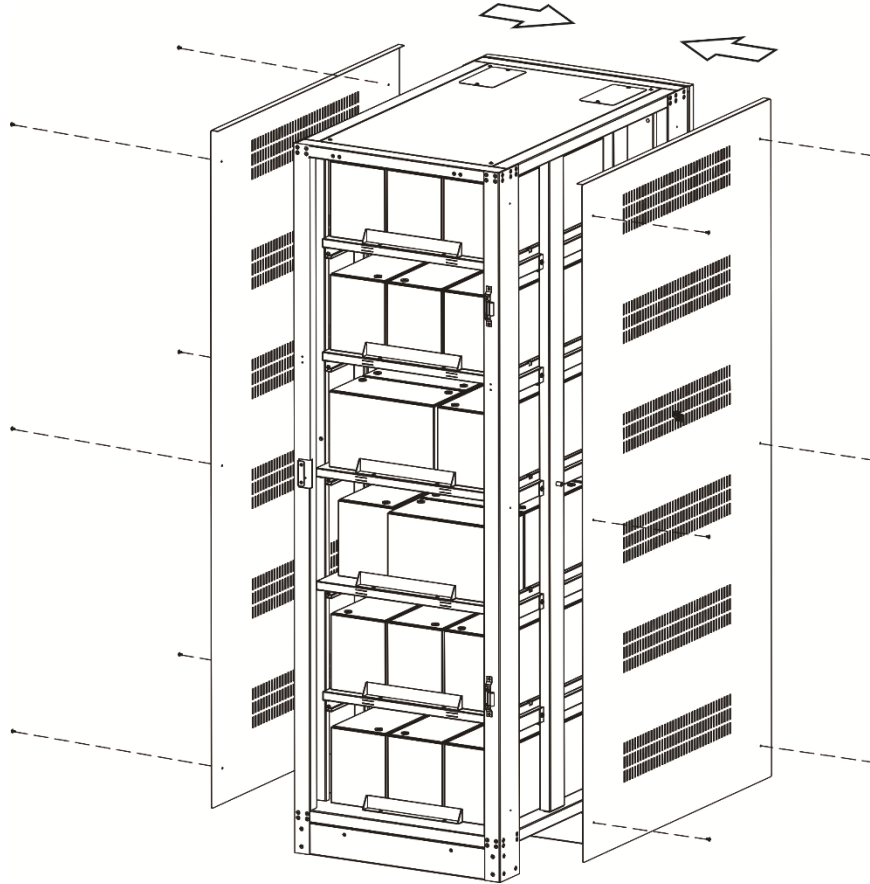


16. Use M4 screws to reinstall and secure the top cover to the battery cabinet frame.

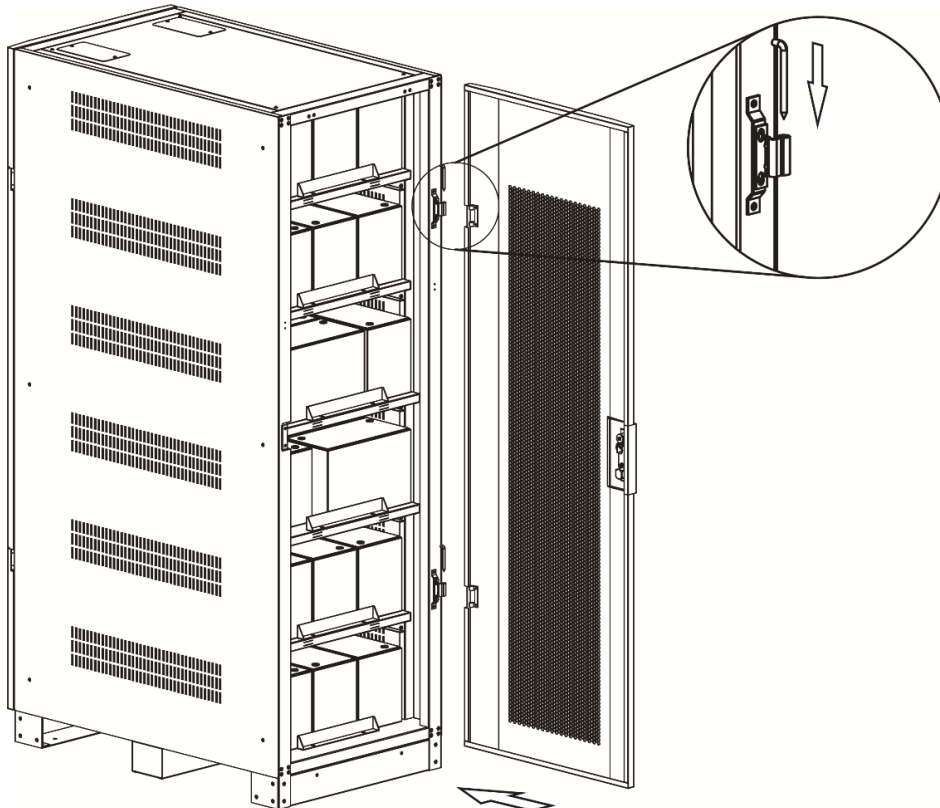


## 7. Installation

17. Use the saved M4 screws to reinstall and secure the side panels to the battery cabinet frame.



18. Reinstall the front door and reinsert the latch to the door hinge.



## 7. Installation

### 7.4. Installation Specifications

#### 7.4.1 Installation and Floor Loading Information

Battery Cabinet Model	Shelves	Dimensions(Height x Width x Depth)	Casters	Weight	Floor Load
BP480V370	6	2005 x 650 x 1100 mm	N	1606 kg	1187 kg/m <sup>2</sup>
BP480V370NB	6	2005 x 650 x 1100 mm	N	266 kg	1187 kg/m <sup>2</sup>

#### 7.4.2 Recommended Torque

Battery Cabinet Model	Individual Battery Unit Model	Terminal Type	Torque
BP480V370	CSB GPL 121000	M6 Threaded Insert	138.6 kgf•cm/120.3 lbf•in/13.58 N•m
BP480V370NB	N/A	N/A	N/A

## 8. Storage and Service

### Storage

The battery cabinet must be stored in a clean, secure environment with a temperature less than 40° C (104° F) and a relative humidity less than 90% (non-condensing). Store the battery cabinet in its original shipping container if possible. Charge the batteries for at least 24 hours prior to use. Do not rely on the battery cabinet to provide backup power to connected equipment until the batteries are fully charged.

Note: If the UPS system remains off for an extended period of time, it should be turned on periodically to allow the batteries to recharge. The UPS system should be turned on and the batteries should be recharged at least one uninterrupted 24-hour period every 3 months. Failure to recharge the batteries periodically may cause irreversible battery damage.

### Service

Your Tripp Lite product is covered by the warranty described in this manual. A variety of Extended Warranty and On-Site Service Programs are also available from Tripp Lite. For more information on service, visit [www.tripplite.com/support](http://www.tripplite.com/support). Before returning your product for service, follow these steps:

1. Review the installation and operation procedures in this manual to insure that the service problem does not originate from a misreading of the instructions.
2. If the problem continues, do not contact or return the product to the dealer. Instead, visit [www.tripplite.com/support](http://www.tripplite.com/support).
3. If the problem requires service, visit [www.tripplite.com/support](http://www.tripplite.com/support) and click the Product Returns link. From here you can request a Returned Material Authorization (RMA) number, which is required for service. This simple on-line form will ask for your unit's model and serial numbers, along with other general purchaser information. The RMA number, along with shipping instructions will be emailed to you. Any damages (direct, indirect, special or consequential) to the product incurred during shipment to Tripp Lite or an authorized Tripp Lite service center are not covered under warranty. Products shipped to Tripp Lite or an authorized Tripp Lite service center must have transportation charges prepaid. Mark the RMA number on the outside of the package. If the product is within its warranty period, enclose a copy of your sales receipt. Return the product for service using an insured carrier to the address given to you when you request the RMA.

## 9. Warranty and Product Registration

### Limited Warranty

Seller warrants this product, if used in accordance with all applicable instructions, to be free from original defects in material and workmanship for a period of 1 year from the date of initial purchase. If the product should prove defective in material or workmanship within that period, Seller will repair or replace the product, in its sole discretion. Service under this Warranty includes parts and Tripp Lite service center labor. On-site service plans are available from Tripp Lite through authorized service partners (in most areas). Visit [www.tripplite.com/support](http://www.tripplite.com/support) for details. International customers should contact Tripp Lite support at [intlservice@tripplite.com](mailto:intlservice@tripplite.com).

THIS WARRANTY DOES NOT APPLY TO NORMAL WEAR OR TO DAMAGE RESULTING FROM ACCIDENT, MISUSE, ABUSE OR NEGLIGENCE. SELLER MAKES NO EXPRESS WARRANTIES OTHER THAN THE WARRANTY EXPRESSLY SET FORTH HEREIN. EXCEPT TO THE EXTENT PROHIBITED BY APPLICABLE LAW, ALL IMPLIED WARRANTIES, INCLUDING ALL WARRANTIES OF MERCHANTABILITY OR FITNESS, ARE LIMITED IN DURATION TO THE WARRANTY PERIOD SET FORTH ABOVE; AND THIS WARRANTY EXPRESSLY EXCLUDES ALL INCIDENTAL AND CONSEQUENTIAL DAMAGES. (Some states do not allow limitations on how long an implied warranty lasts, and some states do not allow the exclusion or limitation of incidental or consequential damages, so the above limitations or exclusions may not apply to you. This Warranty gives you specific legal rights, and you may have other rights which vary from jurisdiction to jurisdiction.)

Tripp Lite; 1111 W. 35th Street; Chicago IL 60609; USA

WARNING: The individual user should take care to determine prior to use whether this device is suitable, adequate or safe for the use intended. Since individual applications are subject to great variation, the manufacturer makes no representation or warranty as to the suitability or fitness of these devices for any specific application.

### Product Registration

Visit [www.tripplite.com/warranty](http://www.tripplite.com/warranty) today to register your new Tripp Lite product. You'll be automatically entered into a drawing for a chance to win a FREE Tripp Lite product.\*

\* No purchase necessary. Void where prohibited. Some restrictions apply. See website for details.

### Regulatory Compliance Identification Numbers

For the purpose of regulatory compliance certifications and identification, your Tripp Lite product has been assigned a unique series number. The series number can be found on the product nameplate label, along with all required approval markings and information. When requesting compliance information for this product, always refer to the series number. The series number should not be confused with the marketing name or model number of the product.

Tripp Lite has a policy of continuous improvement. Specifications are subject to change without notice.



1111 W. 35th Street, Chicago, IL 60609 USA • [www.tripplite.com/support](http://www.tripplite.com/support)

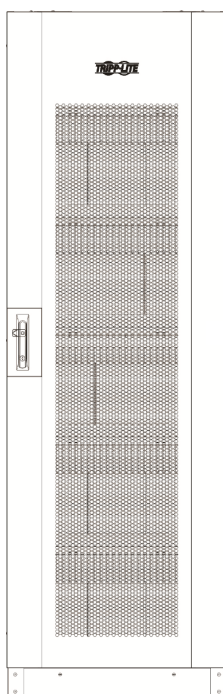


# Manual del Propietario

## Gabinete de Baterías para Autonomía Extendida

Modelos: BP480V370, BP480V370NB

No es adecuado para aplicaciones móviles.



1111 W. 35th Street, Chicago, IL 60609 EE. UU. • [www.tripplite.com/support](http://www.tripplite.com/support)

Copyright © 2018 Tripp Lite. Todos los derechos reservados.

# Índice

<b>1. Introducción</b>	<b>2</b>	<b>5. Mantenimiento</b>	<b>7</b>
Características	2	<b>5.1 Programa de Mantenimiento</b>	7
<b>2. Instrucciones de Seguridad Importantes</b>	<b>3</b>	5.1.1 Comprobación Trimestral	7
Advertencias sobre la Instalación y la Ubicación	3	<b>6. Datos Mecánicos</b>	<b>8</b>
Advertencias sobre la Conexión	3	<b>6.1 Dimensiones Físicas</b>	8
Advertencias sobre la Batería	4	<b>6.2 Requerimientos de la Batería</b>	9
<b>3. Instalación del Gabinete de Baterías</b>	<b>4</b>	<b>7. Instalación</b>	<b>10</b>
<b>3.1 Preparación</b>	4	<b>7.1 Pre-Instalación de la Batería</b>	<b>10</b>
<b>3.2 Transportación</b>	5	<b>7.2 Puentes de Cable y Cableado Interno</b>	<b>11</b>
<b>3.3 Comprobación Mecánica</b>	5	7.2.1 Especificaciones para los Puentes	11
<b>3.4 Cableado Interno (Típico)</b>	5	de Cable Incluidos	
<b>3.5 Comprobación Eléctrica Preliminar</b>	5	7.2.2 Cableado Interno del Gabinete de Baterías	12
(Después de la Instalación de la Batería)		7.2.3 Instalación en Paralelo de Gabinete para Baterías	13
<b>3.6 Colocación del Gabinete para Baterías</b>	5	<b>7.3 Instalación de la Batería</b>	<b>14</b>
<b>3.7 Conexión Eléctrica</b>	6	<b>7.4 Especificaciones para la Instalación</b>	<b>23</b>
<b>3.8 Comprobación Eléctrica Final</b>	6	7.4.1 Información de la Instalación y Carga del Piso	23
<b>4. Operación y Carga</b>	<b>7</b>	7.4.2 Apriete Recomendado	23
<b>4.1 Determinación de los Voltajes de Carga</b>	7	<b>8. Almacenamiento y Servicio</b>	<b>23</b>
<b>4.2 Carga Inicial</b>	7	<b>9. Garantía</b>	<b>24</b>
<b>4.3 Comprobación Operacional</b>	7	<b>English</b>	<b>1</b>
		<b>Русский</b>	<b>49</b>

## 1. Introducción

Los Gabinetes de Baterías para Autonomía Extendida de Tripp Lite se conectan a Sistemas UPS SmartOnline® para proporcionar respaldo por batería de larga duración para centros de datos, telecomunicaciones, redes, instalaciones industriales, seguridad, sistemas de emergencia y otras aplicaciones de misión crítica que requieran alta capacidad, alta disponibilidad y autonomía extendida.

### Características

- Los gabinetes de baterías están disponibles en dos opciones: BP480V370 y BP480V370NB. El modelo BP480V370 incluye puentes, terminales, breaker y 40 x baterías CSB GPL 121000 en una tarima separada para una instalación completa. El modelo BP480V370NB es un juego similar, pero sin baterías, permitiendo a los usuarios adquirir baterías para el gabinete por separado.
- Los gabinetes de baterías están disponibles en voltajes de 480V CD y opción de capacidades de 100Ah @ C20 a 1.67VPC.
- Los gabinetes de baterías contienen múltiples baterías de 12V CD conectadas en serie para obtener voltajes más altos. Pueden conectarse en paralelo hasta 3 gabinetes de baterías para una autonomía aumentada.
- Cada gabinete de baterías contiene 6 repisas con 5, 6 o 7 baterías individuales (máximo) por repisa.
- La puerta con bisagra y cerradura facilita el acceso a las baterías para el mantenimiento periódico.
- Por encima de las baterías individuales se encuentra un espacio mínimo de 130 mm para el acceso a las terminales.
- El gabinete de baterías está construido de acero de calibre pesado.
- El acabado de pintura en polvo horneada proporciona resistencia a rebabas y a la corrosión.
- El gabinete de baterías se embarca atornillado a la tarima con una doble capa de envoltura de protección elástica y esquineros integrados y protección superior.
- La ventilación y enfriamiento adecuado por convección de las baterías individuales se proporcionan mediante un espaciado entre las baterías. Las ventilas delanteras y traseras permiten la libre circulación del aire caliente hacia afuera del gabinete de baterías.
- Dispone de un breaker en una estuche moldeado para protección contra sobrecorriente.
- Los cables de salida de energía suministrados por el usuario pueden introducirse en el gabinete de baterías a través de recortes para conductos en la parte superior del gabinete.
- Para una seguridad mejorada, mayor densidad de potencia y mantenimiento mínimo, los sistemas de gabinete utilizan baterías recombinantes de Plomo Ácido Reguladas por Válvula (VRLA). El electrolito de estas baterías es inmovilizado en un separador de estera absorbente o en un medio gelificante, eliminando riesgos de derrame y requisitos de mantenimiento del electrolito líquido libre. No hay ninguna necesidad de agregar agua o medir la gravedad específica.
- Ya que las baterías tienen celdas recombinantes que emplean un ciclo de recombinación del oxígeno, se emiten gases mínimos durante la carga de flotación normal. Cada celda contiene una válvula individual, que libera los productos de gas de sobrecarga y evita la acumulación de la presión dentro de la celda.

## 2. Instrucciones de Seguridad Importantes

### CONSERVE ESTAS INSTRUCCIONES

Todas las secciones de este manual contienen instrucciones y advertencias que deben observarse durante la instalación y la operación del gabinete de batería aquí descrito. Lea **TODAS** las instrucciones detenidamente antes de mover, instalar o conectar el gabinete de batería.

Caso contrario, puede afectar la garantía y causar daños materiales o lesiones físicas graves.



### ¡PELIGRO! ¡RIESGO LETAL POR ALTO VOLTAJE!

El tendido del cableado debe estar a cargo de un electricista calificado, en conformidad con las advertencias descritas en este manual y en todos los códigos de seguridad y eléctricos que aplicables. Un cableado incorrecto puede causar lesiones personales graves y daños a la propiedad.

### Advertencias sobre la Instalación y la Ubicación

- Instale el gabinete de baterías en un ambiente interior controlado, alejado de humedad excesiva, temperaturas extremas, líquidos y gases inflamables, contaminantes conductores, polvo o luz solar directa.
- Instale el gabinete de batería en una ubicación nivelada y con estructura firme.
- El gabinete de baterías es extremadamente pesado. Tenga cuidado al mover o levantar la unidad.
- Opere el gabinete de baterías únicamente a temperaturas interiores entre 0 °C y 40 °C. Para mejores resultados, mantenga la temperatura ambiente a 25 °C.
- Deje espacio suficiente en la parte delantera y posterior del gabinete para una ventilación adecuada. No bloquee, cubra ni coloque objetos en las aberturas de ventilación externas del gabinete de baterías.
- No apoye ningún objeto sobre el gabinete de batería, especialmente recipientes con líquido.
- No intente apilar el gabinete de batería. Si lo hiciera, puede dañarlo de forma definitiva y causar lesiones físicas graves.
- No intente desembalar ni mover el gabinete sin asistencia. Use un equipo de manipulación con la capacidad apropiada para soportar el peso y la carga del gabinete de baterías, como montacargas y gatos para tarimas. (Extienda totalmente las horquillas del montacargas debajo de la carga. Abra las horquillas al máximo ancho posible bajo la carga. Levante el gabinete por la base solamente. Use calzado protector).
- Para uso en caso de emergencia, instale un extintor certificado para incendios de equipos eléctricos conectados (clasificación clase C o uno exactamente equivalente, con agente extintor no conductor) cerca del gabinete.

### Advertencias sobre la Conexión

- El gabinete de batería contiene alto voltaje peligroso que puede causar lesiones físicas o la muerte por descarga eléctrica.
- El gabinete tiene su propia fuente de alimentación. Las terminales de salida pueden estar energizadas aún cuando el gabinete no está conectado a un sistema UPS.
- El gabinete se debe conectar a tierra como corresponda según todas las regulaciones de cableado eléctrico previstas.
- No se recomienda el uso de este equipo en aplicaciones de soporte de vida en donde razonablemente se pueda esperar que la falla de este equipo cause la falla del equipo de soporte de vida o afectar significativamente su seguridad o efectividad.
- Desconecte todas las fuentes de alimentación de entrada y salida antes de instalar los cables o realizar conexiones eléctricas.
- Use un cable flexible de longitud suficiente para permitir las tareas de servicio del gabinete.
- Use casquillos para tapar los cables de terminación y evitar que los extremos deshilachados entren en corto en los bloques de terminales. Use cable con clasificación VW-1, FT-1 o superior. Use manguitos para los cables y abrazaderas para los conectores.
- Confirme que todos los cables estén marcados correctamente según su finalidad, polaridad y diámetro.
- Tome en cuenta la polaridad correcta siguiendo las marcas de positivo y negativo en la unidad. El hecho de no tomar en cuenta la polaridad correcta puede dañar las baterías y crear un riesgo grave de lesiones personales y daños a la propiedad.
- El tendido del cableado y el ensamble deben estar a cargo solamente de electricistas calificados y capacitados. Consulte el Manual del Propietario de la unidad UPS para conocer el tamaño de los cables.

## 2. Instrucciones de Seguridad Importantes

### Advertencias sobre la Batería

- El gabinete de baterías no requiere mantenimiento regular por parte del usuario. No incluye partes que requieran tareas de servicio a cargo del usuario. Solo personal técnico calificado y familiarizado con todas las precauciones requeridas puede abrir los paneles de acceso por algún motivo. Mantenga al personal no autorizado alejado de las baterías.
- El gabinete de batería contiene baterías de plomo ácido recombinantes reguladas con válvula (VRLA). No intente agregar agua a las baterías ni tomar una muestra del peso específico del electrolito.
- Las baterías VRLA pueden contener una mezcla explosiva de gas de hidrógeno. NO FUME cerca de las baterías. NO genere fuego ni chispas cerca de las baterías. Descargue la electricidad estática del cuerpo antes de tocar las baterías. NO abra ni altere las baterías, la emisión de electrolito es dañina para la piel y los ojos, y puede ser tóxica. NO deseche las baterías al fuego; pueden explotar.
- Las baterías presentan un riesgo de descarga eléctrica y quemaduras por la alta corriente de cortocircuito. La conexión y reemplazo de la batería debe llevarse a cabo sólo por personal de servicio calificado que observe las precauciones apropiadas. Use herramientas con mangos aislados. Retire relojes, anillos u otros objetos metálicos. Use botas y guantes de hule. No ponga en corto o puente las terminales de la batería con ningún objeto. No coloque herramientas o partes metálicas sobre la parte superior de las baterías.
- Reemplace las baterías por otras equivalentes (mismo número y tipo) que puede comprar en Tripp Lite.
- Las baterías son reciclables. Para los requisitos de desecho, consulte los códigos locales. Solo deseche las baterías mediante los canales autorizados en conformidad con todas las regulaciones locales, estatales y nacionales que correspondan.
- No conecte ni desconecte las baterías cuando el sistema UPS esté funcionando con suministro de la batería o cuando la unidad no se encuentre en modo de derivación. Desconecte la fuente de carga antes de conectar o desconectar las terminales de la batería.
- Si la fuente de carga permanece apagada por un período prolongado, debe encenderse para permitir recargar las baterías. Debe encenderse la unidad de carga y recargarse las baterías durante 24 horas ininterrumpidas como mínimo cada 3 meses. Si no se recargan las baterías periódicamente, puede causar daños permanentes a la batería.
- Deje que las baterías se carguen durante 24 horas ininterrumpidas después de la instalación.
- **No intente reparar el cargador de batería integrado (incluido con los modelos "C" únicamente). Si requiere servicio, póngase en contacto con Tripp Lite.**

#### Nota Sobre el Etiquetado

Pueden aparecer estos símbolos en la etiqueta del producto:

V~: Voltaje de CA

V==: Voltaje de CD

⊕: Tierra

+: Positivo de la Batería

-: Negativo de la Batería

Consulte la etiqueta del producto para los números de modelo, especificación de voltaje y otra información importante.

## 3. Instalación del Gabinete de Baterías



**Antes de la Instalación Lea la Sección 2 – Instrucciones de Seguridad Importantes**



### 3.1 Preparación

- En su instalación, prepárese para descargar el gabinete de baterías del camión de entrega y transportarlo hasta el lugar de instalación final. Tenga en cuenta el peso y dimensiones del paquete.
- Asegúrese de que el piso pueda soportar la carga del gabinete de baterías específico que se está instalando. El gabinete debe instalarse en un área estructuralmente firme con un piso nivelado, que pueda soportar el peso del gabinete de baterías y otros equipos que se instalen cerca.
- Dibuje un esquema de cableado que represente los cables conectados entre los bloques de terminales de salida del gabinete de baterías y cualquier dispositivo exterior de desconexión, caja de conexiones y/o carga / rectificador.
- Si planea almacenar el gabinete por un período prolongado antes de la instalación, siga las instrucciones en la **Sección 8. Almacenamiento y Servicio.**

## 3. Instalación del Gabinete de Baterías

### 3.2 Transportación

1. Inspeccione el o los contenedores de embarque para detectar daños visibles (no retire la envoltura elástica alrededor de la unidad hasta que haya sido transportada hasta el lugar de instalación final). Confirme que el nombre del modelo y la especificación coincidan con la unidad que ordenó. Si usted determina que la unidad ha sufrido daños durante el envío o si algo parece faltar, póngase en contacto con Tripp Lite. No intente utilizar la unidad si ha sido dañada o maltratada.
2. No intente mover o desempacar el gabinete de baterías sin asistencia. Use un equipo de manipulación adecuado para soportar el peso y el volumen del gabinete de baterías, como montacargas y gatos mecánicos para tarimas. (Extienda totalmente las horquillas del montacargas debajo de la carga. Abra las horquillas al máximo ancho posible bajo la carga. Levante el gabinete por la base solamente. Use calzado protector). Confirme que los límites de carga para montacargas, equipos de manejo y pisos a lo largo de la ruta de transporte no sean excedidos por el peso combinado del gabinete de baterías empacado, equipos de manejo y personal. Confirme que la unidad empacada pasará a través de cualquier puerta a lo largo de la ruta prevista.
3. El gabinete de baterías está asegurado con envoltura elástica para protegerlo durante el transporte y movimiento dentro de una instalación. Retire la envoltura elástica del gabinete de baterías cuando la unidad está en el lugar de instalación final—no antes.

### 3.3 Comprobación Mecánica

Mientras que el sistema de gabinete de baterías se encuentre todavía en la tarima, inspeccione todas las partes para detectar golpes u otros daños.

1. Abra la puerta frontal del gabinete de baterías.
2. Confirme que ninguna de las baterías individuales incluidas en una tarima por separado esté dañada (aplica a modelo BP480V370 solamente).
3. Confirme que ninguna de las partes internas (bloques de terminales, breakers y otras partes) haya sido dañada.
4. Tenga en cuenta el número de modelo de la batería individual. Refiérase a la **Sección 6.2** para el tipo de terminal de batería y el apriete recomendado.
5. Utilice herramientas aisladas para apretar todas las conexiones de terminales de la batería al valor recomendado.
6. Utilice herramientas aisladas para apretar los cables de las terminales de salida positivas y negativas en el extremo de las baterías al breaker.

### 3.4 Cableado Interno (Típico)

- Los gabinetes de baterías utilizan múltiples baterías de 12V CD conectadas en serie para proporcionar el voltaje de CD nominal de 480V CD ( $\pm 240V$  CD).
- El cableado interno está dimensionado para las corrientes de carga de la aplicación específica. No use otro tamaño de cable que no sea el proporcionado en el gabinete de baterías.
- Cada repisa del gabinete de baterías incluye un diagrama de cableado específico.
- Todos los breakers están en el nivel medio del gabinete de baterías.
- Todas las polaridades de conexión de la carga estarán marcadas por una etiqueta POS (+) o NEG (-) (o una etiqueta al centro "N" para cadenas de  $\pm 240V$  CD).
- Todos los gabinetes de la batería están provistos de un dispositivo de protección de sobrecorriente de circuito de ramal y pueden conectarse directamente a la carga o UPS.

### 3.5 Comprobación Eléctrica Preliminar (Después de la Instalación de la Batería)

1. Restablezca el breaker a la posición "On" y mida el voltaje de salida del gabinete de baterías en los puntos de conexión de carga de salida. Mida el voltaje con un voltímetro digital.
2. El voltaje medido debe coincidir aproximadamente con el voltaje que aparece en la placa del gabinete de baterías. El voltaje de salida del gabinete de baterías será igual al número de baterías individuales instaladas en serie multiplicado por el voltaje unitario. Por ejemplo: 40 baterías x 12.84V CD = 513.6V CD de salida.
3. Si el voltaje medido es significativamente diferente al previsto, determine la causa (e.g. carga baja, celda en cortocircuito, batería invertida, cableado defectuoso) y corrija la disparidad de voltaje antes de continuar.
4. Coloque el breaker en la posición "off" como una medida de seguridad durante la instalación.

### 3.6 Colocación del Gabinete para Baterías

Coloque el gabinete de baterías en un lugar fresco con flujo de aire libre y lejos de fuentes de calor directo. La vida útil y el rendimiento de una batería pueden verse considerablemente afectadas por temperaturas elevadas, disminuyendo en un 50% para cada 8.25 °C por encima de 25 °C.

1. Prepare la superficie donde se colocará el gabinete. La superficie debe estar limpia, plana y capaz de soportar el gabinete de baterías y otros equipos instalados cerca. Para especificaciones de carga del piso, consulte la **Sección 7.4**.
2. Deje espacio suficiente en la parte delantera y posterior del gabinete para una correcta ventilación y mantenimiento. La puerta frontal debe ser accesible para permitir un fácil acceso a las baterías internas, fusibles internos y otros dispositivos de protección contra sobrecorriente. Para dimensiones y medidas gabinete de baterías, consulte la **Sección 6.1**.
3. Si el gabinete será anclado al suelo, instale tornillos de anclaje adecuados en el orificio situado en la parte inferior del gabinete. Utilice arandelas para crear una superficie plana entre las áreas de instalación alrededor de los tornillos de anclaje.

## 3. Instalación del Gabinete de Baterías

4. Con mucho cuidado, retire los tornillos que aseguran el gabinete de baterías a la tarima.
5. Las horquillas del montacargas deben estar a la anchura máxima dentro de la abertura del gabinete y completamente introducidas, para evitar que se vuelque. Levante el gabinete por la base solamente. Tenga cuidado de no dañar el piso de lámina metálica del gabinete con las horquillas.
6. Si el gabinete de batería será fijado al suelo, alinee cuidadosamente y baje el gabinete de baterías en los tornillos de anclaje del piso y fíjelo en su lugar.
7. Si el gabinete no se fijará al piso, bájelo en el espacio designado y luego nivélelo con cuñas. La nivelación no afecta el rendimiento, pero alinea el gabinete de batería con otros equipos en la instalación.

### 3.7 Conexión Eléctrica



#### **¡PELIGRO! ¡RIESGO LETAL POR ALTO VOLTAJE!**

**El tendido del cableado debe estar a cargo de un electricista calificado, en conformidad con las advertencias descritas en este manual y en todos los códigos de seguridad y eléctricos que aplicables. Un cableado incorrecto puede causar lesiones personales graves y daños a la propiedad.**

- El gabinete de baterías está conectada a la carga a través de un breaker CD. Esto permite desconectar la batería de la carga y el cargador para mantenimiento o reparación.
- Los breakers de CD en la caja moldeada son aprobados por CE para la protección de circuitos ramales. Si se requiere reemplazarlos, deben usarse componentes aprobados por CE de la misma especificación de voltaje y corriente.
- El tamaño de los cables de conexión de carga debe considerar la caída de voltaje máxima permitida, así como la capacidad de amperaje continuo y tasa de amperaje de descarga esperada del gabinete de baterías individual. Se recomienda una caída de máxima de 1.5V CD en los cables de conexión de carga. Consulte el Manual del Propietario de la unidad UPS para conocer el tamaño de los cables recomendados.
- Consulte todos los códigos locales, estatales y nacionales para el tamaño y calificaciones de cable apropiados.
- Los dispositivos de protección de circuito externo (fusibles o breakers) deben considerar la tasa de descarga de la batería, el cableado a proteger y la corriente de cortocircuito de la batería.

Después de ejecutar los procedimientos de instalación en la **Sección 7**:

1. Abra la puerta frontal del gabinete de baterías para acceder a los componentes internos. Use un voltímetro digital cuando sea necesario medir los voltajes.
2. Determine si la batería ha sido inadvertidamente conectada a tierra restableciendo el breaker a la posición "On" y mida el voltaje entre la terminal de tierra del gabinete de baterías y el punto de conexión de carga positiva dentro del gabinete. Este voltaje debe medir 0 (cero) VCD. Si el voltaje medido no es cero, determine la causa y corríjala antes de continuar.
3. Regrese el breaker interno a una posición "Off" abierta, como medida de seguridad mientras se conectan los cables de salida. Hacer esto evita daños en caso de que accidentalmente se pongan en corto los cables.
4. La parte superior del gabinete de baterías incluye recortes para la entrada del cable de conexión de carga. Despeje el orificio apropiado y conecte el conducto o el buje del cable.
5. El breaker del circuito de salida permite cables de hasta 300 mm<sup>2</sup>.
6. Conecte un cable adecuado a la oreja de conexión a tierra situada en la parte superior del gabinete de baterías.
7. Introduzca los cables positivo y negativo (y "N" central, si así está equipado) desde el switch de desconexión externo abierto o las terminales de cableado de campo de la batería del UPS a través del conducto / buje de cable. Conecte a las terminales de salida respectivas dentro del gabinete de baterías.

### 3.8 Comprobación Eléctrica Final

Antes de cerrar cualquier breaker de conexión o switch de desconexión, siga estos pasos de verificación:

1. Verifique que esté correcto el voltaje de salida del gabinete de baterías.
2. Si los gabinetes de baterías serán operados en paralelo, verifique que los voltajes individuales de salida del sistema coincidan dentro de 2V CD.
3. Verifique que el voltaje medido entre cualquier terminal de salida y la tierra del gabinete de baterías sea igual a cero.
4. Si alguno de los pasos de verificación anteriores muestra una irregularidad, determine y corrija la causa antes de continuar.
5. Restaure el breaker a la posición "On".

## 4. Operación y Carga

### 4.1 Determinación de los Voltajes de Carga

Para determinar el voltaje de carga de equalización apropiada (refrescado) y voltaje de carga de flotación, multiplique el número de baterías conectadas en serie en el gabinete de baterías por el voltaje de carga recomendado por unidad.

**Por ejemplo:**

Un gabinete de +/- 240V CD que contenga 40 baterías CSB GPL12100\* en serie se usarán los siguientes voltajes de carga:  
Voltaje de Carga de Flotación = 20 x (13.5 to 13.8V CD/unidad promedio) = +/- 270 a 276V CD

### 4.2 Carga Inicial

Después de haber calculado los voltajes de carga correctos, siga estos pasos:

1. Ajuste las salidas de voltaje de equalización del cargador / rectificador y flotación al nivel apropiado.
2. Coloque el cargador / rectificador en el modo de equalización. Las unidades UPS SmartOnline de Tripp Lite ajustan automáticamente el nivel de voltaje de carga en función del voltaje de la batería presente.
3. Cierre la conexión del switch de desconexión / conexión del breaker del cargador / rectificador a los gabinetes de baterías y empiece una carga de refresco de 24 horas en la carga de equalización.
4. Después de unos minutos en carga, monitoree el voltaje a través de varias de las baterías individuales para asegurar que se están cargando al valor apropiado.
5. Después de la finalización de la carga de control de ambientes, colocar el cargador / rectificador en el modo de carga de flotación. Las unidades UPS SmartOnline de Tripp Lite ajustan automáticamente el nivel de voltaje de carga en función del estado del voltaje de la batería.
6. Después de que el gabinete de baterías ha estado en flotación por 1 a 24 horas adicionales, complete la verificación del funcionamiento (vea la **Sección 4.3** siguiente).

### 4.3 Comprobación Operacional

1. Mida y registre el voltaje total de flotación del sistema. Mida en las terminales de la batería.
2. Mida y registre la corriente de flotación del sistema usando un amperímetro de pinza.
3. Mida y registre el voltaje de flotación de las unidades de batería individuales.
4. Mida y registre la temperatura de varias baterías. Mida la temperatura de la batería con un termómetro digital colocando el termopar de superficie sobre la superficie plana de la terminal negativa—no la superficie de la conexión "L". También puede usarse un monitor de temperatura infrarrojo.
5. **Opcional:** Ejecute pruebas de impedancia y conductancia en las unidades de batería individuales. Estas pruebas requieren equipo especial, pero los datos pueden ser útiles para marcar la tendencia del sistema en el tiempo o identificar unidades sospechosas durante comprobaciones periódicas posteriores. Puede ser necesario desconectar el sistema de batería del cargador / carga durante estas comprobaciones.

## 5. Mantenimiento

El gabinete de batería contiene baterías de plomo ácido recombinantes reguladas con válvula (VRLA), que son libres de mantenimiento con respecto al electrolito. No puede agregar agua a estas baterías ni tomar muestras de la gravedad específica del electrolito. Sin embargo, es necesario comprobar periódicamente el voltaje, temperatura y las conexiones de carga de las unidades individuales de batería.

### 5.1 Programa de Mantenimiento

#### 5.1.1 Comprobación Trimestral

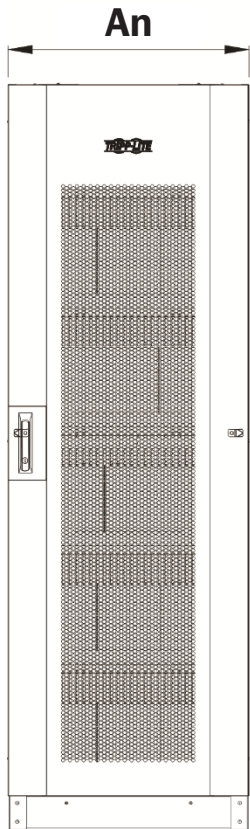
Se recomienda mantenimiento trimestral por personal calificado.

## 6. Datos Mecánicos

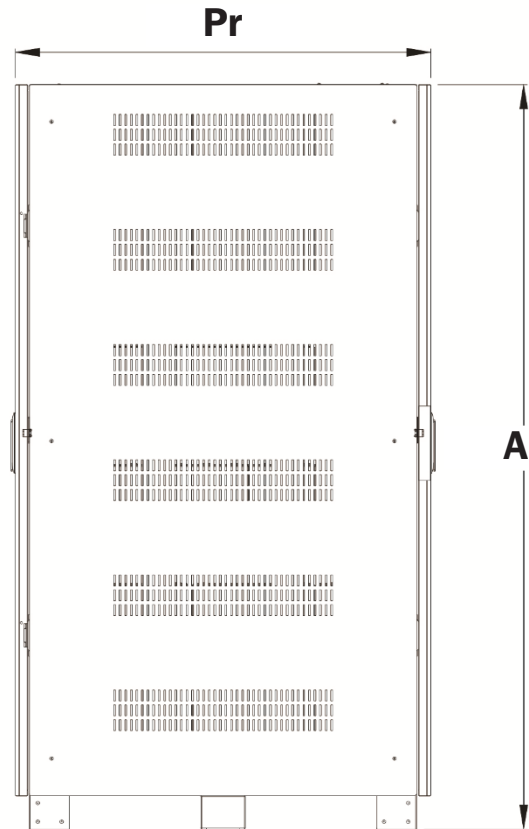
### 6.1 Dimensiones Físicas

Dimensiones (Al x An x Pr): 2005 x 647 x 1100 mm

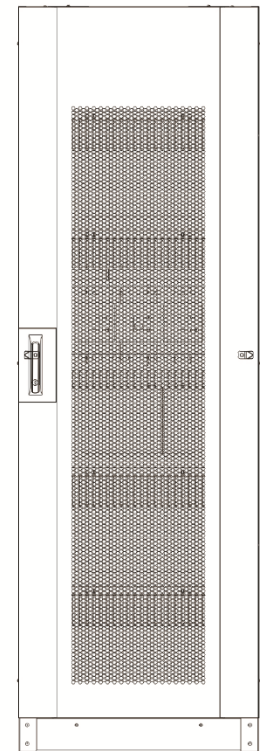
Peso de Gabinete Vacío: 221 kg [487 lb]



VISTA FRONTAL



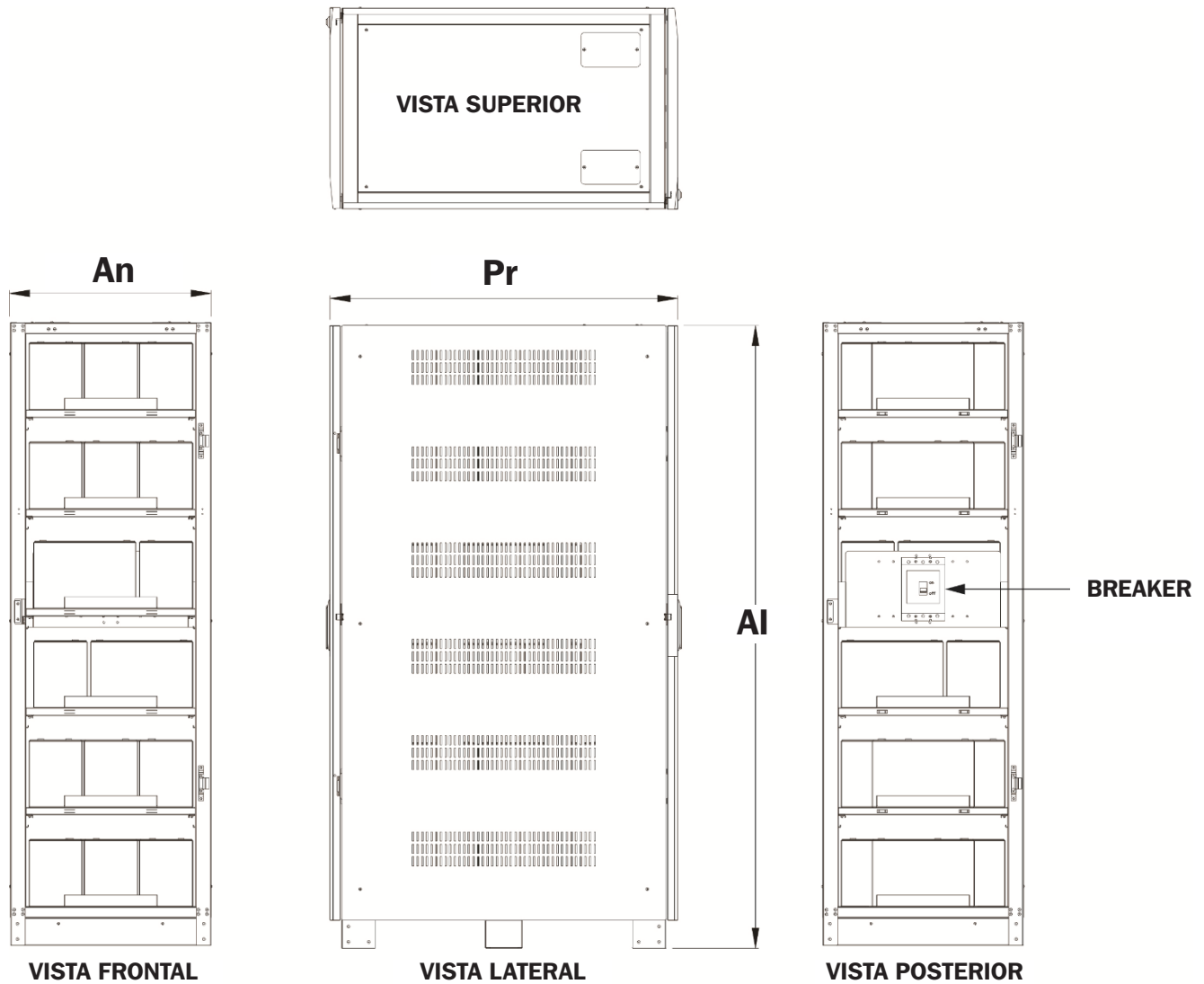
VISTA LATERAL



VISTA POSTERIOR



## 6. Datos Mecánicos



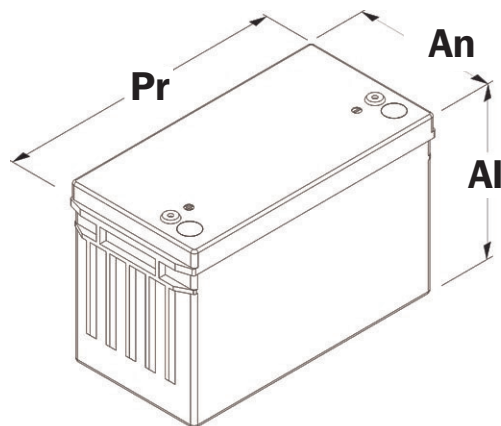
### 6.2 Requerimientos de la Batería

Tipo y Cantidad de Celdas de Plomo-Ácido: 12V 100Ah x 40 Baterías

Tamaño Máximo de la Batería de Plomo-Ácido (Al x An x Pr): 224 x 173 x 343 mm

Tipo de Terminal: Tornillo M6

Apriete de Terminal (aplica al modelo CSB GPL 121000): 138.6 kgf•cm/13.58 N•m



## 7. Instalación



**La instalación de la batería deberá llevarse a cabo sólo por personal de servicio calificado.**

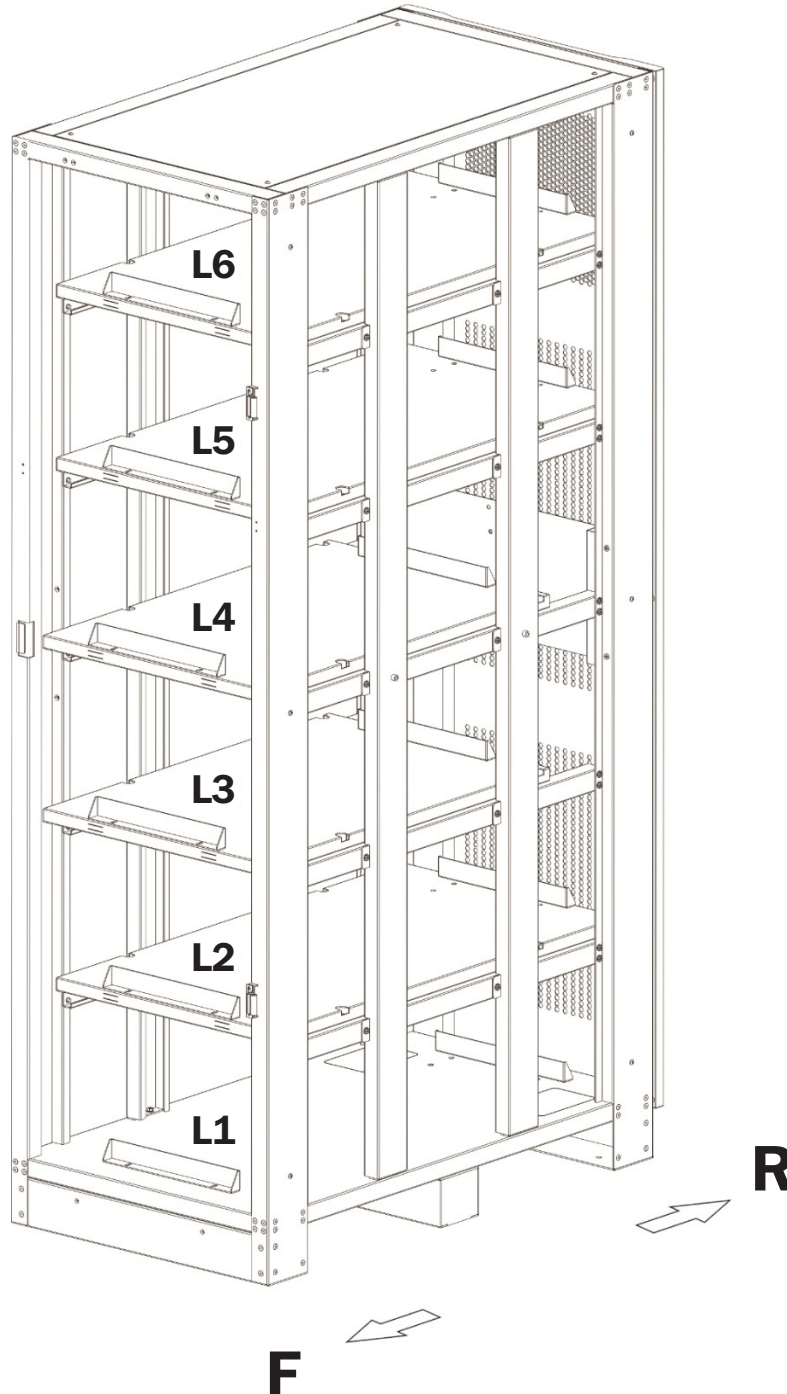
### 7.1 Pre-Instalación de la Batería

#### Gabinete de Baterías:

La "F" marca la parte delantera del gabinete de baterías; la "R" marca la parte trasera del gabinete de baterías.

#### Estructura de las repisas de la batería:

El gabinete incluye 6 repisas desde L1 (inferior) hasta L6 (superior).

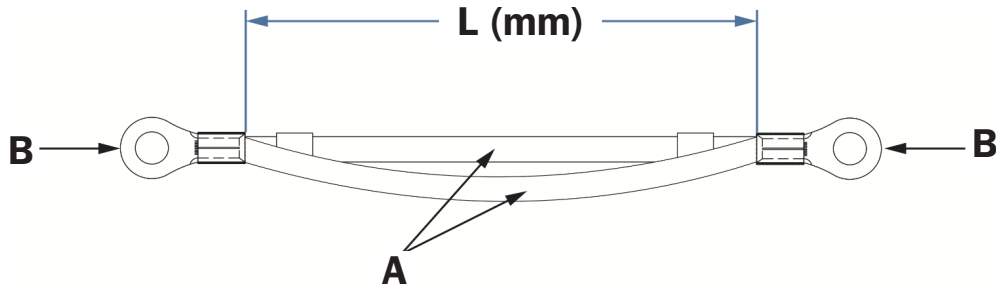


# 7. Instalación

## 7.2 Puentes de Cable y Cableado Interno

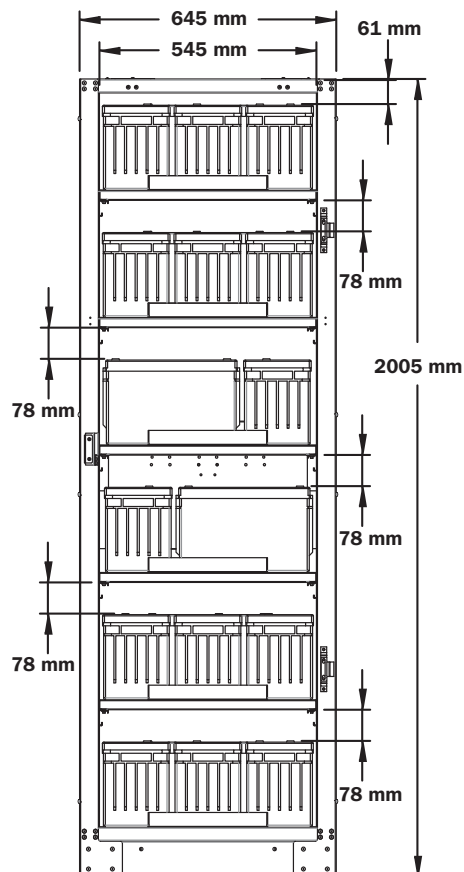
### 7.2.1 Especificaciones para los Puentes de Cable Incluidos

Doble alambre 1/0 AWG



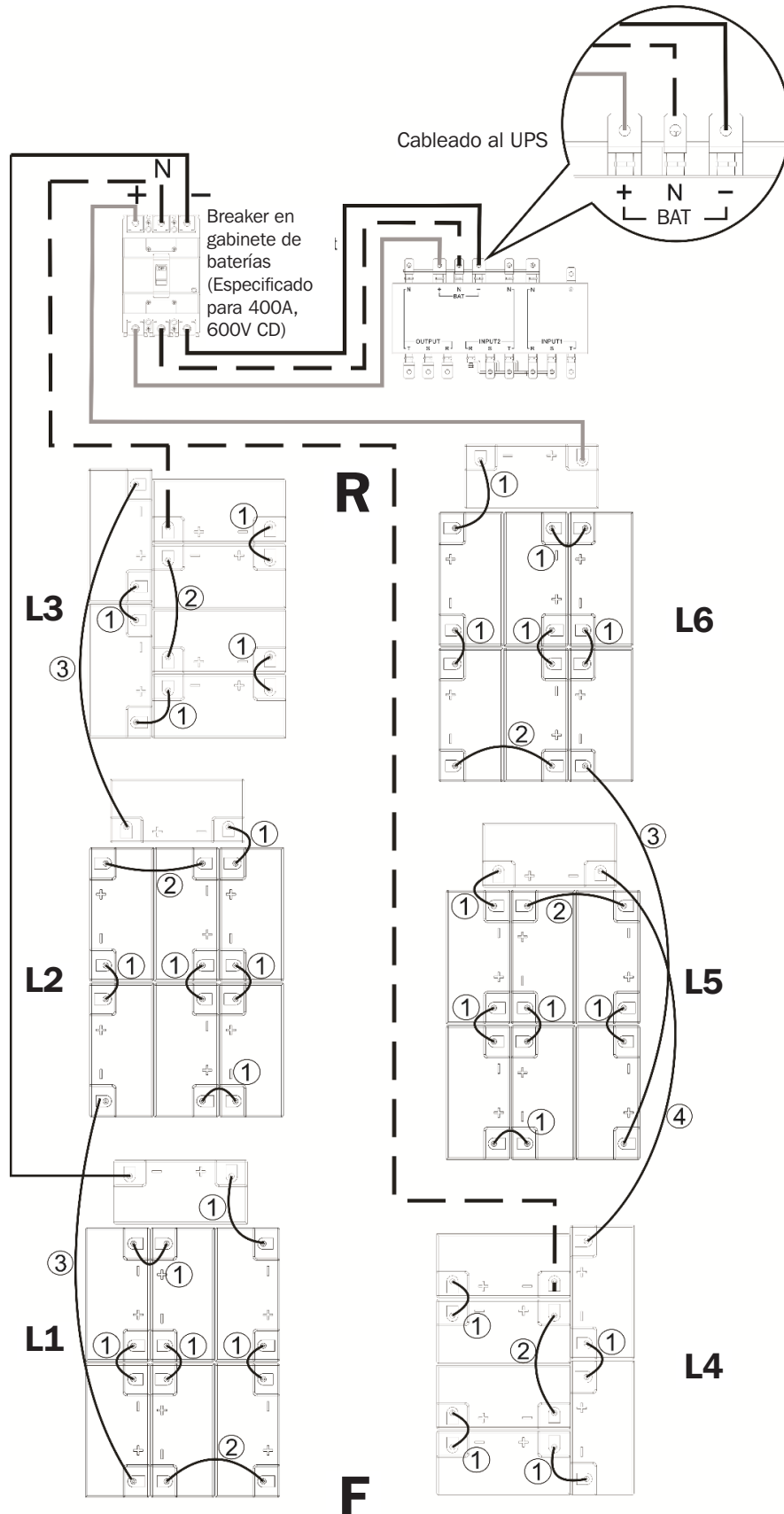
ÍTEM	DESCRIPCIÓN	UNIDAD	LONGITUD DE CABLE (mm)	CANTIDAD	NÚMERO DE CABLE
A	UL 1015#11 / 0 AWG NEGRO	mm	250	28	①
A	UL 1015#11 / 0 AWG NEGRO	mm	300	6	②
A	UL 1015#11 / 0 AWG NEGRO	mm	550	3	③
A	UL 1015#11 / 0 AWG NEGRO	mm	850	1	④
A	UL 1015#11 / 0 AWG NEGRO	mm	550	1	N
A	UL 1015#11 / 0 AWG NEGRO	mm	800	1	N
A	UL 1015#11 / 0 AWG NEGRO	mm	1250	1	BAT+
A	UL 1015#11 / 0 AWG NEGRO	mm	1200	1	BAT-
B	L/W PVC UL1015 TS #1/0 NEGRO	PIEZAS	—	84	—

### Distancia entre repisas de baterías



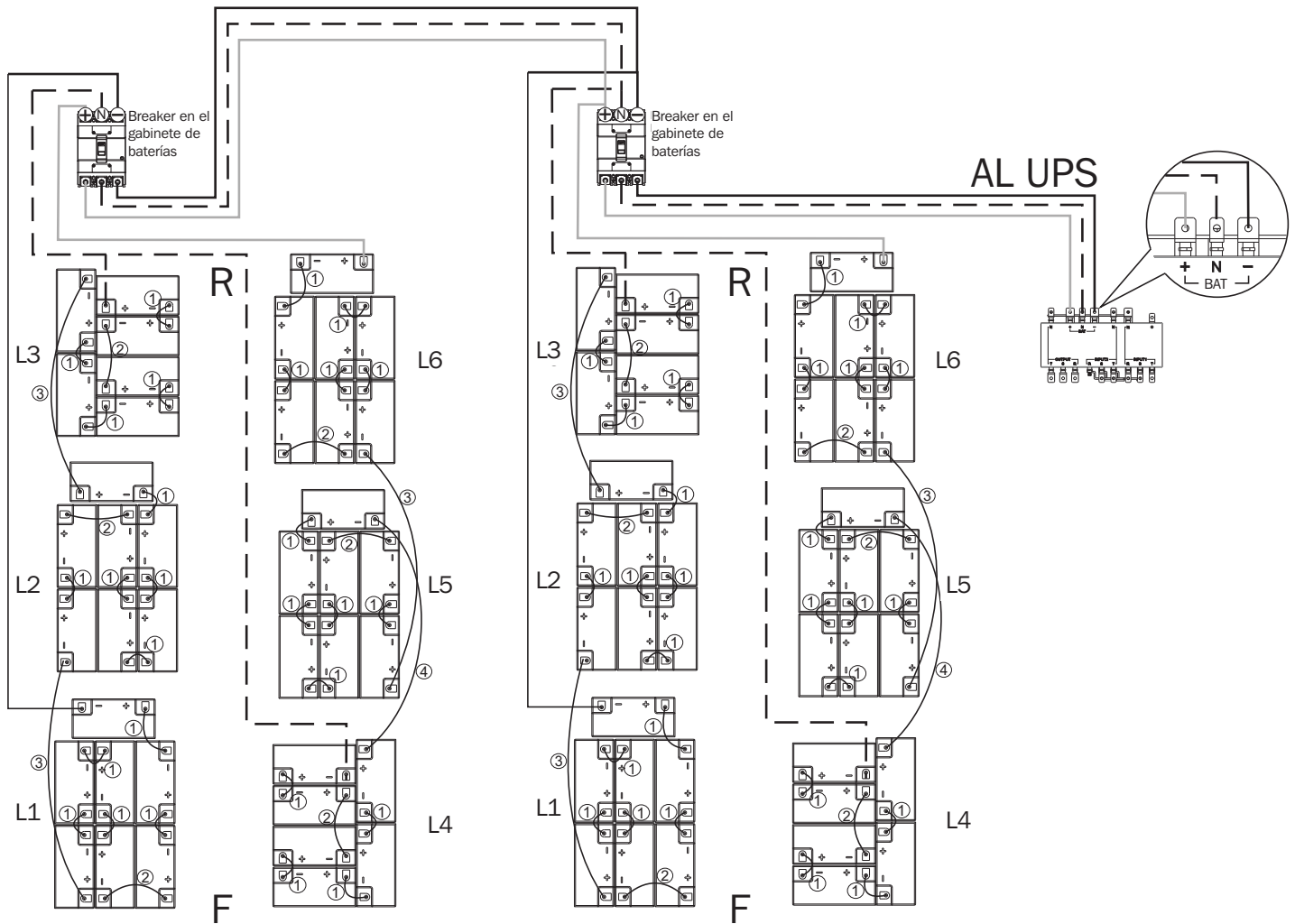
# 7. Instalación

## 7.2.2 Cableado Interno del Gabinete de Baterías



# 7. Instalación

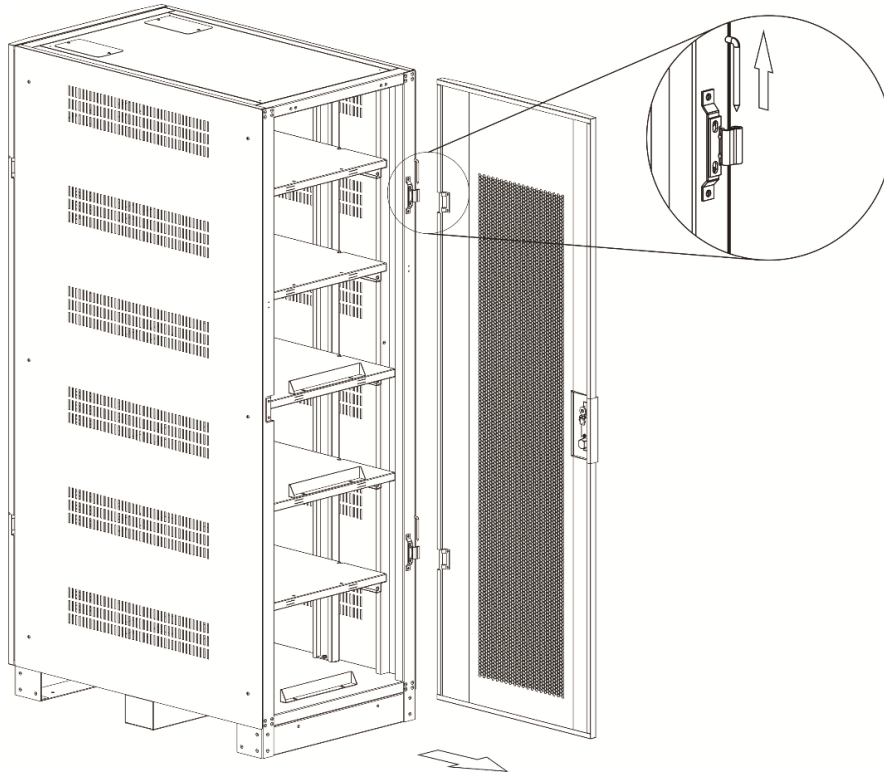
## 7.2.3 Instalación en Paralelo de Gabinete para Baterías



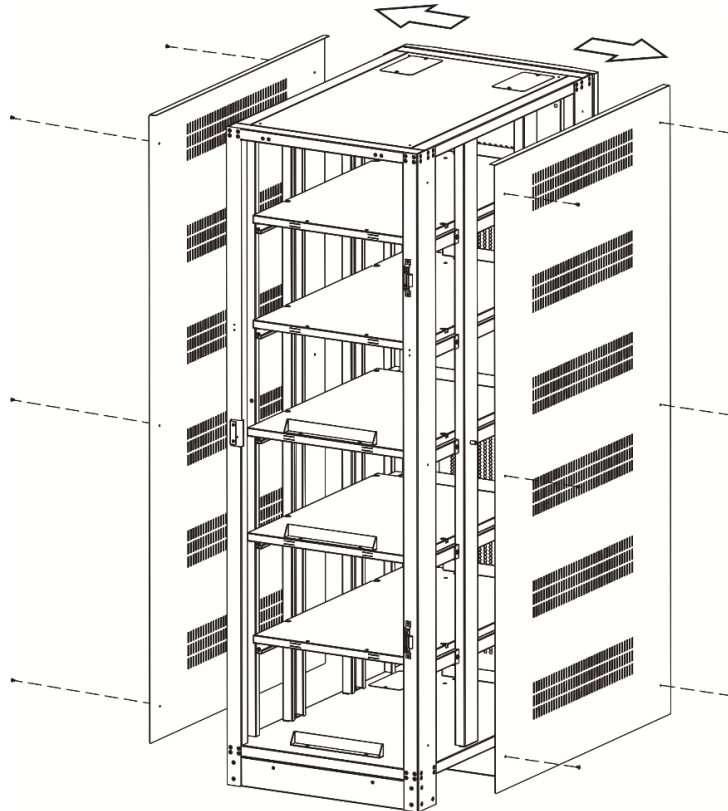
## 7. Instalación

### 7.3 Instalación de Batería

1. Saque el pasador de la bisagra de la puerta. Retire la puerta.

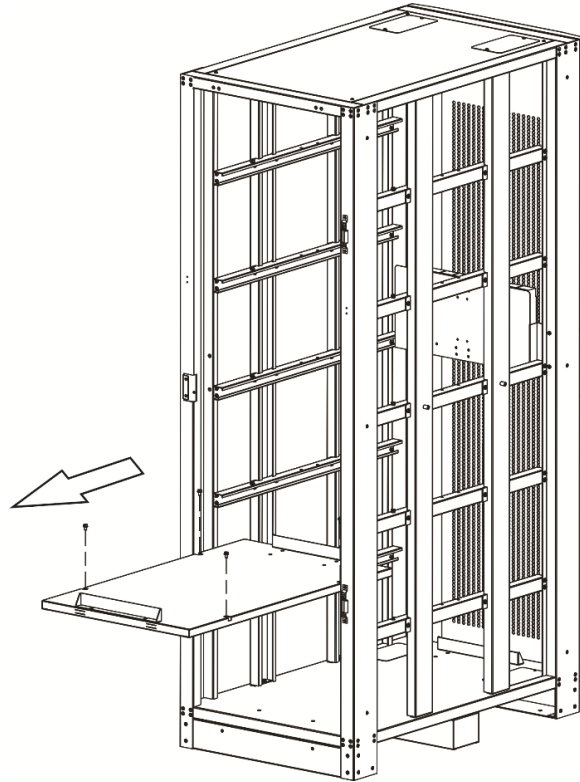


2. Desenrosque los tornillos M4 (12 piezas) con un desatornillador Phillips y retire los paneles laterales.

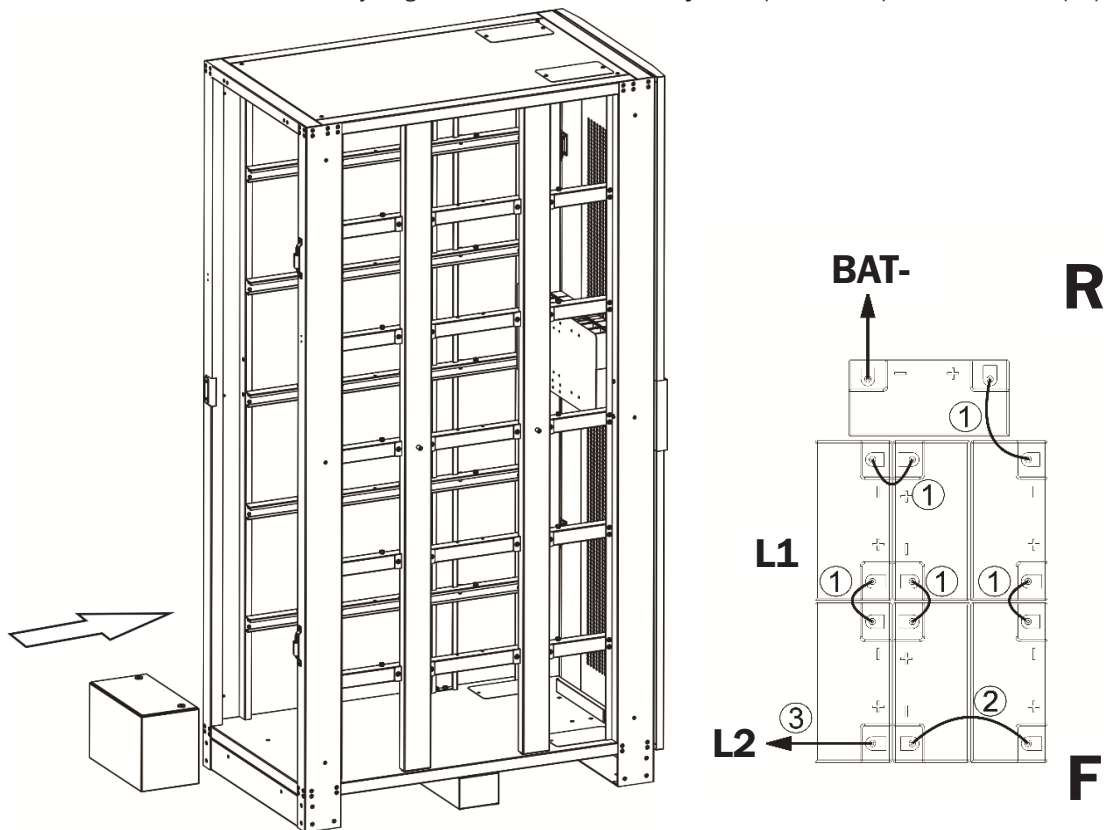


## 7. Instalación

3. Desenrosque los tornillos M6 (4 piezas) de cada bandeja de la batería. Retire todas las bandejas de baterías del gabinete.

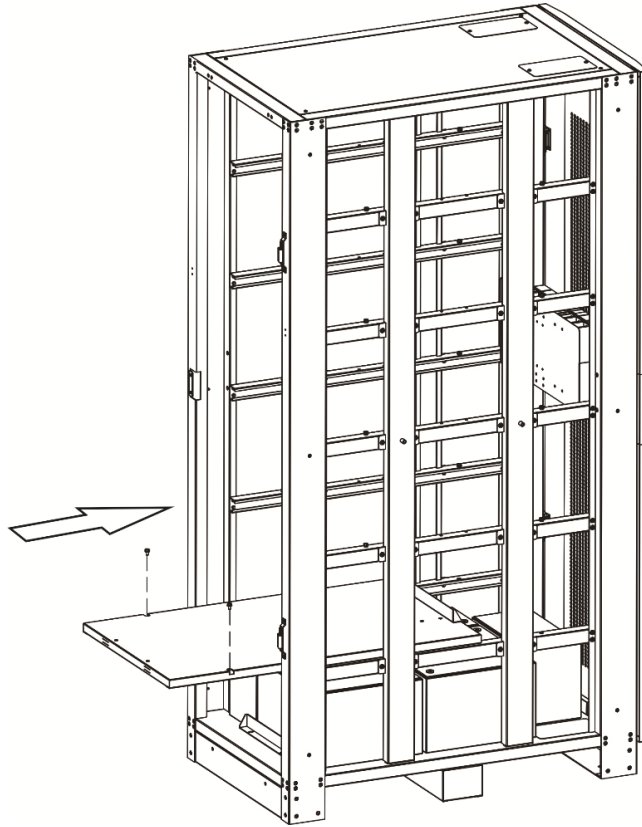


4. La instalación de las baterías en el gabinete comenzará desde abajo (L1) y finalizará en la parte superior (L6). Vea a continuación la figura derecha para el cableado interno "L1". Refiérase a la tabla y diagramas en **Secciones 7.1.1 y 7.2.2** para ver los puentes de cable apropiados necesarios.

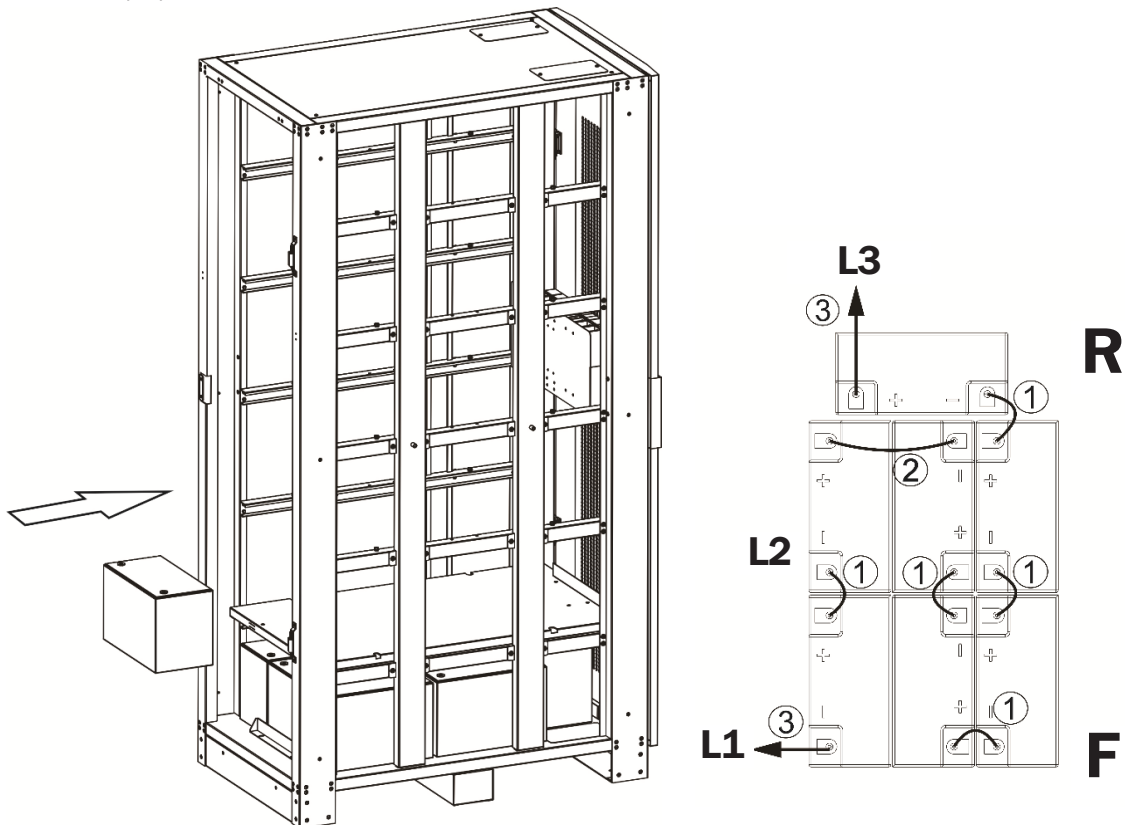


## 7. Instalación

5. Use los tornillos M6 guardados para asegurar la bandeja de batería para L2.



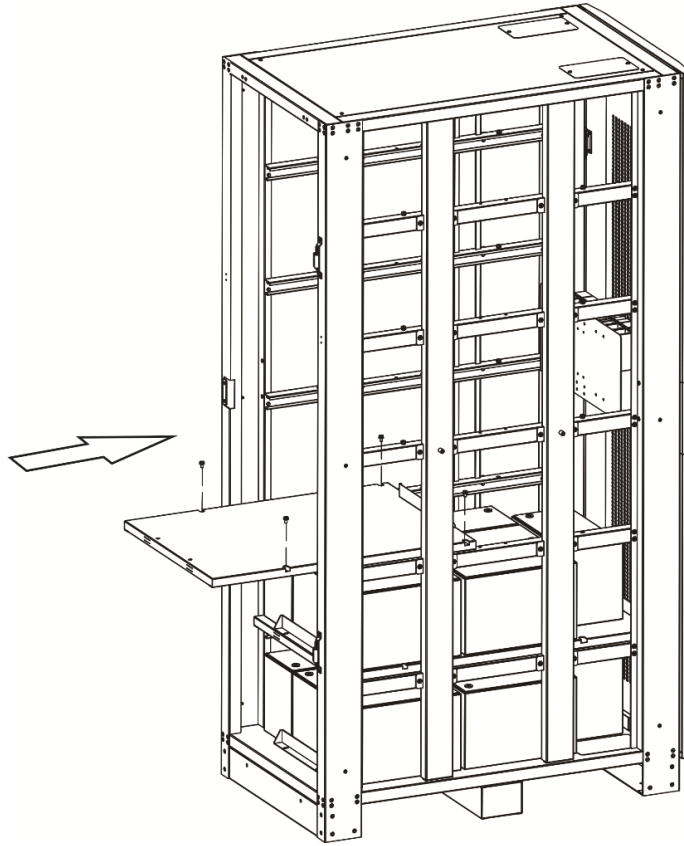
6. Vea el diagrama abajo a la derecha para el cableado interno "L2". Refiérase a la tabla y diagramas en **Secciones 7.1.1 y 7.2.2** para ver los puentes de cable apropiados necesarios.



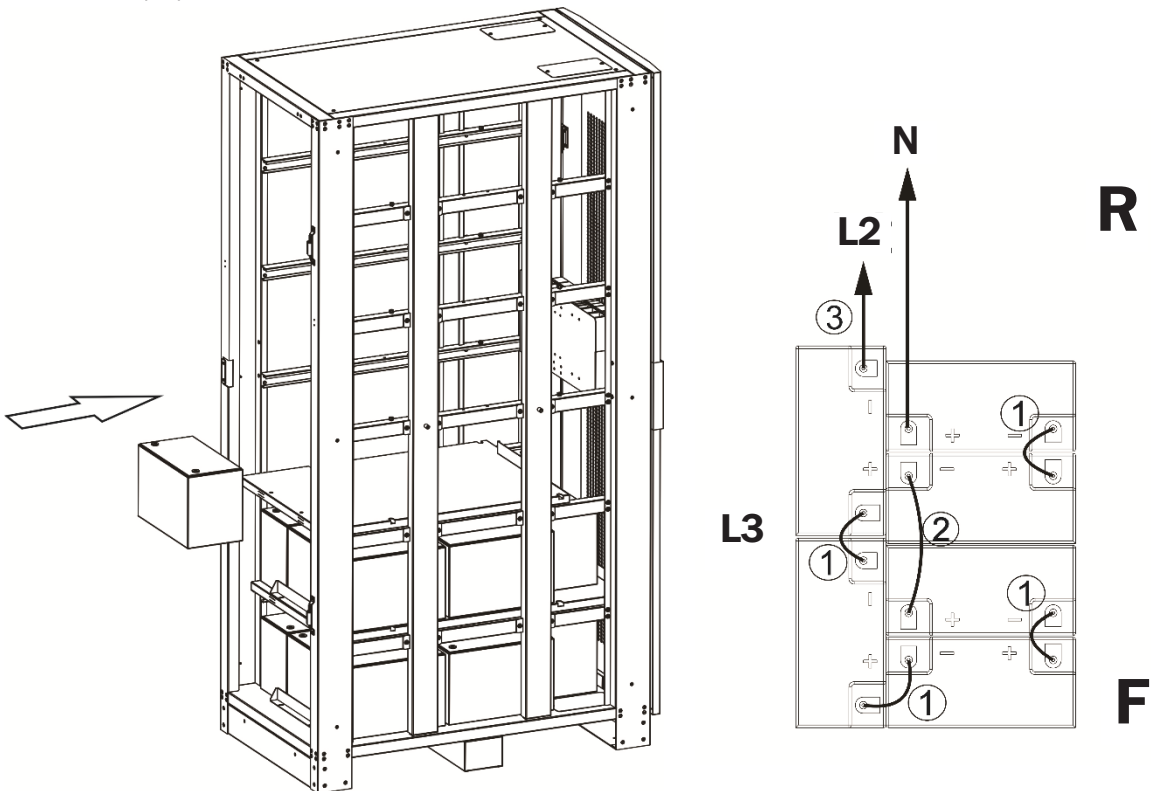


## 7. Instalación

7. Use los tornillos M6 guardados para asegurar la siguiente bandeja de batería para L3.

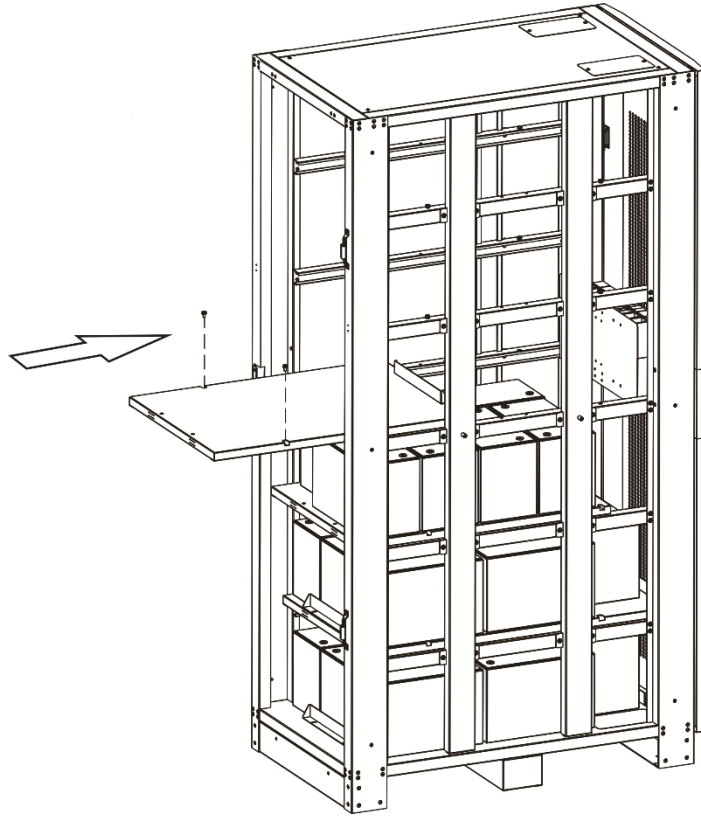


8. Vea el diagrama abajo a la derecha para el cableado interno "L3". Refiérase a la tabla y diagramas en **Secciones 7.1.1 y 7.2.2** para ver los puentes de cable apropiados necesarios.

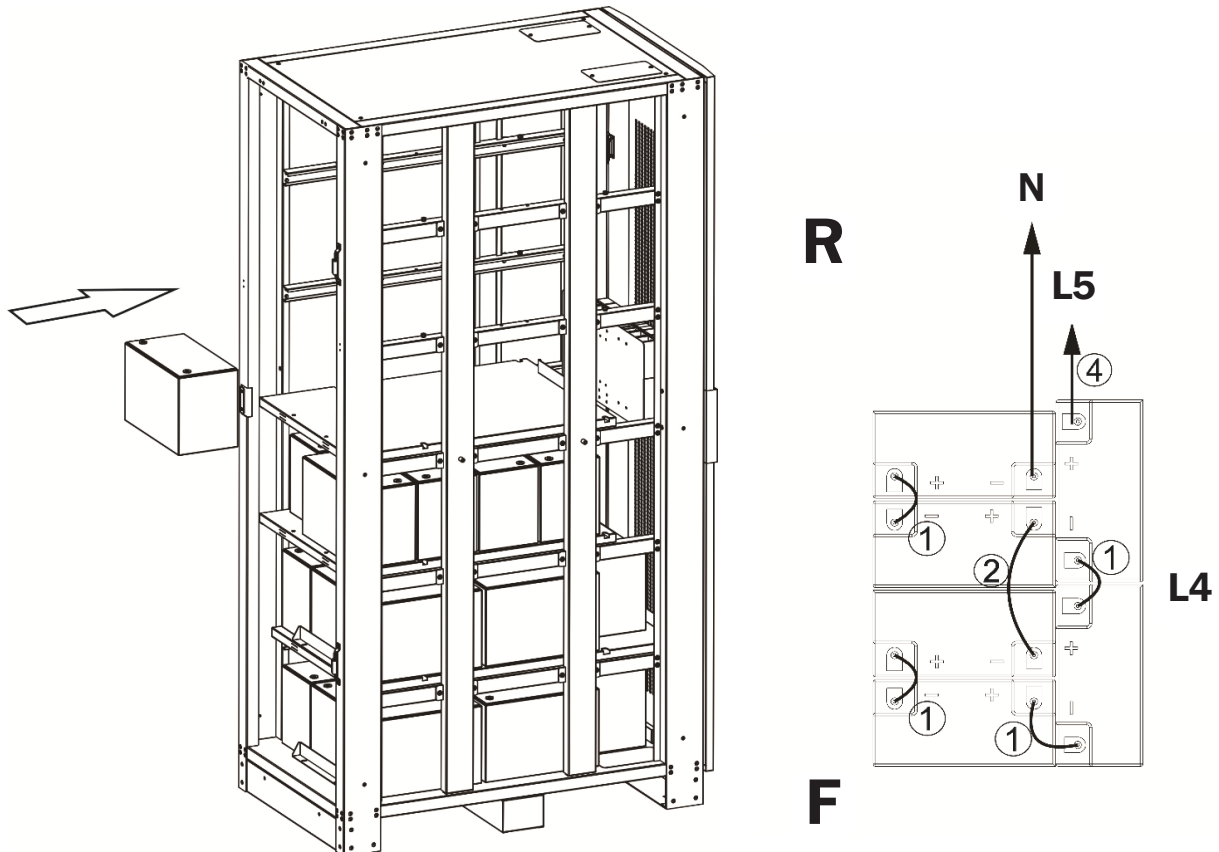


## 7. Instalación

9. Use los tornillos M6 guardados para asegurar la siguiente bandeja de batería para L4.

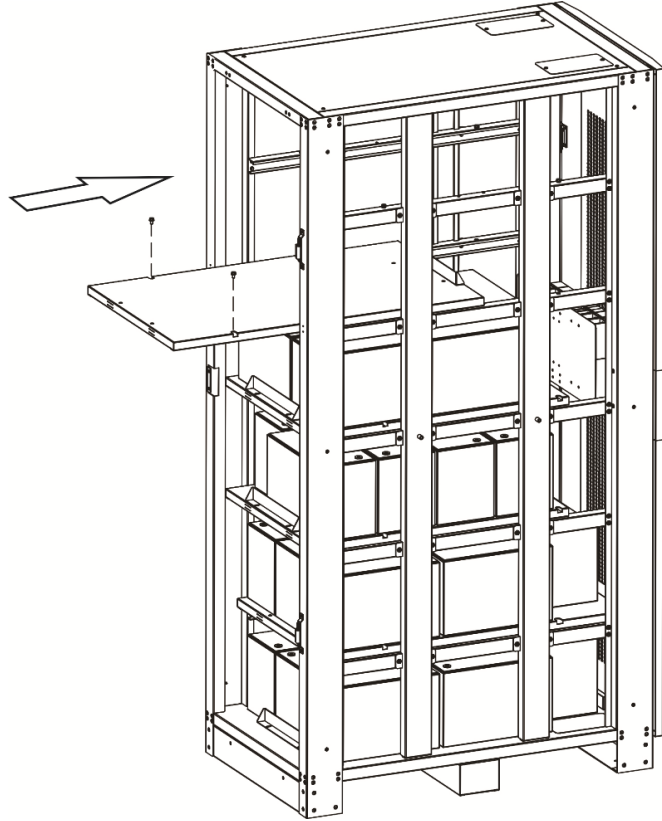


10. Vea el diagrama abajo a la derecha para el cableado interno "L4". Refiérase a la tabla y diagramas en **Secciones 7.1.1 y 7.2.2** para ver los puentes de cable apropiados necesarios.

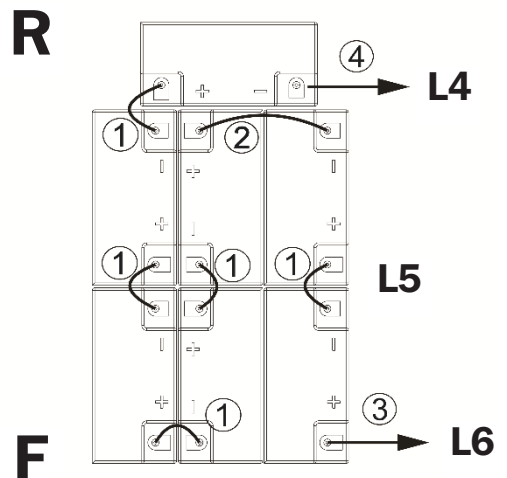
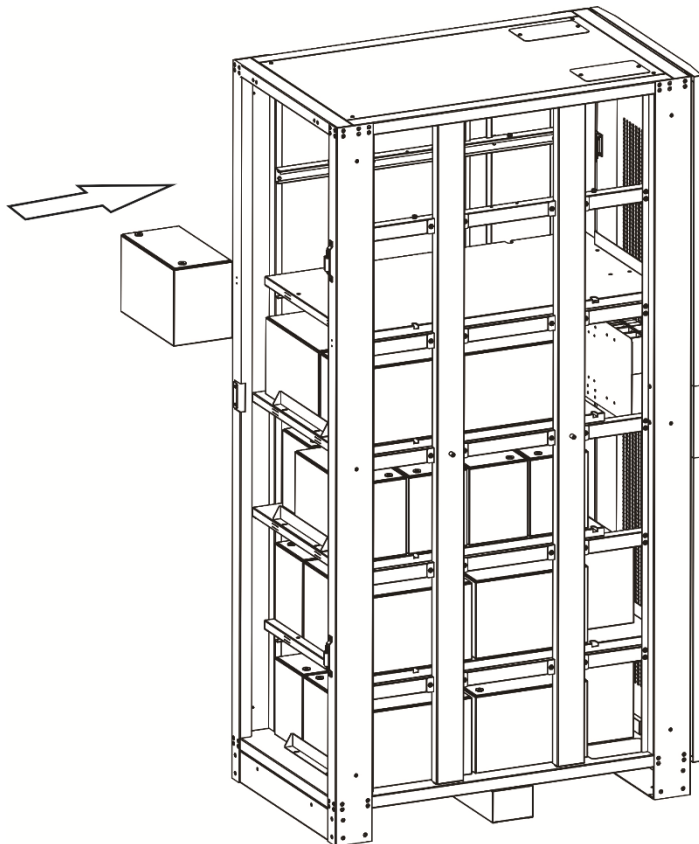


## 7. Instalación

11. Use los tornillos M6 guardados para asegurar la siguiente bandeja de batería para L5.

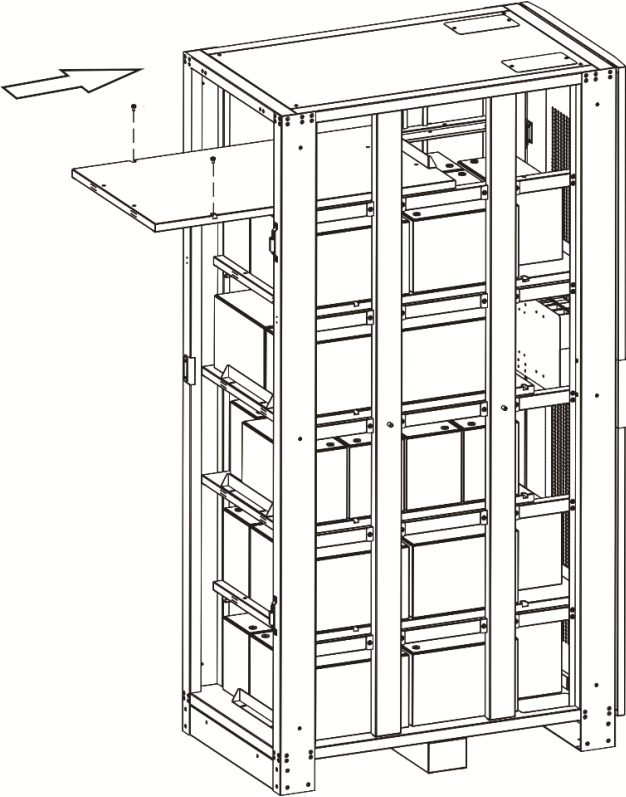


12. Vea el diagrama abajo a la derecha para el cableado interno "L5". Refiérase a la tabla y diagramas en **Secciones 7.1.1 y 7.2.2** para ver los puentes de cable apropiados necesarios.

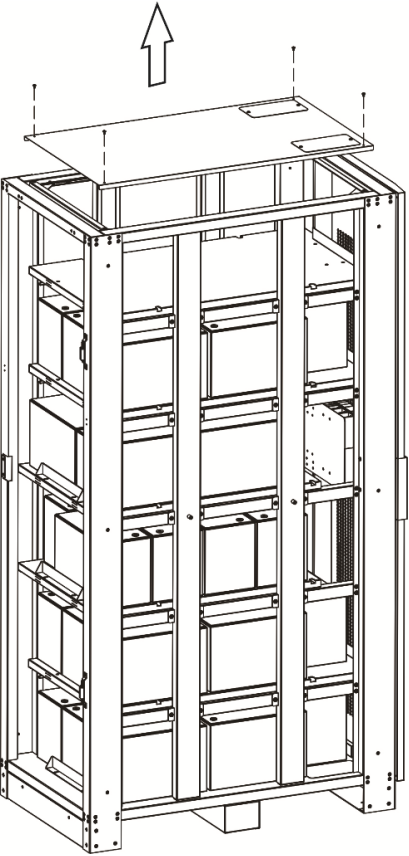


# 7. Instalación

13. Use los tornillos M6 guardados para asegurar la siguiente bandeja de batería para L6.

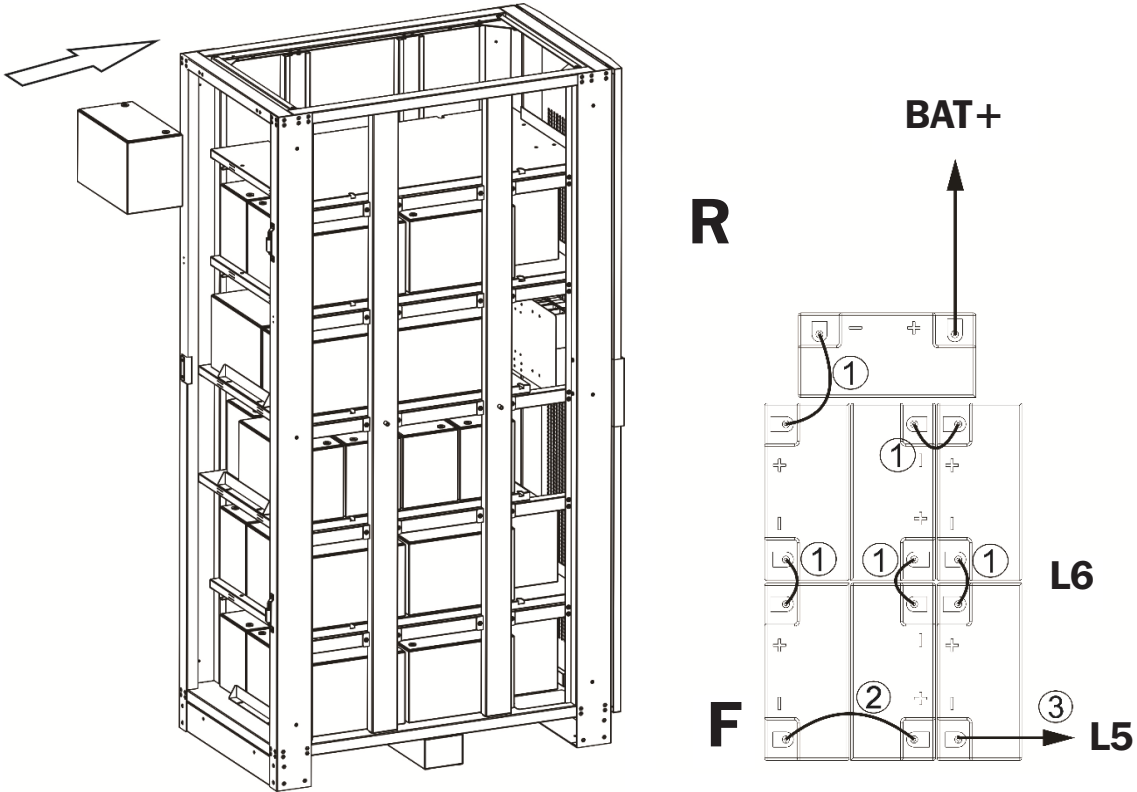


14. Quite los tornillos M4 (4 piezas) de la cubierta superior del gabinete y retírela.

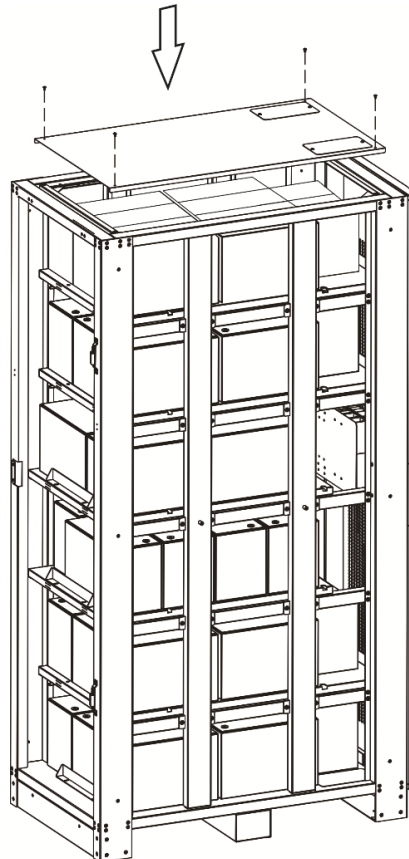


## 7. Instalación

15. Vea el diagrama abajo a la derecha para el cableado interno "L6". Refiérase a la tabla y diagramas en **Secciones 7.1.1 y 7.2.2** para ver los puentes de cable apropiados necesarios.

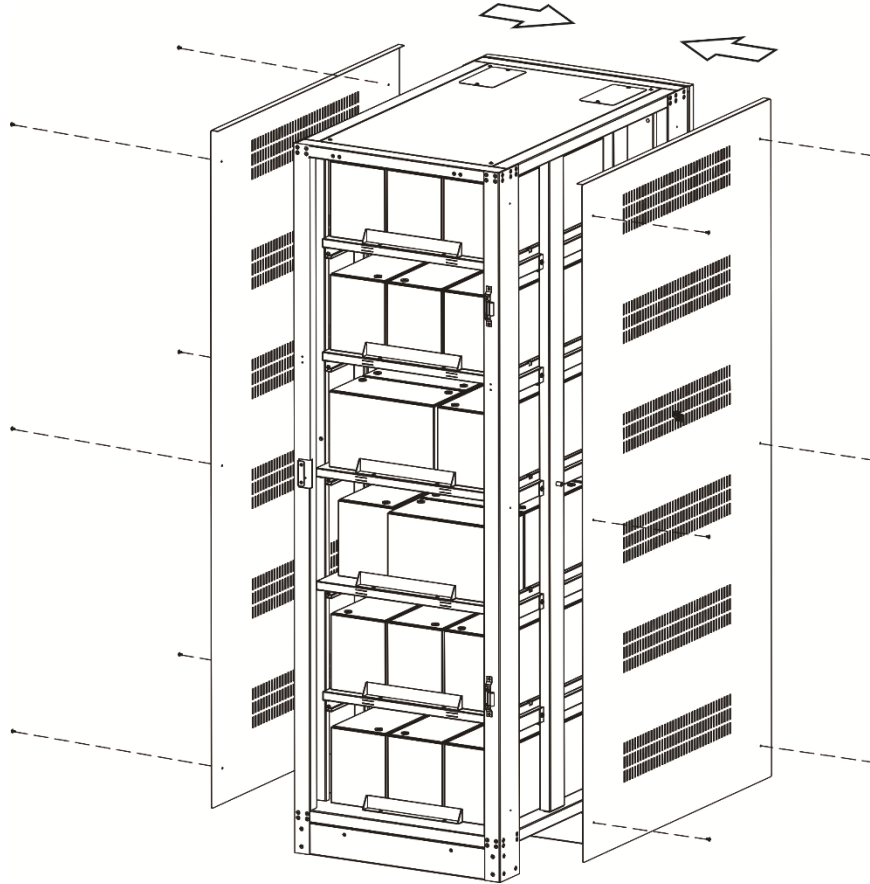


16. Utilice tornillos M4 para reinstalar y asegurar la tapa al bastidor del gabinete de baterías.

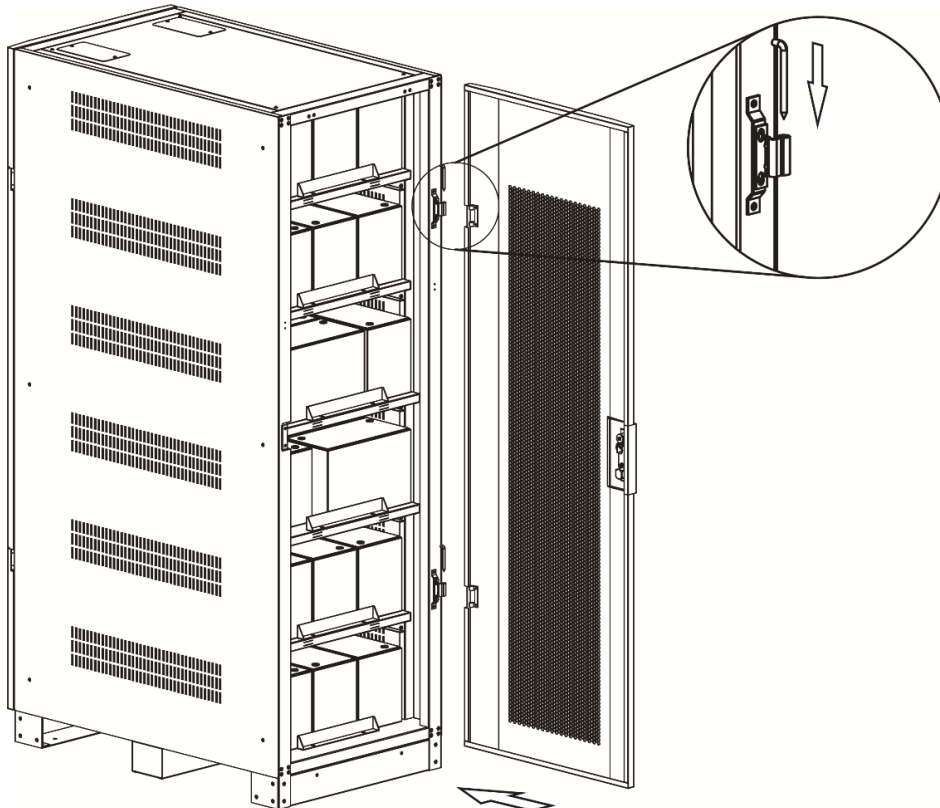


## 7. Instalación

17. Utilice los tornillos M4 guardados para reinstalar y asegurar los paneles laterales al bastidor del gabinete de baterías.



18. Vuelva a instalar la puerta delantera y vuelva a colocar el pasador a la bisagra de la puerta.



## 7. Instalación

### 7.4. Especificaciones para la Instalación

#### 7.4.1 Información de la Instalación y Carga del Piso

Modelo del Gabinete de Baterías	Repisas	Dimensiones (Al x An x Pr)	Ruedas	Peso	Carga en el Piso
BP480V370	6	2005 x 650 x 1100 mm	N	1606 kg	1187 kg/m <sup>2</sup>
BP480V370NB	6	2005 x 650 x 1100 mm	N	266 kg	1187 kg/m <sup>2</sup>

#### 7.4.2 Apriete Recomendado

Modelo del Gabinete de Baterías	Modelo de Unidad de Batería Individual	Tipo de Terminal	Fuerza de Torsión (Apriete)
BP480V370	CSB GPL 121000	Inserto Roscado M6	138.6 kgf•cm/120.3 lbf•pulgada/ 13.58 N•m
BP480V370NB	N/A	N/A	N/A

## 8. Almacenamiento y Servicio

### Almacenamiento

El gabinete de batería debe almacenarse en un ambiente limpio y seguro con una temperatura inferior a 40 °C [104 °F] y una humedad relativa inferior al 90% (sin condensación). De ser posible, almacene el gabinete de baterías en su contenedor de embarque original. Cargar las baterías por lo menos 24 horas antes de usarlas. No confíe en el gabinete de baterías para proporcionar energía de respaldo hasta que las baterías estén completamente cargadas.

Nota: Si el sistema UPS permanece apagado por un período prolongado, debe encenderse para permitir recargar las baterías. Debe encenderse el UPS y recargarse las baterías por un período de al menos 24 horas ininterrumpidas cada 3 meses. La omisión en cargar las baterías periódicamente puede causar un daño irreversible a la batería.

### Servicio

Su producto Tripp Lite está cubierto por la garantía descrita en este manual. Está disponible una variedad de Programas de Garantía Extendida y Servicio En el Sitio por parte de Tripp Lite. Para información adicional acerca del servicio, visite [www.tripplite.com/support](http://www.tripplite.com/support). Antes de regresar su producto para servicio, siga estos pasos:

1. Revise los procedimientos de instalación y operación en este manual para asegurarse de que el problema de servicio no se origina por una mala lectura de las instrucciones.
2. Si el problema persiste, no se ponga en contacto ni regrese el producto al distribuidor. En vez de ello, visite [www.tripplite.com/support](http://www.tripplite.com/support).
3. Si el problema requiere servicio, visite [www.tripplite.com/support](http://www.tripplite.com/support) y haga click en la liga Product Returns. Desde aquí usted puede solicitar un número de Autorización de Devolución de Mercancía (RMA) que se requiere para servicio. Esta sencilla forma en línea solicitará los números de modelo y serie de su unidad junto con otra información general del comprador. El número de RMA junto con las instrucciones de embarque le serán enviadas por correo electrónico.

Cualquier daño (directo, indirecto, especial o consecuencial) al producto incurrido durante el embarque a Tripp Lite o un Centro de Servicio Autorizado de Tripp Lite no está cubierto bajo la garantía. Los productos embarcados a Tripp Lite o un Centro de Servicio Autorizado de Tripp Lite deben tener los cargos del transporte prepagados. Marque el número de RMA en el exterior del empaque. Si el producto está dentro del período de garantía, adjunte una copia de su recibo de venta. Regrese el producto para servicio usando un transportista asegurado a la dirección proporcionada a usted cuando solicitó la RMA.

## 9. Garantía

### Garantía Limitada

El vendedor garantiza este producto, si se usa de acuerdo con todas las instrucciones aplicables, de que está libre de defectos en material y mano de obra por un período de 1 año a partir de la fecha de compra inicial. Si el producto resultara defectuoso en material o mano de obra dentro de ese período, el vendedor reparará o reemplazará el producto a su entera discreción. El servicio cubierto por esta garantía incluye partes y mano de obra en un centro de servicio de Tripp Lite. En Tripp Lite están disponibles planes de servicio en sitio a través de socios de servicio autorizados (en la mayoría de las áreas). Para más detalles, visite [www.tripplite.com/support](http://www.tripplite.com/support). Los clientes internacionales deben ponerse en contacto con el soporte de Tripp Lite en [intlservice@tripplite.com](mailto:intlservice@tripplite.com).

ESTA GARANTÍA NO SE APLICA AL DESGASTE NORMAL O A LOS DAÑOS QUE RESULTEN DE ACCIDENTES, USO INCORRECTO, USO INDEBIDO O NEGLIGENCIA. EL VENDEDOR NO OTORGA GARANTÍAS EXPRESAS DISTINTAS A LA ESTIPULADA EN EL PRESENTE. SALVO EN LA MEDIDA EN QUE LO PROHÍBAN LAS LEYES APLICABLES, TODAS LAS GARANTÍAS IMPLÍCITAS, INCLUYENDO TODAS LAS GARANTÍAS DE COMERCIALIZACIÓN O IDONEIDAD, ESTÁN LIMITADAS EN DURACIÓN AL PERÍODO DE GARANTÍA ESTABLECIDO; ASIMISMO, ESTA GARANTÍA EXCLUYE EXPRESAMENTE TODOS LOS DAÑOS INCIDENTALES E INDIRECTOS. (Algunos estados no permiten limitaciones en cuanto dura una garantía y algunos estados no permiten la exclusión de limitación de daños incidentales o indirectos, de modo que las limitaciones anteriores pueden no aplicar para usted. Esta Garantía le otorga derechos legales específicos y es posible que usted goce de otros derechos que pueden variar de una jurisdicción a otra).

Tripp Lite; 1111 W. 35th Street; Chicago IL 60609; EE. UU.

ADVERTENCIA: antes de usarlo, cada usuario debe tener cuidado al determinar si este dispositivo es adecuado o seguro para el uso previsto. Ya que las aplicaciones individuales están sujetas a gran variación, el fabricante no garantiza la adecuación de estos dispositivos para alguna aplicación específica.

### Números de Identificación de Conformidad Regulatoria

Para el propósito de certificaciones e identificación de conformidad con las normas, su producto Tripp Lite ha recibido un número de serie exclusivo. El número de serie se puede encontrar en la etiqueta de placa de identificación, junto con todas las marcas e información requeridas de aprobación. Al solicitar información de conformidad para este producto, refiérase siempre al número de serie. El número de serie no debe confundirse con el nombre de la marca o el número de comercialización del producto.

Tripp Lite tiene una política de mejora continua. Las especificaciones están sujetas a cambios sin previo aviso.



1111 W. 35th Street, Chicago, IL 60609 EE. UU. • [www.tripplite.com/support](http://www.tripplite.com/support)

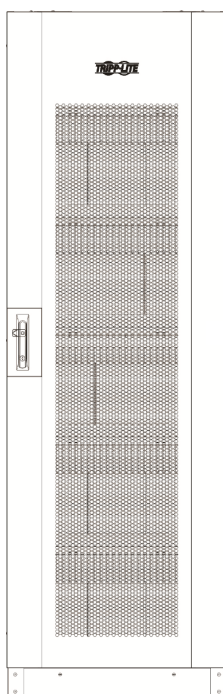


# Руководство пользователя

## Шкаф для установки аккумуляторных батарей с увеличенным временем работы

Модели: BP480V370, BP480V370NB

Не предназначено для передвижной техники.



**TRIPP·LITE**



1111 W. 35th Street, Chicago, IL 60609 USA • [www.tripplite.com/support](http://www.tripplite.com/support)

Охраняется авторским правом © 2018 Tripp Lite. Перепечатка запрещается.

# Содержание

<b>1. Введение</b>	<b>2</b>	<b>5. Уход за изделием</b>	<b>7</b>
Функциональные возможности	2	<b>5.1 График технического обслуживания</b>	7
<b>2. Важные указания по технике безопасности</b>	<b>3</b>	5.1.1 Ежеквартальная проверка	7
Предупреждения относительно порядка и места установки	3	<b>6. Механические характеристики</b>	<b>8</b>
Предупреждения относительно подключения	3	<b>6.1 Физические измерения</b>	8
Предупреждения относительно батарей	4	<b>6.2 Требования к батареям</b>	9
<b>3. Установка батарейного шкафа</b>	<b>4</b>	<b>7. Установка</b>	<b>10</b>
<b>3.1 Подготовка</b>	4	<b>7.1 Подготовка к установке батарей</b>	10
<b>3.2 Транспортировка</b>	5	<b>7.2 Кабельные перемычки и внутренняя разводка</b>	11
<b>3.3 Проверка на наличие механических повреждений</b>	5	7.2.1 Характеристики кабельных перемычек, входящих в комплект	11
<b>3.4 Внутренняя разводка (типовая схема)</b>	5	7.2.2 Внутренняя разводка батарейного шкафа	12
<b>3.5 Предварительная проверка электрических параметров (после установки батарей)</b>	5	7.2.3 Установка батарейных шкафов с параллельным подключением	13
<b>3.6 Размещение батарейного шкафа</b>	5	<b>7.3 Установка батарей</b>	14
<b>3.7 Подключение к электрической нагрузке</b>	6	<b>7.4 Требования к установке</b>	23
<b>3.8 Окончательная проверка электрических параметров</b>	6	7.4.1 Информация по установке и допустимой нагрузке на пол	23
<b>4. Эксплуатация и зарядка</b>	<b>7</b>	7.4.2 Рекомендуемые моменты затяжки	23
<b>4.1 Определение зарядных напряжений</b>	7	<b>8. Хранение и техническое обслуживание</b>	<b>23</b>
<b>4.2 Первоначальная зарядка</b>	7	<b>9. Гарантийные обязательства</b>	<b>24</b>
<b>4.3 Эксплуатационная проверка</b>	7	<b>English</b>	<b>1</b>
		<b>Español</b>	<b>25</b>

## 1. Введение

Шкафы Tripp Lite для установки аккумуляторных батарей с увеличенным временем работы подключаются к ИБП серии SmartOnline с целью обеспечения длительного аварийного питания от батарей для центров обработки данных, систем телекоммуникаций, сетевого оборудования, промышленных объектов, охранных, аварийных и других критически важных систем, нуждающихся в ИБП с высокой производительностью, высокой доступностью и увеличенным временем автономной работы.

### Функциональные возможности

- Батарейные шкафы выпускаются в двух вариантах исполнения: BP480V370 и BP480V370NB. Конструкция модели BP480V370 включает перемычки, зажимы, автоматический выключатель и 40 батарей CSB GPL 121000. Изделие поставляется на отдельном поддоне и полностью укомплектовано для установки. Модель BP480V370NB представляет собой аналогичный комплект, но без батарей, что обеспечивает пользователю возможность отдельного приобретения батарей для установки в этот шкаф.
- Батарейные шкафы рассчитаны на напряжение 480 В постоянного тока и емкость 100 А·ч при использовании батарей класса C20 с полной разрядкой при 1,67 В на ячейку.
- Батарейные шкафы вмещают в себя большое число аккумуляторных батарей напряжением 12 В=, подключаемых последовательно для получения более высоких напряжений. Возможно параллельное подключение до 3 батарейных шкафов с целью продления времени работы.
- Каждый батарейный шкаф имеет 6 полок с 5, 6 или 7 (максимум) батареями на каждой полке.
- Навесная запирающаяся дверца облегчает доступ к батареям для периодического техобслуживания.
- Для обеспечения доступности зажимов необходимо наличие просвета над батареями величиной не менее 130 мм.
- Конструкция батарейного шкафа представляет собой каркас из стального профиля большого сечения.
- Термообработанное порошковое покрытие обеспечивает стойкость к шелушению и коррозии.
- На время транспортировки батарейный шкаф притягивается болтами к поддону, обертывается двухслойной саморастягивающейся защитной пленкой и снабжается цельным кожухом для защиты углов и верхней поверхности.
- Надлежащая вентиляция и конвекционное охлаждение отдельных батарей обеспечиваются зазором между батареями. Передние и задние вентиляционные отверстия обеспечивают возможность свободного выхода нагретого воздуха за пределы батарейного шкафа.
- Для защиты от перегрузок по току изделие снабжается автоматическим выключателем в литом корпусе.
- Выходные кабели электропитания (в комплект поставки не входят) могут вводиться внутрь батарейного шкафа через выбивные отверстия в верхней панели шкафа.
- В целях повышения безопасности, увеличения удельной мощности и минимизации потребности в техническом обслуживании шкафы комплектуются клапанно-регулируемыми свинцово-кислотными аккумуляторными батареями с рекомбинацией газа. В этих батареях обеспечивается иммобилизация электролита в сепараторе из гигроскопичного материала или гелеобразующей среде, что исключает опасность его расплескивания и потребность в техническом обслуживании, свойственные батареям со свободным жидким электролитом. При использовании этих батарей отсутствует необходимость в доливании воды или измерении плотности электролита.
- Поскольку эти батареи представляют собой аккумуляторные элементы с использованием цикла рекомбинации кислорода, это обеспечивает минимальное газовыделение при обычной зарядке на холостом ходу. Каждый аккумуляторный элемент снабжен отдельным клапаном для отвода газообразных продуктов перезарядки и предотвращения нежелательного повышения давления внутри элемента.

## 2. Важные указания по технике безопасности

### СОХРАНИТЕ НАСТОЯЩИЕ УКАЗАНИЯ

Во всех разделах настоящего руководства содержатся указания и предупреждения, которые необходимо соблюдать в процессе установки и эксплуатации описанного в нем батарейного шкафа. Внимательно изучите ВСЕ указания, прежде чем приступить к перемещению, установке или подключению приобретенного вами батарейного шкафа.

Игнорирование этих предупреждений может привести к аннулированию гарантии и причинить существенный материальный ущерб и/или вред здоровью людей.



### ВНИМАНИЕ! ВЫСОКОЕ НАПРЯЖЕНИЕ ОПАСНО ДЛЯ ЖИЗНИ!

Все электромонтажные работы должны выполняться квалифицированным электромехаником с учетом предупреждений, изложенных в настоящем руководстве, а также всех действующих электротехнических норм и правил техники безопасности. Неправильный монтаж может причинить существенный вред здоровью людей и материальный ущерб.

### Предупреждения относительно порядка и места установки

- Батарейный шкаф должен быть установлен в закрытом помещении с регулируемыми условиями микроклимата вдали от источников влаги и экстремальных температур, воспламеняющихся жидкостей и газов, электропроводных загрязнителей, пыли и прямого солнечного света.
- Батарейный шкаф должен быть установлен на ровной и конструкционно прочной поверхности.
- Батарейный шкаф является крайне тяжеловесным. При его перемещении и подъеме необходимо соблюдать особую осторожность.
- Эксплуатация батарейного шкафа допускается только при температурах от 0 до 40°C. Для обеспечения наилучших результатов его работы следует поддерживать внутри помещения температуру на уровне 25°C.
- Перед батарейным шкафом и позади него необходимо обеспечить достаточно свободного пространства для его надлежащего проветривания. Не загромождайте и не накрывайте внешние вентиляционные отверстия батарейного шкафа, а также не вставляйте в них какие-либо предметы.
- Не кладите на батарейный шкаф какие-либо предметы, особенно контейнеры с жидкостями.
- Не устанавливайте батарейные шкафы друг на друга. Установка батарейных шкафов друг на друга может привести к их необратимому повреждению и создать опасность причинения тяжелого вреда здоровью людей.
- Не пытайтесь распаковывать или перемещать батарейный шкаф в одиночку. Используйте соответствующее подъемно-транспортное оборудование, рассчитанное на массогабаритные параметры батарейного шкафа, а именно грузовые подъемники, роклы и вилочные погрузчики. (Полностью выдвигайте вилочные захваты под груз. Разводите вилочные захваты под грузом на максимально возможную ширину. Поднимать шкаф следует только снизу. Пользуйтесь защитной обувью).
- На случай возникновения аварийной ситуации установите рядом с батарейным шкафом огнетушитель, рассчитанный на возгорание электрооборудования, находящегося под напряжением (класса С или строго соответствующий ему и заправленный огнетушащим составом, не проводящим электрического тока).

### Предупреждения относительно подключения

- Внутри батарейного шкафа имеются опасные для жизни высокие напряжения, способные причинить вред здоровью или стать причиной гибели в результате поражения электрическим током.
- Батарейный шкаф имеет собственный источник энергии. Выходные зажимы могут находиться под напряжением даже в том случае, если батарейный шкаф не подключен к ИБП.
- Батарейный шкаф должен быть надлежащим образом заземлен в соответствии со всеми действующими правилами электромонтажа.
- Не рекомендуется использование данного оборудования в системах жизнеобеспечения, где его выход из строя предположительно может привести к перебою в работе оборудования жизнеобеспечения или в значительной мере снизить его безопасность или эффективность.
- Перед прокладкой кабелей или выполнением электрических соединений следует отключить все источники входного и выходного питания.
- Для обеспечения возможности технического обслуживания батарейного шкафа используйте гибкий кабель достаточной длины.
- Для изоляции оголенных частей концевых кабельных заделок и предотвращения замыкания истертых концов на клеммные колодки используйте защитные полимерные втулки. Используйте кабели класса VW-1, FT-1 или выше. Используйте кабельные муфты и соединительные элементы с фиксирующими зажимами.
- Убедитесь в том, что все кабели имеют правильную маркировку в соответствии с их назначением, полярностью и диаметром.
- Соблюдайте правильную полярность с учетом маркировки положительных и отрицательных полюсов на корпусе шкафа. Несоблюдение полярности может привести к повреждению батарей и создать серьезную опасность причинения вреда здоровью людей и имущественного ущерба.
- Электромонтажные работы должны производиться только электромеханиками, имеющими соответствующую подготовку и квалификацию. Рекомендуемые размеры проводов см. в Руководстве пользователя ИБП.

## 2. Важные указания по технике безопасности

### Предупреждения относительно батарей

- Батареиный шкаф не требует регулярного технического обслуживания со стороны пользователя. Внутри него нет деталей, обслуживаемых пользователем. Открывание внешних панелей по любой причине должно производиться только квалифицированными и компетентными специалистами по обслуживанию и ремонту, информированными обо всех требуемых мерах предосторожности. Не допускайте нахождения постороннего персонала вблизи батарей.
- В батарейном шкафу находятся клапанно-регулируемые свинцово-кислотные аккумуляторные батареи с рекомбинацией газа. Не добавляйте в эти батареи воду и не измеряйте плотность находящегося в них электролита.
- Клапанно-регулируемые свинцово-кислотные аккумуляторные батареи с рекомбинацией газа (VRLA) могут содержать взрывоопасную смесь газообразного водорода. НЕ КУРИТЬ вблизи батарей. НЕ допускать образования пламени или искр вблизи батарей. Перед прикосновением к батареям необходимо нейтрализовать накопленный на теле электростатический заряд. НЕ вскрывать и НЕ повреждать корпуса батарей: вытекающий из них электролит опасен для кожи и глаз и может являться токсичным. НЕ утилизировать батареи путем сжигания, поскольку в этом случае они становятся взрывоопасными.
- Батареи несут в себе опасность электрического удара и получения ожогов под воздействием сильного тока короткого замыкания. Подключение или замена батарей должны осуществляться только квалифицированным сервисным персоналом с соблюдением надлежащих мер предосторожности. Используйте инструменты с изолированными ручками. Перед работой снимите с себя наручные часы, кольца и другие металлические предметы. Наденьте резиновые перчатки и диэлектрические боты. Не закорачивайте и не шунтируйте клеммы батарей какими-либо предметами. Не кладите инструменты или металлические детали на верхние поверхности батарей.
- Для замены используйте равноценные батареи (в таком же количестве и такого же типа), поставляемые компанией Tripp Lite.
- Батареи пригодны для вторичной переработки. Требования по утилизации определяются местными нормами и правилами. Не утилизируйте батареи какими-либо способами, кроме разрешенных в соответствии с действующими местными, региональными или общегосударственными нормативами.
- Не подключайте и не отключайте батареи в то время, когда ИБП работает от батарей или не находится в режиме работы по обходной цепи. Перед подключением к клеммам батарей или отключением от них следует отсоединить источник зарядного тока.
- В случае нахождения источника зарядного тока в выключенном состоянии на протяжении длительного периода времени его следует периодически включать с целью обеспечения возможности подзарядки батарей. Источник зарядного тока должен включаться с целью подзарядки батарей не менее чем на 24 часа непрерывной работы каждые 3 месяца. Невыполнение требования относительно периодической подзарядки батарей может нанести им необратимый вред.
- Обеспечьте возможность непрерывной подзарядки батарей в течение 24 часов после установки.
- **Не обслуживайте встроенное зарядное устройство (входящее в комплект только моделей с литерой "С") самостоятельно. В случае необходимости технического обслуживания обращайтесь в компанию Tripp Lite.**

#### Примечание по маркировке

Маркировка изделия может содержать следующие символы:

V~: напряжение переменного тока

V==: напряжение постоянного тока

⊕: Земля

+: Положительный полюс батареи

-: Отрицательный полюс батареи

Номера моделей, номинальные значения напряжений и другую важную информацию см. на маркировке изделия.

## 3. Установка батарейного шкафа



Перед началом установки ознакомьтесь с Разделом 2 “Важные указания по технике безопасности”



### 3.1 Подготовка

- Подготовьтесь к выгрузке батарейного шкафа из автофургона и его последующей транспортировке к месту окончательной установки на своем объекте. При этом необходимо учитывать массогабаритные параметры изделия в упаковке.
- Убедитесь в том, что основание способно выдержать нагрузку, создаваемую конкретным батарейным шкафом, который планируется установить на нем. Батареиный шкаф должен быть установлен в конструкционно прочном месте с ровным основанием, способным выдерживать вес самого батарейного шкафа и другого оборудования, которое будет установлено вблизи него.
- Изобразите монтажную схему с кабелями, соединяющими выходные клеммные колодки батарейного шкафа с любым внешним устройством отключения, распределительной колодкой и/или нагрузкой/выпрямительным устройством.
- Если вы планируете хранение батарейного шкафа в течение длительного периода времени до или после установки, следуйте указаниям, изложенным в **Разделе 8. Хранение и техническое обслуживание**

## 3. Установка батарейного шкафа

### 3.2 Транспортировка

1. Осмотрите транспортировочный(-е) контейнер(-ы) на предмет наличия видимых повреждений (не снимайте с изделия защитную обертку до момента его перемещения к месту окончательной установки). Убедитесь в том, что наименование модели и номинал соответствуют заказанному вами изделию. В случае обнаружения повреждений, полученных изделием при транспортировке, или отсутствия каких-либо комплектующих обратитесь за помощью в компанию Tripp Lite. Не используйте изделие в случае его повреждения или неправильного обращения с ним в процессе транспортировки.
2. Не пытайтесь перемещать или распаковывать батарейный шкаф в одиночку. Используйте соответствующее подъемно-транспортное оборудование, рассчитанное на массогабаритные параметры батарейного шкафа, а именно грузовые подъемники, роклы и вилочные погрузчики. (Полностью выдвигайте вилочные захваты под груз. Разводите вилочные захваты под грузом на максимально возможную ширину. Поднимать шкаф следует только снизу. Пользуйтесь защитной обувью). Убедитесь в том, что суммарный вес батарейного шкафа в упаковке, грузоподъемного оборудования и персонала не превышает предельных значений нагрузки, установленных для грузовых подъемников, подъемно-транспортного оборудования и оснований. Убедитесь в том, что изделие в упаковке пройдет через все дверные проемы вдоль предполагаемого маршрута его перемещения.
3. Батарейный шкаф защищен саморастягивающейся оберточной пленкой с целью его защиты в процессе транспортировки и перемещения внутри объекта. Не снимайте саморастягивающуюся оберточную пленку с батарейного шкафа до момента его перемещения к месту окончательной установки.

### 3.3 Проверка на наличие механических повреждений

Не снимая собранный батарейный шкаф с транспортировочного поддона, осмотрите его со всех сторон на предмет наличия механических или иных повреждений.

1. Откройте переднюю дверцу батарейного шкафа.
2. Убедитесь в том, что ни одна из батарей, поставленных на отдельном поддоне, не имеет повреждений (только для модели BP480V370).
3. Убедитесь в том, что ни одна из внутренних деталей (блоков зажимов, автоматических выключателей и других элементов) не повреждена.
4. Запишите номер модели батареи. Узнайте тип используемых в ней клемм и рекомендуемый момент затяжки в **Разделе 6.2**.
5. Затяните все клеммные соединения батарей с рекомендуемым усилием при помощи инструментов с изолированными ручками.
6. Зажмите концы кабелей, соединяющих плюсовые и минусовые выходные клеммы концевых батарей с автоматическим выключателем, при помощи инструментов с изолированными ручками.

### 3.4 Внутренняя разводка (типовая схема)

- В батарейных шкафах используется большое число аккумуляторных батарей напряжением  $12\text{ В}$ , подключаемых последовательно для получения напряжений постоянного тока до  $480\text{ В}$  ( $\pm 240\text{ В}$ ).
- Внутренние кабели имеют размеры, соответствующие нагрузочным токам, величина которых зависит от конкретной цели применения. Не используйте кабели, не совпадающие по размеру с установленными в батарейном шкафу.
- Каждая полка батарейного шкафа имеет свою индивидуальную монтажную схему.
- Все автоматические выключатели располагаются на среднем ярусе батарейного шкафа.
- Полярность всех зажимов для подключения нагрузок обозначается плюсовой (+) или минусовой (-) маркировкой (а также маркировкой нейтралы ("N") по центру для секций с батареями  $\pm 240\text{ В}$ ).
- Все батарейные шкафы оснащаются устройствами защиты от перегрузок по току с шунтирующей цепью и могут подсоединяться напрямую к нагрузке или ИБП.

### 3.5 Предварительная проверка электрических параметров (после установки батарей)

1. Установите автоматический выключатель обратно в положение On (Вкл.) и измерьте выходное напряжение батарейного шкафа в точках подключения выходной нагрузки. Для измерения напряжения следует использовать цифровой вольтметр.
2. Измеренное напряжение должно приблизительно соответствовать напряжению, указанному на заводской табличке батарейного шкафа. Выходное напряжение батарейного шкафа будет равно количеству отдельных последовательно установленных батарей, умноженному на единичное напряжение батареи. Например:  $40\text{ батарей} \times 12,84\text{ В} = 513,6\text{ В}$  на выходе.
3. Если измеренное напряжение существенно отличается от предполагаемого значения, то следует определить причину такого отличия (например, низкий уровень заряда, закороченная ячейка, обратная полярность батареи, повреждение электропроводки) и устранить несоответствие напряжения перед продолжением работы.
4. Установите автоматический выключатель в положение Off (Выкл.) в качестве меры предосторожности на время установки.

### 3.6 Размещение батарейного шкафа

Установите батарейный шкаф в прохладном месте со свободной циркуляцией воздуха, находящемся вдали от прямых источников тепла. Воздействие повышенных температур может значительно сократить срок службы батареи, уменьшая его на 50% при увеличении на каждые  $8,25^\circ$  выше  $25^\circ\text{C}$ , а также снизить ее эксплуатационные свойства.

1. Подготовьте поверхность, на которой будет размещен шкаф. Поверхность должна быть чистой, плоской и способной выдерживать батарейный шкаф и другое оборудование, установленное рядом с ним. Требования к нагрузочной способности основания см. в **Разделе 7.4**.
2. Перед батарейным шкафом и позади него необходимо обеспечить достаточно свободного пространства для его надлежащего проветривания и технического обслуживания. Передняя дверца должна быть легкодоступной для обеспечения беспрепятственного доступа к внутренним батареям, внутренним предохранителям и другим устройствам защиты от перегрузок по току. Размеры и другие количественные параметры батарейных шкафов см. в **Разделе 6.1**.
3. В случае крепления шкафа к основанию установите анкерные болты соответствующего типоразмера в монтажные отверстия, расположенные в днище шкафа. Для создания ровной поверхности между монтажными площадками вокруг анкерных болтов используйте шайбы.
4. С предельной осторожностью выверните болты, крепящие батарейный шкаф к транспортировочному поддону.

## 3. Установка батарейного шкафа

- Во избежание опрокидывания шкафа вилочные захваты погрузчика должны быть разведены на максимальную ширину в пределах просвета под шкафом и полностью выдвинуты вперед. Поднимайте шкаф только с днища. Соблюдайте осторожность во избежание повреждения нижней панели шкафа из листового металла захватами погрузчика.
- В случае крепления батарейного шкафа к основанию аккуратно совместите и опустите его на анкерные болты, а затем зафиксируйте на своем месте.
- Если крепление шкафа к основанию не предусматривается, опустите его на нужное место, а затем выровняйте с помощью регулировочных прокладок. Выравнивание не влияет на эффективность работы, но позволяет расположить батарейный шкаф в одну линию с другим оборудованием, установленным на объекте.

### 3.7 Подключение к электрической нагрузке



#### **ВНИМАНИЕ! ВЫСОКОЕ НАПРЯЖЕНИЕ ОПАСНО ДЛЯ ЖИЗНИ!**

**Все электромонтажные работы должны выполняться квалифицированным электромехаником с учетом предупреждений, изложенных в настоящем руководстве, а также всех действующих электротехнических норм и правил техники безопасности. Неправильный монтаж может причинить существенный вред здоровью людей и материальный ущерб.**

- Батарейный шкаф подключается к нагрузке через автоматический выключатель постоянного тока. Это обеспечивает возможность отключения батареи от нагрузки и зарядного устройства в целях проведения технического обслуживания и/или ремонта.
- Автоматические выключатели постоянного тока в литом корпусе имеют европейский сертификат соответствия (CE) как устройства защиты с шунтирующей цепью. При необходимости замены должны использоваться компоненты с европейским сертификатом соответствия (CE), имеющие такие же номинальные параметры напряжения и тока.
- При определении размера кабелей для соединения с нагрузкой следует учитывать предельно допустимое падение напряжения, а также постоянную амперную нагрузку на кабели и предполагаемый ток разряда отдельного батарейного шкафа. Рекомендуемое значение максимального падения напряжения в кабелях соединения с нагрузкой составляет 1,5 В=. Рекомендуемые размеры проводов см. в Руководстве пользователя ИБП.
- Соответствующие размеры и номиналы кабелей см. в действующих местных, региональных и общегосударственных нормах и правилах.
- Устройства защиты внешних цепей (предохранители или автоматические выключатели) должны подбираться с учетом скорости разрядки батареи, параметров защищаемой проводки и постоянного тока короткого замыкания батареи.

После выполнения установочных процедур, предусмотренных в **Разделе 7**:

- Откройте переднюю дверцу батарейного шкафа для обеспечения доступа к его внутренним компонентам. При необходимости измерения напряжения используйте цифровой вольтметр.
- Проверьте батарею на предмет случайного замыкания на землю путем установки автоматического выключателя обратно в положение On (Вкл.) и измерения напряжения между наконечником заземляющего проводника батарейного шкафа и точкой подключения положительного полюса нагрузки внутри шкафа. Это напряжение должно составлять 0 (нуль) В=. Если измеренное напряжение отлично от нуля, определите причину и устраните ее перед продолжением работы.
- На время подключения выходных кабелей установите внутренний автоматический выключатель обратно в разомкнутое положение Off (Выкл.) в качестве меры предосторожности. Это позволит предотвратить ущерб в результате случайного закорачивания кабелей.
- Верхняя панель батарейного шкафа имеет выбивные отверстия для ввода кабелей соединения с нагрузкой. Пройдите соответствующее отверстие и вставьте в него кабелепровод или кабельную втулку.
- Выходной автоматический выключатель рассчитан на кабели сечением до 300 мм<sup>2</sup>.
- Подсоедините соответствующий кабель заземления оборудования к наконечнику заземляющего проводника, расположенному в верхней части батарейного шкафа.
- Протяните плюсовой и минусовой кабели (а также центральный ("N") кабель при наличии такового) от разомкнутого разъединителя или внешних зажимов ИБП через кабелепровод / кабельную втулку. Подсоедините их к соответствующим выходным зажимам внутри батарейного шкафа.

### 3.8 Окончательная проверка электрических параметров

Перед замыканием любого автоматического выключателя или разъединителя в соединительной линии выполняйте следующие проверочные действия:

- Проверьте правильность выходного напряжения батарейного шкафа.
- В тех случаях, когда предполагается работа с параллельным подключением батарейных шкафов, проверьте, чтобы выходные напряжения отдельных систем совпадали с точностью до 2 В=.
- Проверьте, чтобы напряжение, измеренное между любой из выходных клемм и заземляющим элементом батарейного шкафа, было равно нулю.
- В случае обнаружения какой-либо неисправности в результате любого из перечисленных выше проверочных действий определите и устраните ее причину перед продолжением работы.
- Переведите автоматический выключатель на передней панели обратно в положение On (Вкл.).

## 4. Эксплуатация и зарядка

### 4.1 Определение зарядных напряжений

Для определения напряжения выравнивающей зарядки (подзарядки) и напряжения зарядки на холостом ходу умножьте количество батарей, последовательно включенных в батарейном шкафу, на рекомендуемое зарядное напряжение каждого батарейного модуля.

#### Например:

Для шкафа, рассчитанного на +/- 240 В постоянного тока и содержащего 40 последовательно подключенных батарей типа CSB GPL12100\*, использовались бы следующие зарядные напряжения:

Напряжение поддерживающей зарядки =  $20 \times (13,5—13,8 \text{ В} = / \text{ среднее значение по всему модулю}) = +/- 270—276 \text{ В} =$

### 4.2 Первоначальная зарядка

После вычисления надлежащих значений зарядного напряжения произведите следующие действия:

1. Скорректируйте выходные напряжения зарядного/выпрямительного устройства, обеспечивающие выравнивающую зарядку и зарядку на холостом ходу, до оптимального уровня.
2. Установите зарядное/выпрямительное устройство в режим выравнивания. ИБП Tripp Lite семейства SmartOnline автоматически корректируют уровень зарядного напряжения в зависимости от имеющегося напряжения батарей.
3. Замкните разъединитель/автоматический выключатель, установленный в соединительной линии между зарядным/выпрямительным устройством и батарейным(-и) шкафом(-ами), и запустите 24-часовую подзарядку в режиме выравнивания.
4. Через несколько минут после начала зарядки проконтролируйте напряжение на нескольких отдельных батареях с целью убедиться в том, что они заряжаются с надлежащей скоростью.
5. После окончания подзарядки установите зарядное/выпрямительное устройство в режим зарядки на холостом ходу. ИБП Tripp Lite семейства SmartOnline автоматически корректируют уровень зарядного напряжения в зависимости от напряжения батарей.
6. После нахождения батарейного шкафа в режиме зарядки на холостом ходу дополнительно в течение 1-24 часов выполните эксплуатационную проверку (см. далее в **Разделе 4-3**).

### 4.3 Эксплуатационная проверка

1. Измерьте напряжение холостого хода всей системы и зафиксируйте его. Измерение следует производить на клеммах батарей.
2. Измерьте ток холостого хода системы с помощью токоизмерительных клещей и зафиксируйте его.
3. Измерьте напряжение холостого хода отдельных батарейных модулей и зафиксируйте его.
4. Измерьте температуру нескольких батарей и зафиксируйте ее. Измерение температуры батарей следует производить с помощью цифрового термометра, помещая поверхностную термопару на плоскую поверхность минусовой клеммы (а не на поверхность Г-образного соединения). Для этой цели также может быть использован инфракрасный датчик температуры.
5. **Необязательное действие:** проверьте полное сопротивление и электрическую проводимость отдельных батарейных модулей. Для проведения этих измерений требуется специальное оборудование, однако полученные результаты могут оказаться полезными при анализе тенденций в системе с течением времени или выявлении проблемных модулей в ходе последующих периодических проверок. При проведении этих проверок может возникнуть необходимость отсоединения системы батарей от зарядного устройства/нагрузки.

## 5. Уход за изделием

В батарейном шкафу находятся клапанно-регулируемые свинцово-кислотные аккумуляторные батареи с рекомбинацией газа, которые являются необслуживаемыми в отношении электролита. Для этих батарей не предусмотрены операции по доливу воды или измерению плотности электролита. Однако они требуют периодической проверки зарядного напряжения, температуры и надежности соединений отдельных батарейных модулей.

### 5.1 График технического обслуживания

#### 5.1.1 Ежеквартальная проверка

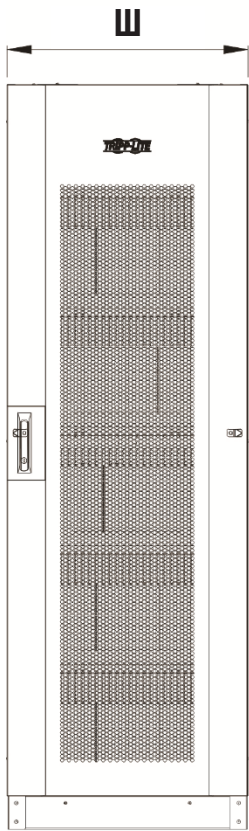
Рекомендуется ежеквартальное проведение технического обслуживания квалифицированным сервисным персоналом.

## 6. Механические характеристики

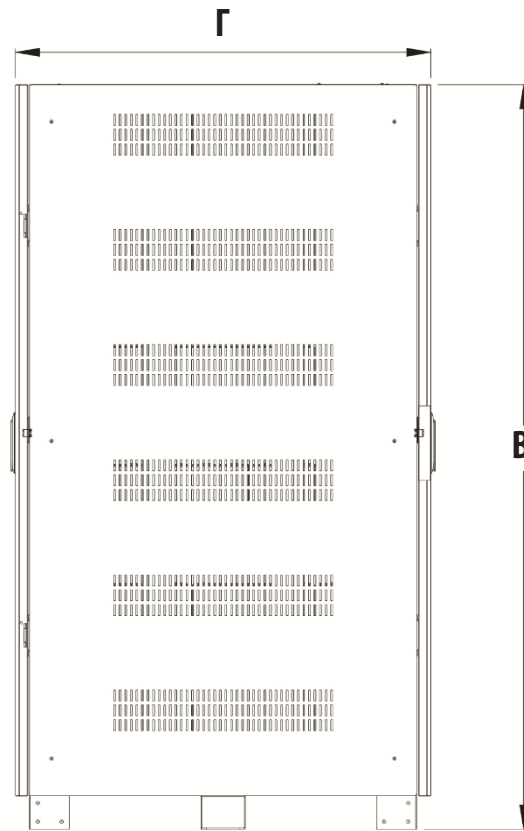
### 6.1 Физические измерения

Габаритные размеры (В x Ш x Г): 2005 x 647 x 1100 мм

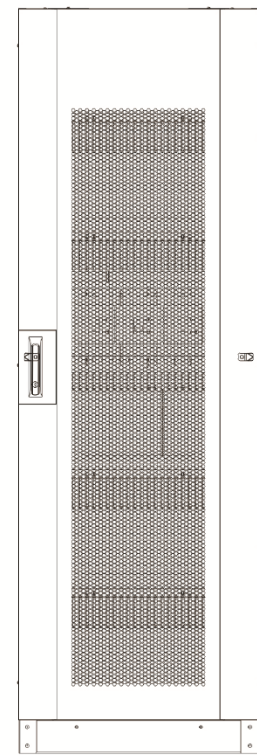
Масса пустого шкафа: 221 кг



ВИД СПЕРЕДИ

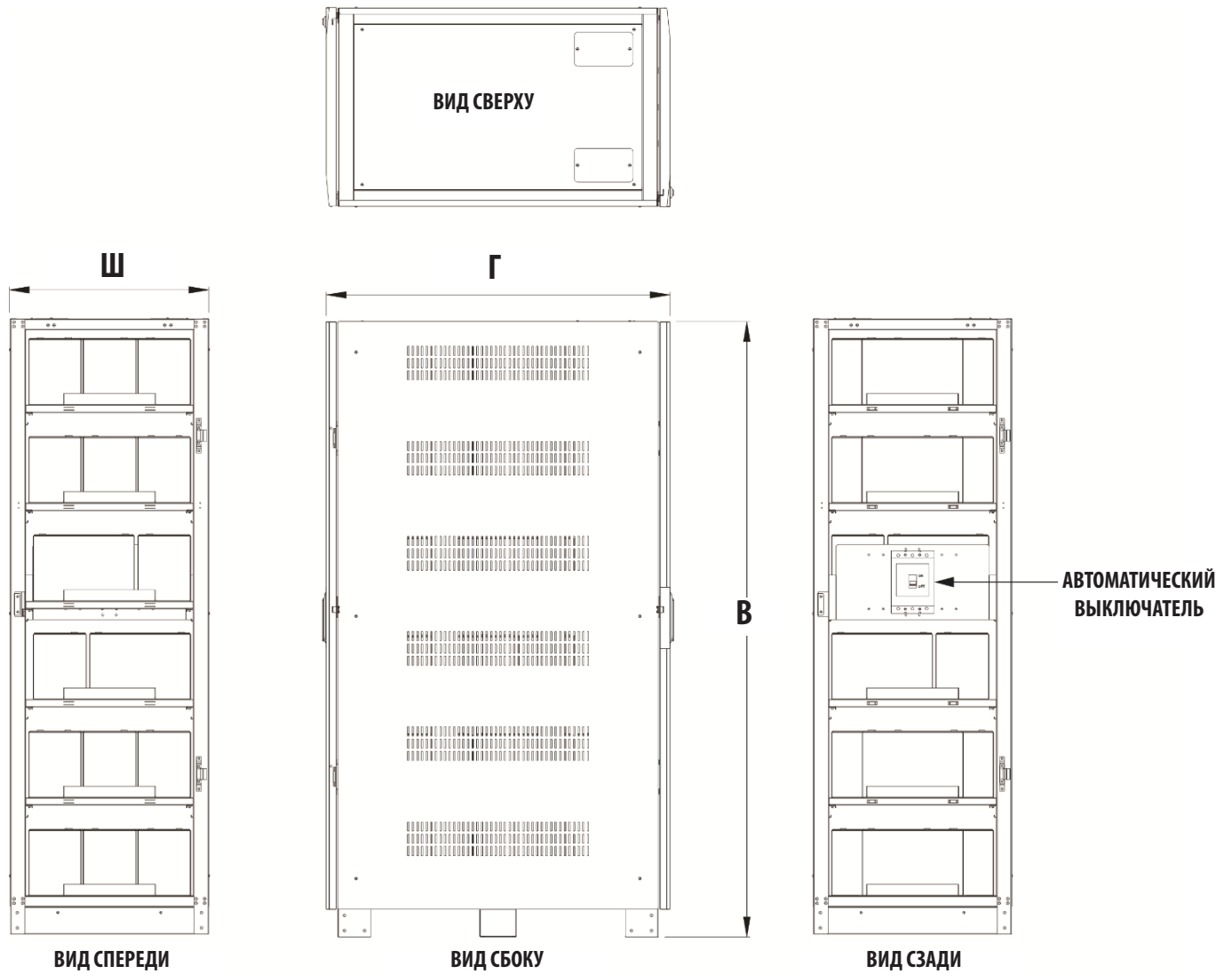


ВИД СБОКУ





## 6. Механические характеристики



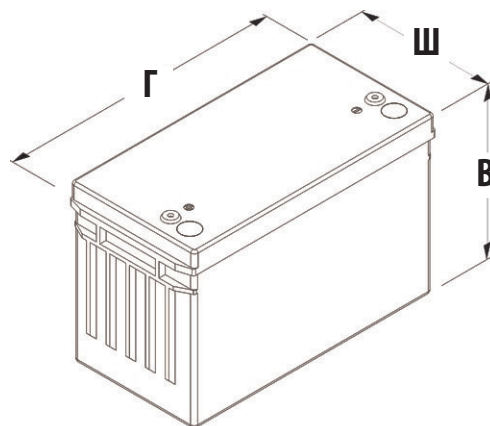
### 6.2 Требования к батареям

Тип и количество свинцово-кислотных батарей: 12 В / 100 А·ч x 40 шт.

Максимальные размеры свинцово-кислотной батареи (В x Ш x Г): 224 x 173 x 343 мм

Тип зажима: болт М6

Момент затяжки зажима (для модели CSB GPL 121000): 138,6 кгс·см/13,58 Н·м



## 7. Установка



Установка батарей должна производиться только квалифицированным сервисным персоналом.

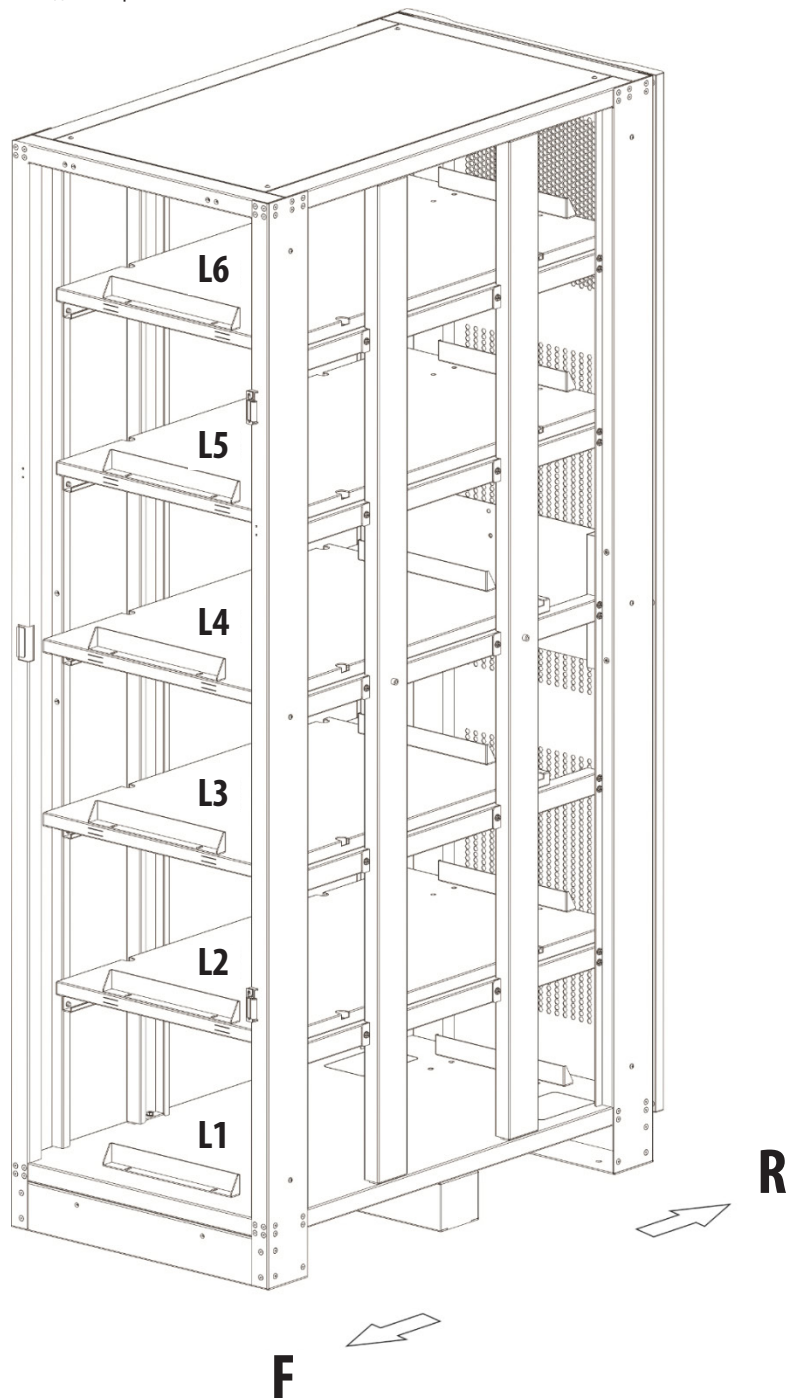
### 7.1 Подготовка к установке батарей

**Батарейный шкаф:**

На лицевой стороне шкафа нанесена маркировка "F"; на тыльной стороне шкафа нанесена маркировка "R".

**Расположение полок для установки батарей:**

Всего в шкафу имеются 6 полок: от L1 (нижняя) до L6 (верхняя).

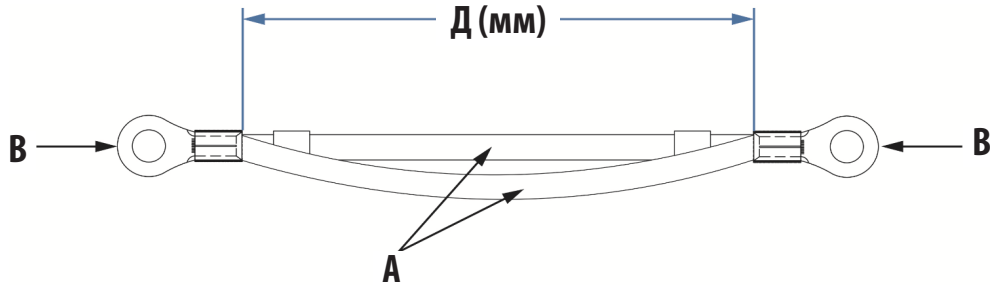


## 7. Установка

### 7.2 Кабельные перемычки и внутренняя разводка

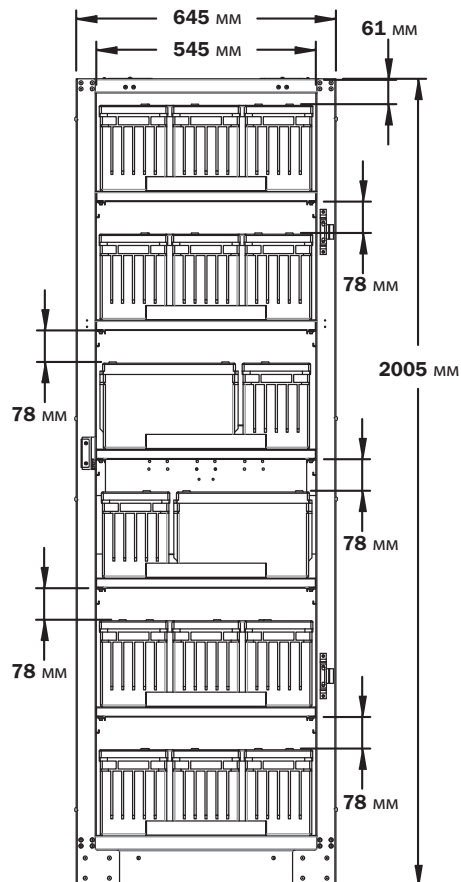
#### 7.2.1 Характеристики кабельных перемычек, входящих в комплект

Двухпроводные 1/0 AWG



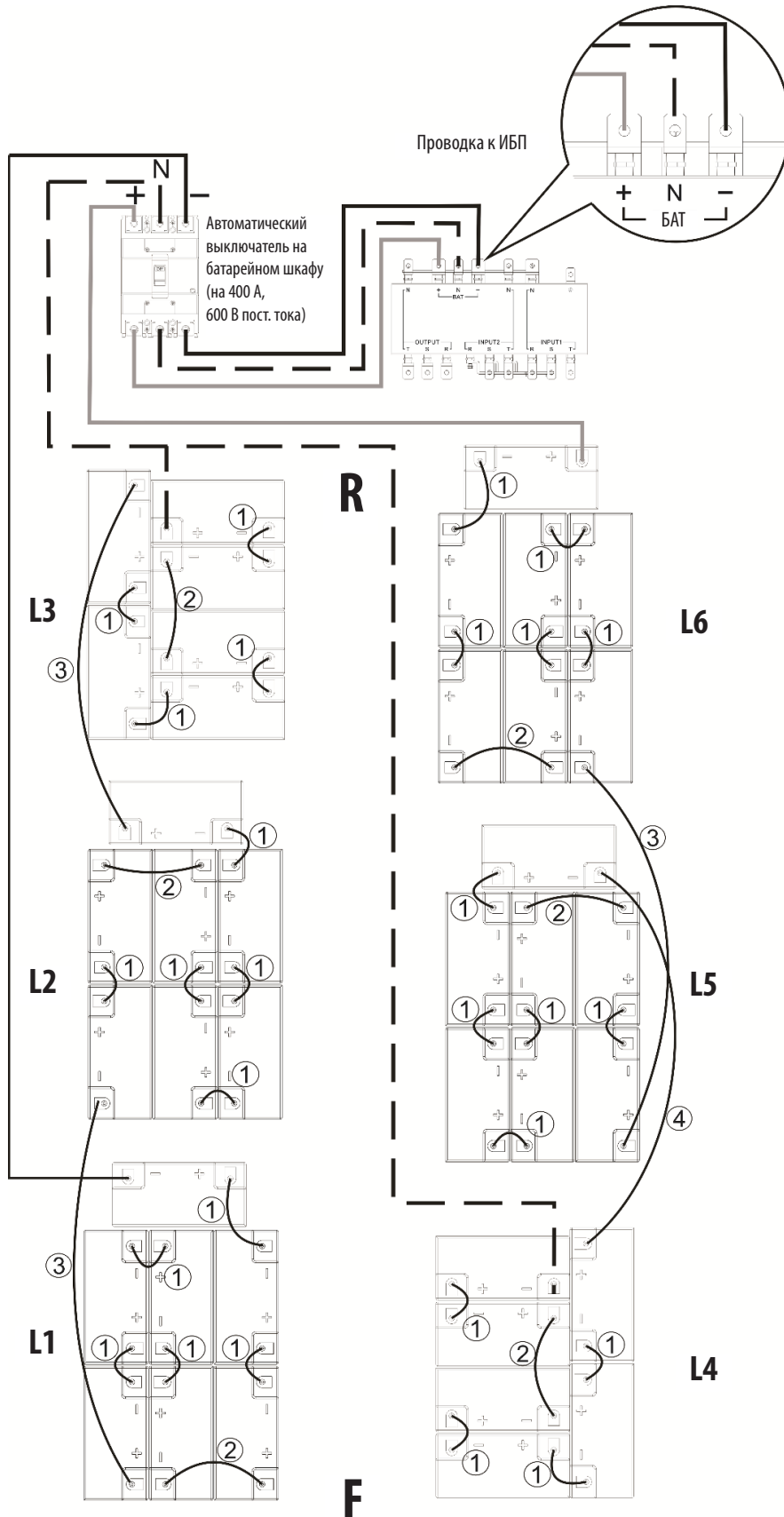
НАИМЕНОВАНИЕ	ПОЗИЦИИ	ЕД. ИЗМ.	ДЛИНА КАБЕЛЯ (мм)	КОЛИЧЕСТВО	НОМЕР КАБЕЛЯ
A	UL 1015#11/0AWG ЧЕРНЫЙ	мм	250	28	①
A	UL 1015#11/0AWG ЧЕРНЫЙ	мм	300	6	②
A	UL 1015#11/0AWG ЧЕРНЫЙ	мм	550	3	③
A	UL 1015#11/0AWG ЧЕРНЫЙ	мм	850	1	④
A	UL 1015#11/0AWG ЧЕРНЫЙ	мм	550	1	N
A	UL 1015#11/0AWG ЧЕРНЫЙ	мм	800	1	N
A	UL 1015#11/0AWG ЧЕРНЫЙ	мм	1250	1	BAT+
A	UL 1015#11/0AWG ЧЕРНЫЙ	мм	1200	1	BAT-
B	L/W PVC UL1015 TS #1/0 ЧЕР	шт.	—	84	—

#### Расстояние между полками



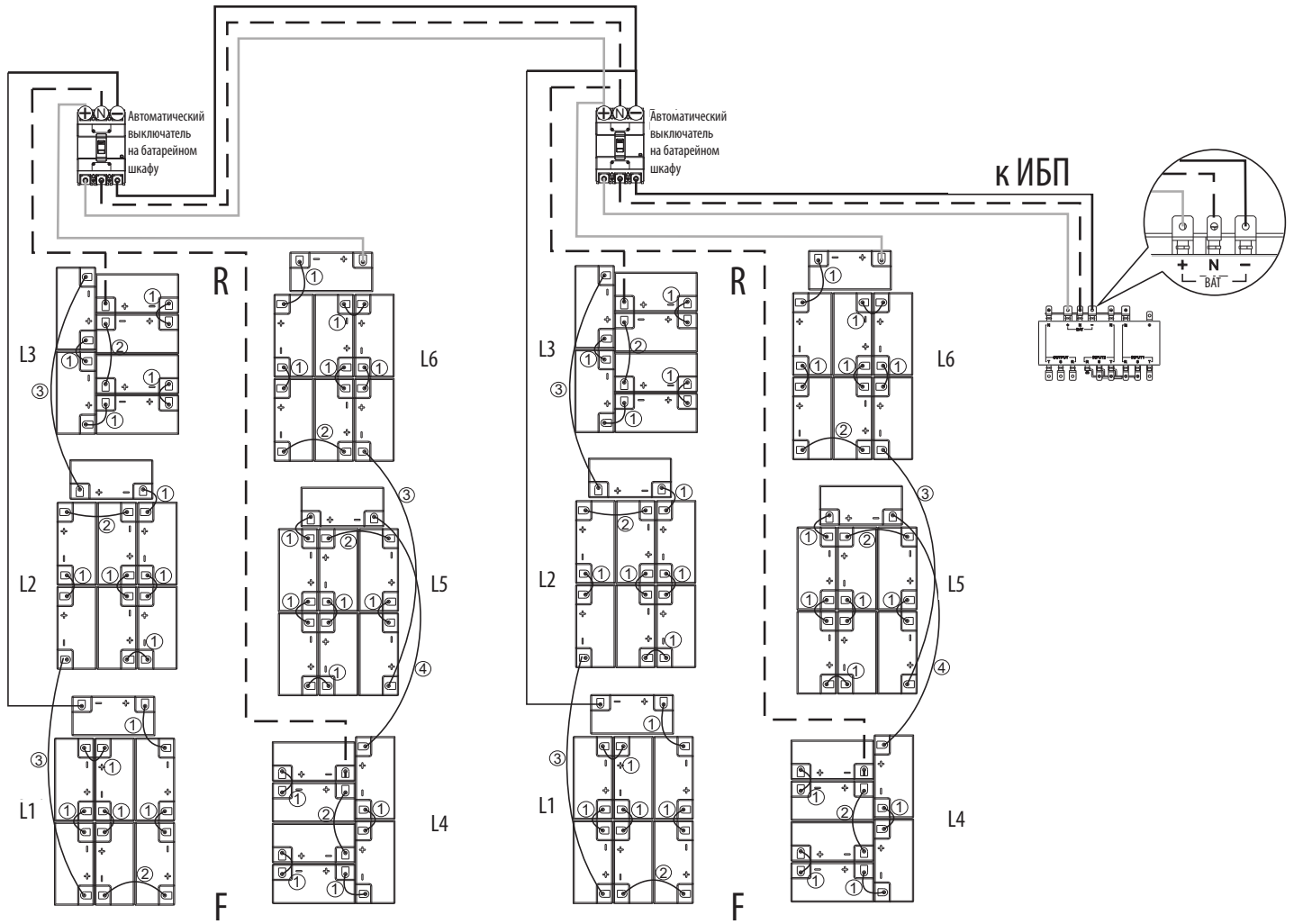
# 7. Установка

## 7.2.2 Внутренняя разводка батарейного шкафа



# 7. Установка

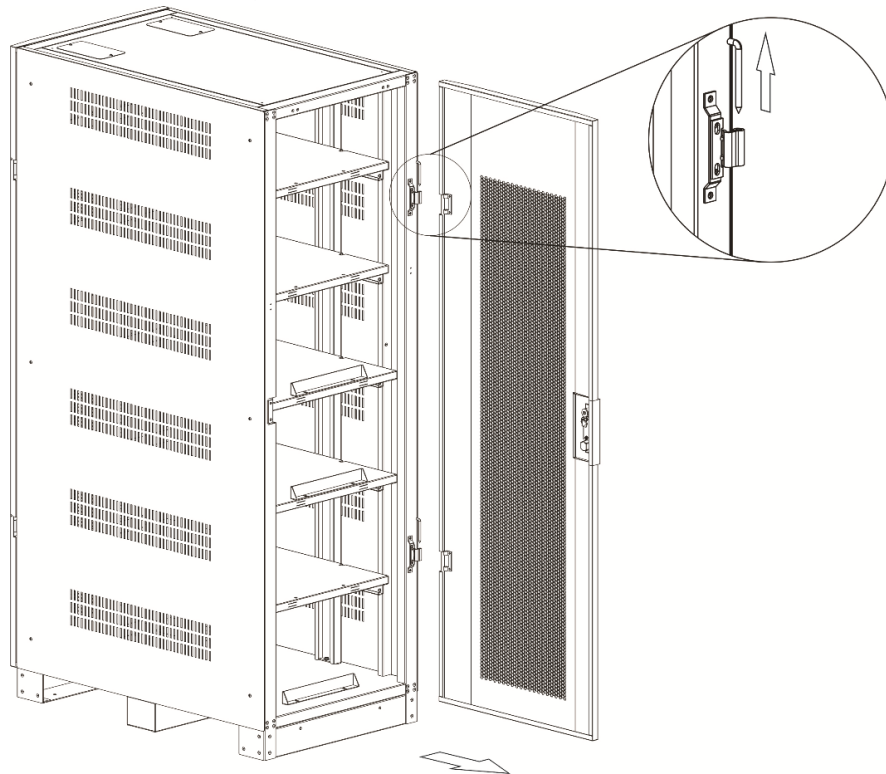
## 7.2.3 Установка батарейных шкафов с параллельным подключением



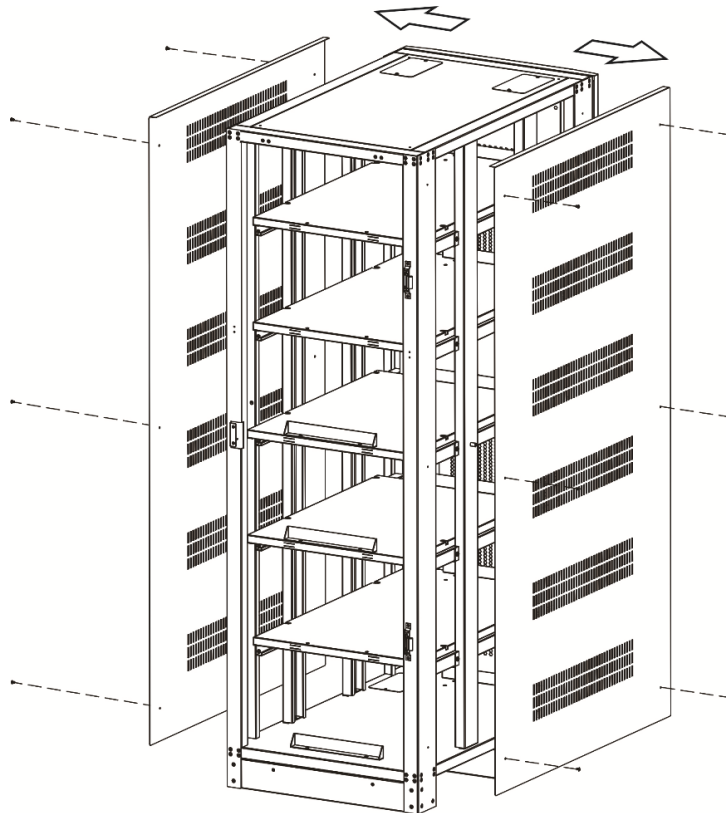
## 7. Установка

### 7.3 Установка батарей

1. Выньте задвижку из петель передней дверцы. Снимите дверцу.

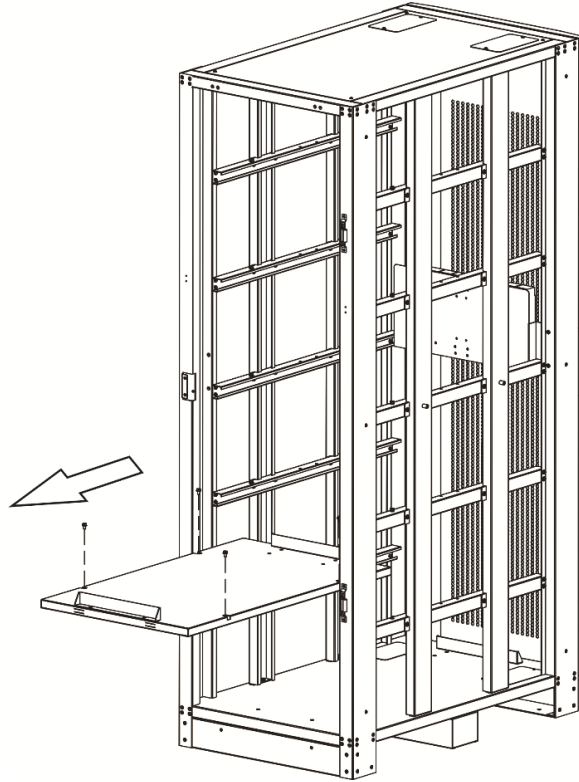


2. Выверните винты М4 (12 шт.) с помощью крестообразной отвертки и снимите боковые панели.

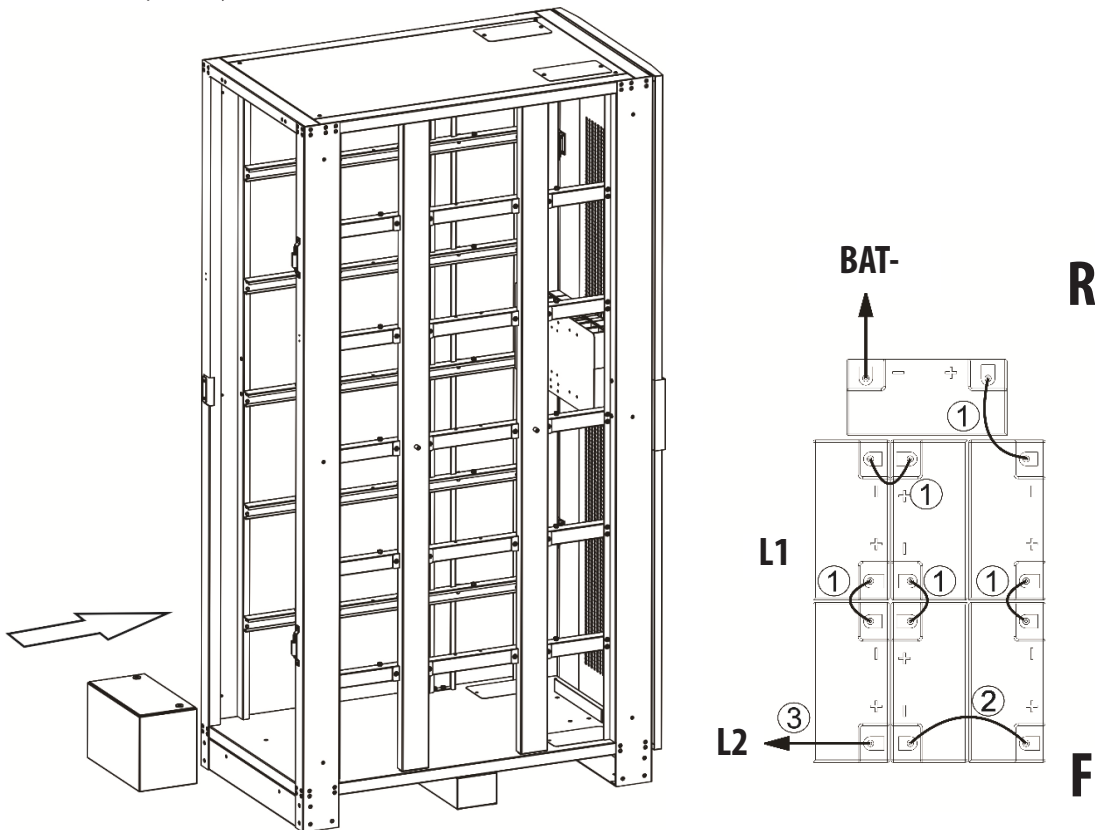


## 7. Установка

3. Выверните винты М6 (4 шт.) из каждого батарейного отсека. Выньте все батарейные отсеки из шкафа.

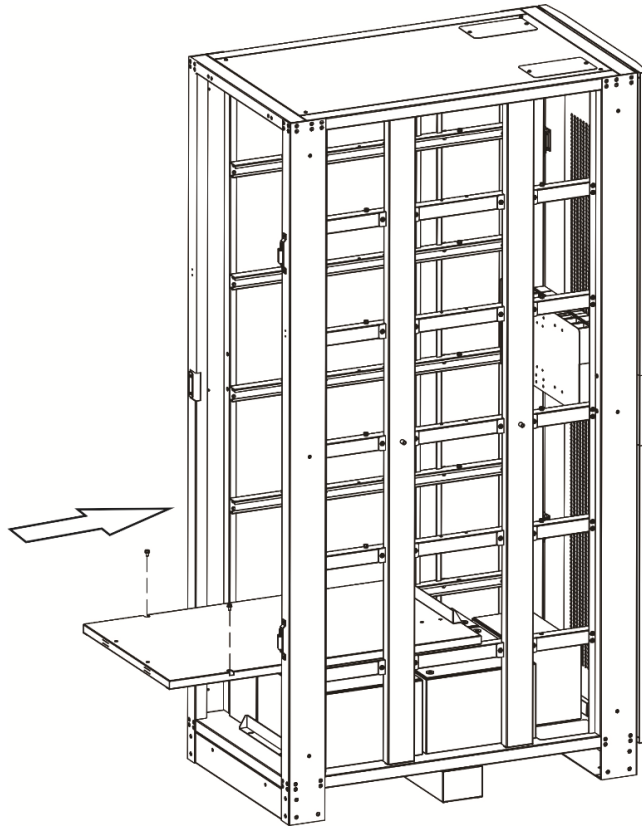


4. Установка батарей в батарейный шкаф начинается с нижней полки (L1) и заканчивается на верхней полке (L6). Схема внутренней разводки для полки "L1" представлена ниже на правом рисунке. Необходимые перемычки указаны в таблице и на схемах в **Разделах 7.1.1** и **7.2.2**.

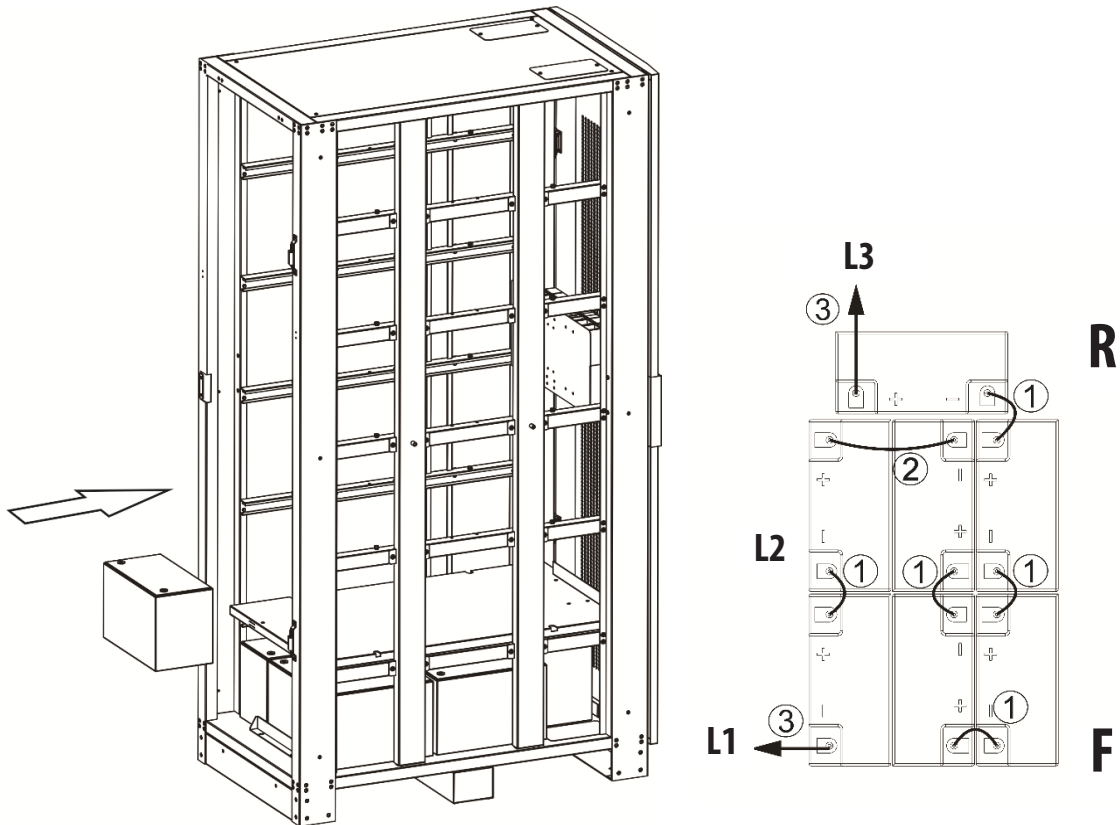


## 7. Установка

5. С помощью сохраненных винтов М6 прикрепите батарейный отсек для полки L2.



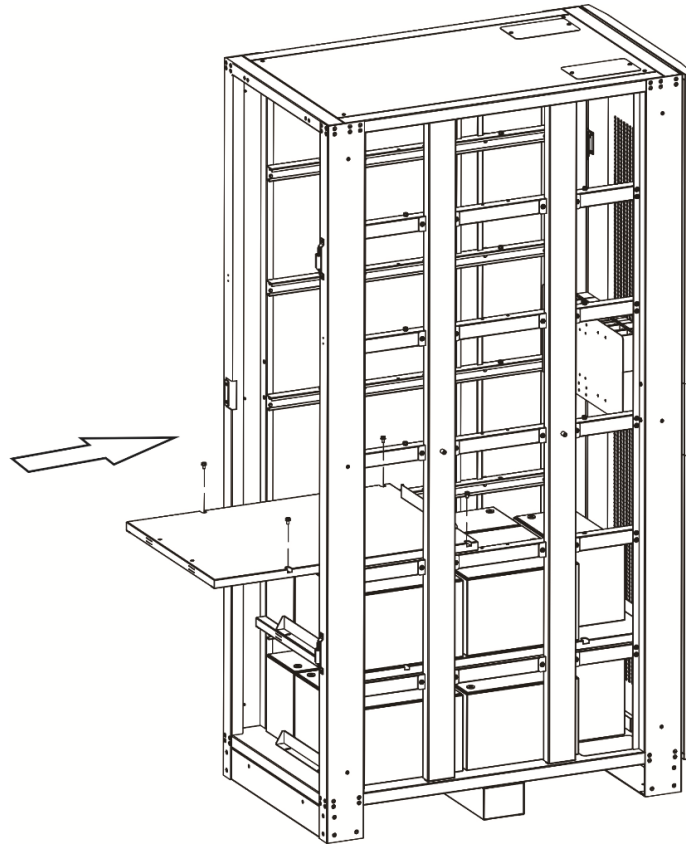
6. Внутренняя разводка для полки "L2" представлена ниже на схеме справа. Необходимые перемычки указаны в таблице и на схемах в **Разделах 7.1.1 и 7.2.2.**



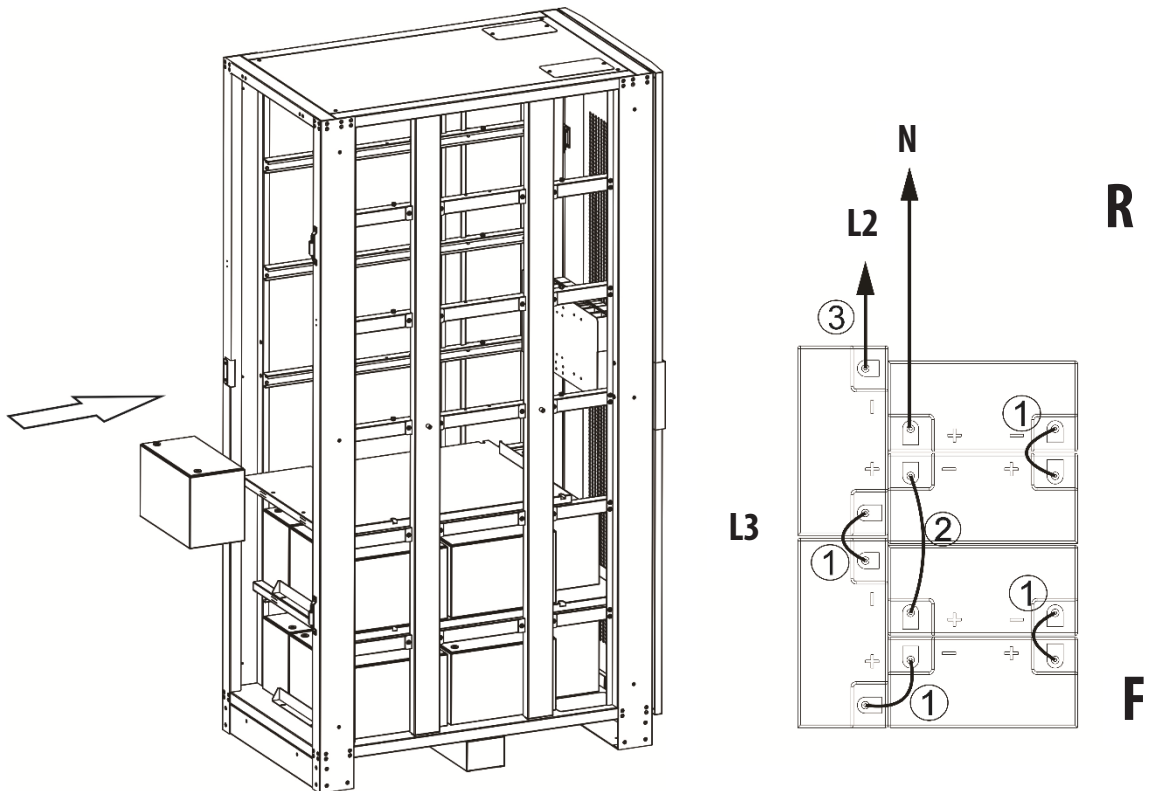


## 7. Установка

7. С помощью сохраненных винтов М6 прикрепите следующий батарейный отсек для полки L3.

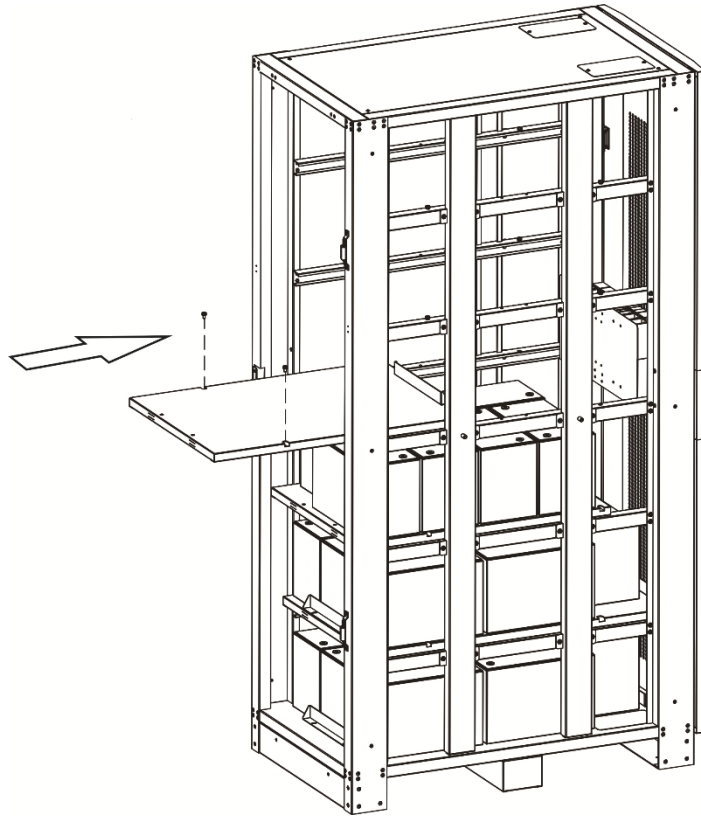


8. Внутренняя разводка для полки "L3" представлена ниже на схеме справа. Необходимые перемычки указаны в таблице и на схемах в **Разделах 7.1.1 и 7.2.2.**

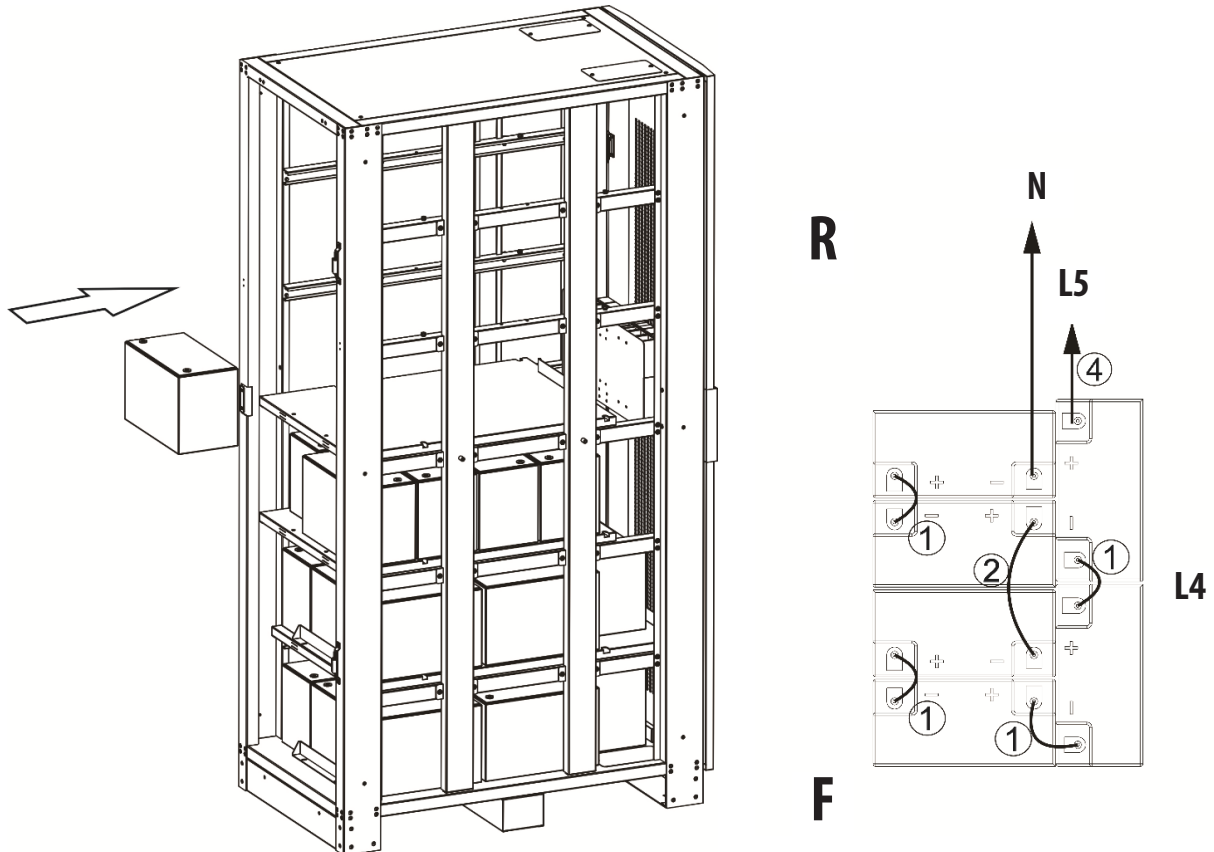


## 7. Установка

9. С помощью сохраненных винтов М6 прикрепите следующий батарейный отсек для полки L4.

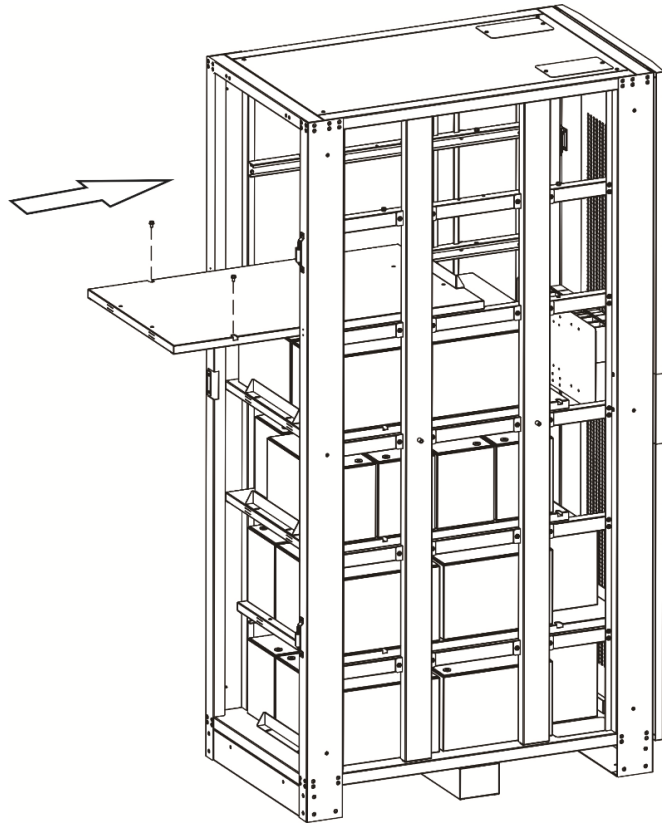


10. Внутренняя разводка для полки "L4" представлена ниже на схеме справа. Необходимые перемычки указаны в таблице и на схемах в **Разделах 7.1.1 и 7.2.2.**

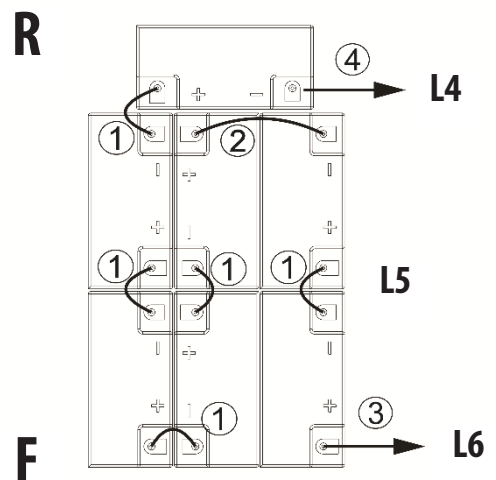
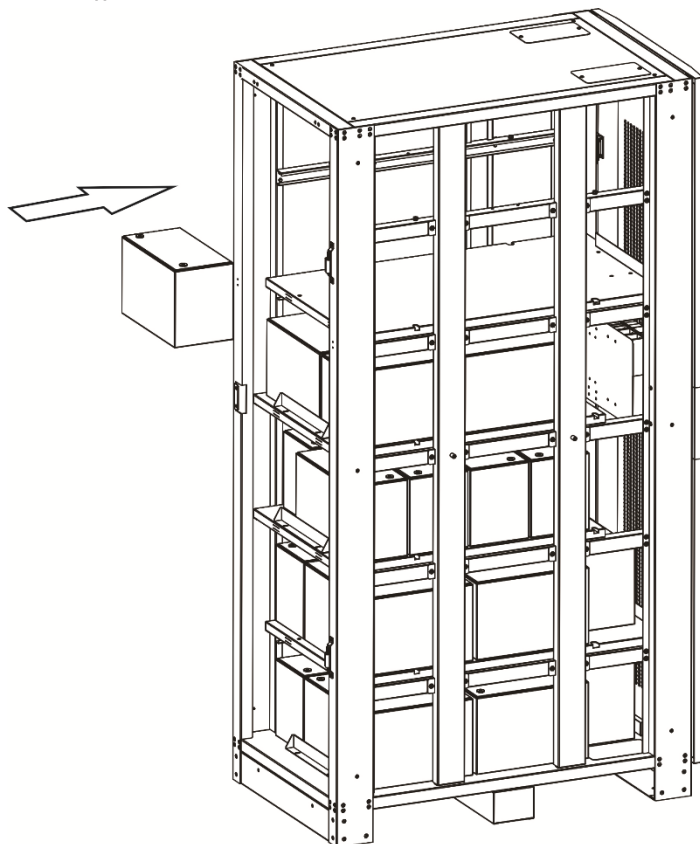


## 7. Установка

11. С помощью сохраненных винтов М6 прикрепите следующий батарейный отсек для полки L5.

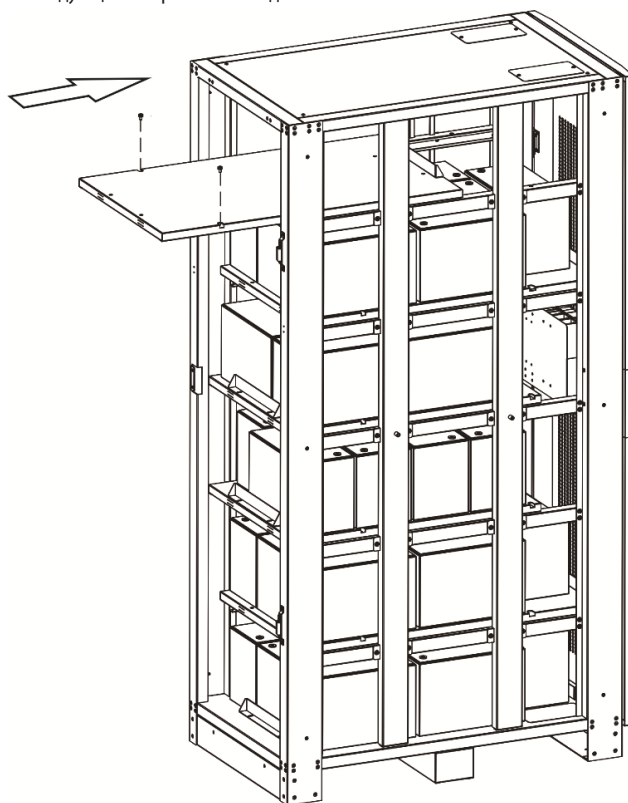


12. Внутренняя разводка для полки "L5" представлена ниже на схеме справа. Необходимые перемычки указаны в таблице и на схемах в **Разделах 7.1.1 и 7.2.2.**

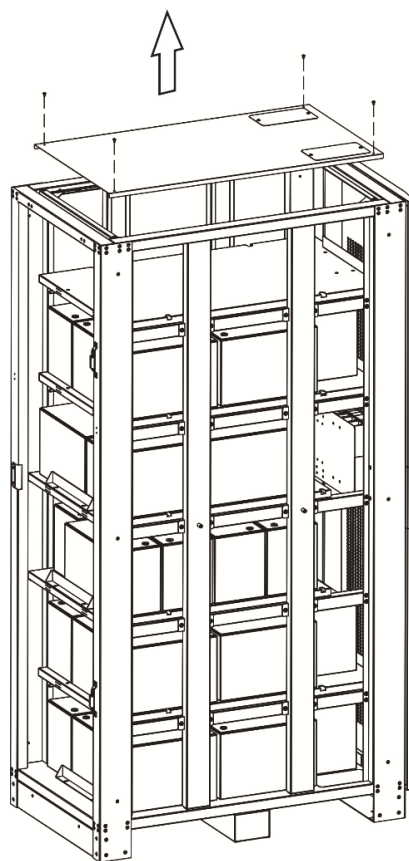


## 7. Установка

13. С помощью сохраненных винтов М6 прикрепите следующий батарейный отсек для полки L6.

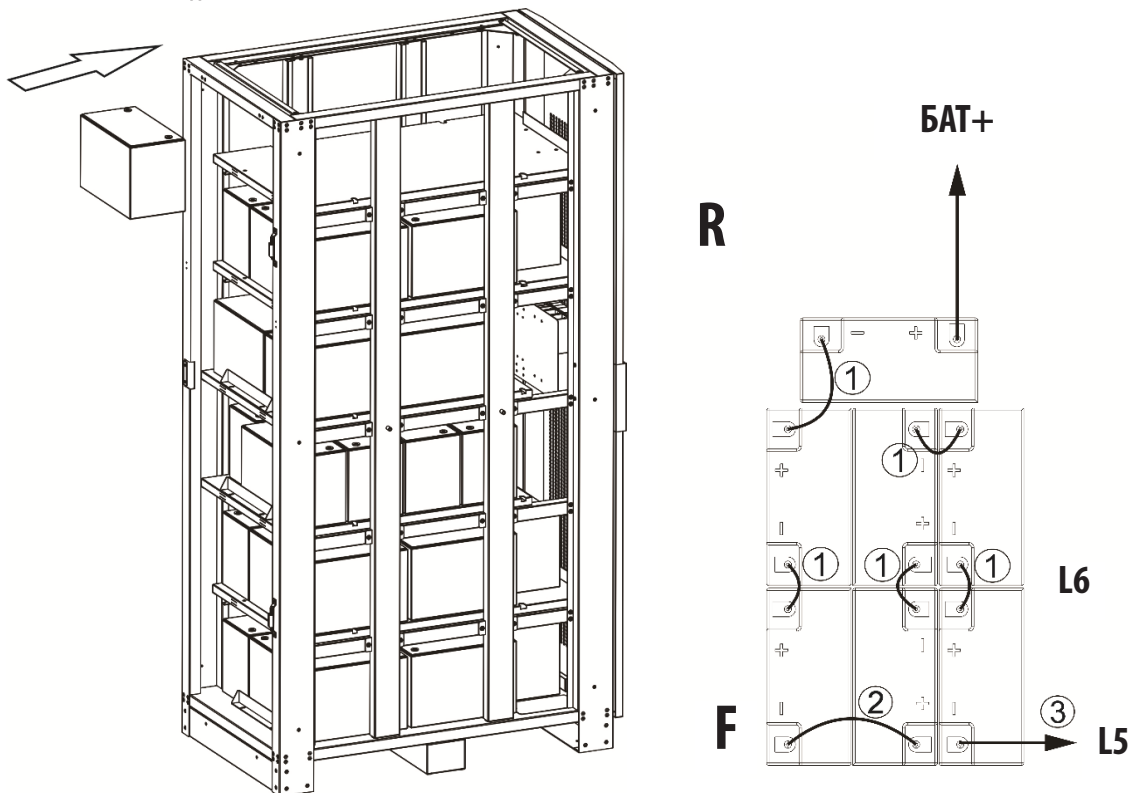


14. Выверните винты М4 (4 шт.) из верхней панели шкафа и снимите ее.

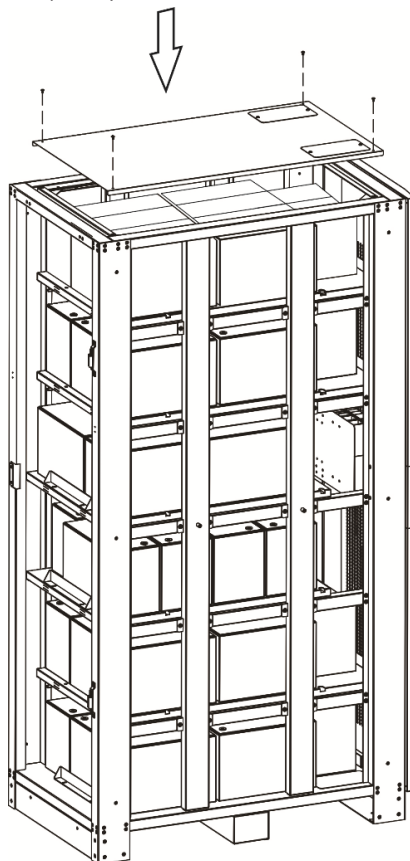


## 7. Установка

15. Внутренняя разводка для полки "L6" представлена ниже на схеме справа. Необходимые перемычки указаны в таблице и на схемах в **Разделах 7.1.1 и 7.2.2.**

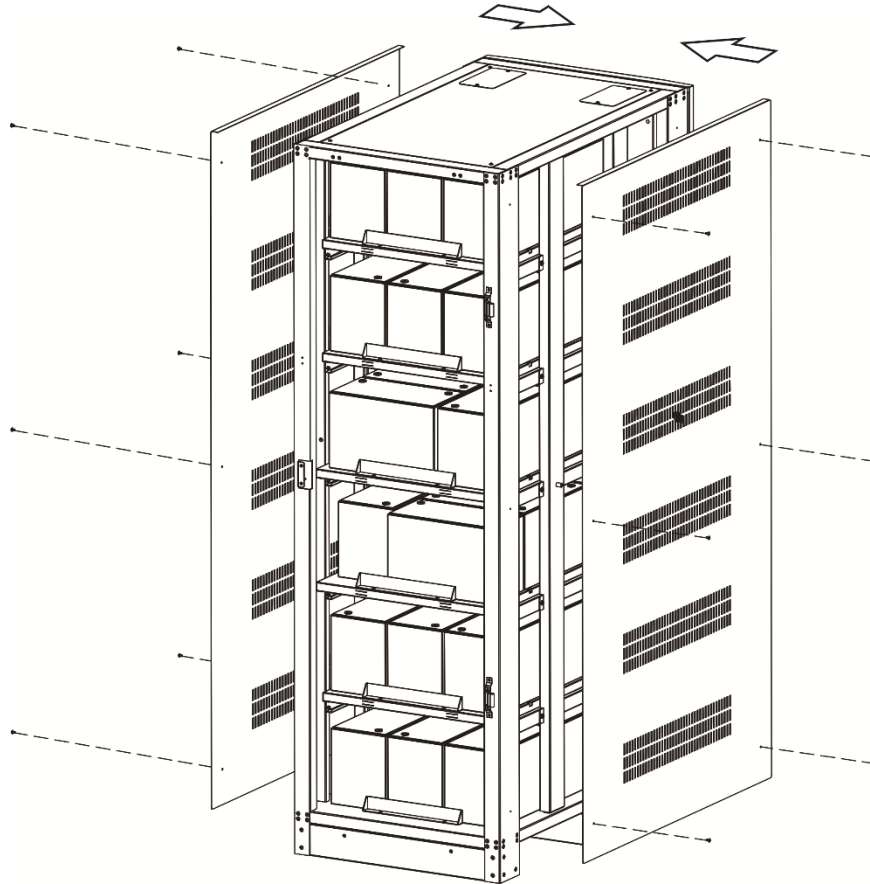


16. Установите верхнюю панель обратно на каркас батарейного шкафа и закрепите ее с помощью винтов M4.

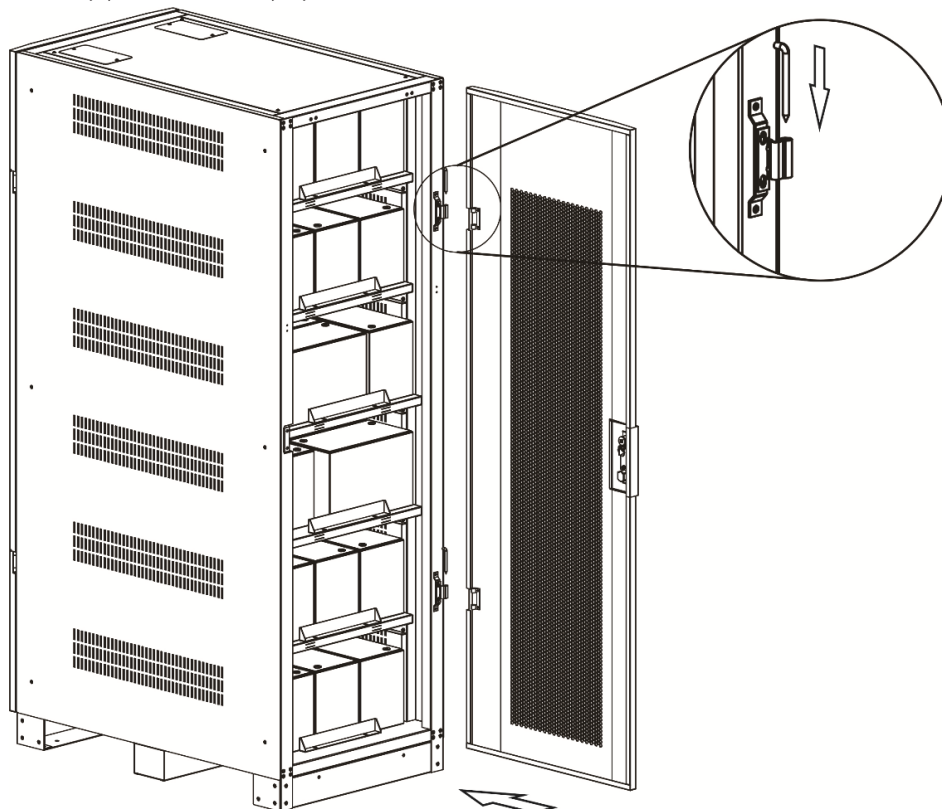


## 7. Установка

17. Установите боковые панели обратно и прикрепите их к каркасу батарейного шкафа с помощью сохраненных винтов M4.



18. Установите на место переднюю дверцу и вставьте задвижку обратно в петли.



## 7. Установка

### 7.4. Требования к установке

#### 7.4.1 Информация по установке и допустимой нагрузке на пол

Модель батарейного шкафа	Полки	Габаритные размеры (высота x ширина x глубина)	Ролики	Масса	Нагрузка на пол
BP480V370	6	2005 x 650 x 1100 мм	N	1606 кг	1187 кг/м <sup>2</sup>
BP480V370NB	6	2005 x 650 x 1100 мм	N	266 кг	1187 кг/м <sup>2</sup>

#### 7.4.2 Рекомендуемые моменты затяжки

Модель батарейного шкафа	Модель отдельного батарейного модуля	Тип клемм	Момент затяжки
BP480V370	CSB GPL 121000	Резьбовая втулка М6	138,6 кгс-см/120,3 фнс-дюйм/13,58 Н-м
BP480V370NB	Н/П	Н/П	Н/П

## 8. Хранение и техническое обслуживание

### Хранение

Батарейный шкаф должен храниться в чистом и защищенном месте при температуре менее 40°C и относительной влажности менее 90% (без образования конденсата). По возможности храните батарейный шкаф в его заводской транспортной упаковке. Перед началом использования батарей следует произвести их зарядку в течение как минимум 24 часов. Не рассчитывайте на то, что подключенное оборудование будет обеспечено питанием от батарейного шкафа до момента полной зарядки батарей.

Примечание. В случае нахождения ИБП в выключенном состоянии на протяжении длительного периода времени его следует периодически включать с целью обеспечения возможности подзарядки батарей. ИБП должен включаться с целью подзарядки батарей не менее чем на 24 часа непрерывной работы каждые 3 месяца. Невыполнение требования относительно периодической подзарядки батарей может нанести им необратимый вред.

### Техническое обслуживание

На приобретенное вами изделие марки Tripp Lite распространяется действие гарантии, условия которой изложены в настоящем руководстве. Кроме того, компания Tripp Lite предлагает ряд Программ расширенной гарантии и обслуживания на объекте. Более подробная информация о техническом обслуживании изложена на странице [www.tripplite.com/support](http://www.tripplite.com/support). Перед возвратом своего изделия в целях технического обслуживания просьба выполнить следующие действия:

1. Внимательно изучите порядок монтажа и эксплуатации устройства, приведенный в настоящем руководстве, во избежание проблем, которые могут возникнуть в ходе работы из-за неправильного понимания приведенных в руководстве указаний.
2. Если проблему решить не удалось, не обращайтесь к продавцу и не возвращайте изделие ему. В этом случае посетите интернет-страницу по адресу: [www.tripplite.com/support](http://www.tripplite.com/support).
3. Если возникшая проблема требует проведения ремонта или технического обслуживания, зайдите на страницу [www.tripplite.com/support](http://www.tripplite.com/support) и нажмите на ссылку Product Returns (Возврат изделий). Здесь вы можете запросить номер Returned Material Authorization (RMA) (разрешение на возврат материалов), который необходим для проведения технического обслуживания. Для заполнения этой простой онлайн-формы потребуется указать номер модели и серийный номер вашего изделия, а также общие сведения о покупателе. Номер RMA вместе с указаниями по транспортировке будет направлен вам по электронной почте.

На какие бы то ни было убытки (прямые, косвенные, последующие или вызванные особыми обстоятельствами), связанные с транспортировкой изделия в адрес компании Tripp Lite или ее уполномоченного сервисного центра, действие гарантии не распространяется. Стоимость транспортировки изделий в адрес компании Tripp Lite или ее уполномоченного сервисного центра должна быть оплачена авансом. Номер RMA должен быть указан на внешней стороне упаковки. Если возврат изделия производится в период действия гарантии, то необходимо приложить копию товарного чека продавца. Возврат изделия для проведения ремонта или технического обслуживания должен производиться застрахованным перевозчиком по адресу, указанному в ответе на ваш запрос номера RMA.

## 9. Гарантийные обязательства

### Ограниченная гарантия

Продавец гарантирует отсутствие изначальных дефектов материала или изготовления в течение 1 года с момента первой покупки данного изделия при условии его использования в соответствии со всеми применимыми к нему указаниями. В случае проявления каких-либо дефектов материала или изготовления в течение указанного периода Продавец осуществляет ремонт или замену данного изделия исключительно по своему усмотрению. Обслуживание согласно настоящей гарантии включает в себя поставку запасных частей и выполнение необходимых работ в центре технического обслуживания компании Tripp Lite. Планы обслуживания по месту установки можно получить через уполномоченных партнеров по техническому обслуживанию (в большинстве регионов) компании Tripp Lite. Более подробная информация изложена на странице [www.tripplite.com/support](http://www.tripplite.com/support). Зарубежным клиентам следует обращаться за поддержкой компании Tripp Lite по адресу: [intlservice@tripplite.com](mailto:intlservice@tripplite.com).

ДЕЙСТВИЕ НАСТОЯЩЕЙ ГАРАНТИИ НЕ РАСПРОСТРАНЯЕТСЯ НА СЛУЧАИ ЕСТЕСТВЕННОГО ИЗНОСА ИЛИ ПОВРЕЖДЕНИЯ В РЕЗУЛЬТАТЕ АВАРИИ, НЕНАДЛЕЖАЩЕГО ИСПОЛЬЗОВАНИЯ, НАРУШЕНИЯ ПРАВИЛ ЭКСПЛУАТАЦИИ ИЛИ ХАЛАТНОСТИ. ПРОДАВЕЦ НЕ ПРЕДОСТАВЛЯЕТ НИКАКИХ ЯВНО ВЫРАЖЕННЫХ ГАРАНТИЙ ЗА ИСКЛЮЧЕНИЕМ ПРЯМО ИЗЛОЖЕННОЙ В НАСТОЯЩЕМ ДОКУМЕНТЕ. ЗА ИСКЛЮЧЕНИЕМ СЛУЧАЕВ, ЗАПРЕЩЕННЫХ ДЕЙСТВУЮЩИМ ЗАКОНОДАТЕЛЬСТВОМ, ВСЕ ПОДРАЗУМЕВАЕМЫЕ ГАРАНТИИ, ВКЛЮЧАЯ ВСЕ ГАРАНТИИ ПРИГОДНОСТИ ДЛЯ ПРОДАЖИ ИЛИ ИСПОЛЬЗОВАНИЯ ПО НАЗНАЧЕНИЮ, ОГРАНИЧЕНЫ ПО ПРОДОЛЖИТЕЛЬНОСТИ ДЕЙСТВИЯ ВЫШЕУКАЗАННЫМ ГАРАНТИЙНЫМ СРОКОМ; КРОМЕ ТОГО, ИЗ НАСТОЯЩЕЙ ГАРАНТИИ ЯВНЫМ ОБРАЗОМ ИСКЛЮЧАЮТСЯ ВСЕ ПОБОЧНЫЕ, СЛУЧАЙНЫЕ И КОСВЕННЫЕ УБЫТКИ. (В некоторых штатах не допускается введение ограничений на продолжительность действия тех или иных подразумеваемых гарантий, а в некоторых — исключение или ограничение размера побочных или косвенных убытков. В этих случаях вышеизложенные ограничения или исключения могут на вас не распространяться. Настоящая Гарантия предоставляет вам конкретные юридические права, а набор других ваших прав может быть различным в зависимости от юрисдикции).

Tripp Lite; 1111 W. 35th Street; Chicago IL 60609; USA

**ВНИМАНИЕ!** До начала использования данного устройства пользователь должен убедиться в том, что оно является пригодным, соответствующим или безопасным для предполагаемого применения. В связи с большим разнообразием конкретных применений производитель не дает каких-либо заверений или гарантий относительно пригодности данных изделий для какого-либо конкретного применения или их соответствия каким-либо конкретным требованиям.

### Идентификационные номера соответствия нормативным требованиям

В целях сертификации на соответствие нормативным требованиям и опознавания приобретенному вами изделию марки Tripp Lite присвоен уникальный серийный номер. Серийный номер располагается на заводской табличке вместе со всеми необходимыми отметками о приемке и прочей информацией. При запросе информации о соответствии данного изделия нормативным требованиям обязательно указывайте его серийный номер. Серийный номер не следует путать с торговым наименованием изделия или номером его модели.

Компания Tripp Lite постоянно совершенствует свою продукцию. В связи с этим возможно изменение технических характеристик без предварительного уведомления.



Продукция высшего качества.

1111 W. 35th Street, Chicago, IL 60609 USA • [www.tripplite.com/support](http://www.tripplite.com/support)