

Owner's Manual

FTDI USB to Serial Adapter Cable with COM Retention

Model: U209-005-COM

Este manual esta disponible en español en la página
de Tripp Lite: www.tripplite.com/support

Ce manuel est disponible en français sur le site Web
de Tripp Lite : www.tripplite.com/support

Русскоязычная версия настоящего руководства
представлена на веб-сайте компании Tripp Lite
по адресу: www.tripplite.com/support

PROTECT YOUR INVESTMENT!

Register your product for quicker service and ultimate peace of mind.
You could also win an ISOBAR6ULTRA surge protector—a \$100 value!
www.tripplite.com/warranty

The logo for Tripp-Lite, featuring the brand name in a bold, italicized, sans-serif font. The text is contained within a stylized graphic that consists of two horizontal lines above and below the text, with a circular shape behind the dot of the 'P' and the 'L'.

1111 W. 35th Street, Chicago, IL 60609 USA
www.tripplite.com/support

Copyright © 2017 Tripp Lite. All rights reserved.
All trademarks are the property of their owners.

Package Contents

- U209-005-COM
- Driver CD
- Owner's Manual

Product Features

- Add a RS-232 serial port via the USB port on your laptop, tablet or computer
- COM retention allows the same COM port values to be reassigned to each port in case a cable is disconnected or the system is rebooted
- FTDI chipset supports advanced features and compatibility
- Supports data transfer rates up to 230Kbps
- Supports USB 2.0 specifications; backwards compatible with USB 1.1
- Supports remote wake up and power management
- Premium double-shielded cable eliminates cross-talk and reduces EMI/RFI interference
- No external power required

System Requirements

- Computer with an available USB port
- Compatible with Windows, Mac and Linux operating systems

Installation

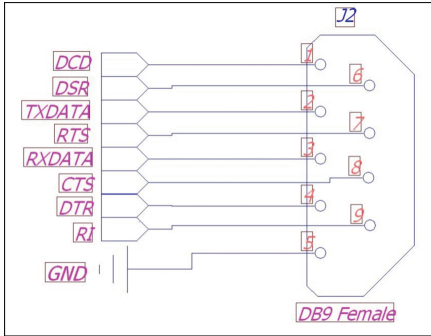
- 1.** Power on your computer and insert the included CD driver into the CD ROM drive of your computer. **Note:** *If your computer does not have a CD Drive, you can obtain the driver at www.tripplite.com/support.*
- 2.** Launch the driver that corresponds with your product and follow the prompts until installation is completed.
- 3.** Your computer will detect the adapter and assign it a COM port upon completing the installation.
- 4.** To verify that your adapter has been successfully installed, navigate to your computer's Control Panel and open the Device Manager screen. The adapter will appear in the *Ports* section, with its assigned COM port next to it.

Installation



Installation

Pinout



Warranty and Product Registration

3-Year Limited Warranty

TRIPP LITE warrants its products to be free from defects in materials and workmanship for a period of three (3) years from the date of initial purchase. TRIPP LITE's obligation under this warranty is limited to repairing or replacing (at its sole option) any such defective products. To obtain service under this warranty, you must obtain a Returned Material Authorization (RMA) number from TRIPP LITE or an authorized TRIPP LITE service center. Products must be returned to TRIPP LITE or an authorized TRIPP LITE service center with transportation charges prepaid and must be accompanied by a brief description of the problem encountered and proof of date and place of purchase. This warranty does not apply to equipment, which has been damaged by accident, negligence or misapplication or has been altered or modified in any way.

EXCEPT AS PROVIDED HEREIN, TRIPP LITE MAKES NO WARRANTIES, EXPRESS OR IMPLIED, INCLUDING WARRANTIES OF MERCHANTABILITY AND FITNESS FOR A PARTICULAR PURPOSE.

Some states do not permit limitation or exclusion of implied warranties; therefore, the aforesaid limitation(s) or exclusion(s) may not apply to the purchaser.

EXCEPT AS PROVIDED ABOVE, IN NO EVENT WILL TRIPP LITE BE LIABLE FOR DIRECT, INDIRECT, SPECIAL, INCIDENTAL OR CONSEQUENTIAL DAMAGES ARISING OUT OF THE USE OF THIS PRODUCT, EVEN IF ADVISED OF THE POSSIBILITY OF SUCH DAMAGE. Specifically, TRIPP LITE is not liable for any costs, such as lost profits or revenue, loss of equipment, loss of use of equipment, loss of software, loss of data, costs of substitutes, claims by third parties, or otherwise.

Warranty and Product Registration

Product Registration

Visit www.tripplite.com/warranty today to register your new Tripp Lite product. You'll be automatically entered into a drawing for a chance to win a FREE Tripp Lite product!*

* No purchase necessary. Void where prohibited. Some restrictions apply. See website for details.

FCC Notice, Class B

This device complies with part 15 of the FCC Rules. Operation is subject to the following two conditions: (1) This device may not cause harmful interference, and (2) this device must accept any interference received, including interference that may cause undesired operation.

Note: This equipment has been tested and found to comply with the limits for a Class B digital device, pursuant to part 15 of the FCC Rules. These limits are designed to provide reasonable protection against harmful interference in a residential installation. This equipment generates, uses and can radiate radio frequency energy and, if not installed and used in accordance with the instructions, may cause harmful interference to radio communications. However, there is no guarantee that interference will not occur in a particular installation. If this equipment does cause harmful interference to radio or television reception, which can be determined by turning the equipment off and on, the user is encouraged to try to correct the interference by one or more of the following measures:

- Reorient or relocate the receiving antenna.
- Increase the separation between the equipment and receiver.
- Connect the equipment into an outlet on a circuit different from that to which the receiver is connected.
- Consult the dealer or an experienced radio/TV technician for help.

Warranty and Product Registration

Any changes or modifications to this equipment not expressly approved by Tripp Lite could void the user's authority to operate this equipment.

WEEE Compliance Information for Tripp Lite Customers and Recyclers (European Union)



Under the Waste Electrical and Electronic Equipment (WEEE) Directive and implementing regulations, when customers buy new electrical and electronic equipment from Tripp Lite they are entitled to:

- Send old equipment for recycling on a one-for-one, like-for-like basis (this varies depending on the country)
- Send the new equipment back for recycling when this ultimately becomes waste

Use of this equipment in life support applications where failure of this equipment can reasonably be expected to cause the failure of the life support equipment or to significantly affect its safety or effectiveness is not recommended.

Tripp Lite has a policy of continuous improvement. Specifications are subject to change without notice.

TRIPP·LITE



1111 W. 35th Street, Chicago, IL 60609 USA
www.tripplite.com/support