

# Quick Start Guide

## Digital Signage In-Line HDBaseT & 10G Network Surge Protector

Model: B110-SP-CAT

Este guía esta disponible en español en la página de Tripp Lite:  
[www.tripplite.com/support](http://www.tripplite.com/support)

Ce guide est disponible en français sur le site Web de Tripp Lite :  
[www.tripplite.com/support](http://www.tripplite.com/support)

Русскоязычная версия настоящего краткого руководства представлена  
на веб-сайте компании Tripp Lite по адресу: [www.tripplite.com/support](http://www.tripplite.com/support)

### WARRANTY REGISTRATION

Register your product today and be  
automatically entered to win an ISOBAR  
surge protector in our monthly drawing!



[www.tripplite.com/warranty](http://www.tripplite.com/warranty)



Manufacturing  
Excellence.

1111 W. 35th Street, Chicago, IL 60609 USA • [www.tripplite.com/support](http://www.tripplite.com/support)

Copyright © 2019 Tripp Lite. All rights reserved.

## Package Includes

- B110-SP-CAT
- Grounding Wire, 12 in. / 305 mm
- Mounting Screws (x4)
- Screw Anchors (x4)
- Grounding Wire Screw
- Quick Start Guide

## Product Features

- Protects your network equipment's inputs and outputs against electrostatic discharge (ESD), lightning surges and cable discharge events
- Meets the following IEC regulations:
  - o IEC 61000-4-2 (ESD) +/- 15kV (Air), +/- 8kV (Contact)
  - o IEC 61000-4-5 (Lightning) 2kA (8/20 $\mu$ s), 6kV (8/20 $\mu$ s)
- Lightning protection reaction speed < 1 ns
- Solid-state silicon-avalanche technology
- Supports network data transmission speeds up to 10 Gbps
- Supports resolutions up 4K @ 60 Hz (HDBaseT)
- Easy in-line installation with integrated mounting ears
- Passive by design – no external power required

# Installation

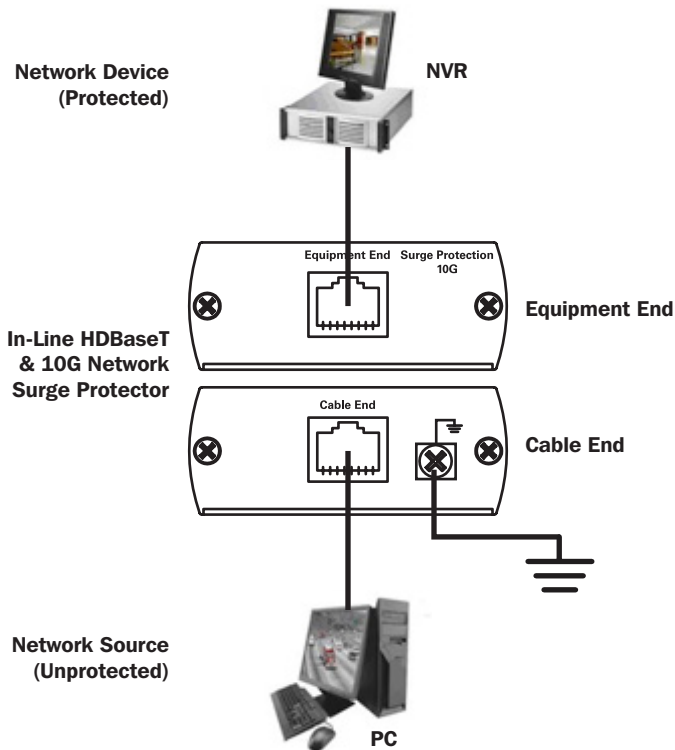
**Note:** The following instructions assume that two network devices are currently connected together.

## Single Device Protection:

1. Disconnect the installed patch cable from the device you wish to protect and attach this cable to the “Cable End” of the In-Line HDBaseT & 10G Network Surge Protector.
2. Using a Cat5/5e/6 patch cable (not included), connect the device to be protected to the “Equipment End” of the In-Line HDBaseT & 10G Network Surge Protector.

**Note:** For best protection performance, the patch cable between the “Equipment End” of the In-Line HDBaseT & 10G Network Surge Protector and the equipment to be protected should not exceed 300 ft. (90 m). Tripp Lite’s N001-Series Cat5e Snagless Patch Cables are recommended.

3. Connect the ground wire to the In-Line HDBaseT & 10G Network Surge Protector and then to earth ground.



# Installation

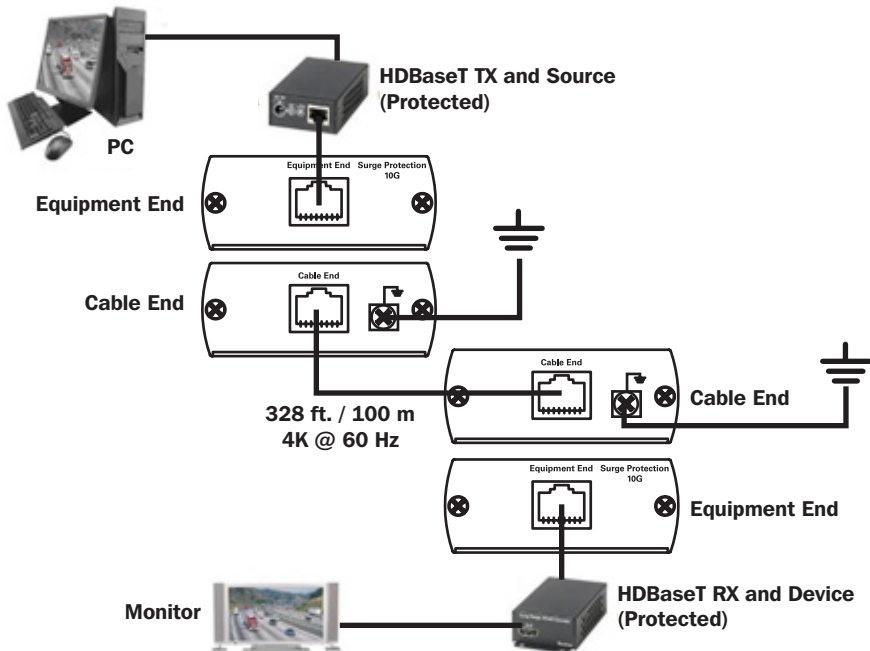
## Multiple Device Protection:

**Note:** The maximum distance between any two In-Line HDBaseT & 10G Network Surge Protectors is 328 ft. (100 m).

1. Disconnect the installed patch cables from both of the devices you wish to protect.
2. Connect an In-Line HDBaseT & 10G Network Surge Protector to each end of the previously uninstalled patch cable, ensuring both ends of the patch cable are connected to the “Cable End” of the In-Line HDBaseT & 10G Network Surge Protector.
3. Using Cat5/5e/6 patch cables (not included), connect the “Equipment End” of each In-Line HDBaseT & 10G Network Surge Protector to the network devices you wish to protect.

**Note:** For best protection performance, the Cat5/5e/6 patch cable between the “Equipment End” of the In-Line HDBaseT & 10G Network Surge Protector and the network equipment to be protected should not exceed 300 ft. (90 m). Tripp Lite’s N001-Series Cat5e Snagless Patch Cables are recommended.

4. Connect the ground wire to each In-Line HDBaseT & 10G Network Surge Protector and then to earth ground.



## Specifications

Input / Output Connectors	RJ45 (Female)
ESD Protection	15kV (Air), 8kV (Contact)
Lightning Protection	2kA (8/20 $\mu$ s) / 6kV (8/20 $\mu$ s)
Lightning Protection Reaction Speed	<1 ns
Operating Temp	14 to 167°F / 10 to 75°C
Storage Temp	-40 to 194°F / -40 to 90°C
Bandwidth (Data Rate)	Up to 10 Gbps
Return Loss (100 $\Omega$ )	16 dB
Max Resolution Supported	4K @ 60 Hz
Dimensions	2.63 x 3.43 x 1.06 / 67 x 87 x 27 mm
Weight	0.28 lb. / 127 g

# Warranty and Product Registration

## 2-Year Limited Warranty

Tripp Lite warrants its products to be free from defects in materials and workmanship for a period of two (2) years from the date of initial purchase. Tripp Lite's obligation under this warranty is limited to repairing or replacing (at its sole option) any such defective products. To obtain service under this warranty, you must obtain a Returned Material Authorization (RMA) number from Tripp Lite or an authorized Tripp Lite service center. Products must be returned to Tripp Lite or an authorized Tripp Lite service center with transportation charges prepaid and must be accompanied by a brief description of the problem encountered and proof of date and place of purchase. This warranty does not apply to equipment, which has been damaged by accident, negligence or misapplication or has been altered or modified in any way.

EXCEPT AS PROVIDED HEREIN, Tripp Lite MAKES NO WARRANTIES, EXPRESS OR IMPLIED, INCLUDING WARRANTIES OF MERCHANTABILITY AND FITNESS FOR A PARTICULAR PURPOSE. Some states do not permit limitation or exclusion of implied warranties; therefore, the aforesaid limitation(s) or exclusion(s) may not apply to the purchaser.

EXCEPT AS PROVIDED ABOVE, IN NO EVENT WILL Tripp Lite BE LIABLE FOR DIRECT, INDIRECT, SPECIAL, INCIDENTAL OR CONSEQUENTIAL DAMAGES ARISING OUT OF THE USE OF THIS PRODUCT, EVEN IF ADVISED OF THE POSSIBILITY OF SUCH DAMAGE. Specifically, Tripp Lite is not liable for any costs, such as lost profits or revenue, loss of equipment, loss of use of equipment, loss of software, loss of data, costs of substitutes, claims by third parties, or otherwise.

## Product Registration

Visit [www.tripplite.com/warranty](http://www.tripplite.com/warranty) today to register your new Tripp Lite product. You'll be automatically entered into a drawing for a chance to win a FREE Tripp Lite product!\*

\* No purchase necessary. Void where prohibited. Some restrictions apply. See website for details.

Use of this equipment in life support applications where failure of this equipment can reasonably be expected to cause the failure of the life support equipment or to significantly affect its safety or effectiveness is not recommended.

Tripp Lite has a policy of continuous improvement. Specifications are subject to change without notice. Photos and illustrations may differ slightly from actual products.





Manufacturing  
Excellence.

1111 W. 35th Street, Chicago, IL 60609 USA • [www.tripplite.com/support](http://www.tripplite.com/support)