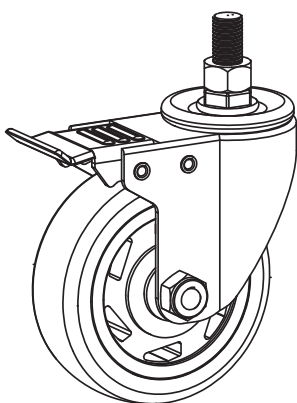


Installation Guide

Heavy-Duty Locking Casters for Rolling TV/Monitor Carts

Model: DMCCASTER



Este guía esta disponible en español en la página de Tripp Lite:
triplite.com/support

Ce guide est disponible en français sur le site Web de Tripp Lite :
triplite.com/support

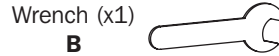
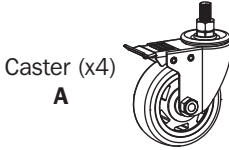
Dieses Handbuch ist in deutscher Sprache auf der Tripp Lite-Website
verfügbar: triplite.com/support



1111 W. 35th Street, Chicago, IL 60609 USA • triplite.com/support

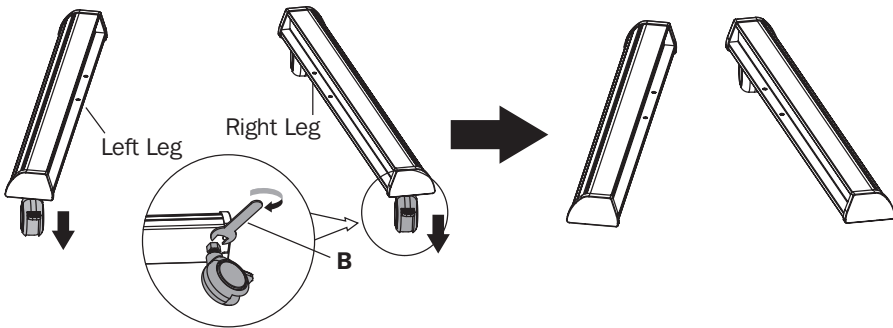
Copyright © 2019 Tripp Lite. All rights reserved.

Parts List

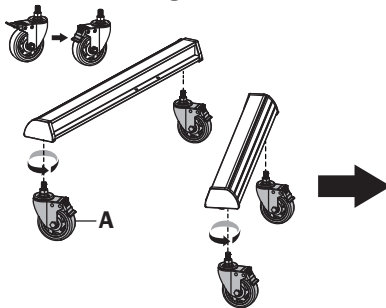


Installation

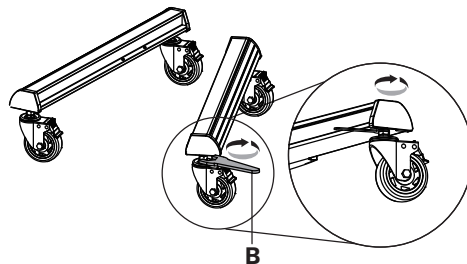
- 1** Using the included wrench, remove the existing small casters from the rolling TV/monitor cart.



- 2** Install the heavy-duty locking casters into the threaded caster slots. Use the wrench to tighten the casters.



- 3** Use the wrench to adjust caster height.



Tripp Lite has a policy of continuous improvement. Specifications are subject to change without notice. Photos and illustrations may differ slightly from actual products.



1111 W. 35th Street, Chicago, IL 60609 USA • triplite.com/support