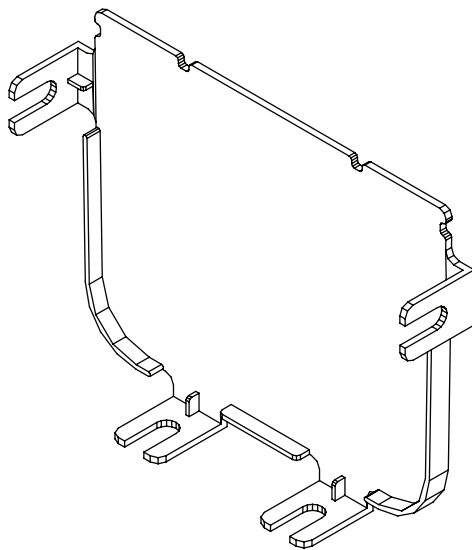


Installation Guide

End Cap Kit for Fiber Routing System

Models: SRFC5CAP, SRFC10CAP



Este guía esta disponible en español
en la página de Tripp Lite:
tripplite.com/support

Ce guide est disponible en français
sur le site Web de Tripp Lite :
tripplite.com/support

Русскоязычная версия настоящего
краткого руководства представлена
на веб-сайте компании Tripp Lite по
адресу: tripplite.com/support

WARRANTY REGISTRATION

Register your product today and be
automatically entered to win an ISOBAR
surge protector in our monthly drawing!

tripplite.com/warranty



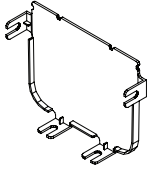
TRIPP-LITE



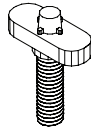
1111 W. 35th Street, Chicago, IL 60609 USA • tripplite.com/support

Copyright © 2020 Tripp Lite. All rights reserved.

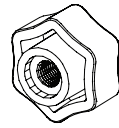
Parts List



End Cap, x1



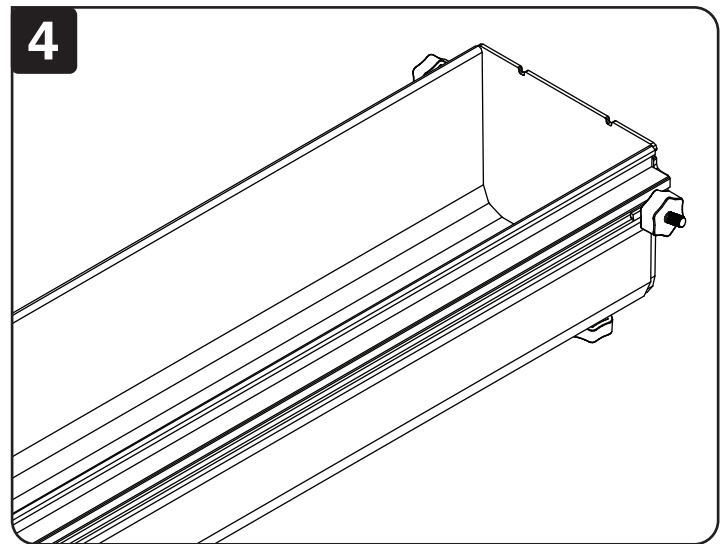
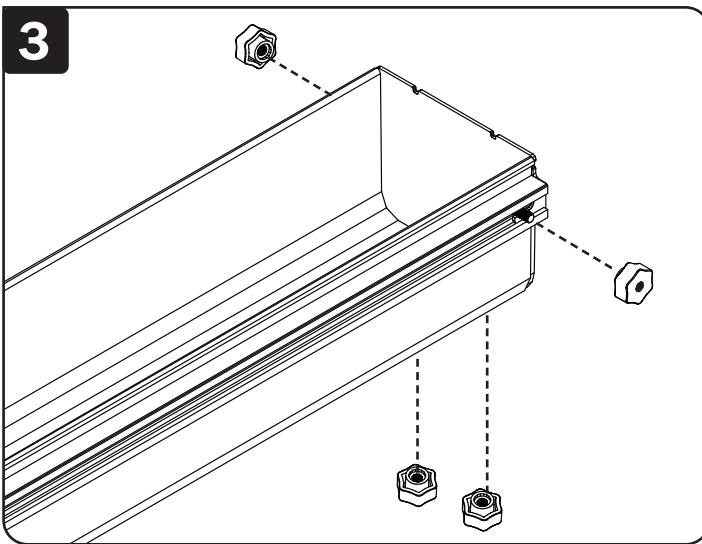
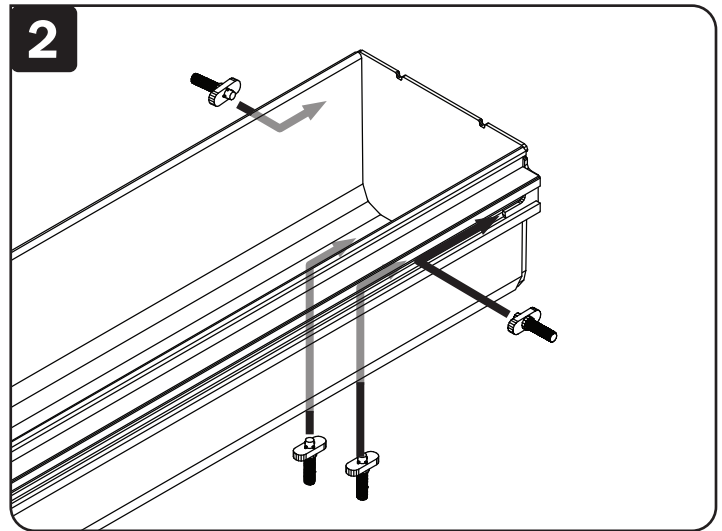
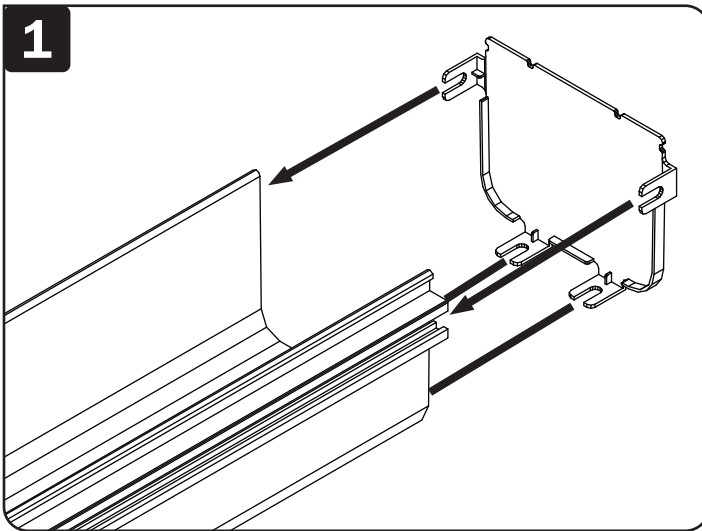
T-Shape Screws, x4



Twist Nuts, x4

Installation

Closes off the end of a channel for a professional, finished look. Tighten screws and nuts by hand, no tools needed.



Tripp Lite has a policy of continuous improvement. Specifications are subject to change without notice.
Photos and illustrations may differ slightly from actual products.



1111 W. 35th Street, Chicago, IL 60609 USA • triplite.com/support