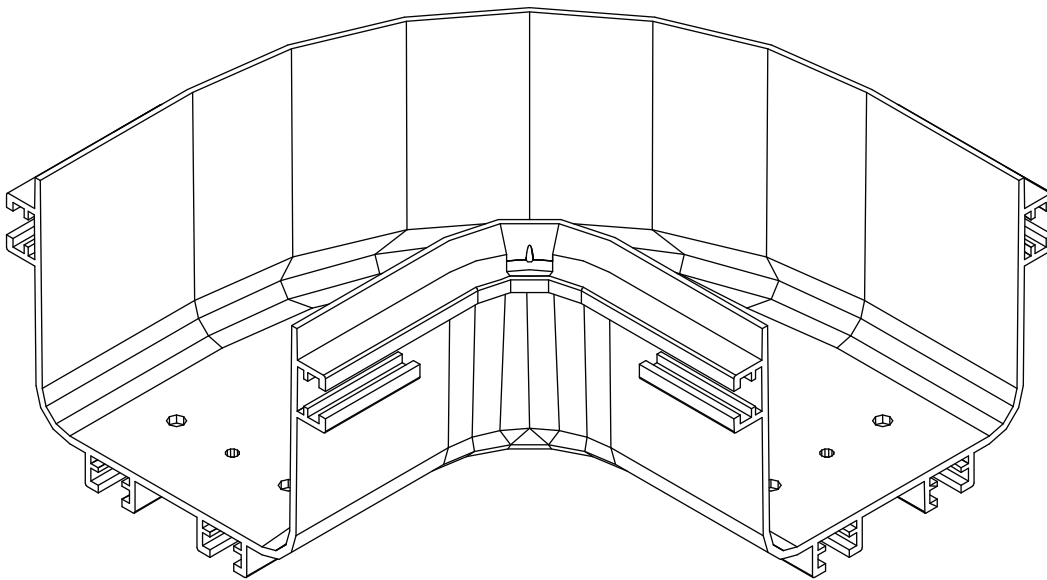


# Installation Guide

## Horizontal 90-Degree Elbow for Fiber Routing System

Models: SRFC5ELBOW, SRFC10ELBOW



Este guía esta disponible en español  
en la página de Tripp Lite:  
[tripplite.com/support](http://tripplite.com/support)

Ce guide est disponible en français  
sur le site Web de Tripp Lite :  
[tripplite.com/support](http://tripplite.com/support)

Русскоязычная версия настоящего  
краткого руководства представлена  
на веб-сайте компании Tripp Lite по  
адресу: [tripplite.com/support](http://tripplite.com/support)

### WARRANTY REGISTRATION

Register your product today and be  
automatically entered to win an ISOBAR  
surge protector in our monthly drawing!

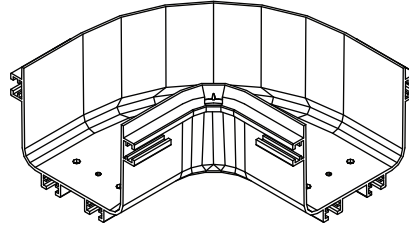
[tripplite.com/warranty](http://tripplite.com/warranty)



1111 W. 35th Street, Chicago, IL 60609 USA • [tripplite.com/support](http://tripplite.com/support)

Copyright © 2020 Tripp Lite. All rights reserved.

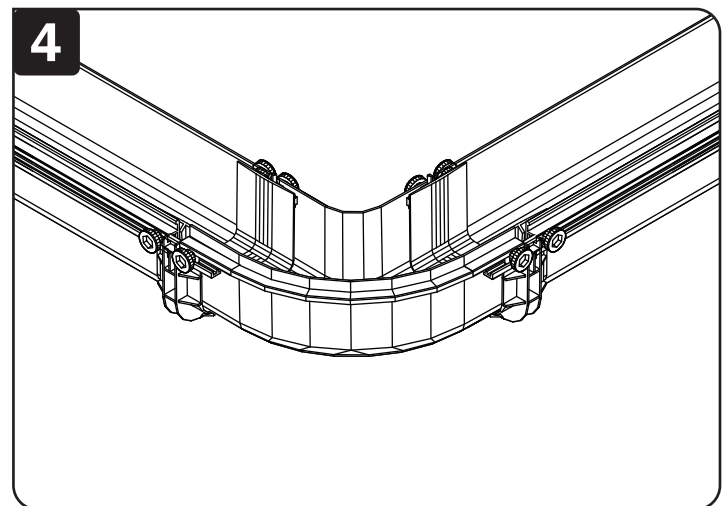
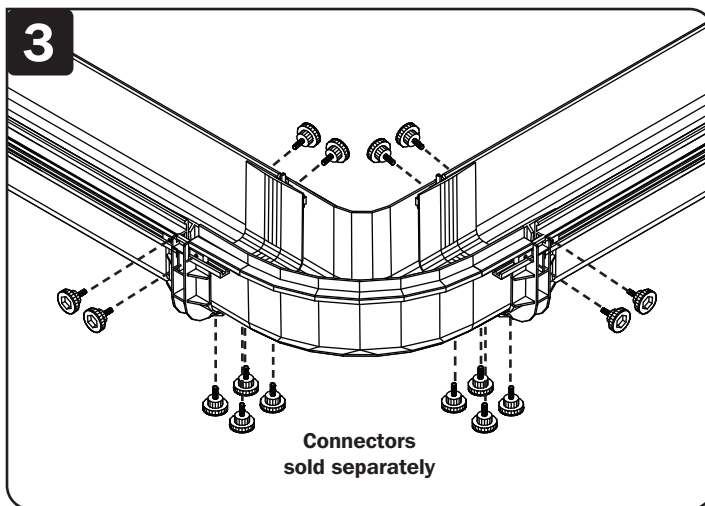
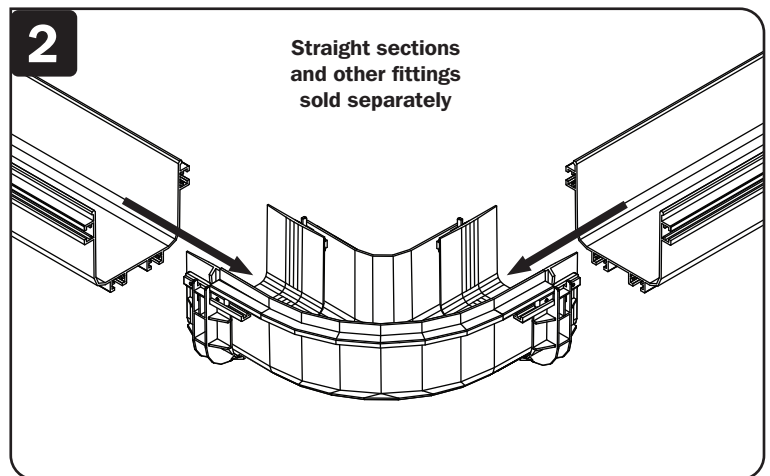
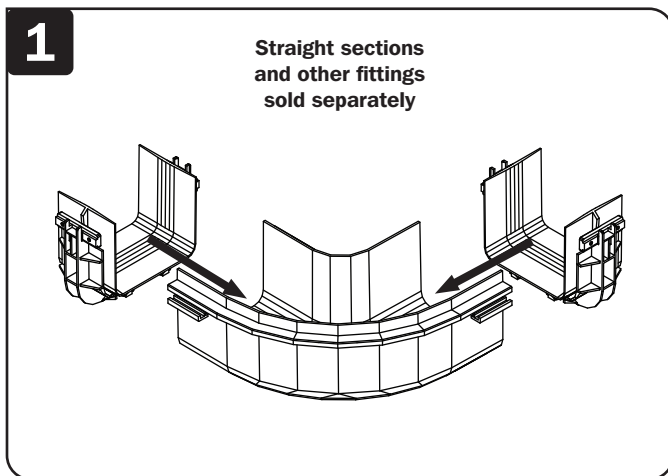
# Parts List



90-Degree Elbow, x1

# Installation

Attaches to a channel section fitting to create a 90-degree elbow from a straight horizontal run. (Requires toolless couplers, sold separately, for connection.) Tighten screws by hand, no tools needed.



Tripp Lite has a policy of continuous improvement. Specifications are subject to change without notice. Photos and illustrations may differ slightly from actual products.



1111 W. 35th Street, Chicago, IL 60609 USA • [triplite.com/support](http://triplite.com/support)