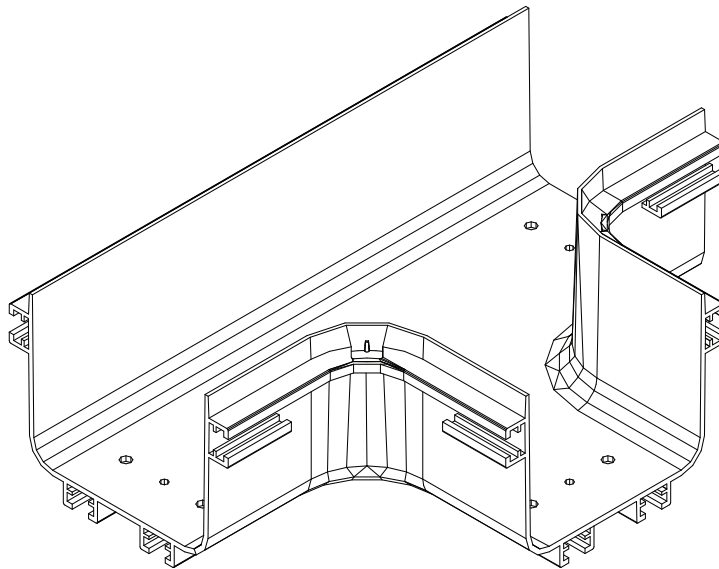


Installation Guide

T-Junction for Fiber Routing System

Models: SRFC5JUNT, SRFC10JUNT



Este guía esta disponible en español
en la página de Tripp Lite:
tripplite.com/support

Ce guide est disponible en français
sur le site Web de Tripp Lite :
tripplite.com/support

Русскоязычная версия настоящего
краткого руководства представлена
на веб-сайте компании Tripp Lite по
адресу: tripplite.com/support

WARRANTY REGISTRATION

Register your product today and be
automatically entered to win an ISOBAR
surge protector in our monthly drawing!

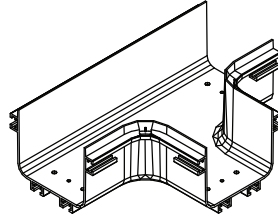
tripplite.com/warranty



1111 W. 35th Street, Chicago, IL 60609 USA • tripplite.com/support

Copyright © 2020 Tripp Lite. All rights reserved.

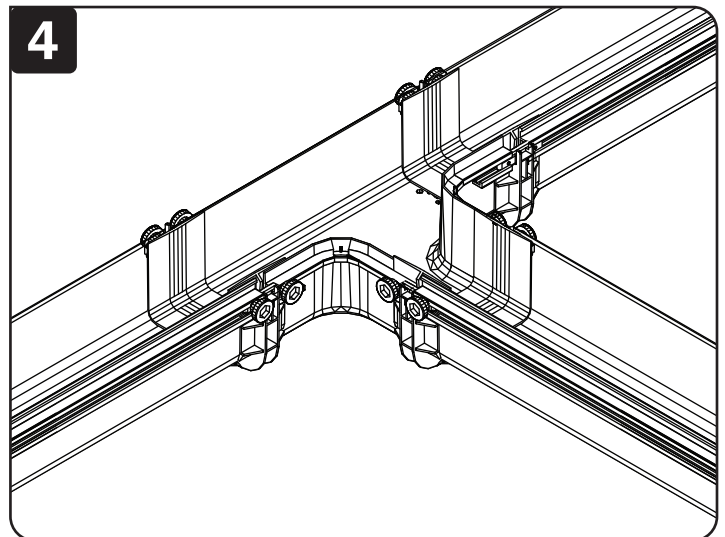
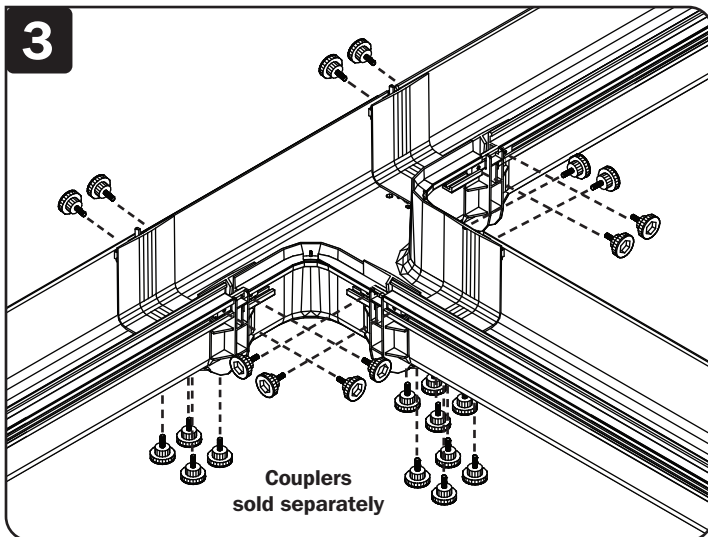
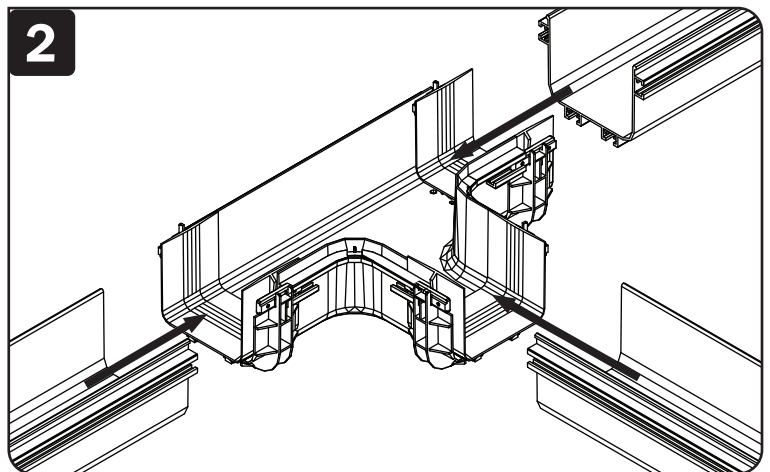
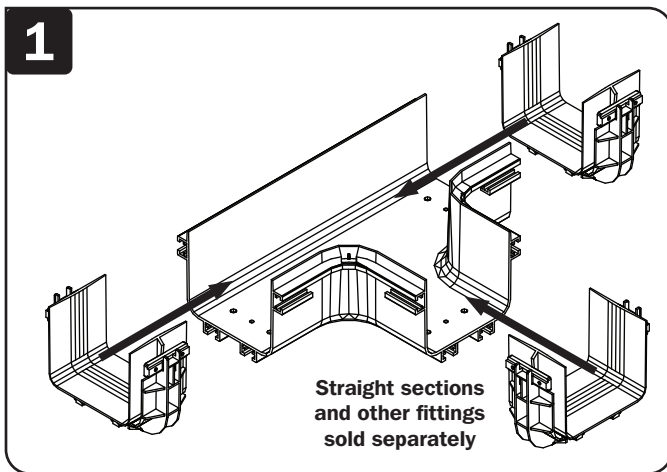
Parts List



Horizontal T-Junction, x1

Installation

Attaches to channels and/or fittings to create a 90-degree horizontal branch from a straight horizontal run. (Requires 3 toolless couplers, sold separately.) Tighten screws by hand, no tools needed.



Tripp Lite has a policy of continuous improvement. Specifications are subject to change without notice. Photos and illustrations may differ slightly from actual products.



1111 W. 35th Street, Chicago, IL 60609 USA • triplite.com/support