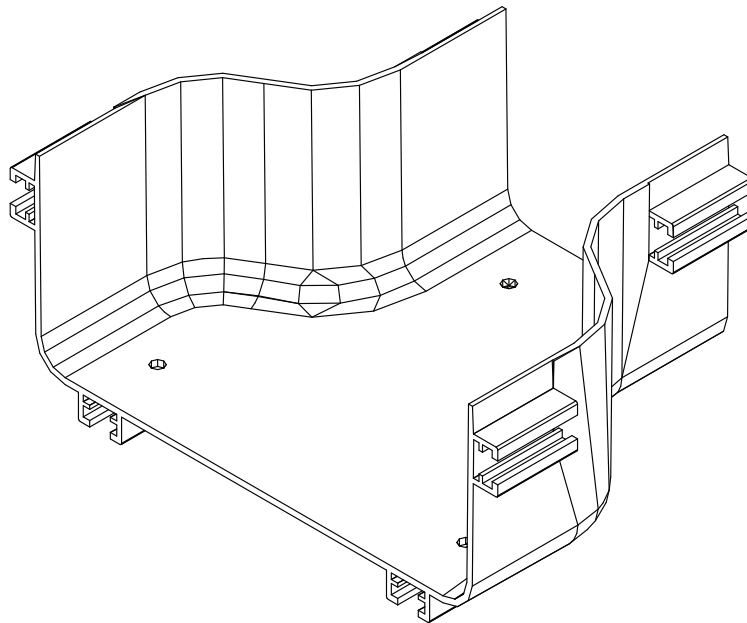


# Installation Guide

## 5 in. to 10 in. Adapter Fitting for Fiber Routing System

Model: SRFC5CPL10



Este guía esta disponible en español  
en la página de Tripp Lite:  
[tripplite.com/support](http://tripplite.com/support)

Ce guide est disponible en français  
sur le site Web de Tripp Lite :  
[tripplite.com/support](http://tripplite.com/support)

Русскоязычная версия настоящего  
краткого руководства представлена  
на веб-сайте компании Tripp Lite по  
адресу: [tripplite.com/support](http://tripplite.com/support)

### WARRANTY REGISTRATION

Register your product today and be  
automatically entered to win an ISOBAR  
surge protector in our monthly drawing!

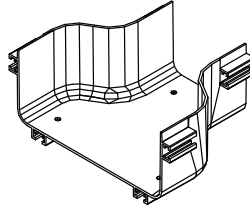
[tripplite.com/warranty](http://tripplite.com/warranty)



1111 W. 35th Street, Chicago, IL 60609 USA • [tripplite.com/support](http://tripplite.com/support)

Copyright © 2020 Tripp Lite. All rights reserved.

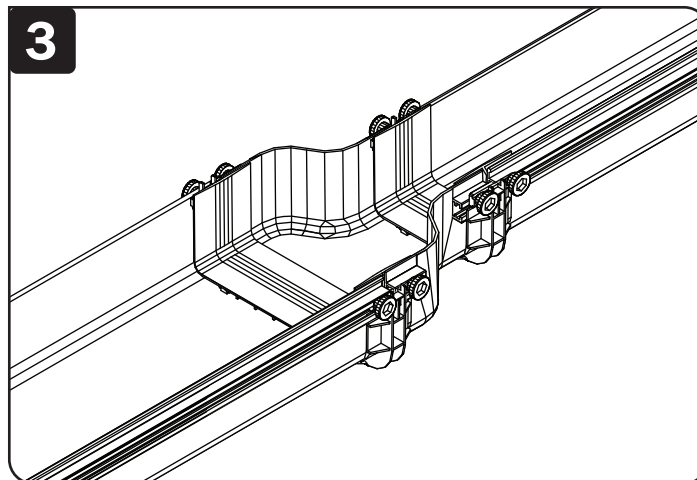
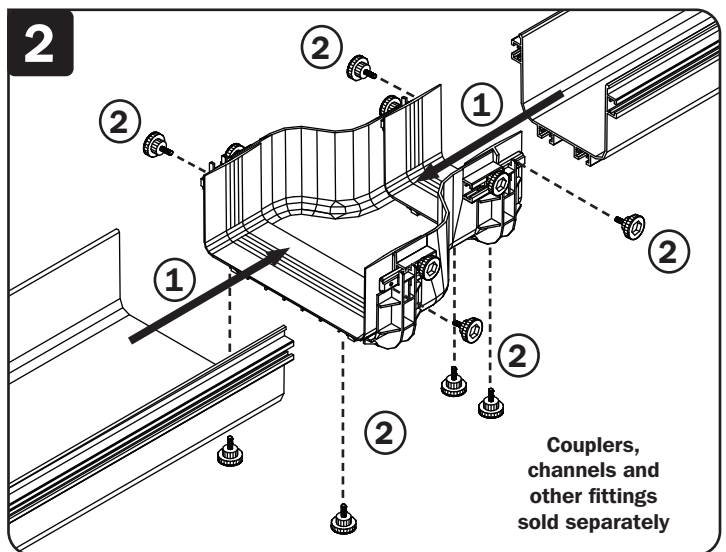
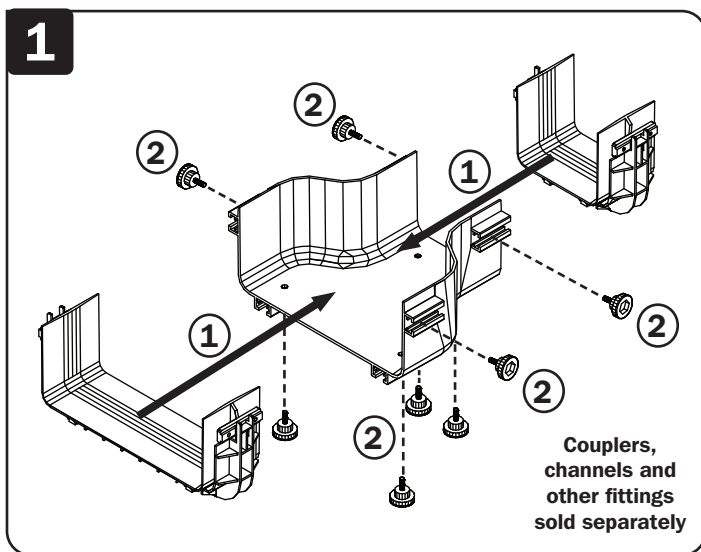
## Parts List



5 in. to 10 in. Adapter, x1

## Installation

Attaches any 5 in. fiber routing system section or fitting to any 10 in. section or fitting (requires one SRFC5CPL5 coupler and one SRFC10CPL10 coupler, sold separately). Tighten screws by hand, no tools needed.



Tripp Lite has a policy of continuous improvement. Specifications are subject to change without notice. Photos and illustrations may differ slightly from actual products.



1111 W. 35th Street, Chicago, IL 60609 USA • [triplite.com/support](http://triplite.com/support)