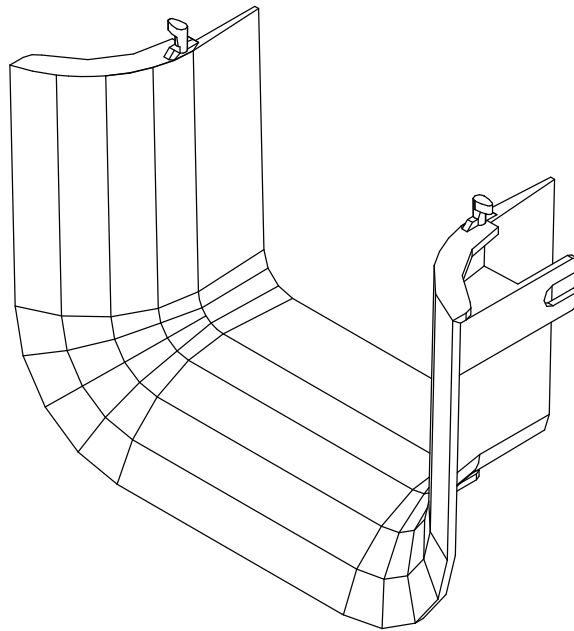


# Installation Guide

## Trumpet Drop-Out Kit for Fiber Routing System

Models: SRFC5DROP, SRFC10DROP



Este guía esta disponible en español  
en la página de Tripp Lite:  
[tripplite.com/support](http://tripplite.com/support)

Ce guide est disponible en français  
sur le site Web de Tripp Lite :  
[tripplite.com/support](http://tripplite.com/support)

Русскоязычная версия настоящего  
краткого руководства представлена  
на веб-сайте компании Tripp Lite по  
адресу: [tripplite.com/support](http://tripplite.com/support)

### WARRANTY REGISTRATION

Register your product today and be  
automatically entered to win an ISOBAR  
surge protector in our monthly drawing!

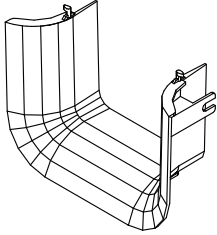
[tripplite.com/warranty](http://tripplite.com/warranty)



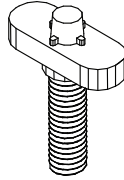
1111 W. 35th Street, Chicago, IL 60609 USA • [tripplite.com/support](http://tripplite.com/support)

Copyright © 2020 Tripp Lite. All rights reserved.

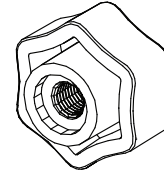
## Parts List



Trumpet Drop-Out, x1



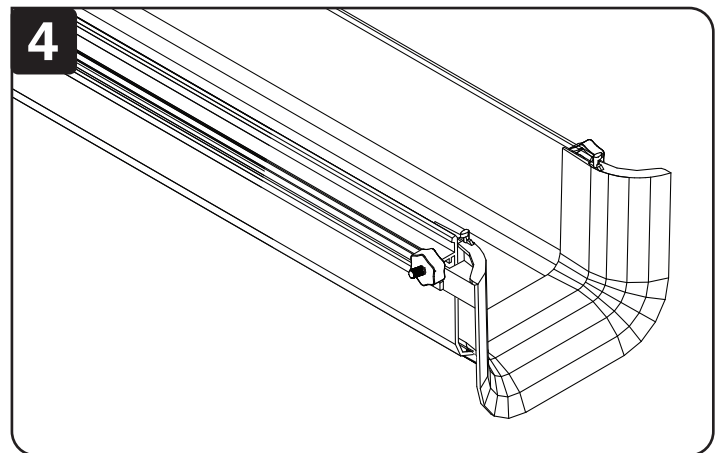
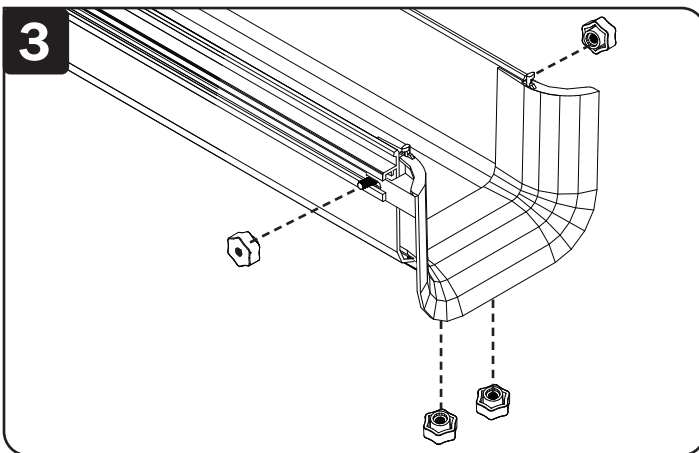
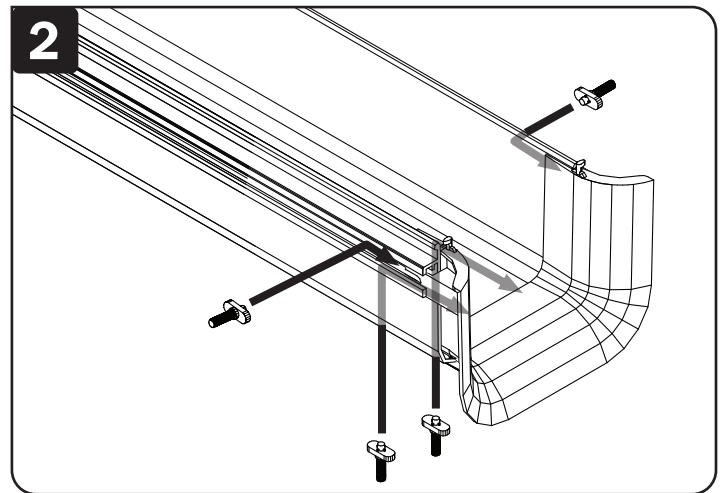
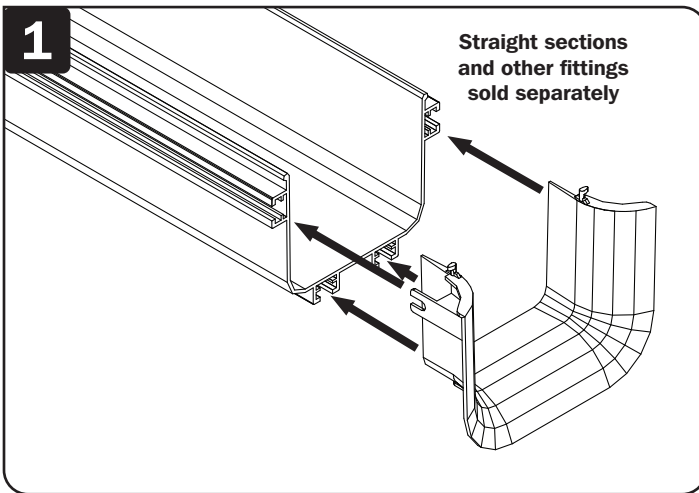
T-Shape Screws, x4



Twist Nuts, x4

## Installation

Used to limit the bend radius of the cable to 2 in. (50.8 mm) when exiting from a channel, a horizontal T fitting or the exit on a vertical T. Tighten screws and nuts by hand, no tools needed.



Tripp Lite has a policy of continuous improvement. Specifications are subject to change without notice. Photos and illustrations may differ slightly from actual products.



1111 W. 35th Street, Chicago, IL 60609 USA • [triplite.com/support](http://triplite.com/support)