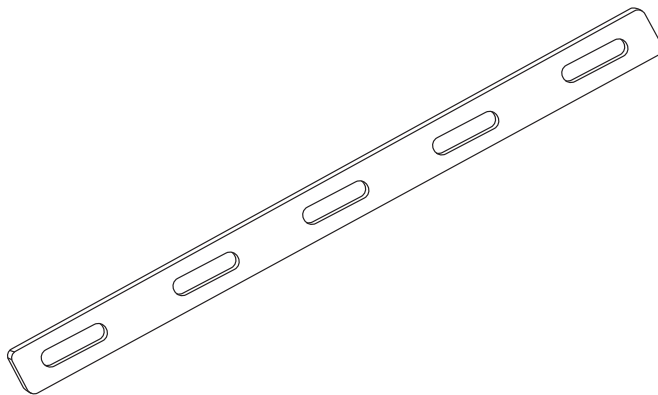
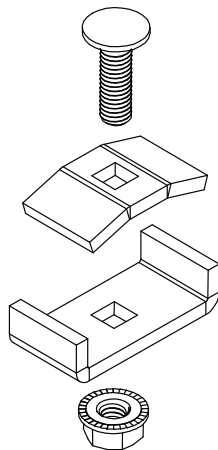


# Installation Guide

## Strengthening Bar Kit for SRWB Wire Basket Cable Trays

Model:  
SRWBHDCPLR

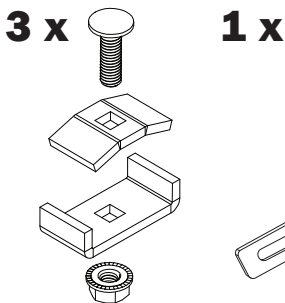


Este guía esta disponible en español  
en la página de Tripp Lite:  
[www.tripplite.com/support](http://www.tripplite.com/support)

Ce guide est disponible en français  
sur le site Web de Tripp Lite :  
[www.tripplite.com/support](http://www.tripplite.com/support)

Русскоязычная версия настоящего  
краткого руководства представлена  
на веб-сайте компании Tripp Lite по  
адресу: [www.tripplite.com/support](http://www.tripplite.com/support)

### Parts List



### Wire Tray Configuration



For instructions on cutting and fabricating wire basket trays, please refer to the documentation included with the SRWB Wire Baskets (sold separately).

This section provides wire tray cutting patterns and configuration instructions. For the sectional views shown for each wire tray model, the wires in the red portions should be cut and wires in the black portions should remain intact (see example below).



# TRIPP-LITE

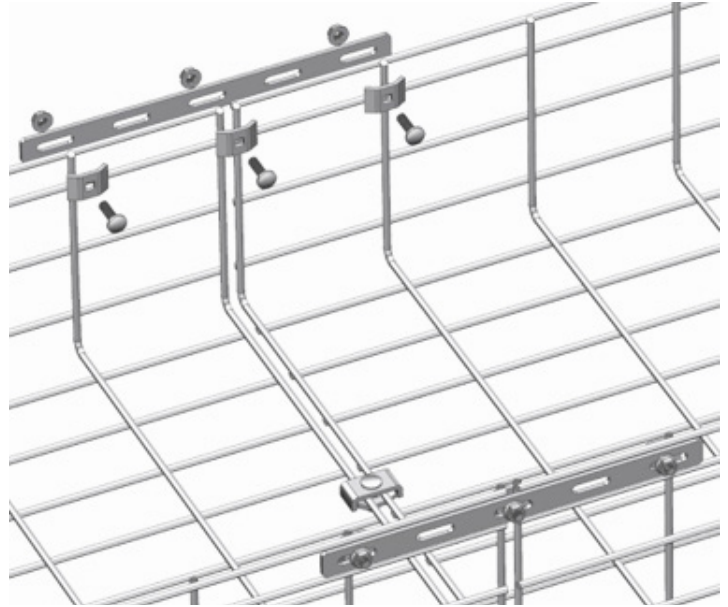


1111 W. 35th Street, Chicago, IL 60609 USA • [www.tripplite.com/support](http://www.tripplite.com/support)

Copyright © 2019 Tripp Lite. All rights reserved.

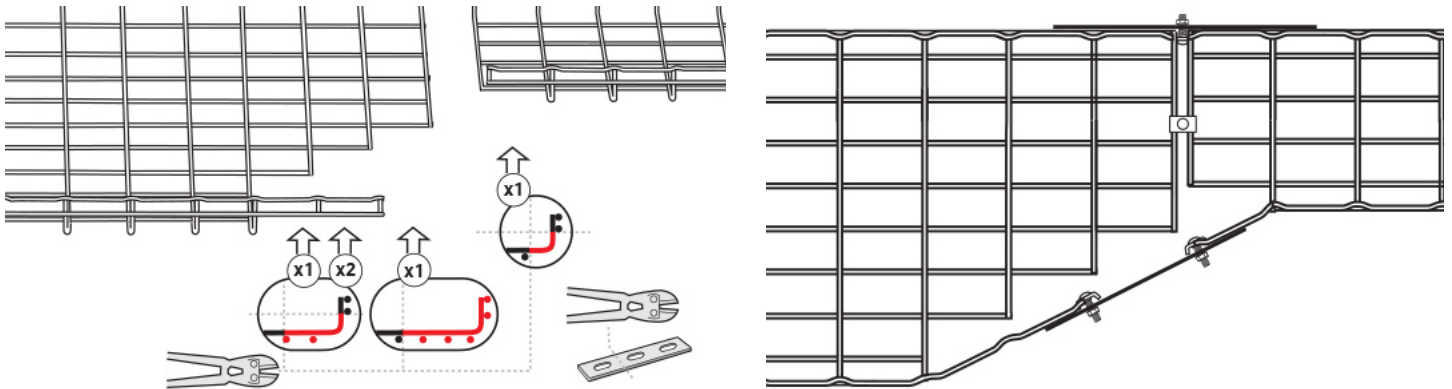
# Assembly

## Splicing/Connecting Wire Baskets



## Reductions

6" (150 mm) Wire Basket Model(s): SRWB6210STR, SRWB6410STR



12" (300mm) Wire Basket Model(s): SRWB12210STR, SRWB12410STR

