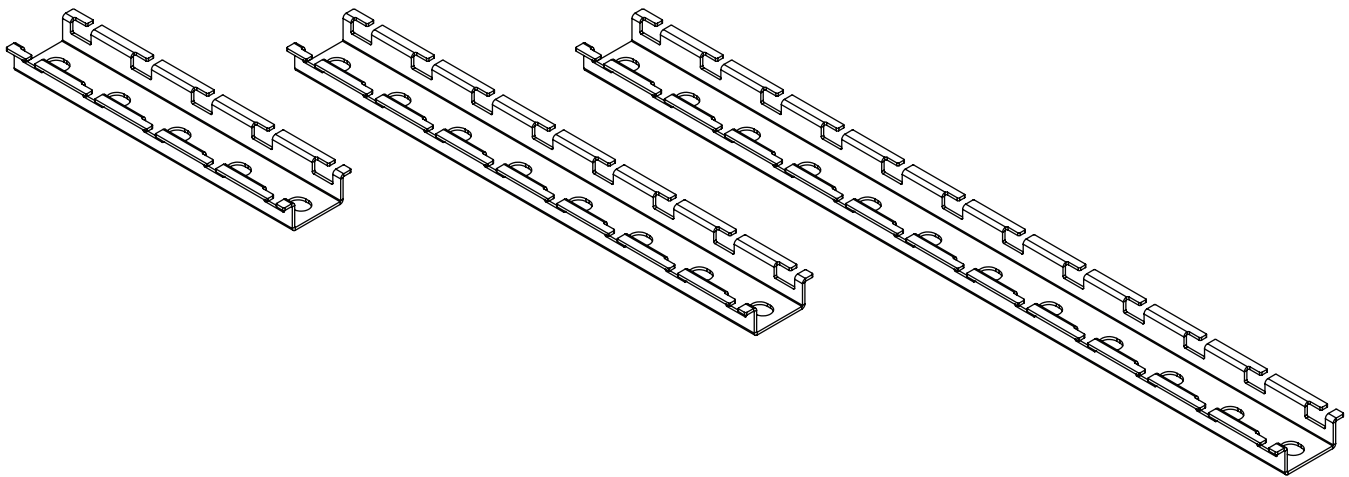


Installation Guide

Hanging Cross-Bracket for SRWB Wire Basket Cable Trays

Models:

SRWB6CROSSBRKT, SRWB12CROSSBRKT, SRWB18CROSSBRKT



Este guía esta disponible en español
en la página de Tripp Lite:
www.tripplite.com/support

Ce guide est disponible en français
sur le site Web de Tripp Lite :
www.tripplite.com/support

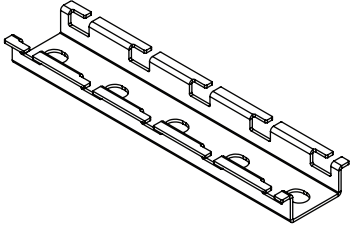
Русскоязычная версия настоящего
краткого руководства представлена
на веб-сайте компании Tripp Lite по
адресу: www.tripplite.com/support



1111 W. 35th Street, Chicago, IL 60609 USA • www.tripplite.com/support

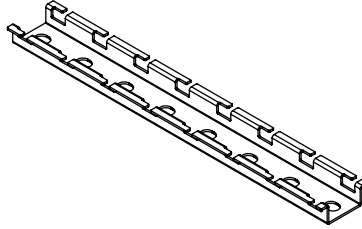
Copyright © 2019 Tripp Lite. All rights reserved.

Parts List



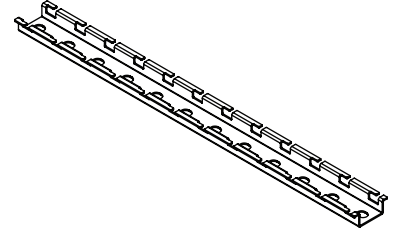
SRWB6CROSSBRKT

(For use with SRWB6210STR and SRWB6410STR 6 in./150 mm wire basket trays)



SRWB12CROSSBRKT

(For use with SRWB12210STR and SRWB12410STR 12 in./300 mm wire basket trays)



SRWB18CROSSBRKT

(For use with SRWB18410STR 18 in./457 mm wire basket trays)

Assembly



WARNING

- This mounting bracket was designed to be installed and utilized **ONLY** as specified in this guide. Improper installation of this product may cause damage or serious injury.
- This product should only be installed by someone of good mechanical ability, with basic building experience and a full understanding of this instruction manual.
- Installers are responsible to provide suitable mounting hardware.
- Installers must verify the mounting surface can safely support the combined load of the equipment and all attached components.

- 1** SRWB6CROSSBRKT model shown. Cross-bracket models accommodate M6, M8 and M10 threaded rod.

Threaded rod and mounting hardware not included.

