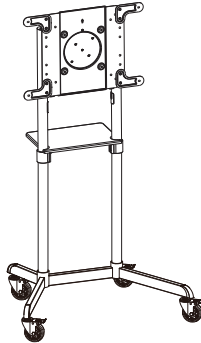


# Owner's Manual

## Mobile Rotating Display Cart

Model: DMCS3770ROT



WARNING! Always use an assistant or mechanical lifting equipment to safely lift and position equipment.



200 x 200 / 300 x 300  
350 x 350 / 400 x 200  
400 x 400 / 600 x 200  
600 x 400

70"  
MAX



Rated for TV  
154 lb. /  
70 kg



Rated for DVD  
11 lb. /  
5 kg

Este manual esta disponible en español en la página de Tripp Lite: [tripplite.com](http://tripplite.com)

Ce manuel est disponible en français sur le site Web de Tripp Lite : [tripplite.com](http://tripplite.com)

Русскоязычная версия настоящего руководства представлена на веб-сайте компании Tripp Lite по адресу: [tripplite.com](http://tripplite.com)

Dieses Handbuch ist in deutscher Sprache auf der Tripp Lite-Website verfügbar: [tripplite.com](http://tripplite.com)

### WARRANTY REGISTRATION

Register your product today and be automatically entered to win an ISOBAR® surge protector in our monthly drawing!

[tripplite.com/warranty](http://tripplite.com/warranty)



# TRIPP·LITE



1111 W. 35th Street, Chicago, IL 60609 USA • [tripplite.com/support](http://tripplite.com/support)

Copyright © 2020 Tripp Lite. All rights reserved.

# Important Safety Instructions



- Read the entire instruction manual before you start assembly and installation. If you have questions about any of the instructions or warnings, contact Tripp Lite Support.
- Use with products heavier than the rated weights indicated may result in instability, causing possible injury.
- Mounts must be attached as specified in these instructions. Improper installation may result in damage or serious personal injury.
- Safety gear and proper tools must be used. This product should only be installed by professionals.
- Ensure the supporting surface will safely support the combined weight of the equipment and all attached hardware and components.
- Use the mounting screws provided and DO NOT OVERTIGHTEN the mounting screws.
- This product contains small items that could be a choking hazard if swallowed. Keep these items away from children.
- This product is intended for indoor use only. Using this product outdoors could lead to product failure and personal injury.
- Check that the bracket is secure and safe to use at regular intervals (at least every three months).

# Warranty and Product Registration

## 5-Year Limited Warranty

Seller warrants this product, if used in accordance with all applicable instructions, to be free from original defects in material and workmanship for a period of 5 years from the date of initial purchase. If the product should prove defective in material or workmanship within that period, Seller will repair or replace the product, at its sole discretion.

THIS WARRANTY DOES NOT APPLY TO NORMAL WEAR OR TO DAMAGE RESULTING FROM ACCIDENT, MISUSE, ABUSE OR NEGLIGENCE. SELLER MAKES NO EXPRESS WARRANTIES OTHER THAN THE WARRANTY EXPRESSLY SET FORTH HEREIN. EXCEPT TO THE EXTENT PROHIBITED BY APPLICABLE LAW, ALL IMPLIED WARRANTIES, INCLUDING ALL WARRANTIES OF MERCHANTABILITY OR FITNESS, ARE LIMITED IN DURATION TO THE WARRANTY PERIOD SET FORTH ABOVE; AND THIS WARRANTY EXPRESSLY EXCLUDES ALL INCIDENTAL AND CONSEQUENTIAL DAMAGES. (Some states do not allow limitations on how long an implied warranty lasts, and some states do not allow the exclusion or limitation of incidental or consequential damages, so the above limitations or exclusions may not apply to you. This warranty gives you specific legal rights, and you may have other rights which vary from jurisdiction to jurisdiction.)

WARNING: The individual user should take care to determine prior to use whether this device is suitable, adequate or safe for the use intended. Since individual applications are subject to great variation, the manufacturer makes no representation or warranty as to the suitability or fitness of these devices for any specific application.

## PRODUCT REGISTRATION

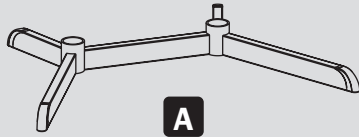
Visit [triplite.com/warranty](http://triplite.com/warranty) today to register your new Tripp Lite product. You'll be automatically entered into a drawing for a chance to win a FREE Tripp Lite product!\*

\* No purchase necessary. Void where prohibited. Some restrictions apply. See website for details.

Tripp Lite has a policy of continuous improvement. Specifications are subject to change without notice. Images may differ slightly from actual products.

# Parts List

**IMPORTANT:** Before beginning installation, be sure you have received all the parts listed below. If any parts are missing or faulty, contact Tripp Lite for replacements.



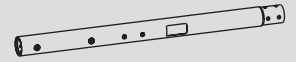
**A**  
Base  
(x1)



**B**  
Caster  
(x4)



**C**  
Base Column  
(x2)



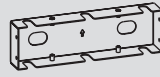
**D**  
Upper Column  
(x2)



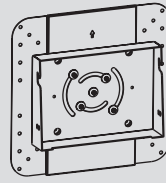
**E**  
Equipment Shelf  
(x1)



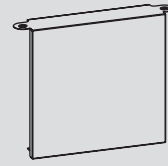
**F**  
Shelf Mounting  
Bracket  
(x2)



**G**  
Front Cover  
(x1)



**H**  
Mounting Plate  
(x1)



**I**  
Rear Cover  
(x1)



**J**  
VESA Extension  
Adapter Arm  
(x2)



**K**  
VESA Extension Adapter Arm  
(x2)



**L**  
Cable Cover  
(x4)

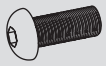


**R**  
Cable Clip Holder  
(x5)



**S**  
Cable Clip  
(x5)

## Package P



**M**  
M8 x 20  
(x8)



**N**  
M6 x 8  
(x8)



**O**  
M6 x 12  
(x16)



**P**  
M6 x 18  
(x1)



**Q**  
M8 x 8  
(x8)



**T**  
M6 Wrench  
(x1)



**U**  
M10 Wrench  
(x1)



**V**  
4mm Hex Key  
(x1)

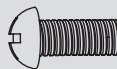


**W**  
5mm Hex Key  
(x1)

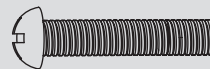
## Package M



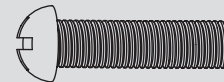
**M-A**  
M5 x 14  
(x4)



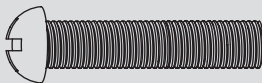
**M-B**  
M6 x 14  
(x4)



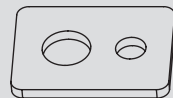
**M-C**  
M6 x 30  
(x4)



**M-D**  
M8 x 30  
(x4)



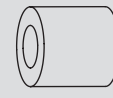
**M-E**  
M8 x 50  
(x4)



**M-F**  
Washer  
(x4)

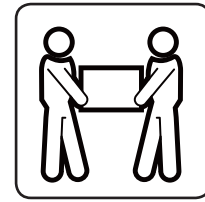
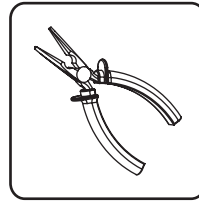
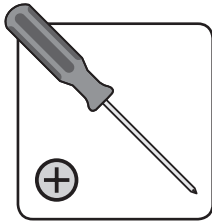


**M-G**  
Small Spacer  
(x8)



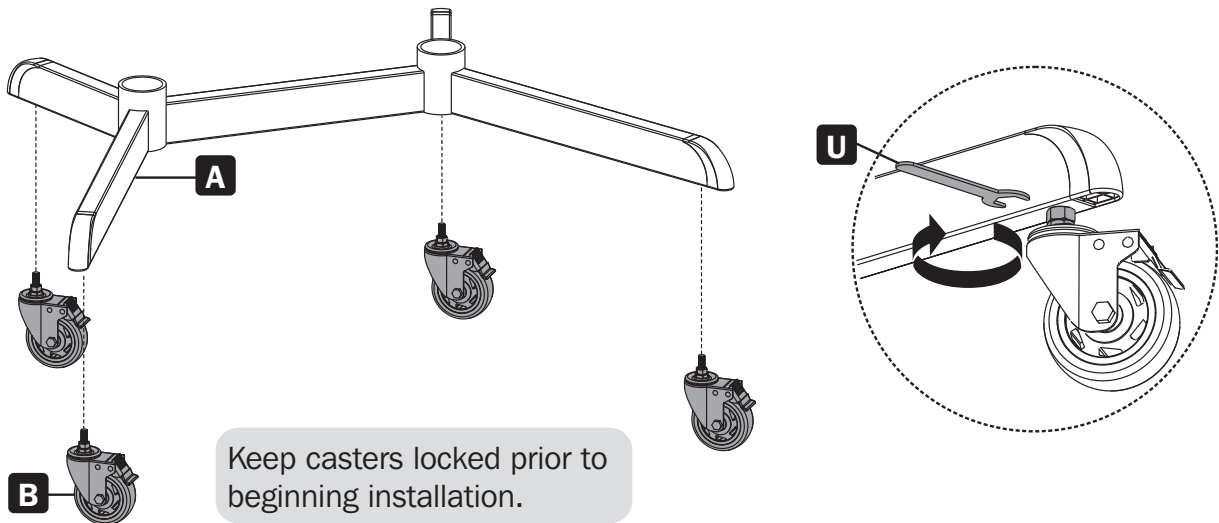
**M-H**  
Big Spacer  
(x8)

# Required for Installation



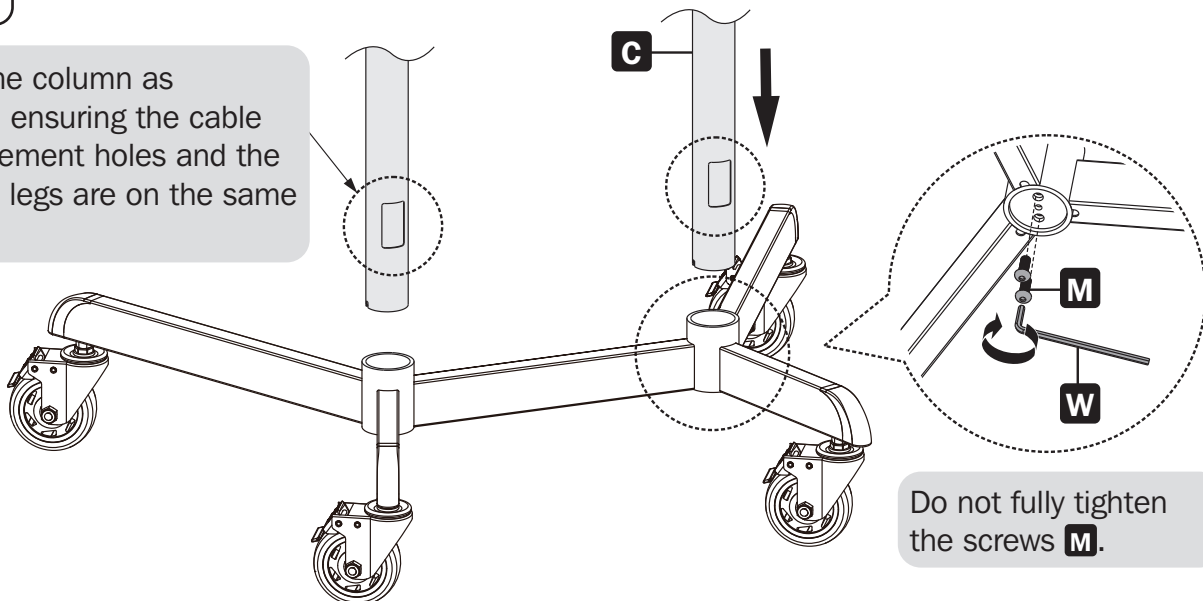
# Assembly and Installation

## 1 Installing the Wheel Casters



## 2 Attaching the Columns to the Base

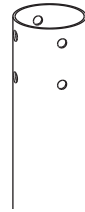
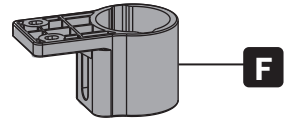
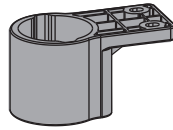
Align the column as shown, ensuring the cable management holes and the shorter legs are on the same side.



# Assembly and Installation

**3**

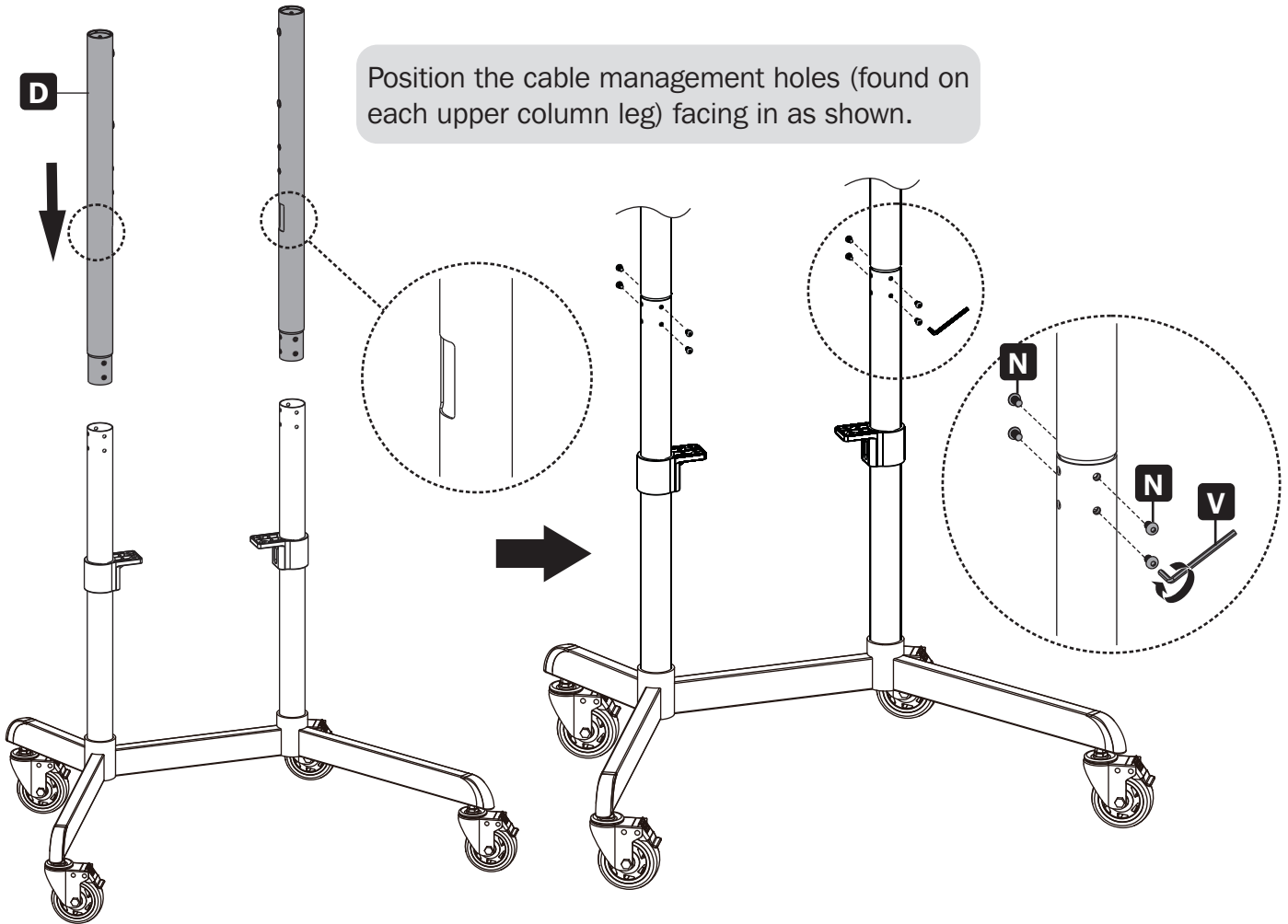
**Installing the Columns**



**D**



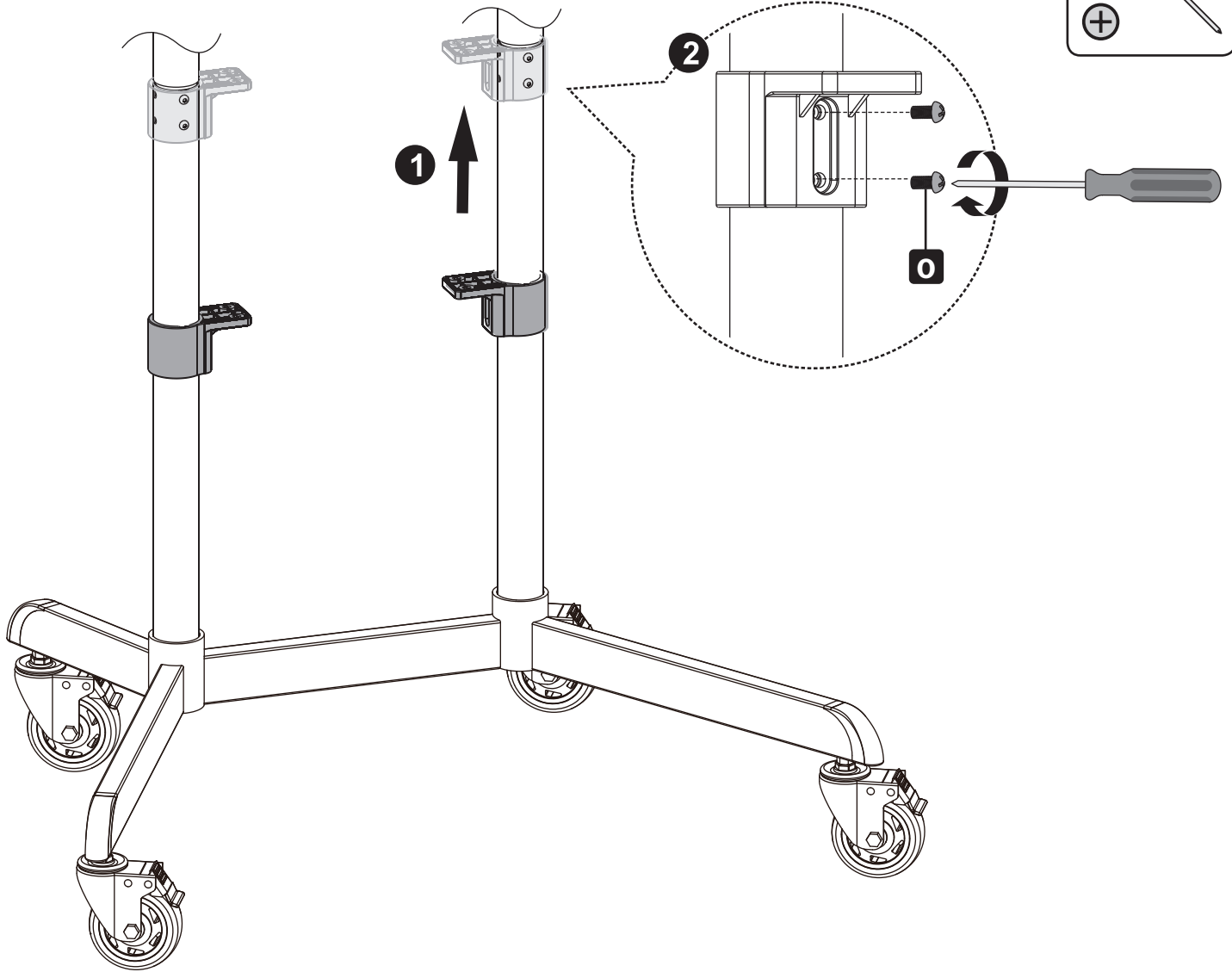
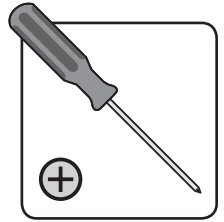
Position the cable management holes (found on each upper column leg) facing in as shown.



# Assembly and Installation

**4**

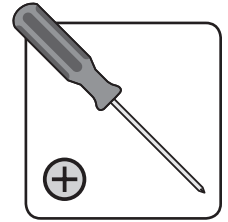
**Installing the Shelf Mounting Brackets**



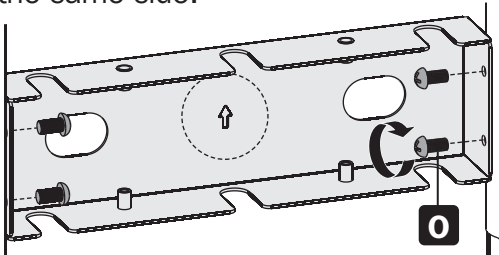
# Assembly and Installation

## 5

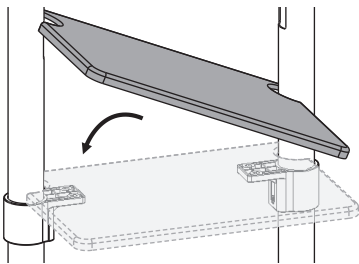
### Installing the Front Cover and Equipment Shelf



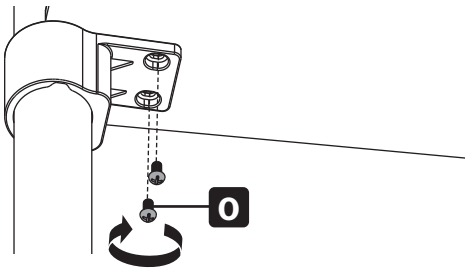
- 1 Position **G** as indicated, ensuring the front of **G** and the longer legs are on the same side.



- 2 Make sure **E** and the shorter legs are on the same side.



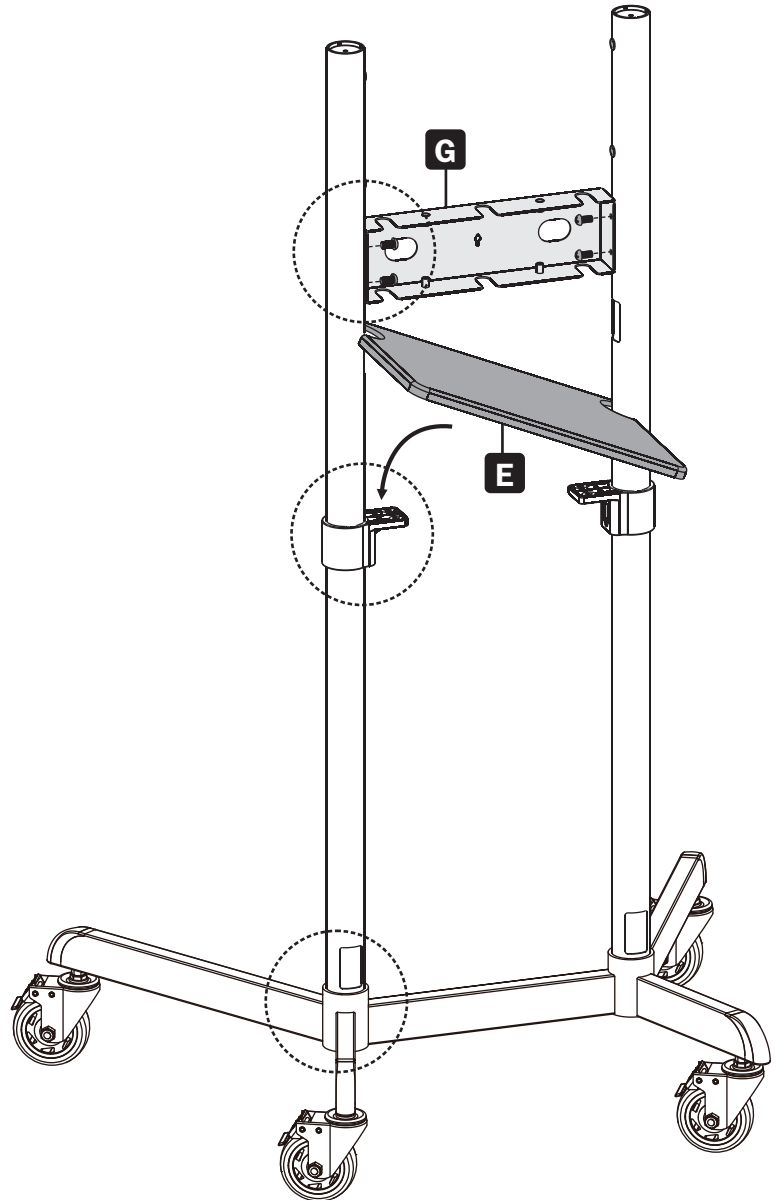
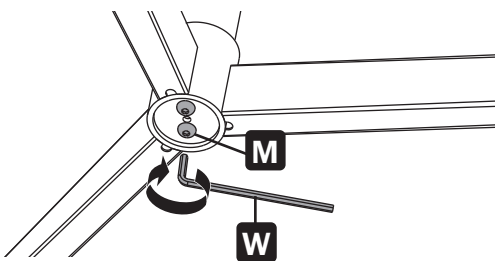
3



4



**CAUTION:** Fully tighten the screws **M** under the base.

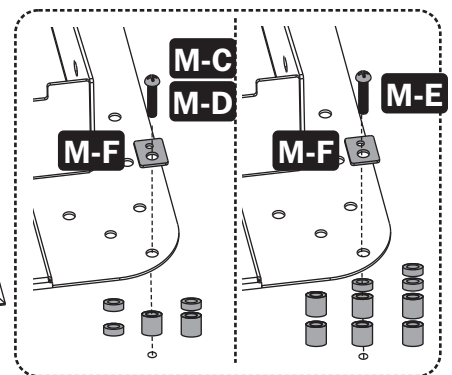
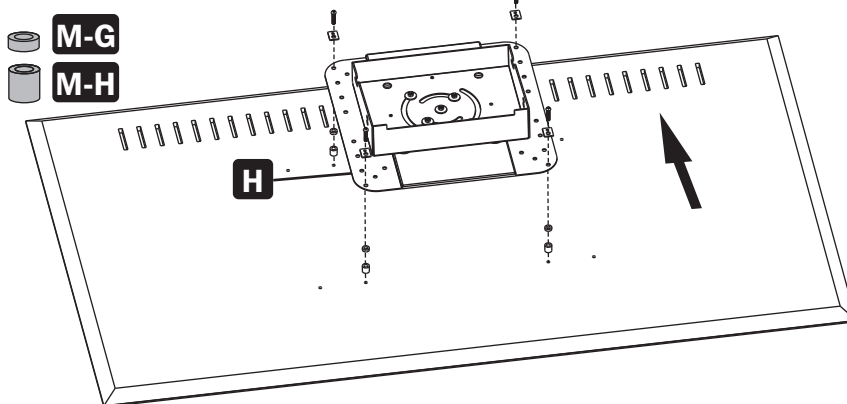
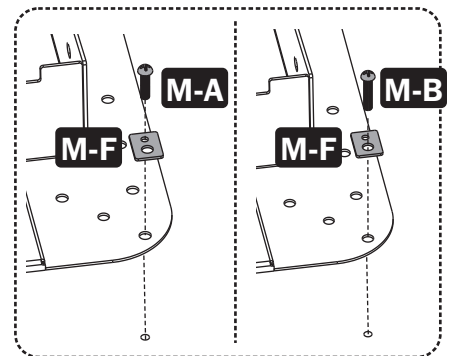
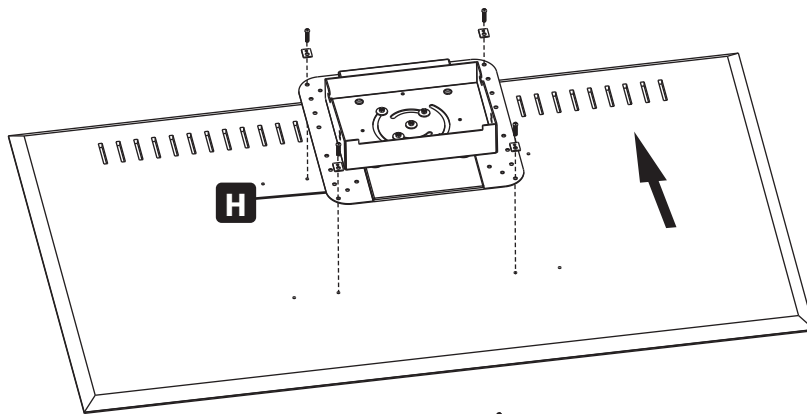
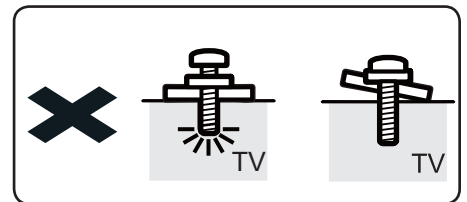
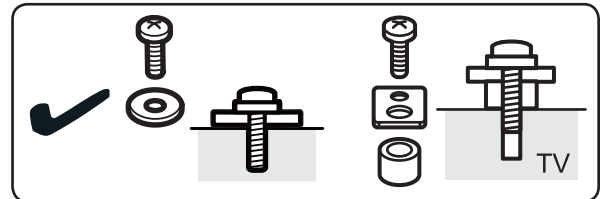
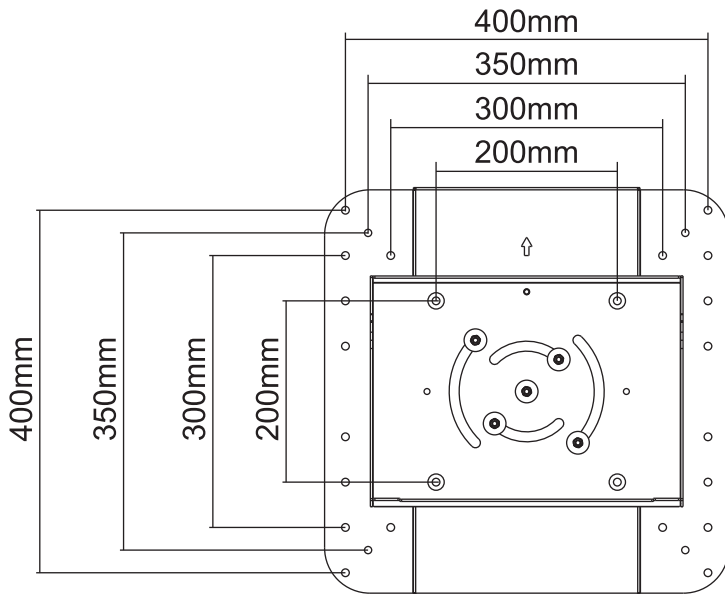
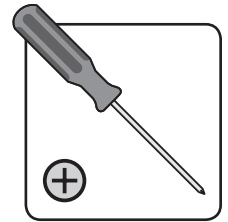


# Assembly and Installation

## 6A

### Attaching the Mounting Plate to the Display

VESA 200x200 / 300x300 / 350x350 / 400x200/ 400x400



**Note:** Choose the appropriate screws, washers and spacers (if necessary) according to the type of screen.

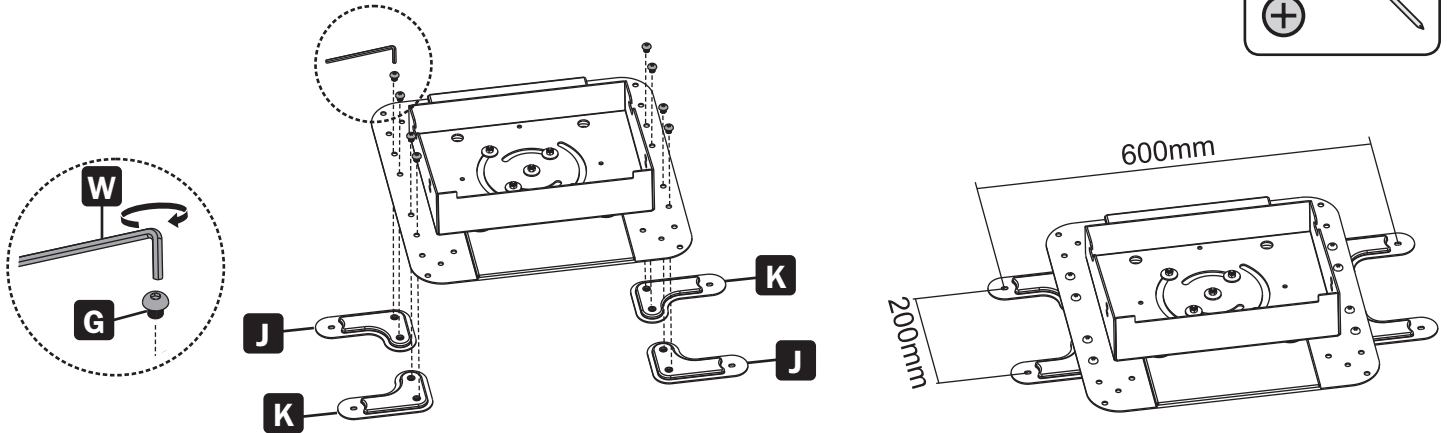
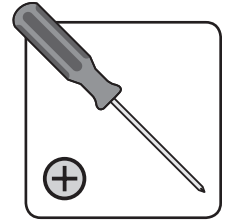


# Assembly and Installation

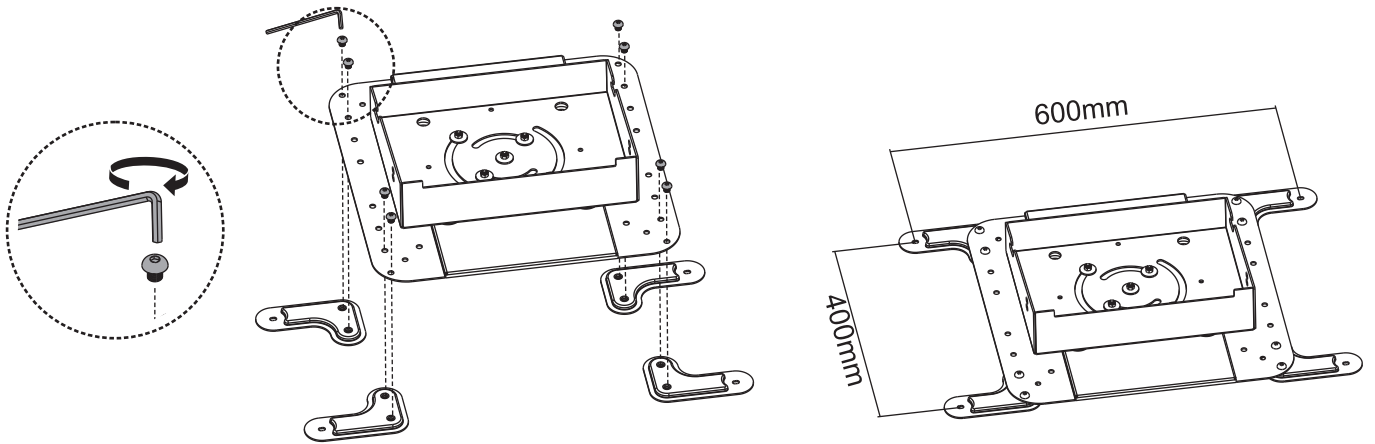
**6B**

## 6B-1: Installing the VESA Extension Adapter Arms

VESA 600 x 200



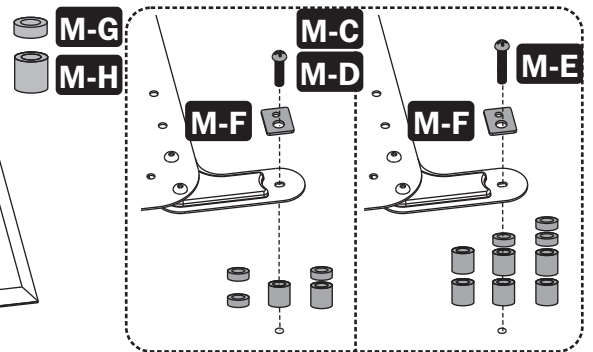
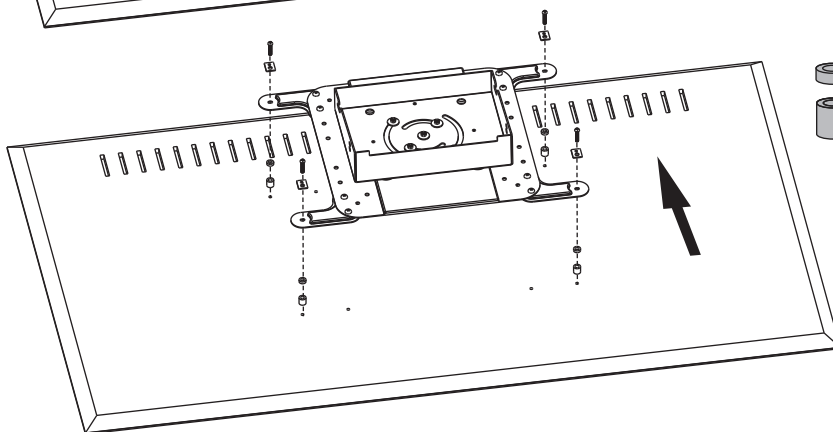
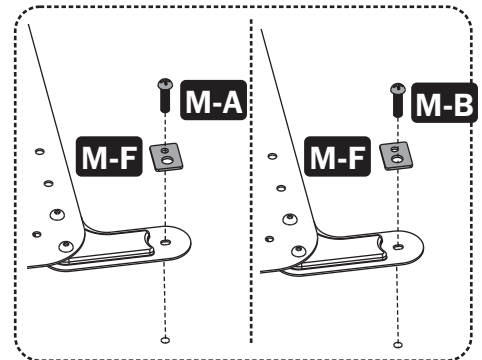
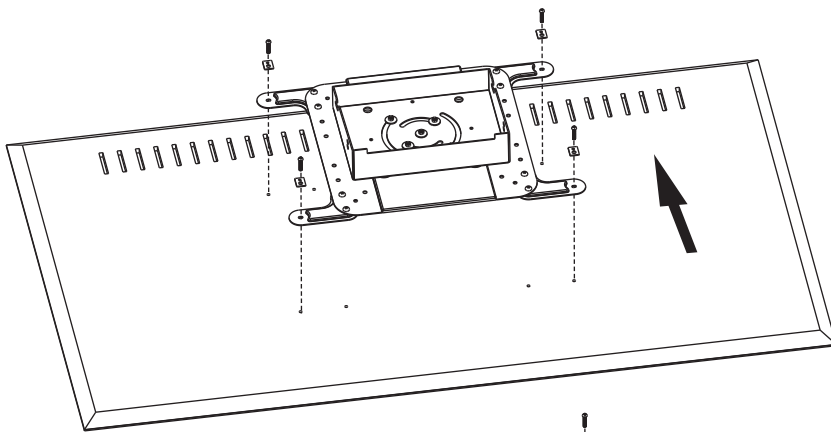
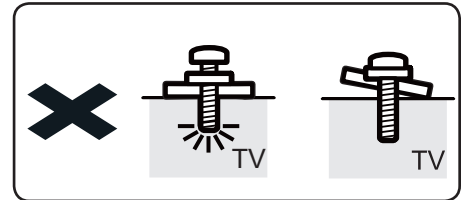
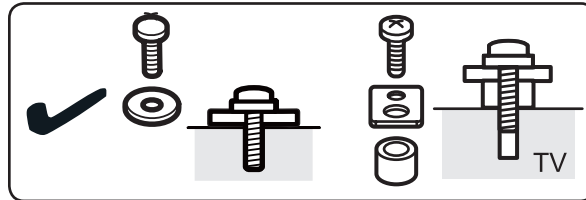
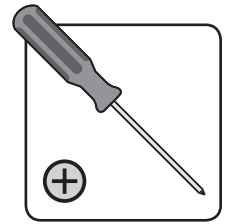
VESA 600 x 400



# Assembly and Installation

## 6B

### 6B-2: Attaching the Mounting Plate to the Display

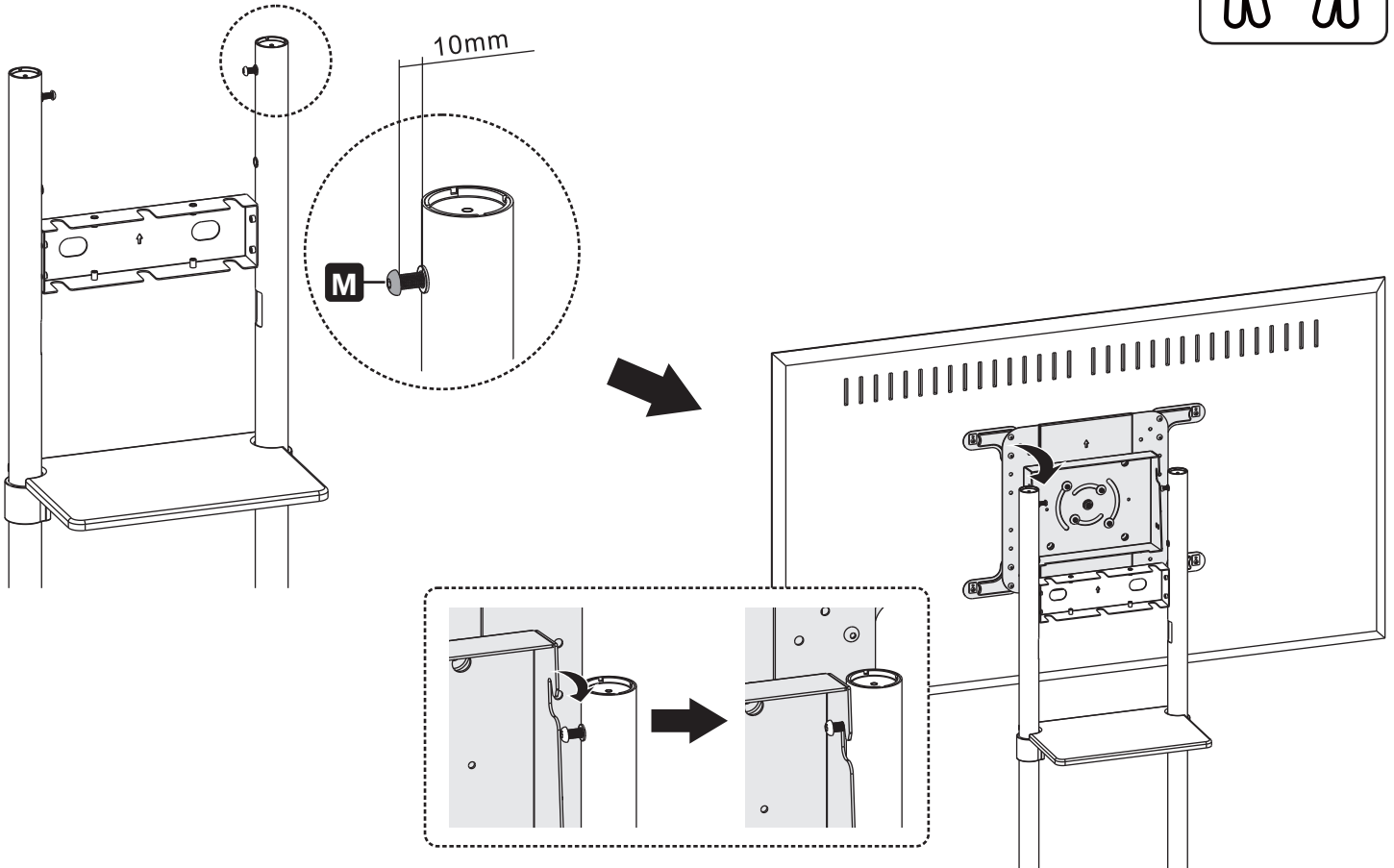
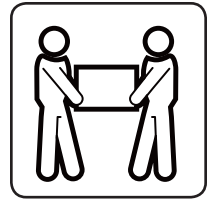


**Note:** Choose the appropriate screws, washers and spacers (if necessary) according to the type of screen.

# Assembly and Installation

7

## Mounting the Display onto the Screws

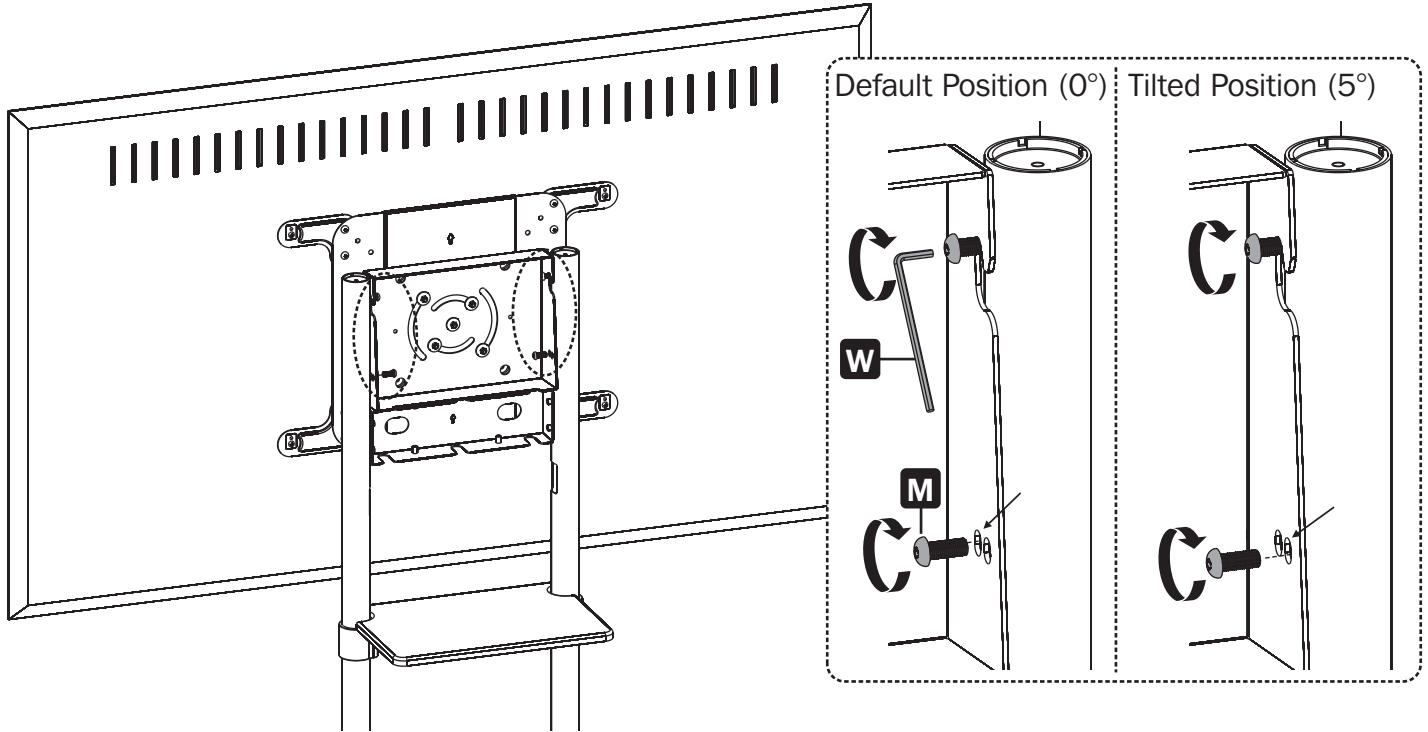


**CAUTION:** Adjust the columns to the desired height before installing the display. To adjust the height of the columns after the display is installed, remove the equipment shelf before adjusting the columns to the desired height.

# Assembly and Installation

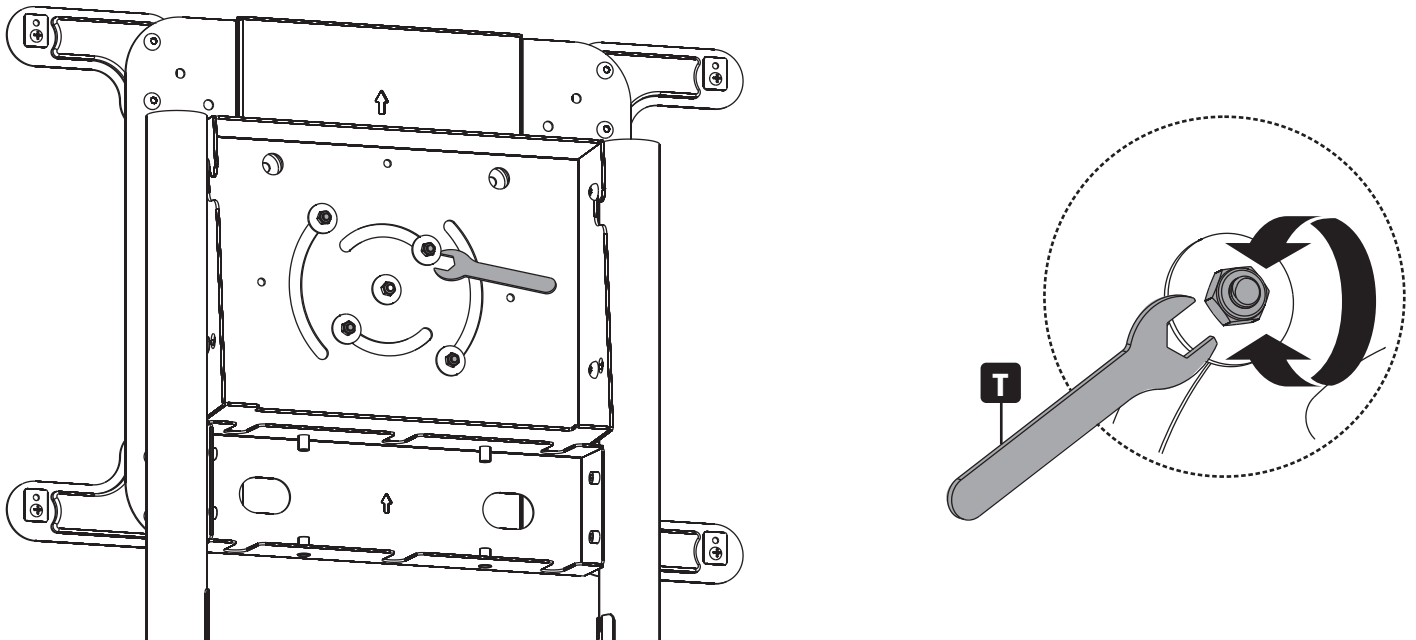
8

Adjusting the Tilting Angle of the Display



9

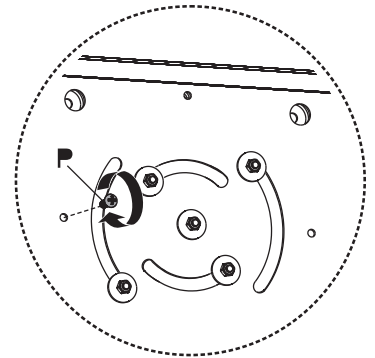
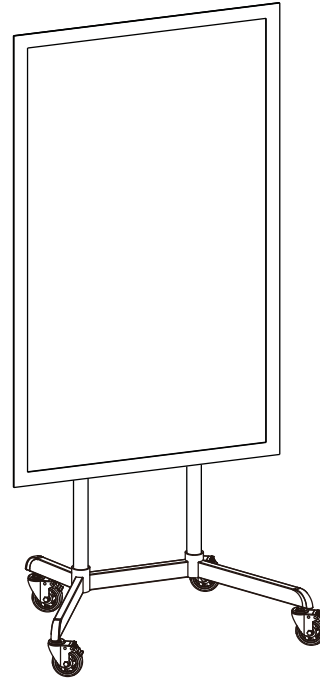
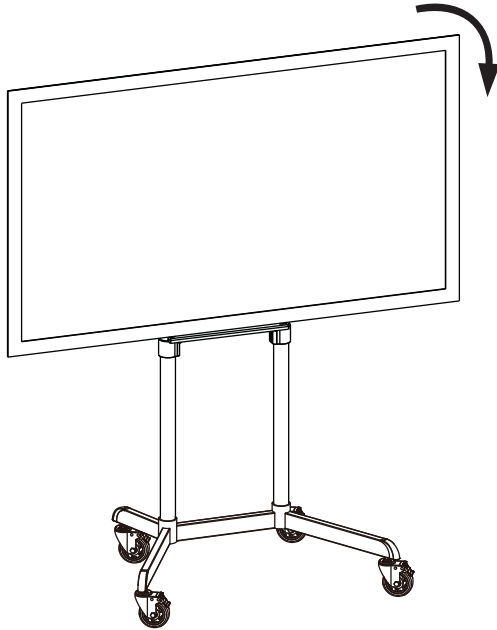
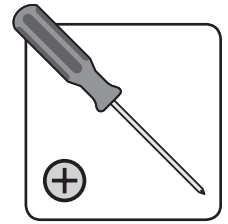
Adjusting the Rear Bolts Securely



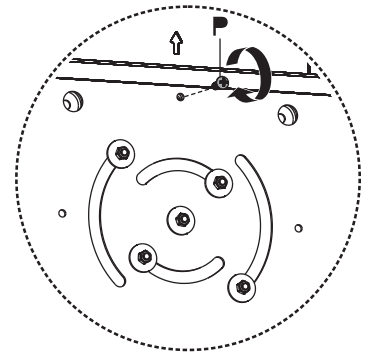
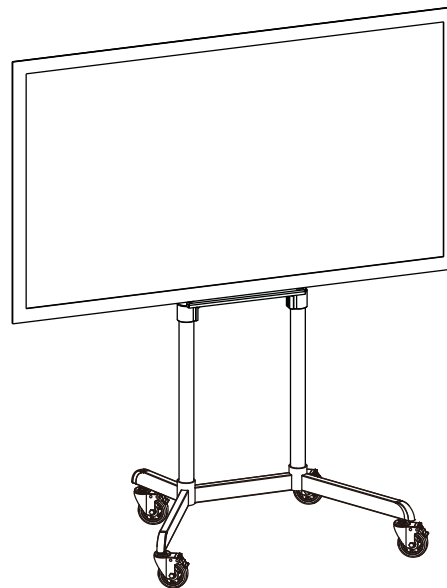
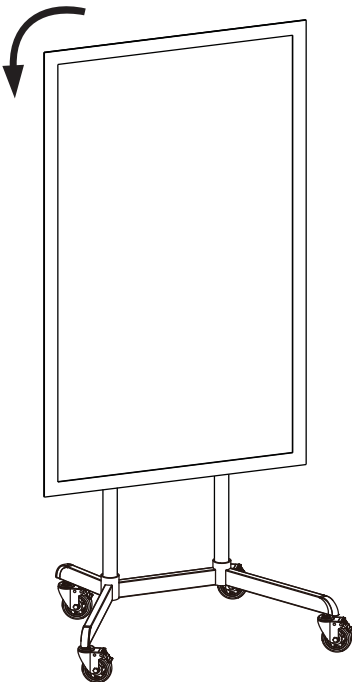
# Assembly and Installation

**10**

**Fixing the Display in Landscape / Portrait Position (Optional)**



Tighten the screw to fix the display.

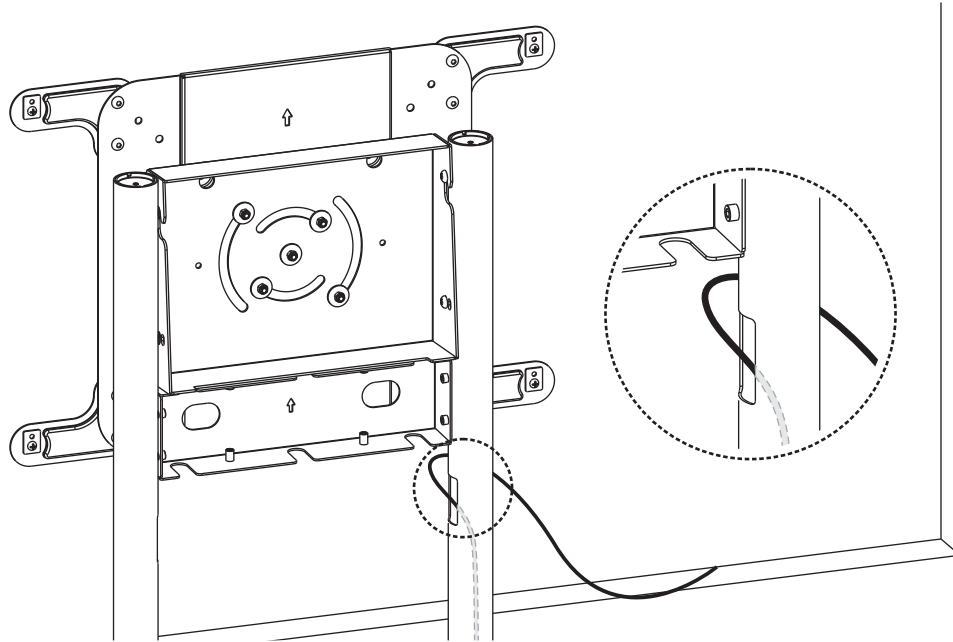


Tighten the screw to fix the display.

# Assembly and Installation

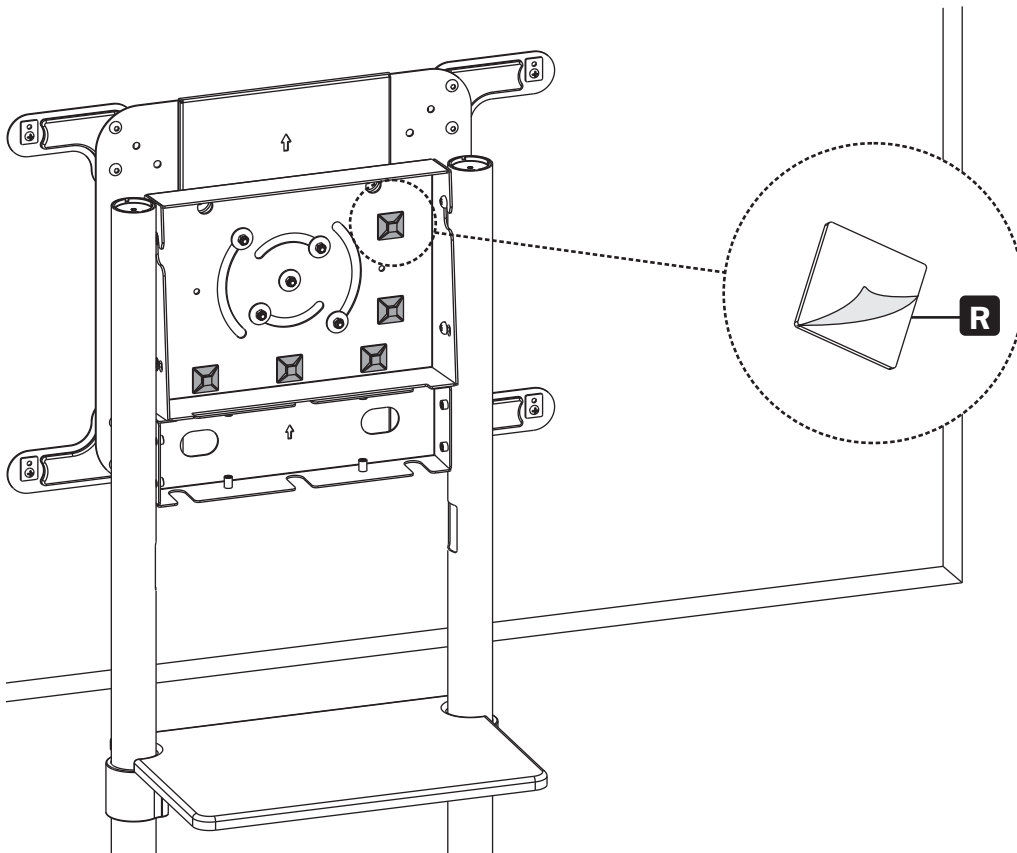
## 11A

### Routing the Cables



## 11B

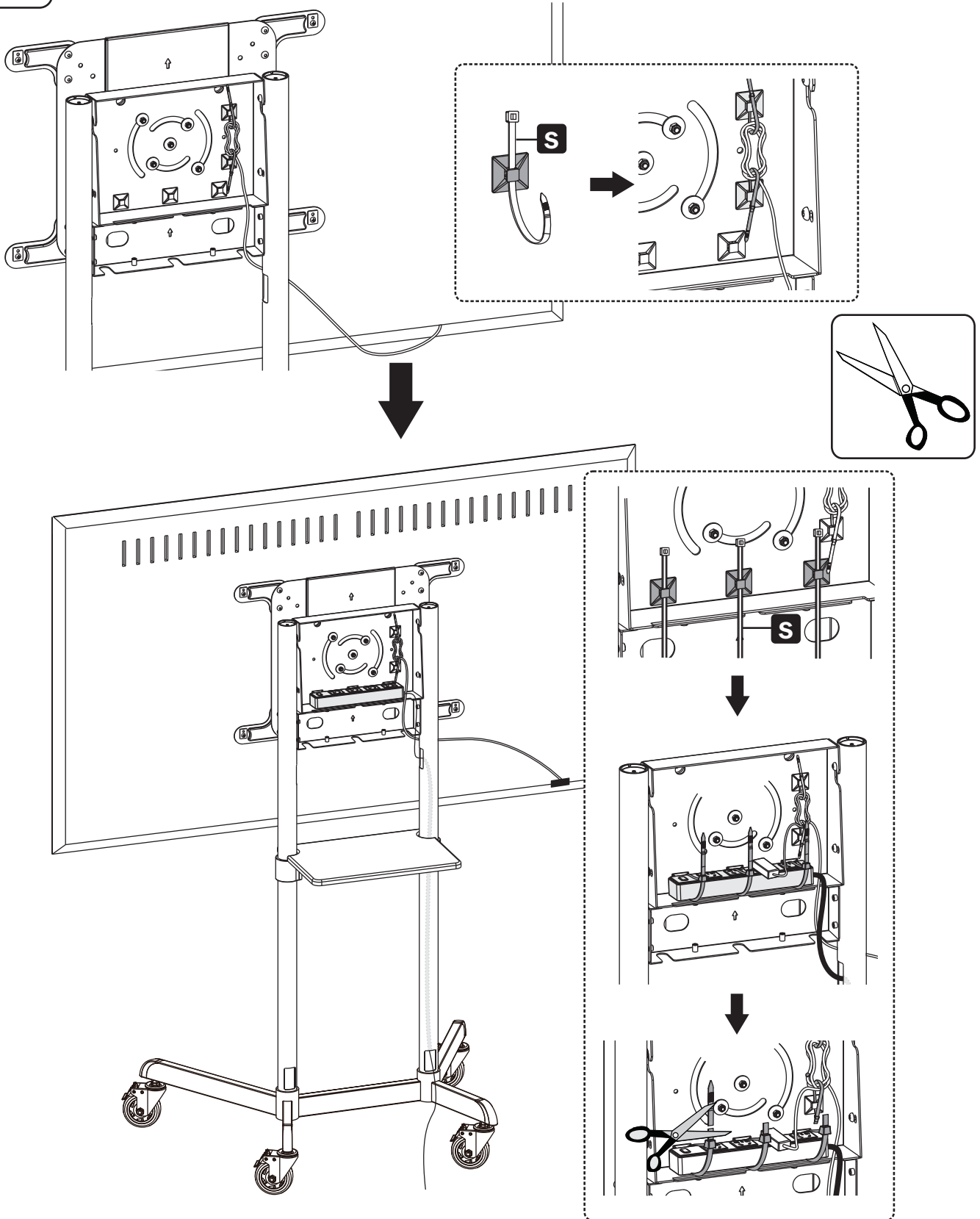
### 11B-1: Attaching the Cable Clip Holders



# Assembly and Installation

## 11B

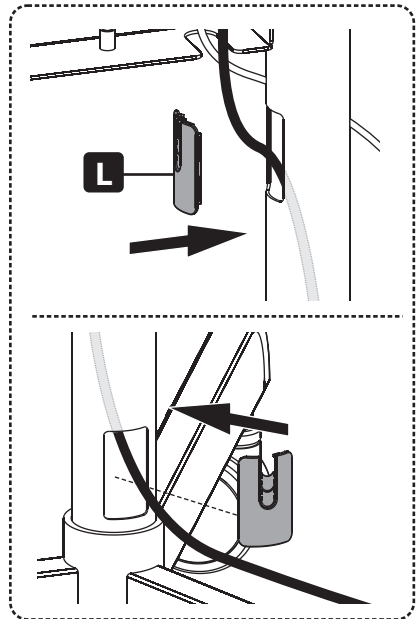
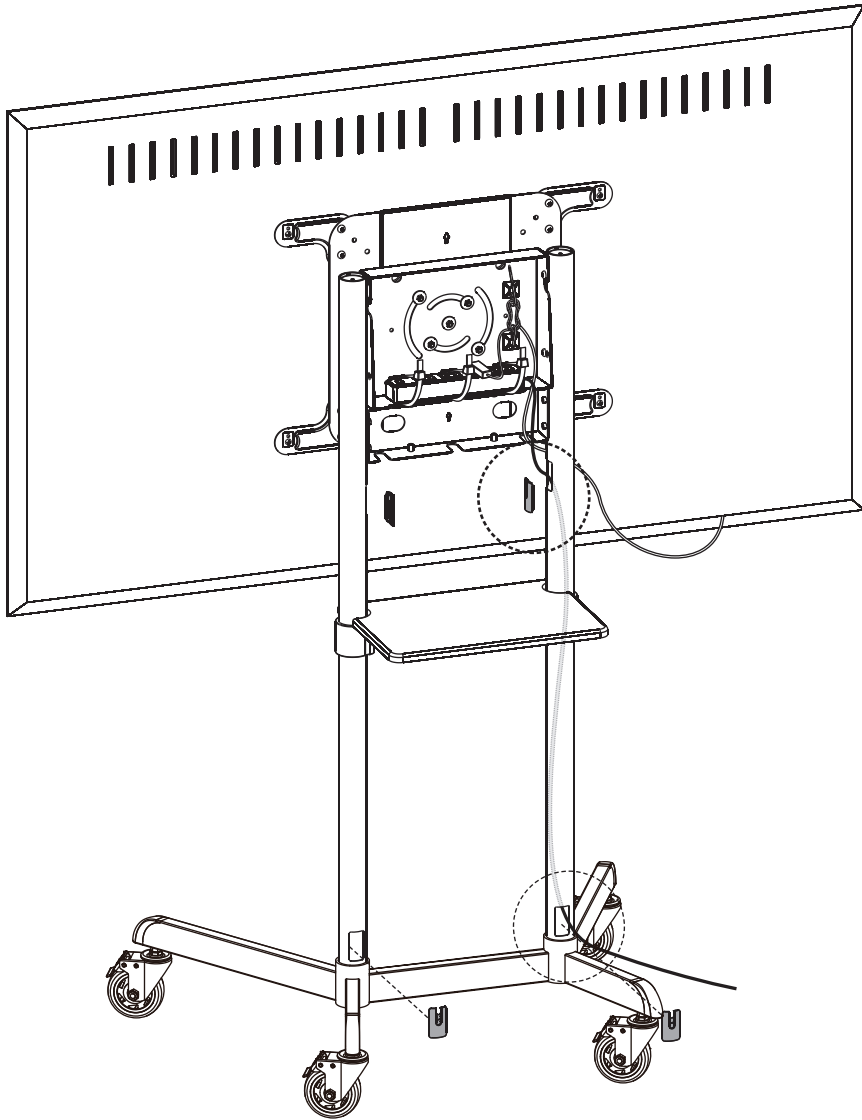
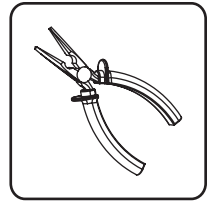
### 11B-2: Routing Cables through the Cable Clips



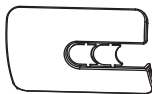
# Assembly and Installation

## 12

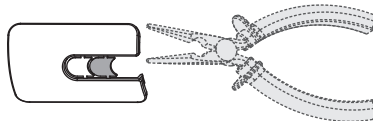
### Attaching the Cable Covers



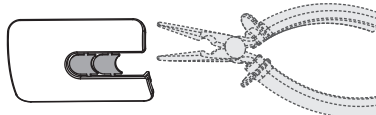
2a



2b



2c

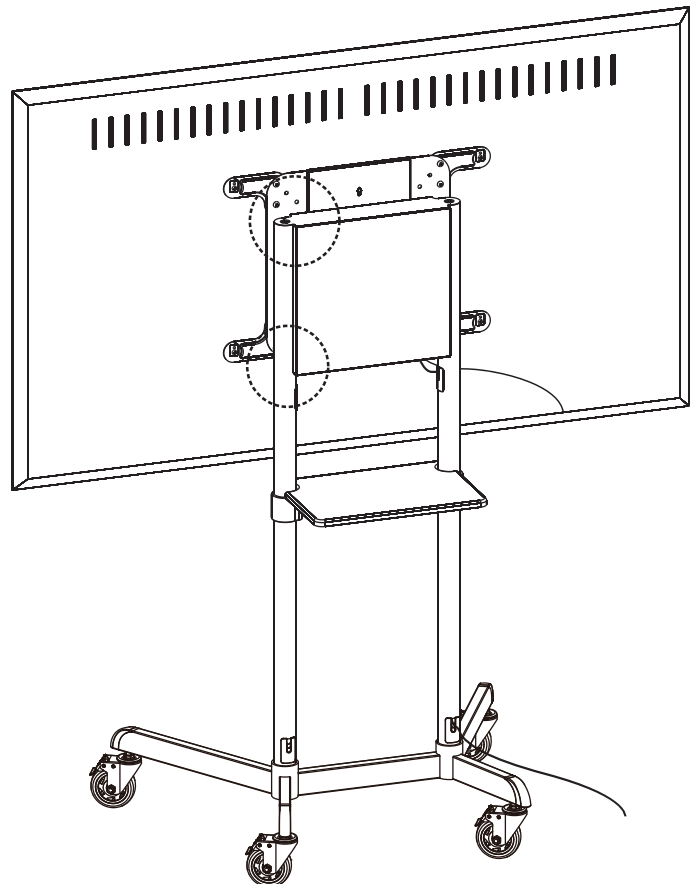
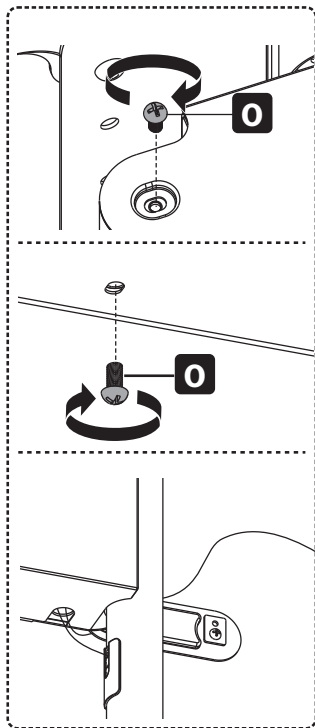
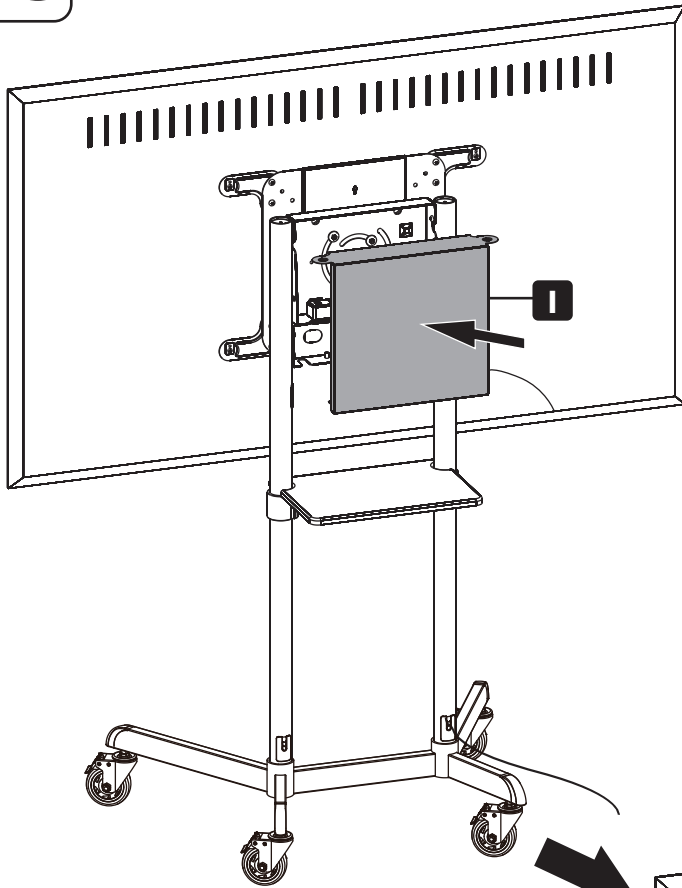
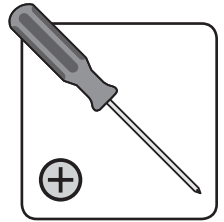




# Assembly and Installation

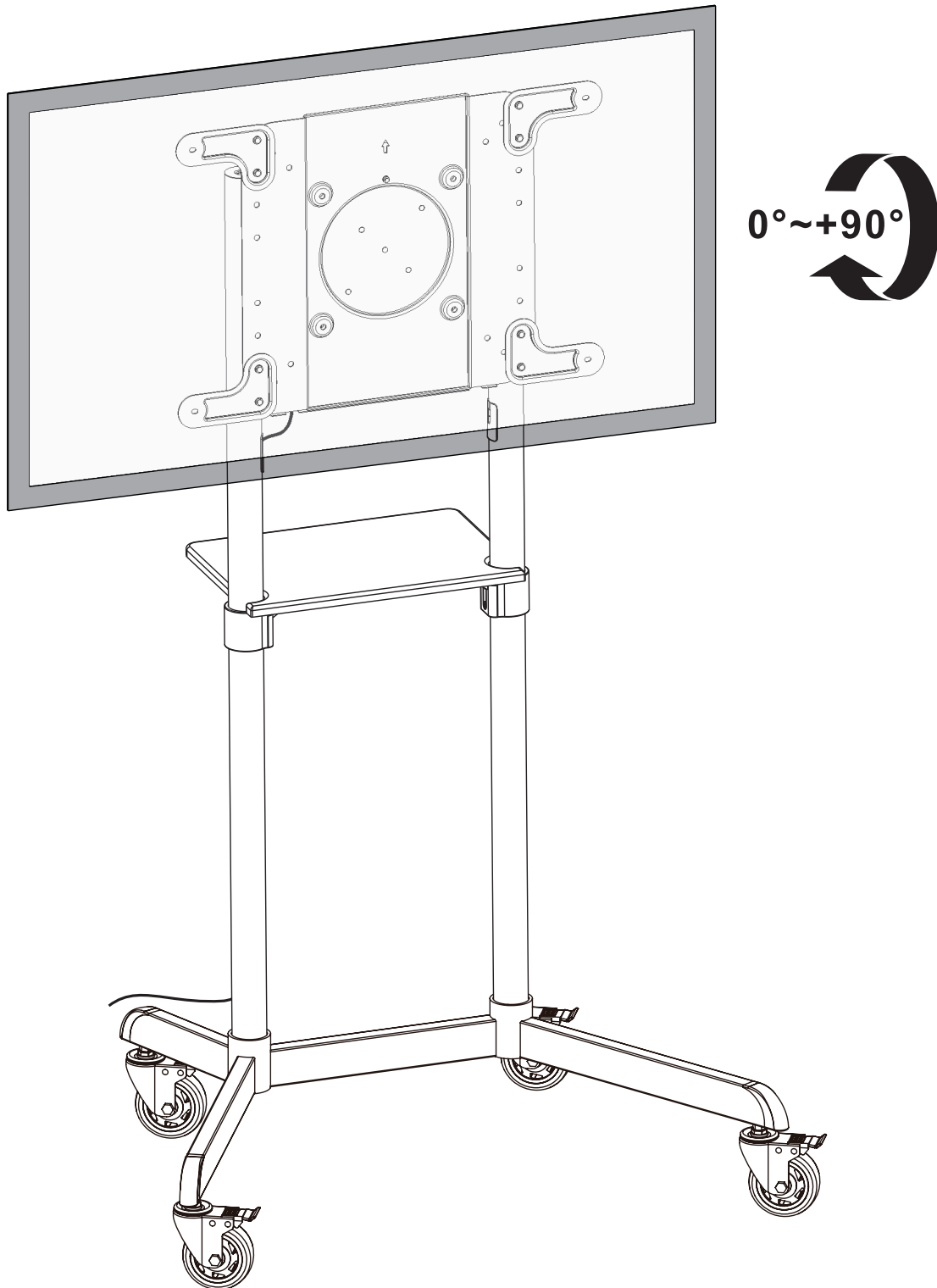
**13**

Attaching the Rear Cover



## Assembly and Installation

14



### Maintenance

- Check at regular intervals (at least every three months) to be sure the bracket remains secure and safe to use.
- Please visit [tripplite.com/support](http://tripplite.com/support) if you have any questions.





1111 W. 35th Street, Chicago, IL 60609 USA • [triplite.com/support](http://triplite.com/support)