

Quick Start Guide

4-Port USB-C Hub with Laptop Stand and 100W PD Charging

Model: U460-ST4-4A-C

Este manual está disponible en español en la página de Tripp Lite: tripplite.com/support

Ce manuel est disponible en français sur le site Web de Tripp Lite : tripplite.com/support

Русскоязычная версия настоящего руководства представлена на веб-сайте компании Tripp Lite по адресу: tripplite.com/support

Dieses Handbuch ist in deutscher Sprache auf der Tripp Lite-Website verfügbar: tripplite.com/support

WARRANTY REGISTRATION

Register your product today and be automatically entered to win an ISOBAR® surge protector in our monthly drawing!

tripplite.com/warranty

The logo for Tripp Lite, featuring the brand name in a bold, italicized, sans-serif font. The text is contained within a stylized graphic of two horizontal lines that curve upwards at the ends, resembling a bridge or a protective shield.

1111 W. 35th Street, Chicago, IL 60609 USA
tripplite.com/support

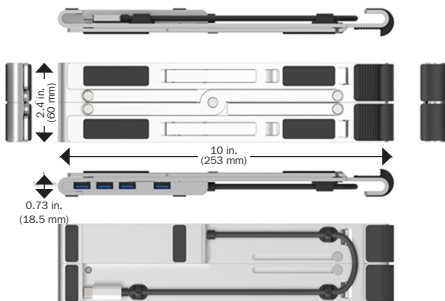
Copyright © 2021 Tripp Lite. All rights reserved. USB Type-C® and USB-C® are registered trademarks of USB Implementers Forum.

Package Contents

- U460-ST4-4A-C 4-Port USB-C Hub with Laptop Stand
- Quick Start Guide

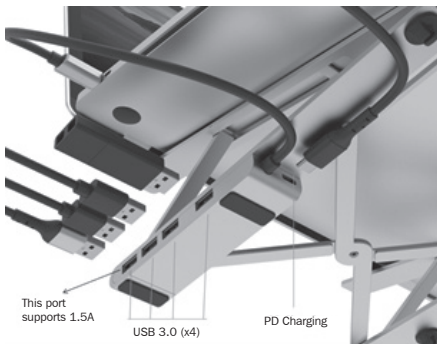
Product Diagram

Adjustable, foldable U460-ST4-4A-C combines a 4-port USB hub and a portable laptop stand to create a mobile workstation for work-from-anywhere users.



Product Features

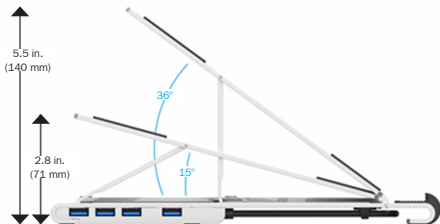
- Adds 4 USB-A ports and one USB-C PD Charging 3.0 port to your laptop's USB-C port



- Supports USB 3.2 Gen 1 data transfer speeds up to 5 Gbps
- USB-C PD Charging 3.0 port supports 20V 5A (100W) power output and Fast Role Swap for charging host device (85W for charging and 15W to power the device)
- 4 USB-A ports share 15W maximum power (one supports 1.5A max for downstream charging)

Product Features

- Allows your choice of 5 different viewing angles from 15° to 36°



- Cable wraps neatly beneath the hub for convenient uncluttered storage when not in use



Product Features

- Hub folds neatly into a compact unit for convenient storage; easily unfolds quickly for immediate use



- Bottom bracket design helps create a more ergonomic workspace that accommodates your personal comfort level



Specifications

Input/Output	
Input	USB-C (Male)
Output	(4x) USB-A (Female) USB-C PD Charging (Female)
USB Version	USB 3.2 Gen 1 (5 Gbps)
PD Charging	100W PD Charging (85W for charging, 15W for powering peripherals [4 USB-A ports]).
Environmental	
Operating Temperature Range	32° to 113°F (0° to 45°C)
Storage Temperature Range	32° to 158°F (0° to 70°C)
Relative Humidity Range	10 to 90% RH, Non-Condensing
Warranty	
Limited Warranty	1 Year
Regulatory Approvals	
Certifications	FCC, CE, ICES, RoHS, REACH

Warranty and Product Registration

1-Year Limited Warranty

Seller warrants this product, if used in accordance with all applicable instructions, to be free from original defects in material and workmanship for a period of one (1) year from the date of initial purchase. If the product should prove defective in material or workmanship within that period, Seller will repair or replace the product, at its sole discretion.

THIS WARRANTY DOES NOT APPLY TO NORMAL WEAR OR TO DAMAGE RESULTING FROM ACCIDENT, MISUSE, ABUSE OR NEGLIGENCE. SELLER MAKES NO EXPRESS WARRANTIES OTHER THAN THE WARRANTY EXPRESSLY SET FORTH HEREIN. EXCEPT TO THE EXTENT PROHIBITED BY APPLICABLE LAW, ALL IMPLIED WARRANTIES, INCLUDING ALL WARRANTIES OF MERCHANTABILITY OR FITNESS, ARE LIMITED IN DURATION TO THE WARRANTY PERIOD SET FORTH ABOVE; AND THIS WARRANTY EXPRESSLY EXCLUDES ALL INCIDENTAL AND CONSEQUENTIAL DAMAGES. (Some states do not allow limitations on how long an implied warranty lasts, and some states do not allow the exclusion or limitation of incidental or consequential damages, so the above limitations or exclusions may not apply to you. This warranty gives you specific legal rights, and you may have other rights which vary from jurisdiction to jurisdiction.)

WARNING: The individual user should take care to determine prior to use whether this device is suitable, adequate or safe for the use intended. Since individual applications are subject to great variation, the manufacturer makes no representation or warranty as to the suitability or fitness of these devices for any specific application.

PRODUCT REGISTRATION

Visit triplite.com/warranty today to register your new Tripp Lite product. You'll be automatically entered into a drawing for a chance to win a FREE Tripp Lite product!*

*No purchase necessary. Void where prohibited. Some restrictions apply. See website for details.

WEEE Compliance Information for Tripp Lite Customers and Recyclers (European Union)

Under the Waste Electrical and Electronic Equipment (WEEE) Directive and implementing regulations, when customers buy new electrical and electronic equipment from Tripp Lite, they are entitled to:



- Send old equipment for recycling on a one-for-one, like-for-like basis (this varies depending on the country)
 - Send the new equipment back for recycling when this ultimately becomes waste
- Use of this equipment in life support applications where failure of this equipment can reasonably be expected to cause the failure of the life support equipment or to significantly affect its safety or effectiveness is not recommended.

Tripp Lite has a policy of continuous improvement. Specifications are subject to change without notice. Photos and illustrations may differ slightly from actual products.



1111 W. 35th Street, Chicago, IL 60609 USA
triplite.com/support

8

21-12-010 • 93-3E28_RevB