

Owner's Manual

14U SmartRack® Enclosure

Model: SR14UBDP

(Series Number: AG-037D)

Important Safety Instructions	2
Overview	2
Feature Identification	3
Enclosure Installation	4
Preparation	4
Unpacking	4
Placement	5
Leveling	6
Ground Connection	6
Enclosure Configuration	7
Adding or Removing Front and Rear Doors	7
Reversing Front and Rear Doors	7
Adding or Removing Roof Panel	9
Adding or Removing Side Panels	9
Adjusting Mounting Rails and Cable Management Rails	10
Equipment Installation	11
Installing or Removing Cage Nuts	11
Specifications	12
Storage and Service	12
Warranty and Product Registration	12
Español	13
Français	25
Русский	37

WARRANTY REGISTRATION

Register your product today and be automatically entered to win an ISOBAR® surge protector in our monthly drawing!



tripplite.com/warranty



1111 W. 35th Street, Chicago, IL 60609 USA • tripplite.com/support

Copyright © 2022 Tripp Lite. All trademarks are the sole property of their respective owners.

Important Safety Instructions



SAVE THESE INSTRUCTIONS

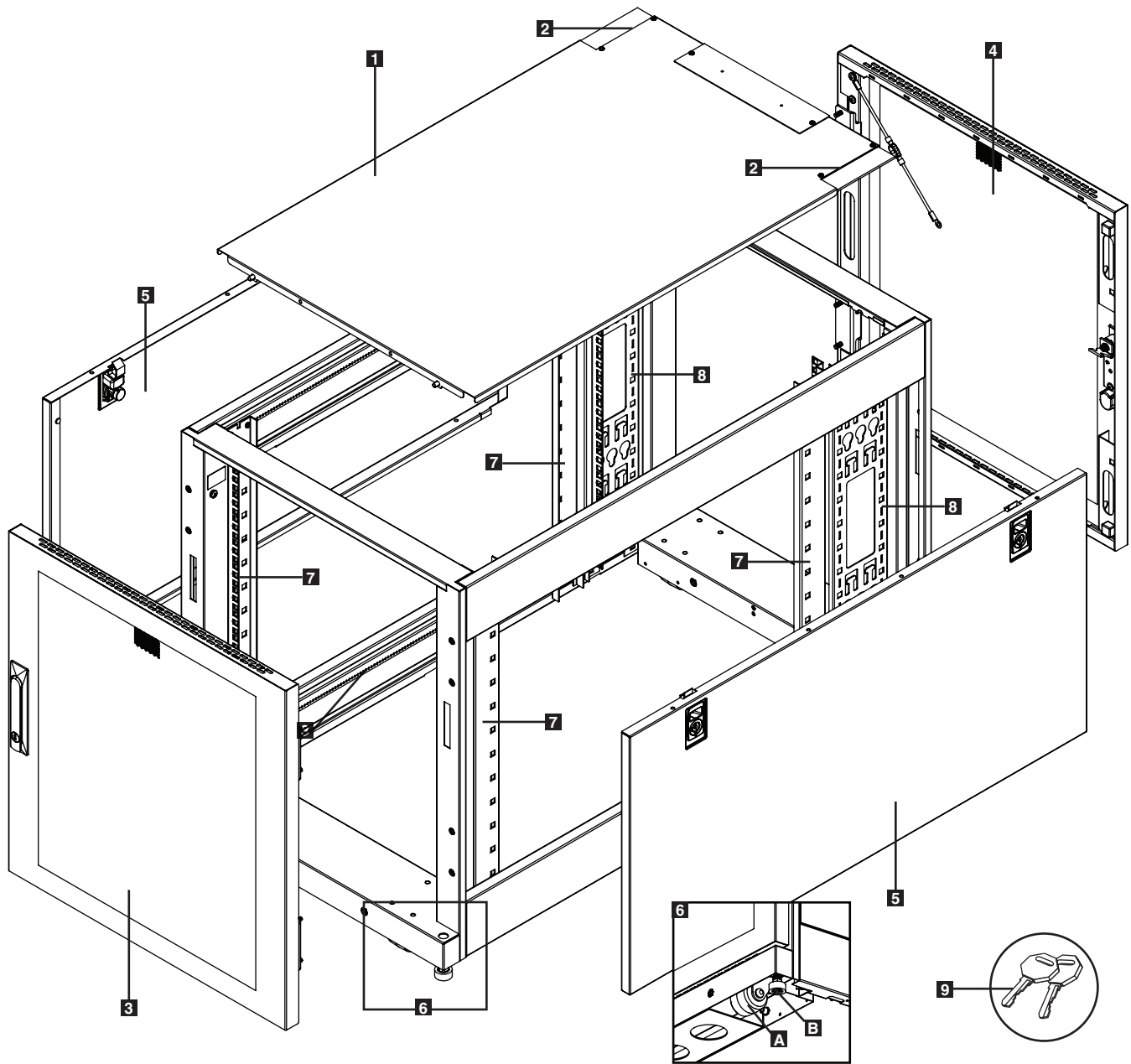
All sections of this manual contain instructions and warnings that should be followed during the installation and use of the SmartRack Enclosures described in this manual. Read all instructions and warnings thoroughly before attempting to move, install or use the SmartRack Enclosures described in this manual. Failure to comply will create a risk of personal injury and property damage and may invalidate the warranty.

- Keep the enclosure in a controlled indoor environment, away from moisture, temperature extremes, flammable liquids and gasses, conductive contaminants, dust and direct sunlight.
- Leave adequate space at the front and rear of the enclosure for proper ventilation. Do not block, cover or insert objects into the external ventilation openings of the enclosure.
- The enclosure is extremely heavy. Use caution when handling the enclosure. Do not attempt to unpack, move or install it unassisted. Use a mechanical device such as a forklift or pallet jack to move the enclosure in the shipping container.
- Do not place any object on the enclosure, especially containers of liquid, and do not attempt to stack the enclosures.
- Inspect the shipping container and the enclosure for shipping damage. Do not use the enclosure if it is damaged.
- Leave the enclosure in the shipping container until it has been moved as close to the final installation location as possible. The casters are designed for minor position adjustments within the final installation area only. The casters are not designed for moving the enclosure over longer distances.
- The casters are not designed to provide long-term support for the enclosure after final installation. Use the levelers to provide long-term support.
- Install the enclosure in a structurally sound area with a level floor that is able to bear the weight of the enclosure, all equipment that will be installed in the enclosure and any other enclosures and/or equipment that will be installed nearby.
- Install the cabinet securely to the building structure, using the shipping brackets as illustrated in the **Enclosure Installation** section of this manual.
- Do not push the enclosure from the side panels to move it. Pushing from the side panels will cause a tipping hazard.
- When rolling the enclosure on its casters, always push it from behind, never pull it toward you.
- A rolling enclosure can cause personal injury and property damage if not properly supervised. If rolling the enclosure down a ramp is required, use extreme caution. Do not attempt to use ramps that have a slope steeper than 1:12.
- Use caution when cutting packing materials. The enclosure could be scratched, causing damage not covered by the warranty.
- Save all packing materials for later use. Repacking and shipping the enclosure without the original packing materials may cause product damage that will void the warranty.
- **DANGER: STABILITY HAZARD, RACKS ARE TO BE INSTALLED BY QUALIFIED SERVICE PERSONNEL ONLY.**
- Use of this equipment in life support applications where failure of this equipment can reasonably be expected to cause the failure of the life support equipment or to significantly affect its safety or effectiveness is not recommended.

Overview

The SR14UBDP SmartRack Enclosure accommodates all standard 19-inch rackmount equipment, regardless of vendor, and ships fully assembled for quick and easy deployment. The SR14UBDP allows for variable mounting depth, making it ideal for servers. The SR14UBDP also includes quick-release locking doors and side panels for convenient maintenance. Front and rear access doors are reversible for installation flexibility.

Feature Identification



- 1** Roof Panel
- 2** Cable Pass-Through Cutouts with Brush Strips
- 3** Locking Front Door
- 4** Locking Rear Door
- 5** Locking Side Panels
- 6** Casters **A** and Levelers **B**
- 7** Mounting Rails (Provide horizontal and vertical mounting points for equipment.)
- 8** Cable Management Rails
- 9** Keys (One for the doors and one for the side panels.)

Not Shown: Mounting hardware, documentation, shipping brackets and other shipping materials.

Enclosure Installation



Caution! Read All Instructions and Warnings Before Installation!



WARNING: The rack enclosure is extremely heavy. Do not attempt to unpack, move or install the enclosure without assistance. Until it has been properly installed and stabilized, the enclosure is prone to tipping and could cause property damage and/or personal injury. Use extreme caution when handling the enclosure and be sure to follow all handling and installation instructions. Do not attempt to install equipment without first stabilizing the enclosure.

Preparation

The enclosure must be installed in a structurally sound area with a level floor that is able to bear the weight of the enclosure, all the equipment that will be installed in the enclosure and any other enclosures and/or equipment that will be installed nearby. Before unpacking the enclosure, you should transport the shipping container closer to the final installation location to minimize the distance you will need to move the unit after the protective packaging has been removed. If you plan to store the enclosure for an extended period before installation, follow the instructions in the **Storage and Service** section.

You need several tools (user-supplied):

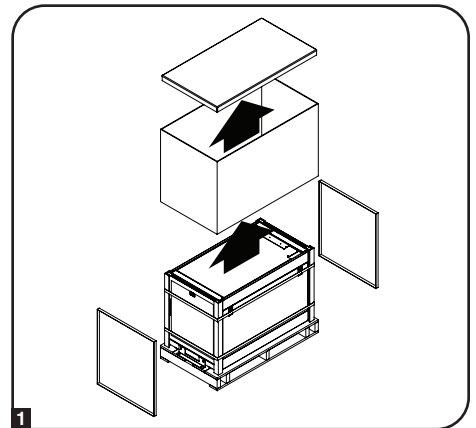
- 13 mm Open-end Wrench
- 18 mm Open-end Wrench
- Utility Blade
- Carpenter's Level
- Phillips-head Screwdriver
- 5/32" Allen Wrench

You also need the following hardware (included):

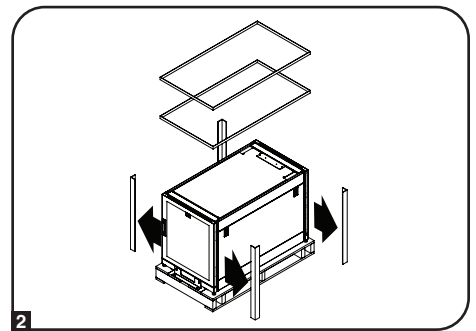
- (60) Phillips-head Mounting Screws (M6 x 5/8")
- (60) Cage Nuts (M6)
- (60) Nylon Cup Washers

Unpacking

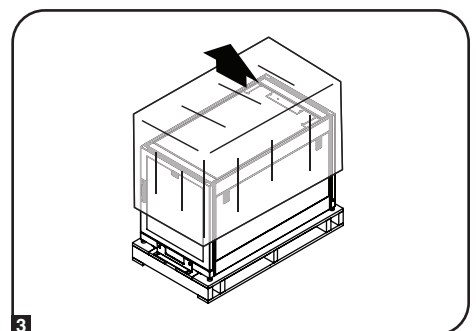
- 1 Confirm the shipping container is upright and stable. With pair of snips, cut the bands securing the cardboard to the unit. Remove the cardboard. The packing materials are recyclable.



- 2 With the outer cardboard packaging removed, use a pair of snips to cut the bands securing the corner protectors. Remove the corner protectors. Save all packing materials (including the pallet) for later use unless you are certain they will not be required. The packing materials are recyclable.



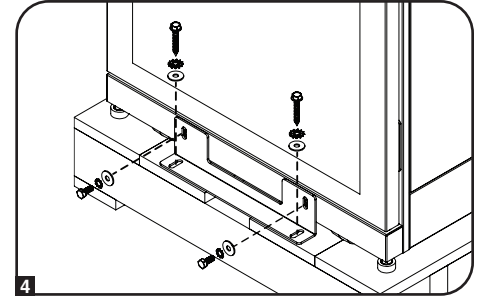
- 3 Remove the heavy plastic bag surrounding the enclosure. Examine the enclosure for any damage or loose parts. Confirm that all parts are present. If anything is missing or damaged, contact Tripp Lite for assistance. Do not attempt to use the enclosure if it has been damaged.



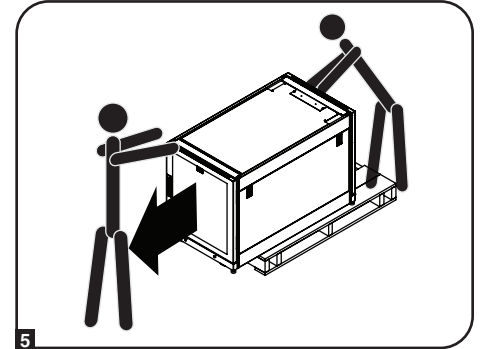
Enclosure Installation

Unpacking (continued)

4 Use a 13 mm open-end wrench to remove the shipping brackets. Be extremely careful, as the enclosure could shift unexpectedly after bracket removal. Save the brackets and bracket hardware for later use.

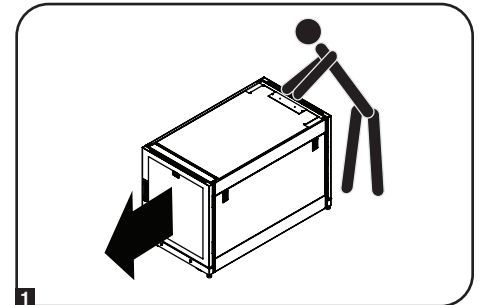


5 Position at least one person at the front of the enclosure and one person at the rear of the enclosure. Slowly push the enclosure toward the back of the shipping pallet until all four casters go over the edge of the pallet and touch the floor. **WARNING: Use at least one assistant when removing the enclosure from the pallet. Be extremely careful when moving the enclosure.**



Placement

1 Use the casters to move the enclosure for a short distance over a level, smooth, stable surface by pushing it from the front or rear (not the side panels). Do not attempt to roll the enclosure over long distances. The enclosure should be moved close to its installation location inside its shipping container before it is unpacked. (Use a forklift or pallet jack to move the shipping container.) **WARNING: Do not push or pull the enclosure at the side panels or pull the enclosure toward you.**

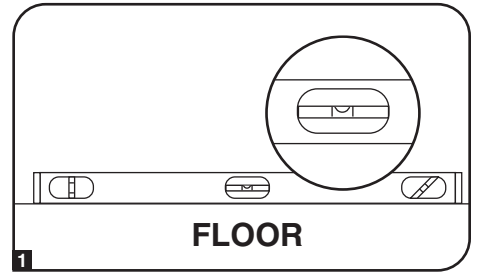


Enclosure Installation

Leveling

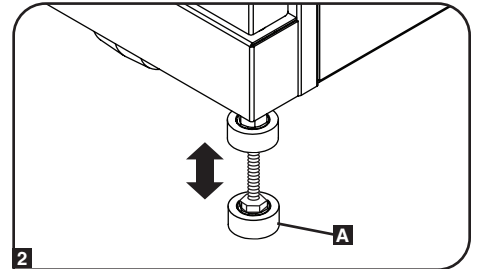
WARNING: Level the enclosure before attempting to install equipment. The casters are not designed to provide long-term support for the enclosure. Use the levelers to provide long-term support. Install the enclosure in a structurally sound area with a level floor that is able to bear the weight of the enclosure, all equipment that will be installed in the enclosure and any other enclosures and/or equipment that will be installed nearby.

- 1 After the enclosure has been moved to the installation location, use a carpenter's level to check the slope of the floor. If the floor slopes more than 1%, choose an alternate installation site.

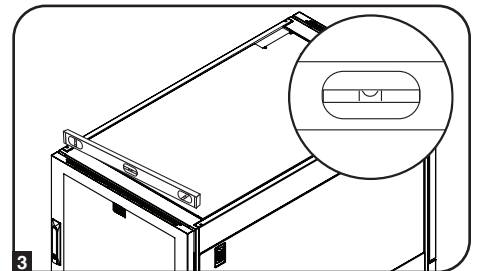


- 2 Use an 18 mm open-end wrench to lower each leveler **A** until it reaches the floor. (There are 4 levelers, 2 at the front and 2 at the rear.) Make sure each leveler contacts the floor solidly.

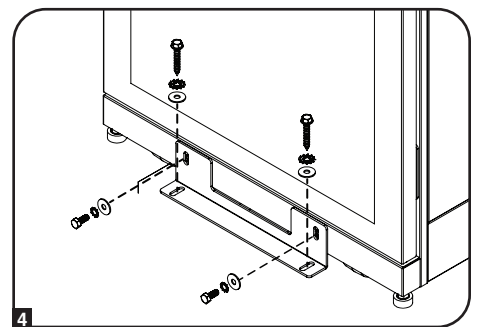
Note: Lower a leveler by turning it clockwise; raise a leveler by turning it counter-clockwise.



- 3 After lowering each leveler, use the carpenter's level to confirm that the enclosure is level in all directions. Adjust the levelers as required until the enclosure is level.

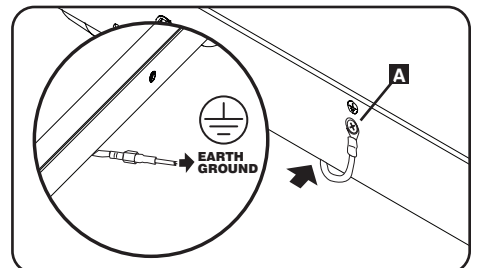


- 4 In order to secure the cabinet to the building structure for stability, attach the 2 shipping brackets using the hardware that attached the enclosure to the shipping pallet. Use a 13 mm open-end wrench to connect the brackets to the outer or inner bracket mounting points of the enclosure. Attach the brackets to secure mounting points in the floor using user-supplied hardware or Tripp Lite's SmartRack Bolt-Down Kit (Model: SRBOLTDOWN).



Ground Connection

All the parts of the enclosure are grounded to the frame of the enclosure. Use the enclosure's front or rear threaded grounding point **A** and an M6 screw (included) to connect the frame of the enclosure directly to your facility's earth ground connection with an 8 AWG (3.264 mm) wire. Route the ground wire under the enclosure's frame to ensure unhindered door operation. **WARNING: Attach each enclosure to earth ground separately. Do not use the enclosure without an earth ground connection.**

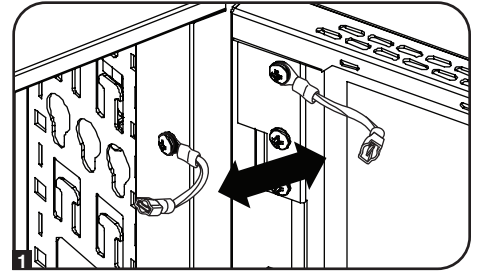


Enclosure Configuration

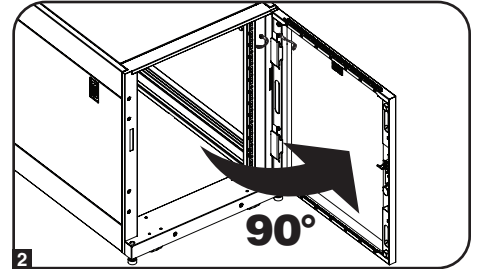
Adding or Removing Front and Rear Doors

Removing Door

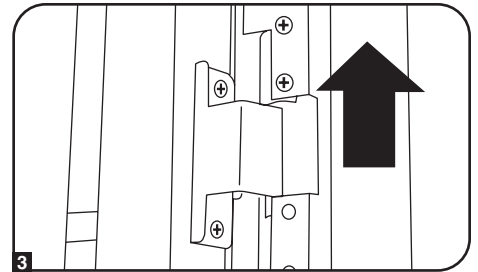
1 Disconnect the door's ground wire.



2 Open the door until it is perpendicular (90 degrees) to the front of the enclosure.



3 Lift the door from the hinges and remove it from the enclosure.

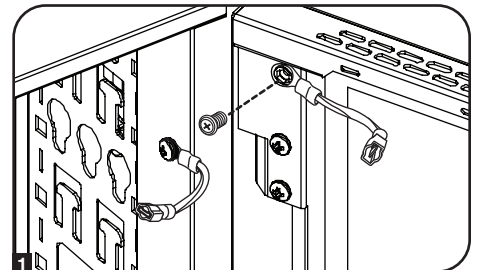


To Reinstall Door, Reverse Steps 1-3

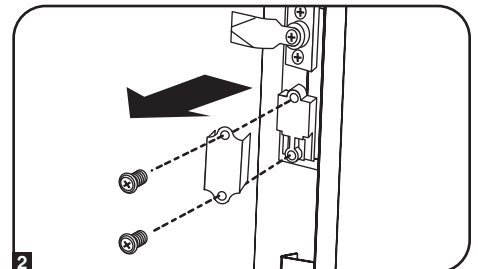
(Optional) If the enclosure is joined to another enclosure, turn the door back toward the enclosure as you lift it from the hinges.

Reversing Front and Rear Doors

1 Remove the screw connecting the ground wire to the inside of the door.



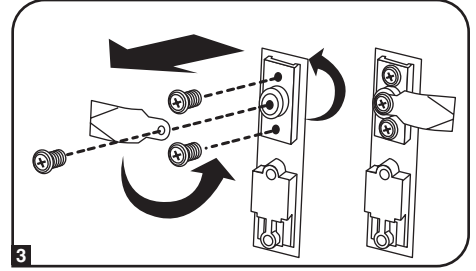
2 Remove the 2 screws connecting the door handle to the door. Remove the door handle.



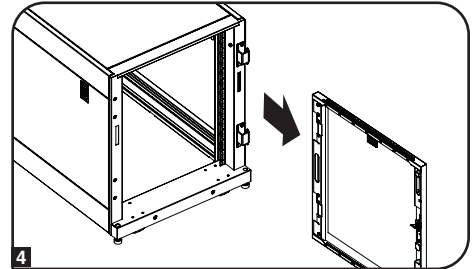
Enclosure Configuration

Reversing Front and Rear Doors (continued)

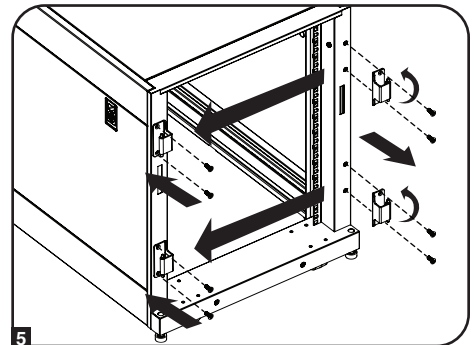
- 3** Remove the screw and washer from the rear of the door handle and remove the latching mechanism. Rotate the latch washer counter-clockwise 90 degrees and reverse the latch so it points in the opposite direction, then use the screw and washer to re-attach the latch to the rear of the door handle.



- 4** Remove the door by following the steps in the previous section.

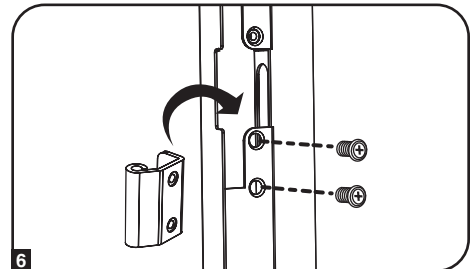


- 5** Remove the door hinges from the enclosure, rotate them 180 degrees and attach them on the opposite side of the enclosure.

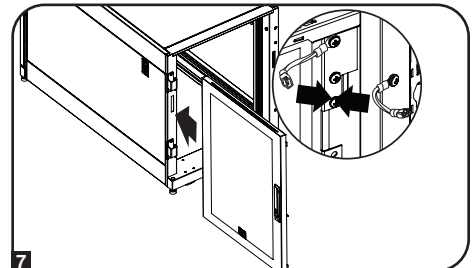


Note: The alternate door hinge attachment points have plastic plugs in the screw holes. Remove the plugs and insert them in the original door hinge attachment points.

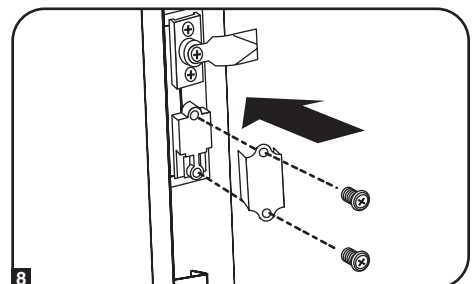
- 6** Unscrew the 2 hinge mechanisms from the hinge openings inside the door, then reattach each of them using the set of screw holes immediately opposite their original position.



- 7** Rotate the door 180 degrees and reinstall it on the enclosure. Remember to connect the ground wire to the inside of the door, using the attachment point nearest the hinge at the top of the door. The attachment point is marked with the ground connection symbol: ⊕.



- 8** Reinstall the door handle.



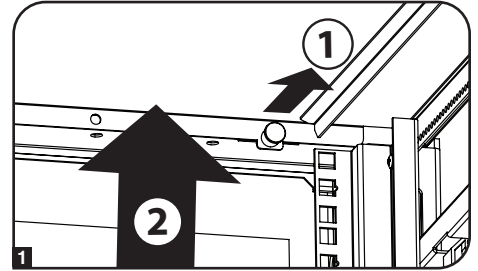
Enclosure Configuration

Adding or Removing Roof Panel

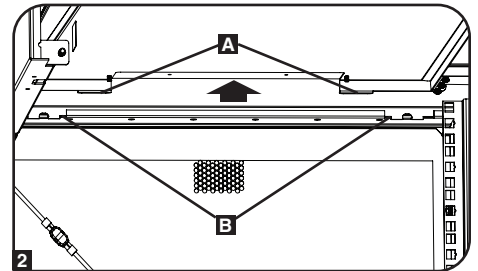
WARNING: Do not attempt to use the roof panel for weight-bearing purposes other than those explicitly described and approved by Tripp Lite. Do not attempt to add or remove the roof panel without assistance.

Removing Roof Panel

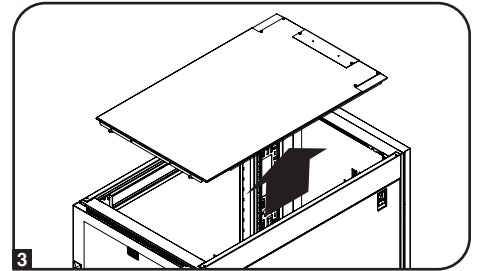
1 Pull the 2 pins near the rear of the roof panel. While holding the pins, push the roof panel upward.



2 Remove the roof panel tabs **A** from the roof panel attachment slots **B** in the enclosure frame.



3 Lift the roof panel from the enclosure.

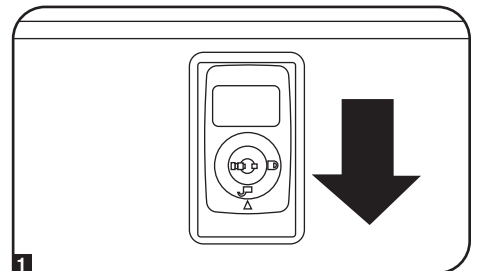


To Reinstall Roof Panel, Reverse Steps 1-3

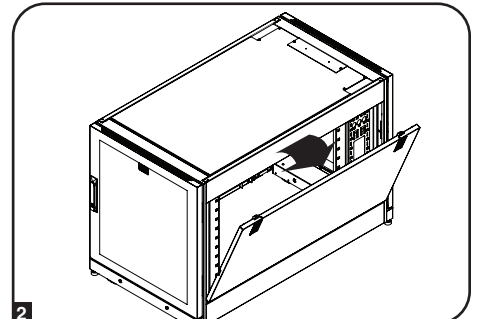
Adding or Removing Side Panels

Removing Side Panel

1 Open the latch by sliding it downward.



2 Tilt the top of the panel away from the enclosure.

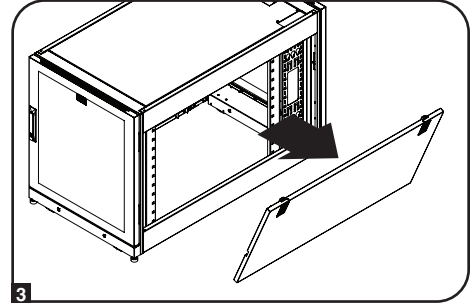


Enclosure Configuration

Adding or Removing Side Panels (continued)

- 3 Lift the panel away from the brace that supports it.

To Reinstall Side Panel, Reverse Steps 1-3

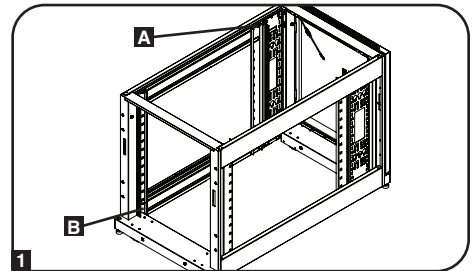


Adjusting Mounting Rails and Cable Management Rails

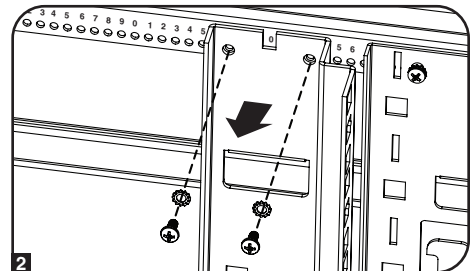
WARNING: Do not attempt to adjust rails without assistance. Do not attempt to adjust rails while equipment is installed in the enclosure. Do not attempt to use rails without screws installed (4 per rail).

The 4 mounting rails are pre-installed to accommodate equipment with a mounting depth of 30 inches (762 mm). Do not adjust the mounting rails unless your equipment requires a different mounting depth. The front and rear sets of rails can be adjusted independently in 1/4-inch (6 mm) increments for mounting depths between 4 inches (101.6 mm) and 42 inches (1066.8 mm).

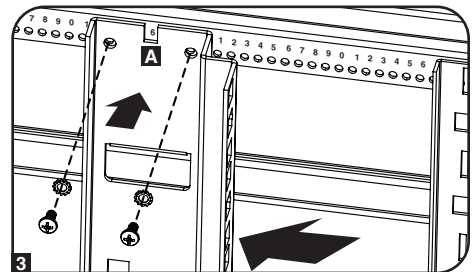
- 1 Each rail is connected to the enclosure with 4 screws - 1 pair at the upper beam **A** and 1 pair at the lower beam **B**.



- 2 Remove the screws fastening each of the rear mounting rails to the enclosure. (If adjustment of the front rails is required, you can also remove the screws from the front rails.)



- 3 Slide the mounting rails to the desired depth and reattach them using the screws you removed in Step 2. The rail attachment points are numbered **A** to help you align each pair of rails at the same depth.

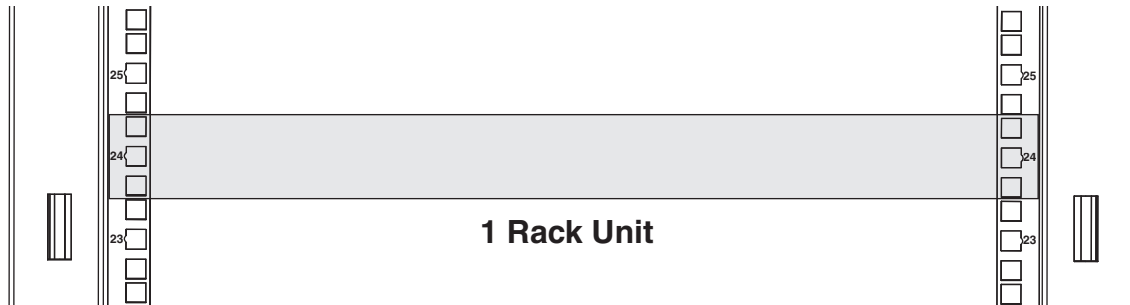


The depth of the 2 cable management rails can be adjusted using the same method.

Equipment Installation

WARNING: Do not install equipment until you have stabilized the enclosure. Install heavier equipment first and install it toward the bottom of the enclosure. Install equipment starting from the bottom of the enclosure and proceeding toward the top of the enclosure - never the reverse. If using sliding equipment rails, be careful when extending the rails. Do not extend more than one set of sliding equipment rails at one time. Avoid extending sliding equipment rails near the top of the enclosure.

Note: The square holes at the middle of each rack unit are numbered and also include a small notch to aid identification. A single rack unit includes the space occupied by the numbered hole and the holes directly above and below.



Installing or Removing Cage Nuts

WARNING: The flanges of the cage nuts should engage the sides of the square opening in the rail, not the top and bottom. Follow the instructions in your equipment documentation to ensure proper installation of your equipment.

Installing Cage Nuts

- 1 Locate the numbered square openings in the mounting rails where you plan to install your equipment. You will install cage nuts (included) into the square openings in order to provide an attachment point for the mounting screws (included).

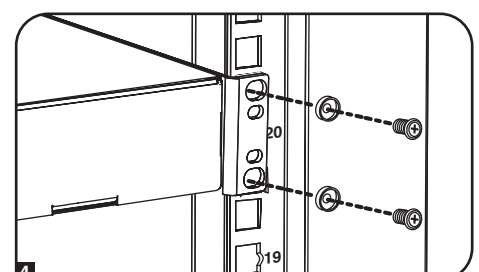
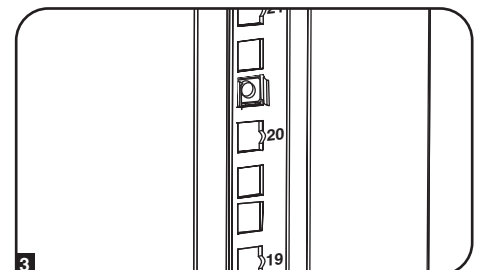
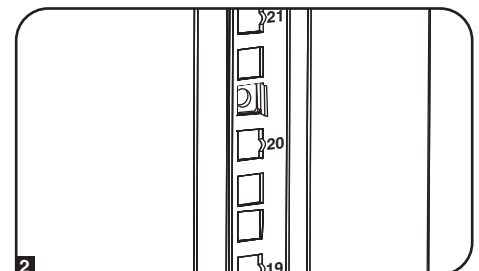
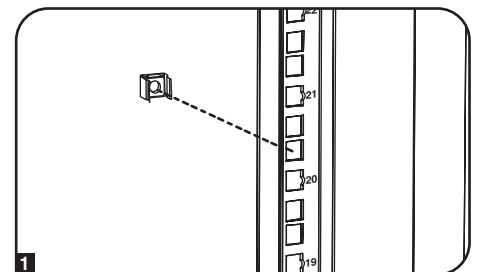
Note: Consult your equipment documentation to determine how many cage nuts will be required and where they will need to be installed.

- 2 From the inside of the mounting rail, insert one of the flanges of the cage nut through the square opening. Press it against the side of the square opening. Each flange should engage one side of the square opening, not the top or bottom.

- 3 Compress the cage nut at the sides slightly to allow the remaining flange to fit through the square opening. When the cage nut is properly installed, both flanges will protrude through the square opening and will be visible on the outer surface of the mounting rail. Repeat steps 1-3 until all required cage nuts are installed.

- 4 After installing the required cage nuts, use the included mounting screws and cup washers to secure your equipment to the rack rail. Place the cup washers between the screws and the equipment mounting brackets.

Note: Your equipment may also include mounting hardware. Read the mounting instructions that came with your equipment before installing your equipment.



To Remove Cage Nuts, Reverse Steps 1-3

Note: You may wish to use a cage nut tool (user-supplied) to aid cage nut installation and removal.

Specifications

Dimensions [H x W x D]	28.23 x 23.62 x 43.62 in. (717 x 600 x 1108 mm)
Unit Weight	118 lb. (53.5 kg)
Load Capacity	1000 lb. (454 kg) Stationary or Rolling

Storage and Service

Storage

The enclosure should be stored in a controlled indoor environment, away from moisture, temperature extremes, flammable liquids and gasses, conductive contaminants, dust and direct sunlight. Store the enclosure in its original shipping container if possible.

Service

Your Tripp Lite product is covered by the warranty described in this manual. A variety of Extended Warranty and On-Site Service Programs are also available from Tripp Lite. For more information on service, visit tripplite.com/support. Before returning your product for service, follow these steps:

1. Review the installation and operation procedures in this manual to insure that the service problem does not originate from a misreading of the instructions.
2. If the problem continues, do not contact or return the product to the dealer. Instead, visit tripplite.com/support.
3. If the problem requires service, visit tripplite.com/support and click the Product Returns link. From here you can request a Returned Material Authorization (RMA) number, which is required for service. This simple on-line form will ask for your unit's model and serial numbers, along with other general purchaser information. The RMA number, along with shipping instructions will be emailed to you. Any damages (direct, indirect, special or consequential) to the product incurred during shipment to Tripp Lite or an authorized Tripp Lite service center is not covered under warranty. Products shipped to Tripp Lite or an authorized Tripp Lite service center must have transportation charges prepaid. Mark the RMA number on the outside of the package. If the product is within its warranty period, enclose a copy of your sales receipt. Return the product for service using an insured carrier to the address given to you when you request the RMA.

Warranty and Product Registration

5-Year Limited Warranty

Seller warrants this product, if used in accordance with all applicable instructions, to be free from original defects in material and workmanship for a period of 5 years from the date of initial purchase. If the product should prove defective in material or workmanship within that period, Seller will repair or replace the product, in its sole discretion.

THIS WARRANTY DOES NOT APPLY TO NORMAL WEAR OR TO DAMAGE RESULTING FROM ACCIDENT, MISUSE, ABUSE OR NEGLIGENCE. SELLER MAKES NO EXPRESS WARRANTIES OTHER THAN THE WARRANTY EXPRESSLY SET FORTH HEREIN. EXCEPT TO THE EXTENT PROHIBITED BY APPLICABLE LAW, ALL IMPLIED WARRANTIES, INCLUDING ALL WARRANTIES OF MERCHANTABILITY OR FITNESS, ARE LIMITED IN DURATION TO THE WARRANTY PERIOD SET FORTH ABOVE; AND THIS WARRANTY EXPRESSLY EXCLUDES ALL INCIDENTAL AND CONSEQUENTIAL DAMAGES. (Some states do not allow limitations on how long an implied warranty lasts, and some states do not allow the exclusion or limitation of incidental or consequential damages, so the above limitations or exclusions may not apply to you. This warranty gives you specific legal rights, and you may have other rights which vary from jurisdiction to jurisdiction).

WARNING: The individual user should take care to determine prior to use whether this device is suitable, adequate or safe for the use intended. Since individual applications are subject to great variation, the manufacturer makes no representation or warranty as to the suitability or fitness of these devices for any specific application.


Product Registration

Visit tripplite.com/warranty today to register your new Tripp Lite product. You'll be automatically entered into a drawing for a chance to win a FREE Tripp Lite product!*

* No purchase necessary. Void where prohibited. Some restrictions apply. See Web site for details.

Tripp Lite follows a policy of continuous improvement. Product specifications are subject to change without notice. Photos and illustrations may differ slightly from actual products.

Note on Labeling

This symbol is used on the product:  Ground Connection



1111 W. 35th Street, Chicago, IL 60609 USA • tripplite.com/support

Manual del Propietario

Gabinete SmartRack® de 14U

Modelo: SR14UBDP

(Número de serie: AG-037D)

Instrucciones de Seguridad Importantes	14
Descripción	14
Identificación de Características	15
Instalación del Estante	16
Preparación	16
Desempaquete	16
Colocación	17
Nivelación	18
Conexión a Tierra	18
Configuración del Estante	19
Añadiendo o Removiendo las Puertas del Frente y Traseras	19
Invirtiendo las Puertas del Frente y Traseras	19
Añadiendo o Removiendo el Panel Superior/Techo	21
Añadiendo o Removiendo los Paneles Laterales	21
Ajustando los Rieles de Montaje y los Rieles para el Manejo de los Cables	22
Instalación del Equipo	23
Instalar o Remover las Tuercas de Jaula	23
Especificaciones	24
Almacenaje y Servicio	24
Garantía	24
English	1
Français	25
Русский	37



1111 W. 35th Street, Chicago, IL 60609 USA • tripplite.com/support

Derechos de Autor © 2022 Tripp Lite. Todas la marcas registradas son totalmente propiedad de sus respectivos dueños.

Instrucciones de Seguridad Importantes



CONSERVE ESTAS INSTRUCCIONES

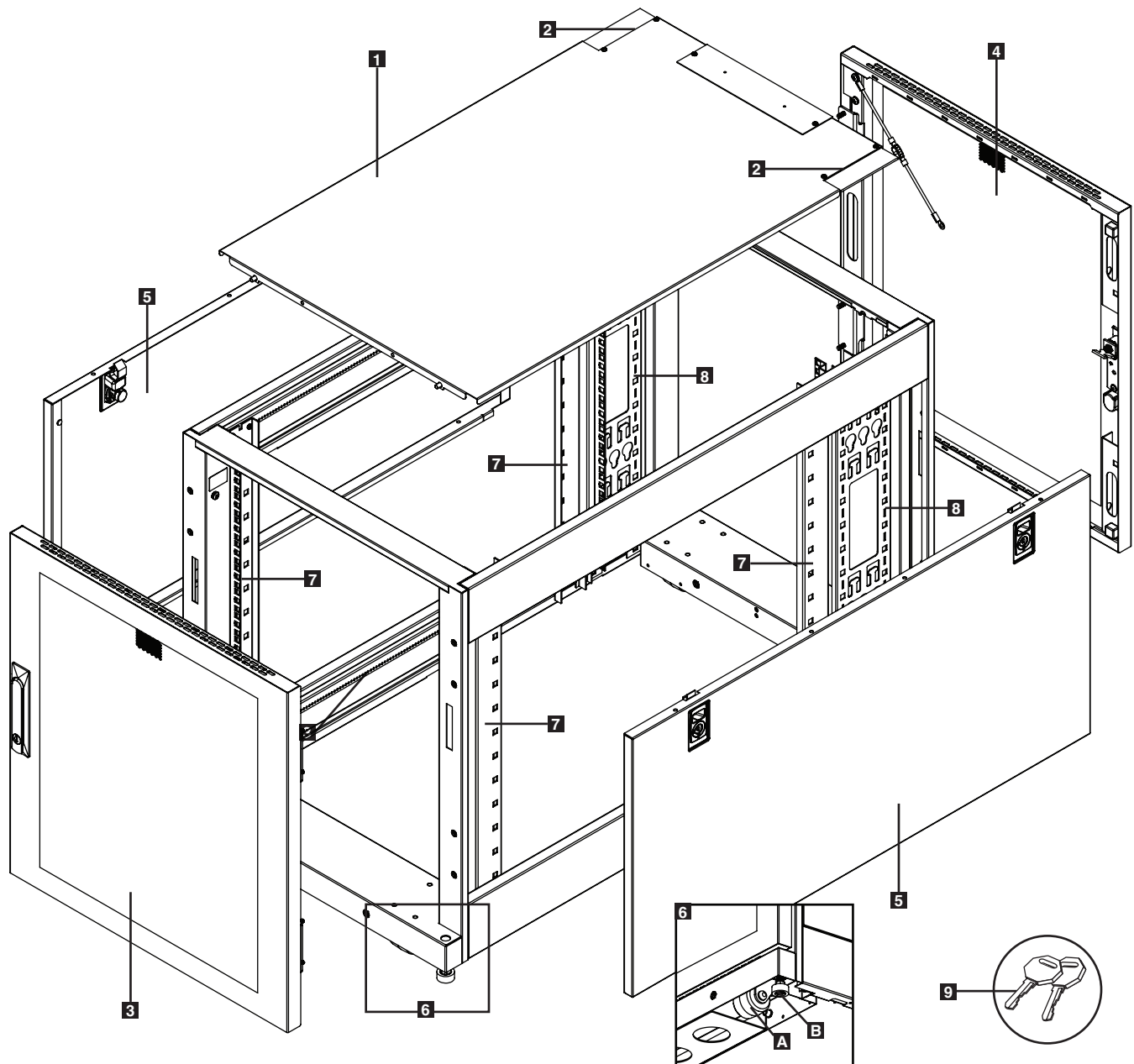
Todas las secciones de este manual contienen instrucciones y advertencias que deberá seguirse durante la instalación y uso de los Estantes SmartRack descritos en este manual. Lea cuidadosamente todas las instrucciones y advertencias antes de intentar mover, instalar o usar los Bastidores SmartRack descritos en este manual. No adherirse a las instrucciones y advertencias de este manual crearán un riesgo de lesiones personales y daños a la propiedad y puede invalidar las garantía.

- Mantenga el estante en un ambiente al interior controlado, lejos de la humedad, temperaturas extremas, líquidos y gases inflamables, contaminantes conductores, polvo y luz solar directa.
- Deje un espacio adecuado al frente y atrás del estante para una ventilación adecuada. No bloquee, cubra o inserte objetos en las aberturas de ventilación externa del estante.
- El estante es extremadamente pesado. Tenga cuidado cuando maneje el estante. No intente desempacarlo, moverlo o instalarlo sin ayuda. Use algún dispositivo mecánico como un montacargas o gato para tarima [pallet jack] para mover el estante y el contenedor de embarque.
- No coloque ningún objeto sobre el estante, especialmente envases con líquidos y no intente apilar los estantes.
- Inspeccione el contenedor de embarque y el estante por posibles daños en el envío. No use el estante si está dañado.
- Deje el estante en el contenedor de embarque hasta que haya sido movido tan cerca como sea posible a su ubicación final. Las ruedas están diseñadas para ajuste de posición menores dentro del área de instalación final únicamente. Las ruedas no están diseñadas para par mover el estante sobre distancias más largas.
- Las ruedas no están diseñadas para dar soporte por largo tiempo al estante después de la instalación final. Use los niveladores/puntales para dar soporte por largo tiempo.
- Instale el estante en un área estructuralmente sólida con un piso nivelado que sea capaz de resistir el peso del estante, a todo el equipo que vaya a ser instalado en el estante y cualquier otro estante y/o equipo que vaya ser instalado cerca.
- Instale firmemente el gabinete a la estructura del edificio, usando los soportes de embarque como se ilustra en la sección de **Instalación del Gabinete** de este manual.
- No empuje el estante de los paneles laterales para moverlo. Empujándolo de los paneles laterales puede causar una volcadura.
- Cuando mueva el estante sobre sus ruedas siempre empujelo desde atrás, nunca lo jale hacia usted.
- Un estante en movimiento puede ocasionar lesiones personales y daños ala propiedad si nos es supervisado adecuadamente. Si es necesario rodar hacia abajo por una rampa al estante extreme precauciones. No intente usar rampas que tengan un declive mayor de 1:12.
- Sea precavido cuando corte el material de empaque. El estante se puede rayar causando un daño no cubierto por la garantía.
- Conserve todo el material de empaque para uso posterior. Reempacar y embarcar el estante sin el empaque original puede causar daños al producto que anularán su garantía.
- **PELIGRO: RIESGO DE ESTABILIDAD, LOS RACKS DEBEN SER INSTALADOS ÚNICAMENTE POR PERSONAL DE SERVICIO CALIFICADO.**
- Use el uso de este equipo en aplicaciones de soporte de vida en donde la falla de este equipo pueda hacer suponer que causará la falla del equipo de soporte de vida o significativamente afectar su seguridad o efectividad no es recomendado.

Descripción

19", sin importar el proveedor y se embarca completamente ensamblado para una instalación rápida y fácil. El SR14UBDP permite la profundidad variable de instalación, haciéndolo ideal para servidores. El SR14UBDP también incluye puertas y paneles laterales de liberación rápida para comodidad en el mantenimiento. Para flexibilidad de instalación, las puertas de acceso frontal y posterior son reversibles.

Identificación de Características



- 1** Panel de Techo
- 2** Recortes para Paso de Cableo con Tiras de Cepillo
- 3** Puerta Frontal con Cerradura
- 4** Puerta Posterior con Cerradura
- 5** Paneles Laterales con Cerradura
- 6** Ruedas **A** y Niveladores **B**
- 7** Rieles de Instalación (Proporcionan puntos de instalación horizontal y vertical para los equipos).
- 8** Rieles para Manejo del Cableado
- 9** Llaves (Una para las puertas y una para los paneles laterales).

No se Muestra: Accesorios de instalación, documentación, soportes de embarque y otros materiales de embarque.

Instalación del Estante



¡Precaución!

¡Lea Todas las Instrucciones y Advertencias Antes de la Instalación!



ADVERTENCIA: El estante es extremadamente pesado. No trate de desempacar, mover o instalar el estante sin ayuda. Hasta que no haya sido adecuadamente instalado y estabilizado, el estante está propenso a volcarse y puede causar daños a la propiedad y/o lesiones personales. Extreme precauciones cuando maneje el estante y asegúrese de seguir todas las instrucciones de manejo e instalación. No intente instalar equipo sin antes haber estabilizado el estante.

Preparación

El estante debe instalarse en un área estructuralmente sólida con un piso nivelado que sea capaz de resistir el peso del estante, el equipo que será instalado en el estante y otros estantes y/o equipos instalados en la cercanía. Antes de desempacar el estante, deberá transportar el contenedor de embarque cerca de la ubicación de la instalación final a fin de minimizar la distancia que necesitará mover la unidad antes que el empaque de protección haya sido removido. Si piensa almacenar el estante por un periodo prolongado antes de instalarlo, siga las instrucciones indicadas en la sección **Almacenaje y Servicio**.

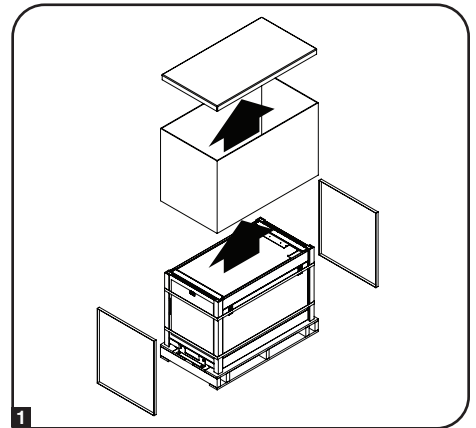
Necesitará varias herramientas (suministradas por el usuario):

También necesitará los siguientes accesorios (incluidos):

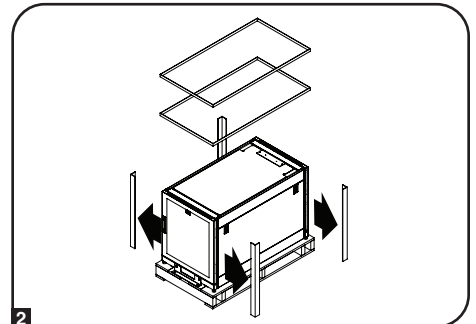
- Llave de tuercas de boca abierta de 13 mm
- Llave de tuercas de boca abierta de 18 mm
- Navaja/Cutter
- Nivel de Carpintero
- Desatornillador Phillips
- Llave Allen de 5/32"
- (60) Tornillos de montaje Phillips (M6 x 5/8")
- (60) Tuercas de Jaula (M6)
- (60) Rondana/ardanla de copa de nylon

Desempaque

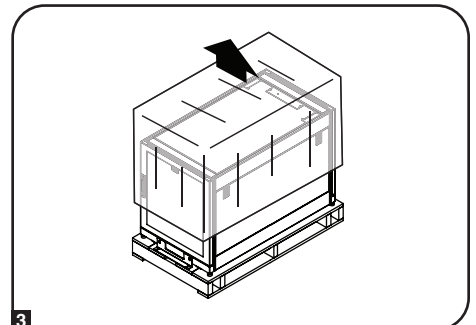
1 Confirme que el contenedor de embarque esté vertical y estable. Con unas tijeras, corte los flejes que sujetan el cartón a la unidad. Retire el cartón. Los materiales de empaque son reciclables.



2 Con el embalaje de cartón externo retirado, utilice unas tijeras para cortar los flejes de fijación de los esquineros protectores. Retire los esquineros protectores. Guarde todos los materiales de empaque (incluyendo la tarima) para uso posterior a menos que esté seguro de que no los necesitará. Los materiales de empaque son reciclables.



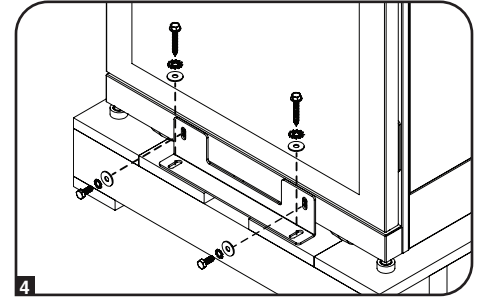
3 Remueva la bolsa de plástico de uso pesado que cubre el estante. Examine el estante buscando cualquier daño o partes sueltas. Confirme que están todas las partes y piezas. Si cualquier parte está dañada o falta, comuníquese con Tripp Lite por ayuda. No trate de usar el estante si éste está dañado.



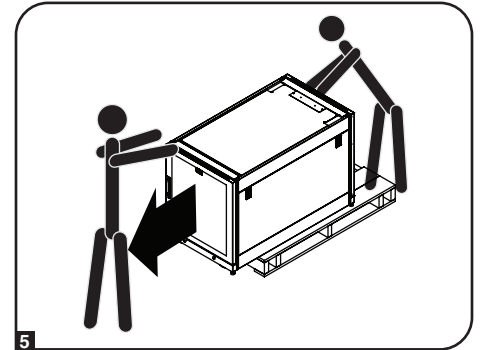
Instalación del Estante

Desempaque (continuación)

4 Use una llave de tuercas de boca abierta de 13 mm para quitar los soportes de embarque. Extreme precauciones ya que el estante podría moverse inesperadamente después que haya quitado los soportes. Conserve los soportes de embarque y los tornillos para uso posterior.

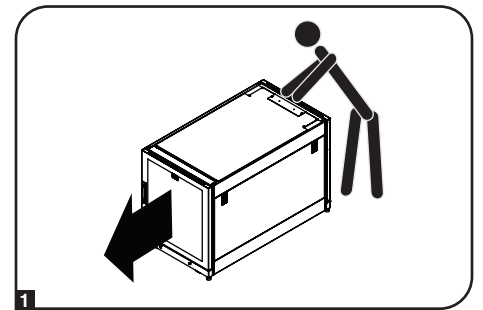


5 Coloque al menos una persona al frente del estante y otra en la parte de atrás del estante. Lentamente empuje el estante hacia atrás de la tarima de embarque hasta que las cuatro ruedas rebasen totalmente la parte posterior de la tarima y estén el piso. **ADVERTENCIA: Use al menos un ayudante para mover el estante de la tarima. Extreme precauciones cuando mueva el estante.**



Colocación

1 Use las ruedas para mover el estante cortas distancias sobre una superficie nivelada, suave y estable empujándolo por atrás (no de los paneles laterales). No trate de rodar el estante por largas distancias. El estante deberá moverse lo más cerca que sea posible al lugar de la ubicación final dentro del contenedor de embarque antes de desempacarlo. (Use un montacargas o gato para tarima para mover el contenedor de embarque.) **ADVERTENCIA: No empuje o jale el estante de los paneles laterales o jale el estante hacia usted.**

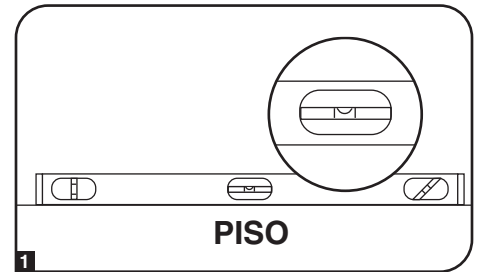


Instalación del Estante

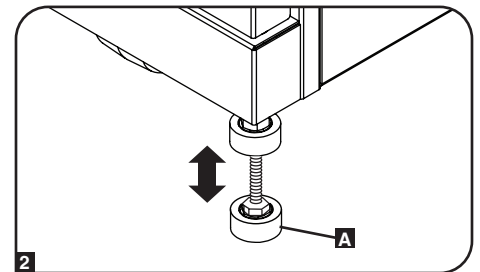
Nivelación

ADVERTENCIA: Nivele el estante antes de intentar instalar el equipo. Las ruedas no están diseñadas para dar soporte por largo tiempo al estante. Use los niveladores/puntales para dar soporte por largo tiempo. Instale el estante en un área estructuralmente sólida con un piso nivelado que sea capaz de resistir el peso del estante, a todo el equipo que vaya a ser instalado en el estante y cualquier otro estante y/o equipo que vaya ser instalado cerca.

- 1 Después que el estante haya sido movido al lugar de instalación, use un nivel de carpintero para revisar la pendiente del piso. Si el piso tiene una pendiente de más de 1% escoja otro lugar para la instalación.

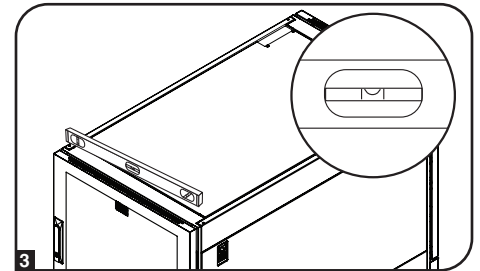


- 2 Use una llave de tuercas de boca abierta de 18 mm para bajar cada nivelador/puntal **A** hasta que toque el piso. (Hay 4 niveladores, 2 al frente y 2 atrás.) Asegúrese que cada nivelador haga contacto sólido con el piso.

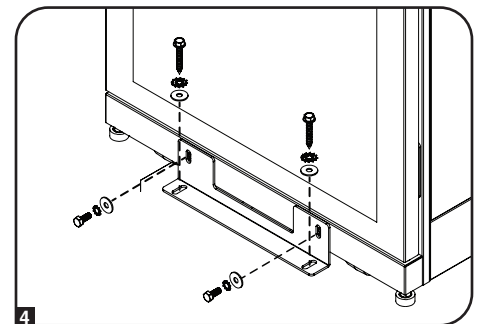


Nota: Baje un nivelador girándolo en el sentido de las manecillas del reloj, elévelo girándolo en contra del sentido de las manecillas del reloj.

- 3 Después de bajar cada nivelador, use el nivel de carpintero para confirmar que el estante está nivelado en todas las direcciones. Ajuste los niveladores hasta que el estante esté nivelado.

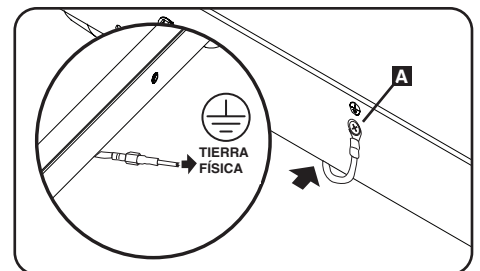


- 4 A fin de asegurar el gabinete a la estructura del edificio para tener estabilidad, fije los 2 soportes de embarque usando los accesorios que sujetan el gabinete a la tarima de embarque. Use una llave de tuercas de boca abierta de 13 mm para conectar los soportes de embarque a los puntos de montaje externos **A** o internos **B** del estante. A continuación fije los soportes a los puntos de anclaje en el piso utilizando tornillos suministrados por el usuario o con el juego SmartRack Bolt-Down de Tripp Lite (Modelo: SRBOLTDOWN).



Conexión a Tierra

Todas las partes del estante están conectadas a tierra al marco del estante. Use los puntos de cuerda de conexión a tierra al frente o atrás del estante **A** y un tornillo M6 (incluido) para conectar el marco del estante directamente a la tierra física de sus instalaciones con un cable 8 AWG (3.264 mm). Enrute el cable de tierra por debajo del marco del estante para asegurar una operación de la puerta correctamente articulada. **ADVERTENCIA:** Fije la conexión a tierra de cada estante por separado. No use el estante sin una adecuada conexión a tierra.

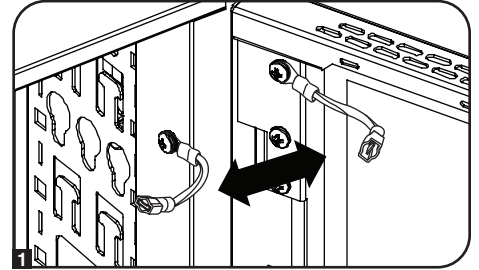


Configuración del Estante

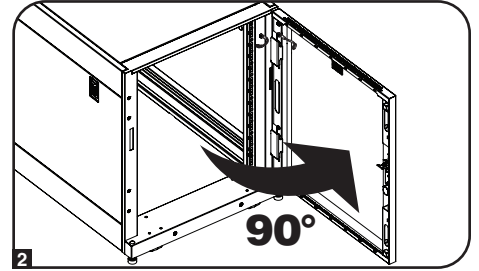
Añadiendo o Removiendo las Puertas del Frente y Traseras

Removiendo la Puerta

1 Desconecte el cable de conexión a tierra de la puerta.



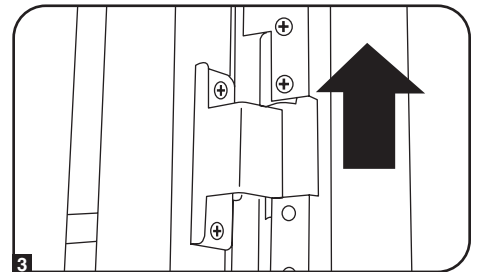
2 Abra la puerta hasta que este perpendicular (90 grados) al frente del estante.



3 Levante la puerta hasta sacarla de las bisagras y quítela del estante.

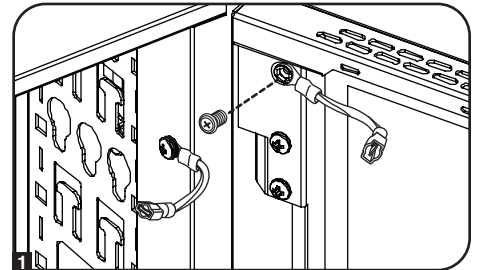
Para Reinstalar la Puerta, Revierta los Pasos 1 a 3

(Opcional) Si el estante está unido a otro estante, gire la puerta hacia el estante mientras la saca de sus bisagras.

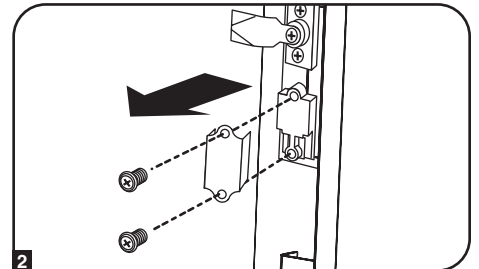


Invirtiendo las Puertas del Frente y Traseras

1 Quite el tornillo que conecta el cable de tierra al interior de la puerta.



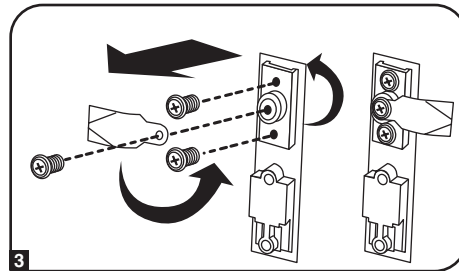
2 Quite los 2 tornillos que conectan la manija de la puerta a la puerta. Remueva la manija de la puerta.



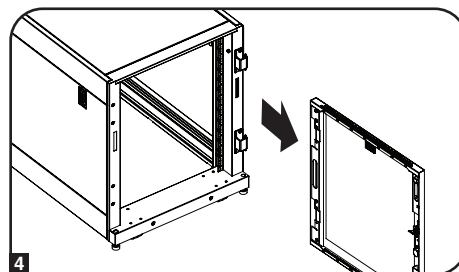
Configuración del Estante

Invertiendo las Puertas del Frente y Traseras (continuación)

- 3** Remueva el tornillo y la arandela de atrás de la manija de la puerta y remueva el mecanismo de cierre. Gire el pestillo en contra del sentido de las manecillas del reloj 90 grados e invierta el pestillo de modo que apunte a la dirección contraria, a continuación use el tornillo y la arandela para volver a fijar el pestillo a la parte posterior de la manija de la puerta.

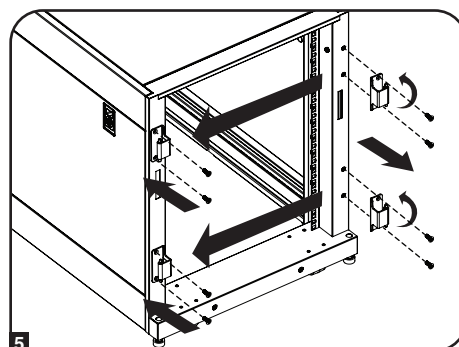


- 4** Remueva la puerta siguiendo los pasos descrito en la sección anterior.

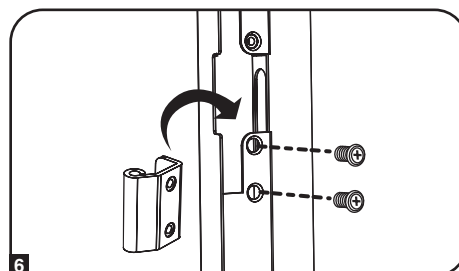


- 5** Remueva las bisagras de la puerta del estante, gírelas 180 grados y fíjelas al lado opuesto del estante.

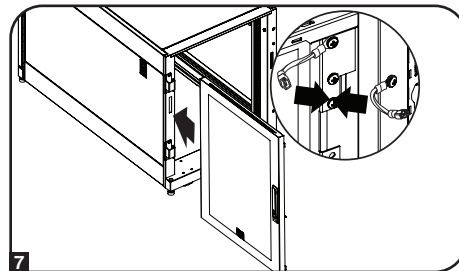
Nota: Los puntos alternos para fijar las bisagras de la puerta tienen tapas de plástico en las perforaciones para los tornillos. Quite estas tapas e insértelos en los puntos de fijación de las bisagras originales.



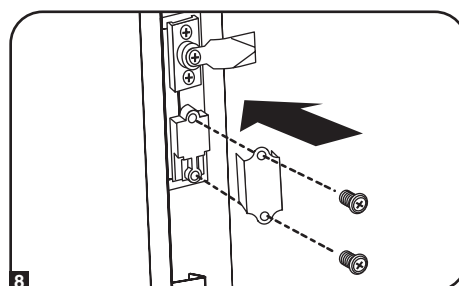
- 6** Desatornille el mecanismo de 2 bisagras de las aperturas de las bisagras en el interior de la puerta, y luego fije cada una de ellas usando el juego de perforaciones inmediatamente opuesto a la posición original.



- 7** Gire la puerta 180 grados y reinstálela en el estante. Recuerde conectar el cable de tierra al interior de la puerta, usando el punto de fijación más cercano a la bisagra de la parte superior de la puerta. El punto de fijación está marcado con el símbolo de conexión a tierra: ⊕.



- 8** Reinstale la manija de la puerta.

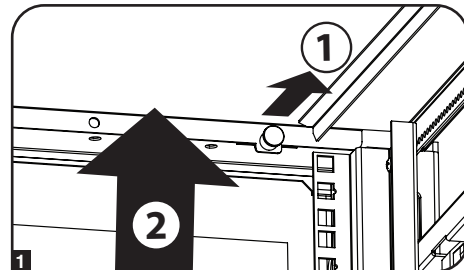


Configuración del Estante

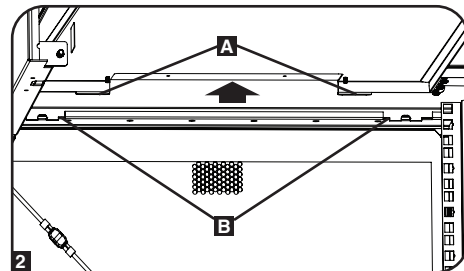
Añadiendo o Removiendo el Panel Superior/Techo

Removiendo el Panel Superior

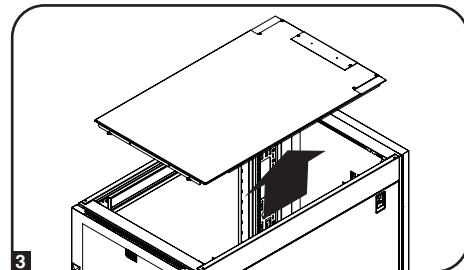
1 Jale los 2 pasadores cerca de la parte trasera del panel superior. Mientras retiene los pasadores, empuje el panel superior hacia arriba.



2 Remueva las lengüetas del panel superior **A** de las ranuras de fijación del panel superior **B** en el marco del estante.



3 Levante el panel superior del estante.

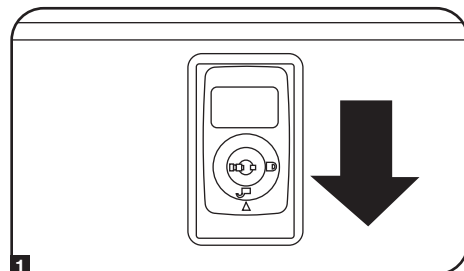


Para Reinstalar el Panel Superior, Revierta los Pasos 1 a 3

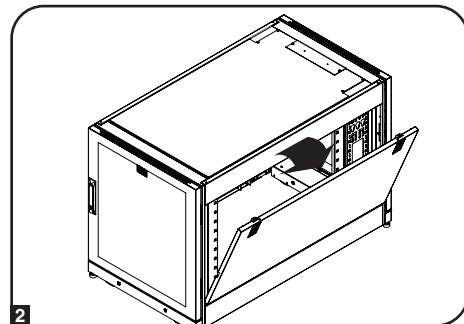
Añadiendo o Removiendo los Paneles Laterales

Removiendo el Panel Lateral

1 Abra el pestillo deslizando hacia abajo.



2 Incline la parte superior del panel hacia afuera del estante.

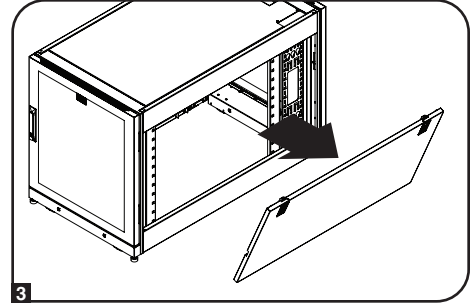


Configuración del Estante

Añadiendo o Removiendo los Paneles Laterales (continuación)

3 Retire el panel de la abrazadera que lo soporta.

Para Reinstalar el Panel Lateral, Revierta los Pasos 1 a 3

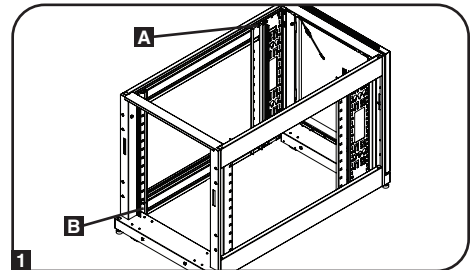


Ajustando los Rieles de Montaje y los Rieles para el Manejo de los Cables

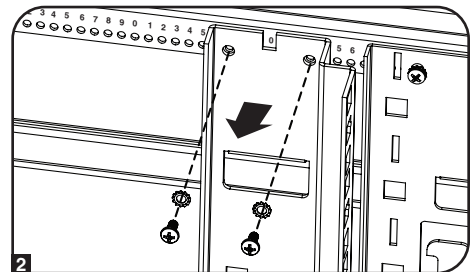
ADVERTENCIA: No intente ajustar los rieles sin asistencia. No intente ajustar los rieles con equipo instalado en el estante. No intente usar los rieles sin haber instalado los tornillos (4 por riel).

Los 4 rieles de montaje están preinstalados para acomodar equipo con un fondo de montaje de 30 pulgadas (762 mm). No ajuste los rieles de montaje a menos que su equipo requiera una diferente profundidad par su montaje. El juego de rieles del frente y traseros pueden ajustarse independientemente en incrementos de ¼ de pulgada (6 mm) para fondos de montaje entre 4 pulgadas (101.6 mm) y 42 pulgadas (1066.8 mm).

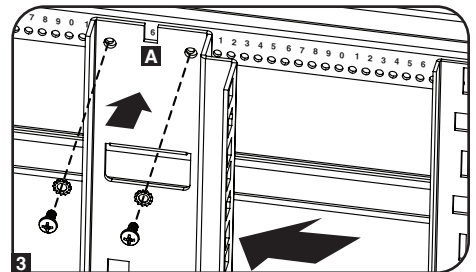
1 Cada riel está conectado al estante con 6 tornillos - 1 par en la barra superior **A**, 1 par en la barra de en medio **B** y 1 par en la barra de hasta abajo **C**.



2 Remueva los tornillos que sujetan cada uno de los rieles de montaje traseros al estante. (Si es necesario ajustar los rieles frontales, también puede quitar los tornillos de los rieles frontales.)



3 Deslice los rieles de montaje a la profundidad deseada y vuévalos a fijar utilizando los tornillos que quitó en el paso 2 anterior. Puntos de fijación del riel están numerados **A** para ayudarlo a alinear cada par de rieles a la misma profundidad.



El fondo de los 2 rieles para el manejo de cables pueden ajustarse usando el mismo método.

Instalación del Equipo

ADVERTENCIA: No instale ningún equipo hasta que haya estabilizado el estante. Instale primero el equipo más pesado e instélolo hacia el fondo del bastidor. Instale el equipo comenzando desde el fondo del estante y continuando hacia la parte superior del estante - nunca al revés. Si usa rieles para equipo deslizante sea cuidadoso cuando extienda los rieles. No extienda más de un juego de rieles a la vez. Evite extender los rieles de los equipos deslizables cerca de la parte superior del estante.

Nota: Los hoyos cuadrados en medio de cada unidad de rack están numerados y también incluyen una pequeña muesca para ayudar a identificarlos. Una sola unidad de rack incluye el espacio ocupado por el hoyo numerado y los hoyos directamente arriba y abajo.



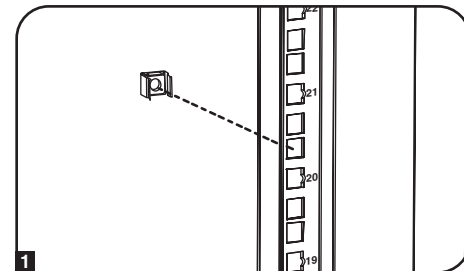
Instalar o Remover las Tuercas de Jaula

ADVERTENCIA: Las pestañas de las tuercas de jaula deben encajar en ambos lados de las aperturas cuadradas en el riel, no arriba y abajo. Siga las instrucciones en la documentación de su equipo para asegurarse de una instalación correcta de su equipo.

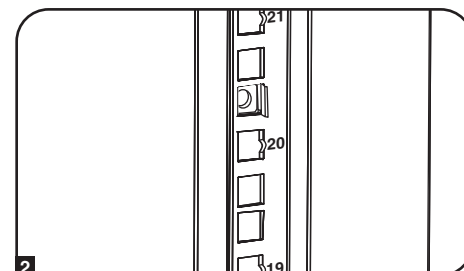
Instalando las Tuercas de Jaula

- 1 Localice las aperturas cuadradas numeradas en los rieles de montaje en donde planea instalar su equipo. Instale las tuercas de jaula (incluidas) en las perforaciones cuadradas a fin de proporcionar un punto de fijación para montar los tornillos (incluidos).

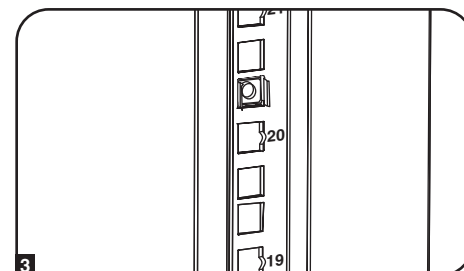
Nota: Consulte la documentación de su equipo para determinar cuantas tuercas de jaula se necesitarán y en donde se necesitará colocarlos.



- 2 Desde el interior del riel de montaje, inserte una de las pestañas a través de la apertura cuadrada. Presiónela contra los lados de la perforación cuadrada. Cada pestaña debe encajar a un lado de la perforación cuadrada, no arriba o abajo.

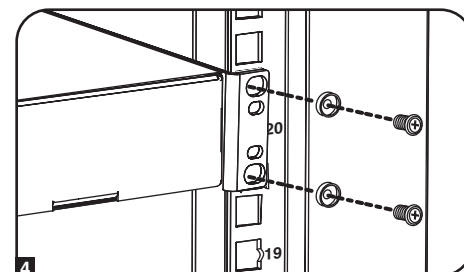


- 3 Comprima ligeramente la tuerca de jaula de los lados para permitir la pestaña restante ajustarse dentro de la apertura cuadrada. Cuando las tuercas estén adecuadamente instaladas, ambas pestañas sobresaldrán a través de la apertura cuadrada y serán visibles en la superficie exterior del riel de montaje. Repita los pasos 1 a 3 hasta que todas las tuercas de jaula requeridas estén instaladas.



- 4 Posteriormente a haber instalado las tuercas de jaula requeridas, use los tornillos de montaje incluidos y rondanas de copa para asegurar su equipo en el riel del rack. Coloque las rondanas de copa entre los tornillos y las abrazaderas de montaje del equipo.

Nota: Su equipo puede incluir su propio hardware de montaje. Lea las instrucciones que acompañan a su equipo antes de instalar el equipo.



Para Quitar las Tuercas de Jaula, Invierta los Pasos 1 a 3

Nota: Puede querer usar una pinza para tuercas de jaula (suministrada por el usuario) para ayudarse en la instalación y remoción de las tuercas de jaula.

Especificaciones

Medidas (Al x An x Pr)	717 x 600 x 1108 mm [28.23" x 23.62" x 43.62"]
Peso de la Unidad	53.5 kg [118 lb]
Capacidad de Carga	454 kg [1000 lb] Estacionario o Rodante

Almacenaje y Servicio

Almacenaje

El estante debe almacenarse en un ambiente al interior controlado, lejos de la humedad, temperaturas extremas, líquidos y gases inflamables, contaminantes conductores, polvo y luz solar directa. Almacene el estante si es posible en su empaque original.

Servicio técnico

Su producto Tripp Lite está cubierto por la garantía descrita en este manual. Tripp Lite también pone a su disposición una variedad de Garantías extendidas y Programas de servicio técnico en el sitio. Si desea más información sobre el servicio técnico, visite tripplite.com/support. Antes de devolver su producto para servicio técnico, siga estos pasos:

1. Revise la instalación y los procedimientos de operación que se encuentran en este manual para asegurarse de que el problema de servicio no se debe a una mala lectura de las instrucciones.
2. Si el problema persiste, no se comunique ni devuelva el producto al mayorista. En cambio, visite tripplite.com/support.
3. Si el problema exige servicio técnico, visite tripplite.com/support y haga clic en el enlace Devoluciones de productos. Desde aquí puede solicitar un número de Autorización de Material Devuelto (RMA), que se necesita para el servicio técnico. En este sencillo formulario en línea se le solicitarán los números de serie y modelo de la unidad, junto con otra información general del comprador. El número RMA y las instrucciones para el envío se le enviarán por correo electrónico. La presente garantía no cubre ningún daño (directo, indirecto, especial o consecuencial) del producto que ocurra durante el envío a Tripp Lite o a un centro de servicio técnico de Tripp Lite autorizado. Los productos enviados a Tripp Lite o a un centro de servicio técnico de Tripp Lite autorizado deben tener prepagos los cargos de transporte. Escriba el número RMA en el exterior del embalaje. Si el producto se encuentra dentro del período de garantía, adjunte una copia de su recibo de venta. Envíe el producto para servicio técnico mediante un transportador asegurado a la dirección que se le proporcionó cuando solicitó el número RMA.

Garantía

Garantía Limitada por 5 Años


El Vendedor garantiza este producto, si es usado de acuerdo a las instrucciones aplicables de estar libre de defectos de origen en materiales y mano de obra por un periodo de 5 años. Si el producto mostrara defectos en materiales o mano de obra dentro de ese periodo contados a partir de la fecha de la compra original, el Vendedor reparará o reemplazará el producto a su completa discreción.

ESTA GARANTIA NO APLICA POR EL USO NORMAL O DAÑOS RESULTANTES DE ACCIDENTES, MAL USO, ABUSO O NEGLIGENCIA. EL VENDEDOR NO EXPRESA OTRAS GARANTIAS QUE NO SEA LA GARANTIA EXPRESAMENTE ESTABLECIDA AQUI. EXCEPTO POR LO PROHIBIDO POR LAS LEYES APLICABLES, TODAS LAS GARANTIAS IMPLICADAS, INCLUYENDO TODAS LAS GARANTIAS DE MERCANTIBILIDAD O CONVENIENCIA, SON LIMITADAS AL PERIODO ESTABLECIDO CON ANTERIORIDAD ARRIBA, Y ESTA GARANTIA EXPRESAMENTE EXCLUYE TODOS LOS DAÑOS INCIDENTALES Y CONSECUENTES. (Algunos estados no permiten limitaciones sobre la duración de una garantía implícita y algunos estados no permiten la exclusión o limitación de daños incidentales o consecuentes, de modo que las limitaciones o exclusiones de arriba no puedan aplicarse a Usted. Esta garantía le da derechos legales específicos y usted puede tener otros derechos que varían de jurisdicción en jurisdicción).

ADVERTENCIA: Los usuarios deberán tener cuidado en determinar, en forma individual, antes de usar este dispositivo si éste es adecuado o seguro para el uso que se le quiere dar. Dado que las aplicaciones individuales están sujetas a una gran variedad, el fabricante no garantiza ni establece la adecuación, conveniencia o correctibilidad de su uso para una aplicación específica.

Tripp Lite tiene una política de mejoramiento continuo. Las especificaciones están sujetas a cambio sin previo aviso. Las fotografías e ilustraciones pueden diferir ligeramente de los productos reales.

Nota Sobre el Etiquetado

Este símbolo se usa en el producto:  Conexión a Tierra



Guide du propriétaire

Boîtier 14U SmartRack®

Modelo: SR14UBDP

(Numéro de série : AG-037D)

Importantes consignes de sécurité	26
Vue d'ensemble	26
Identification des caractéristiques	27
Installation de l'armoire	28
Préparation	28
Déballage	28
Mise en place	29
Mise à niveau	30
Mise à la terre	30
Configuration de l'armoire	31
Poser ou enlever les portes avant et arrière	31
Inversion de les portes avant et arrière	31
Pose et enlèvement du panneau supérieur	33
Pose et enlèvement des panneaux latéraux	33
Ajustement des profilés de montage et des profilés pour les chemins de câbles	34
Installation de l'équipement	35
Installation ou enlèvement des écrous à cage	35
Caractéristiques techniques	36
Entreposage et entretien	36
Garantie	36
English	1
Español	13
Русский	37



1111 W. 35th Street, Chicago, IL 60609 USA • tripplite.com/support

Copyright © 2022 Tripp Lite. Toutes les marques de commerce appartiennent à leurs propriétaires respectifs.

Importantes consignes de sécurité



CONSERVER CES CONSIGNES

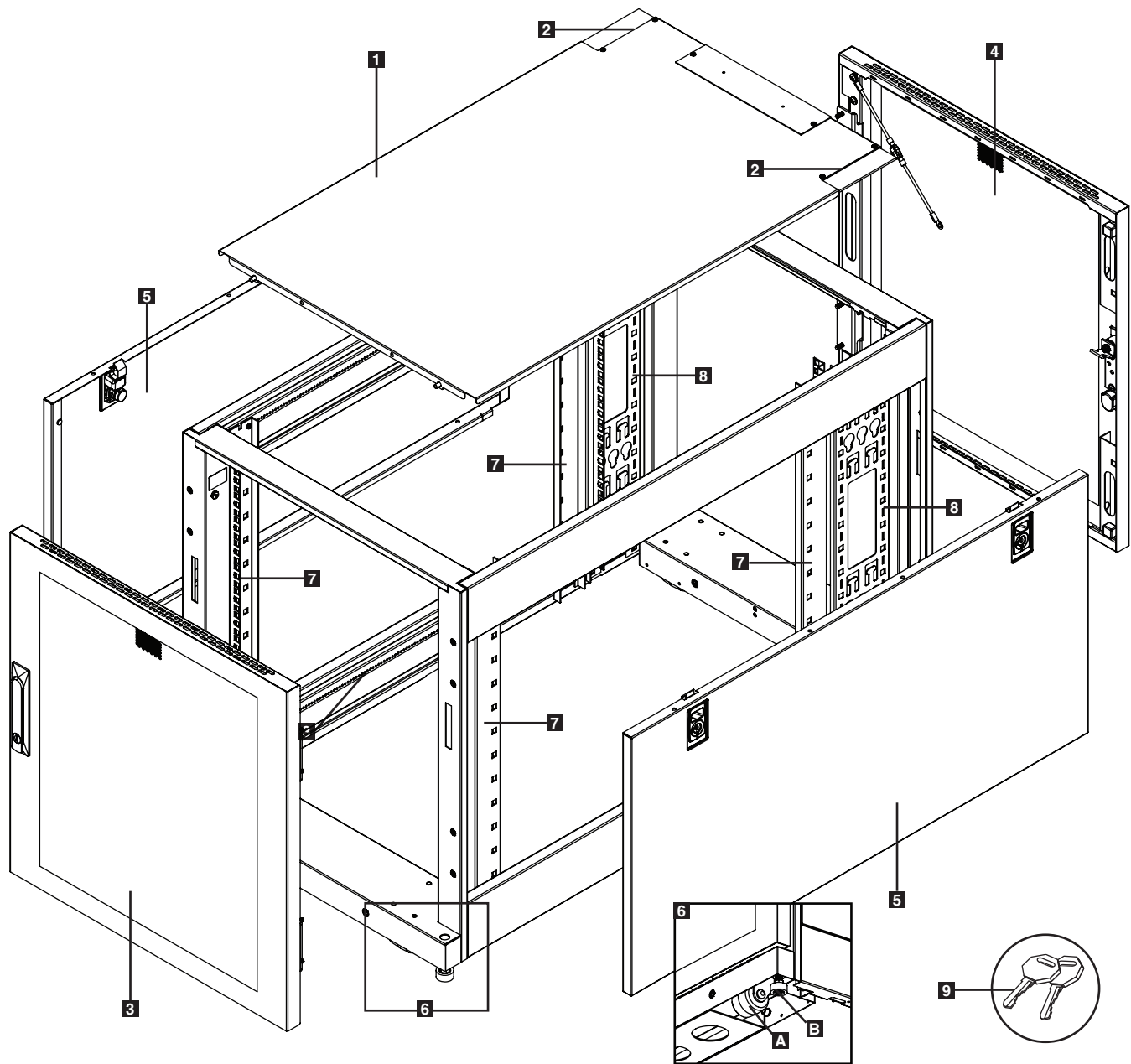
Ce guide contient des instructions et des mises en garde qu'il faut suivre pendant l'installation et l'utilisation des armoires de stockage SmartRack décrites dans ce manuel. Lire attentivement toutes les instructions et les mises en garde avant de déplacer, installer ou utiliser les armoires de stockage SmartRack décrites dans ce manuel. Le non-respect de ces consignes créera un risque de blessure ou de dégâts matériels et pourrait annuler la garantie.

- Maintenir l'armoire dans un environnement intérieur contrôlé, à l'abri de l'humidité, des températures extrêmes, des liquides et des gaz inflammables, de contaminants conducteurs, de la poussière et de la lumière directe du soleil.
- Laisser un espace suffisant à l'avant et à l'arrière de l'armoire pour garantir une bonne circulation d'air. Ne pas bloquer, couvrir ou introduire des objets dans les ouvertures externes de ventilation de l'armoire.
- Cette armoire est très lourde. Faire attention lors de la manutention de l'armoire. Ne pas essayer de la déballer, de la déplacer ou de l'installer sans aide. Utiliser un appareil mécanique comme un chariot élévateur ou une transpalette à main pour déplacer l'armoire dans le conteneur d'expédition.
- Ne poser aucun objet sur l'armoire, en particulier des contenants de liquide, et ne pas essayer d'empiler les armoires.
- Inspecter le conteneur d'expédition et l'armoire pour vérifier si elle a été endommagée lors de l'expédition. Ne pas utiliser l'armoire si elle a été endommagée.
- Laisser l'armoire dans le conteneur d'expédition pour la déplacer aussi près que possible de l'emplacement final de l'installation. Les roulettes ne sont destinées qu'à des ajustements mineurs de position dans l'aire de l'installation finale. Les roulettes ne sont pas conçues pour déplacer l'armoire sur de plus longues distances.
- Les roulettes ne sont pas conçues pour servir de support à long terme à l'armoire après l'installation finale. Utiliser les vérins de calage pour servir de support à long terme.
- Installer l'armoire dans une aire à structure solide dont le plancher de niveau est capable de supporter le poids de l'armoire, de tout l'équipement qui sera installé dans l'armoire et des autres armoires et équipements qui seront installés à proximité.
- Installer l'armoire de façon sécuritaire à la structure du bâtiment en utilisant les supports d'expédition comme illustré dans la section Installation du boîtier de ce manuel.
- Ne pas pousser sur les panneaux latéraux de l'armoire pour la déplacer. Procéder ainsi causera un risque de basculement.
- Lors d'un déplacement de l'armoire sur ses roulettes, toujours pousser de l'arrière, ne jamais tirer vers soi.
- Un déplacement sur roulettes mal surveillé de l'armoire peut causer des blessures ou des dégâts matériels. Faire très attention s'il faut faire descendre une rampe d'accès à l'armoire sur roulettes. Ne pas essayer d'utiliser des rampes d'accès avec une pente plus raide que 1 : 12.
- Faire attention lors de la coupe des matériaux d'emballage. L'armoire pourrait être égratignée, entraînant des dommages non couverts par la garantie.
- Conserver tous les matériaux d'emballage pour une future utilisation. Réemballer et expédier l'armoire sans son emballage original pourrait causer des dommages qui annuleraient la garantie.
- **DANGER : RISQUE LIÉ À LA STABILITÉ. L'INSTALLATION DES BÂTIS DOIT ÊTRE CONFIEE UNIQUEMENT À DU PERSONNEL D'ENTRETIEN QUALIFIÉ.**
- Il est déconseillé d'utiliser cet équipement dans des applications médicales où une panne de cet équipement pourrait normalement provoquer la panne de l'équipement de survie ou altérer notablement sa sécurité ou son efficacité.

Vue d'ensemble

Le boîtier SR14UBDP SmartRack est compatible avec tout équipement pour montage en bâti standard de 48,26 cm (19 po), peu importe le fournisseur, et est expédié complètement assemblé pour un déploiement simple et rapide. Le SR14UBDP permet une profondeur de montage variable, ce qui le rend idéal pour les serveurs. Le SR14UBDP inclut également des portes et des panneaux latéraux verrouillables à déclenchement rapide pour un entretien pratique. Les portes d'accès avant et arrière sont réversibles pour une plus grande souplesse d'installation.

Identification des caractéristiques



- 1** Panneau de toit
- 2** Câble d'intercommunication avec joints brosses
- 3** Porte avant verrouillable
- 4** Porte arrière verrouillable
- 5** Panneaux latéraux verrouillables
- 6** Roulettes **A** et vérins **B**
- 7** Rails de montage (fournissent des points de montage horizontaux et verticaux pour l'équipement)
- 8** Rails de gestion des câbles
- 9** Clés (une pour les portes et l'autre pour les panneaux latéraux)

Non illustrés : quincaillerie de montage, documentation, supports d'expédition et autre matériel d'expédition.

Installation de l'armoire



Attention!



Lire toutes les instructions et les mises en garde avant l'installation!

MISE EN GARDE : Cette armoire de bâti est très lourde. Ne pas essayer de la déballer, de la déplacer ou de l'installer sans aide. Jusqu'à ce qu'elle soit correctement installée et stabilisée, l'armoire a tendance à basculer et peut causer des dégâts matériels et des blessures. Faire très attention lors de la manutention de l'armoire et veiller à suivre toutes les instructions de manutention et d'installation. Ne pas essayer d'installer de l'équipement sans avoir d'abord stabilisé l'armoire.

Préparation

Il faut installer l'armoire dans une aire à structure solide dont le plancher de niveau est capable de supporter le poids de l'armoire, de tout l'équipement qui sera installé dans l'armoire et des autres armoires et équipements qui seront installés à proximité. Avant de déballer l'armoire, vous devez transporter le conteneur d'expédition à proximité de l'emplacement de l'installation finale pour réduire la distance de déplacement de l'appareil une fois que l'emballage protecteur aura été enlevé. Si vous planifiez d'entreposer l'armoire pendant une période prolongée avant installation, suivre les instructions du chapitre **Entreposage et service**.

Vous aurez besoin de plusieurs outils (fourni par l'utilisateur) : Vous aurez aussi besoin de la quincaillerie suivante (fournie) :

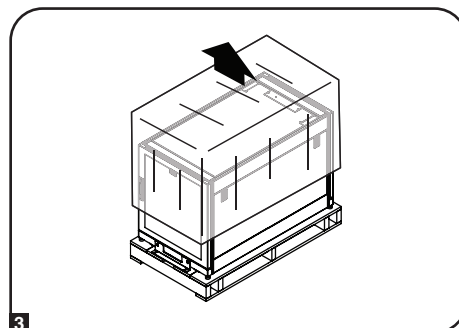
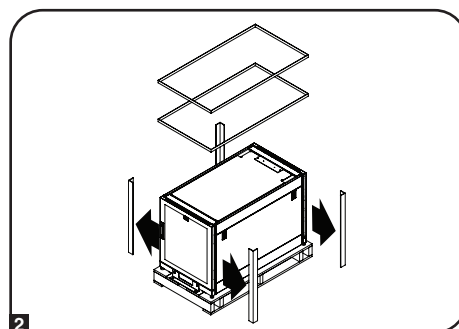
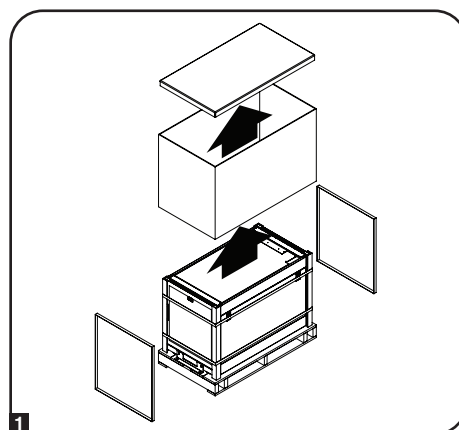
- Une clé ouverte de 13 mm
 - Une clé ouverte de 18 mm
 - Un couteau universel
 - Un niveau de charpentier
 - Un tournevis Phillip
 - Une clé Allen de 5/32 po
- (60) vis Phillips (M6 x 5/8 po)
 - (60) Écrous à cage (M6)
 - (60) Rondelles à collerette en nylon

Déballage

1 Vérifier que le conteneur d'expédition est en position verticale et stable. À l'aide d'une paire de cisailles, couper les bandes qui retiennent le carton autour de l'appareil. Retirer le carton. Le matériel d'emballage est recyclable.

2 Une fois l'emballage de carton extérieur retiré, utiliser une paire de cisailles pour couper les bandes qui retiennent les cornières de protection. Retirer les cornières de protection. Conserver le matériel d'emballage (y compris la palette) pour un usage ultérieur à moins d'avoir la certitude que cela ne sera pas nécessaire. Le matériel d'emballage est recyclable.

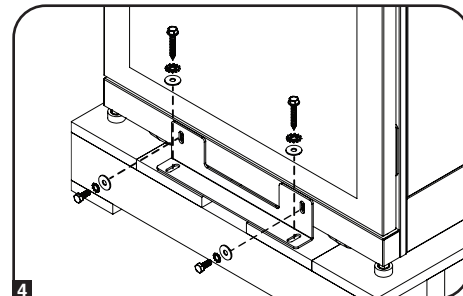
3 Retirer le lourd sac de plastique entourant l'armoire. Examiner l'armoire pour vérifier si elle est endommagée ou s'il manque des pièces. Vérifier la présence de toutes les pièces. Si quoi que ce soit manque ou est endommagé, communiquer avec Tripp Lite pour de l'aide. Ne pas essayer d'utiliser l'armoire si elle a été endommagée.



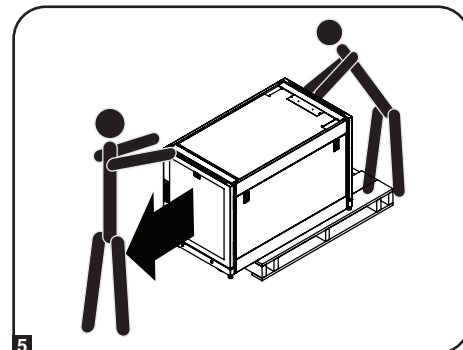
Installation de l'armoire

Déballage (suite)

4 Utiliser la clé ouverte de 13 mm pour retirer les pattes de fixation. Faire preuve d'extrême prudence, car l'armoire peut bouger accidentellement après le retrait des pattes. Conserver les pattes de fixation et leur visserie pour une utilisation ultérieure.



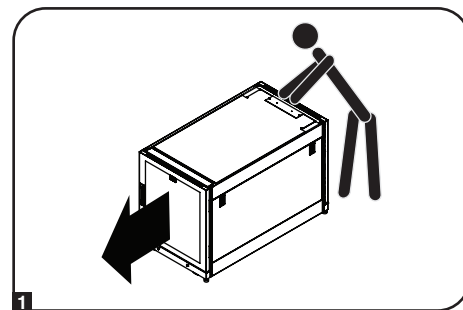
5 Placer au moins une personne à l'avant et une autre à l'arrière de l'armoire. Pousser lentement l'armoire vers l'arrière de la palette d'expédition jusqu'à ce que les quatre roulettes passent le bord de la palette et touchent le sol. **MISE EN GARDE : Avoir au moins l'aide d'un assistant lorsque l'armoire est retirée de la palette. Faire extrêmement attention en déplaçant l'armoire.**



Mise en place

1 Déplacer l'armoire sur ses roulettes sur une courte distance sur une surface horizontale, lisse et stable en la poussant par l'avant ou par l'arrière (pas par les panneaux latéraux). Ne pas essayer de déplacer l'armoire sur de longues distances. Il faut déplacer l'armoire près de l'emplacement de son installation dans le conteneur d'expédition avant de la déballer. (Utiliser un chariot élévateur ou une transpalette à main pour déplacer le conteneur d'expédition.)

MISE EN GARDE : Ne pas se servir des panneaux latéraux pour pousser ou tirer l'armoire et ne pas la tirer vers soi.

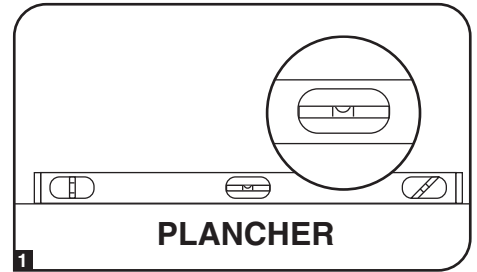


Installation de l'armoire

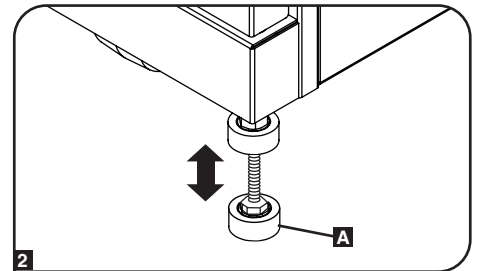
Mise à niveau

MISE EN GARDE : Mettre l'armoire à niveau avant d'installer l'équipement. Les roulettes ne sont pas conçues pour servir de support à long terme à l'armoire après l'installation finale. Utiliser les vérins de calage pour servir de support à long terme. Installer l'armoire dans une aire à structure solide dont le plancher de niveau est capable de supporter le poids de l'armoire, de tout l'équipement qui sera installé dans l'armoire et des autres armoires et équipements qui seront installés à proximité.

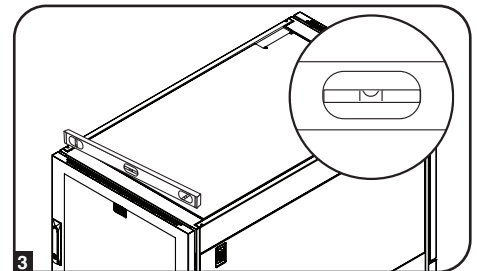
- 1 Une fois que l'armoire a été déplacée sur son emplacement d'installation, utiliser un niveau pour vérifier la pente du plancher. Si la pente est de plus de 1 %, choisir un autre site pour l'installation.



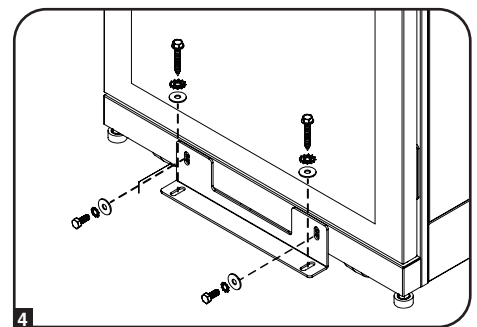
- 2 À l'aide de la clé ouverte de 13 mm, abaisser chaque vérin de calage **A** jusqu'à ce qu'il touche le sol. (Il y a quatre vérins, 2 à l'avant et 2 à l'arrière.) Veiller à ce que chaque vérin repose solidement sur le plancher. Note : Abaisser un vérin en le tournant dans le sens horaire; soulever un vérin en le tournant dans le sens antihoraire.



- 3 Après avoir abaissé chaque vérin de calage, vérifier à l'aide du niveau que l'armoire est de niveau dans toutes les directions. Ajuster les vérins jusqu'à ce que l'armoire soit de niveau.

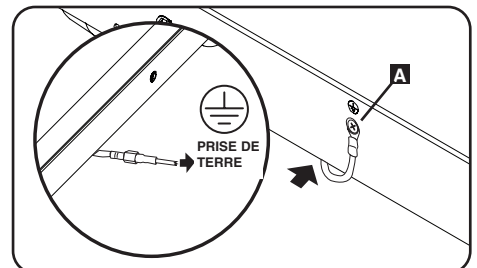


- 4 Pour retenir l'armoire à la structure du bâtiment pour fournir une stabilité, fixer les 2 supports d'expédition en utilisant la quincaillerie qui retenait le boîtier à la palette d'expédition. À l'aide de la clé ouverte de 13 mm, raccorder les pattes de fixation aux points de montage extérieurs **A** ou intérieurs **B** de l'armoire. Puis utiliser les pattes de fixation pour fixer ces points dans le plancher à l'aide de quincaillerie fournie par l'utilisateur ou du kit de boulonnage au sol SmartRack de Tripp Lite (modèle : SRBOLTDOWN).



Mise à la terre

Toutes les pièces de l'armoire sont mises à la masse à son bâti. Utiliser le point fileté avant ou arrière de mise à la terre **A** et une vis M6 (incluse) pour connecter le bâti de l'armoire directement à la prise de terre de votre installation avec un fil de calibre 8 AWG (3,264 mm). Faire passer le fil de mise à la terre sous le bâti de l'armoire afin que les portes puissent s'ouvrir. **MISE EN GARDE : Relier chaque armoire séparément à une prise de terre. Ne pas utiliser d'armoire sans prise de terre.**

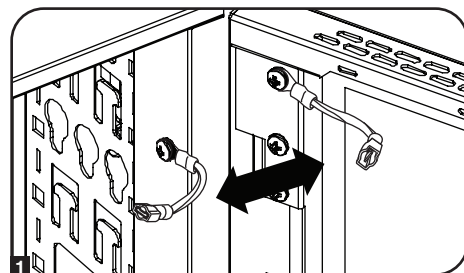


Configuration de l'armoire

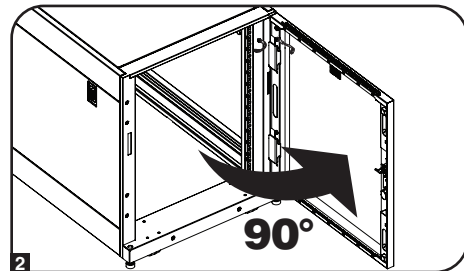
Poser ou enlever les portes avant et arrière

Enlèvement d'une porte

1 Déconnecter le fil de mise à la terre de la porte.



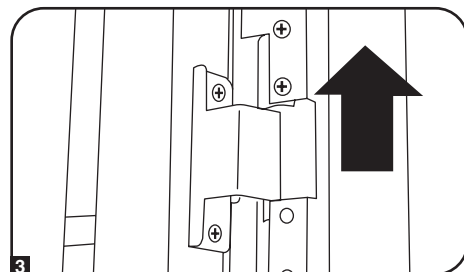
2 Ouvrir la porte perpendiculairement (90 degrés) à l'avant de l'armoire.



3 Sortir la porte de ses charnières en la soulevant et l'enlever de l'armoire.

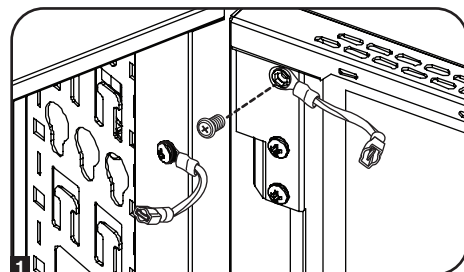
Pour reposer la porte, inverser les étapes 1 à 3

(facultatif) Si l'armoire est fixée à une autre, retourner la porte vers l'armoire quand vous la sortez de ses charnières.

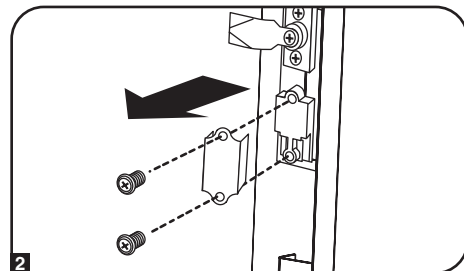


Inversion de les portes avant et arrière

1 Retirer la vis connectant le fil de mise à la terre à l'intérieur de la porte.



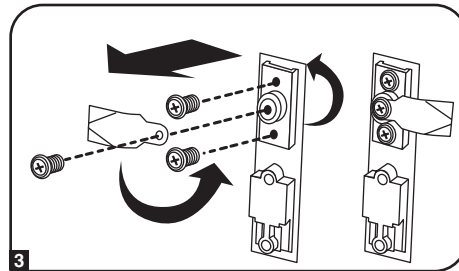
2 Retirer les deux vis fixant la poignée sur la porte. Retirer la poignée de la porte.



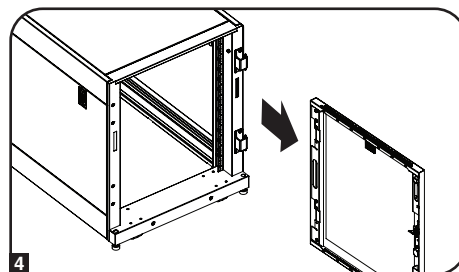
Configuration de l'armoire

Inversion de les portes avant et arrière (suite)

3 Retirer la vis et la rondelle de l'arrière de la poignée et retirer le mécanisme de verrouillage. Faire pivoter la rondelle du loquet à 90 degrés dans le sens antihoraire et inverser le loquet pour qu'il pointe dans la direction opposée; revisser le loquet à l'aide de la vis et de la rondelle à l'arrière de la poignée de la porte.

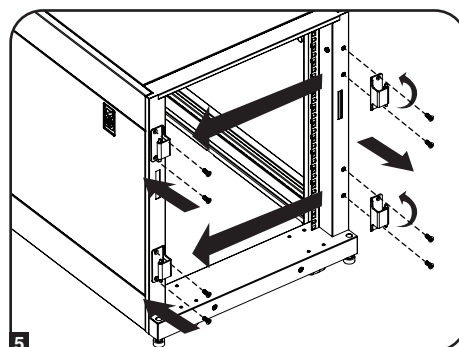


4 Retirer la porte selon les étapes du chapitre précédent.

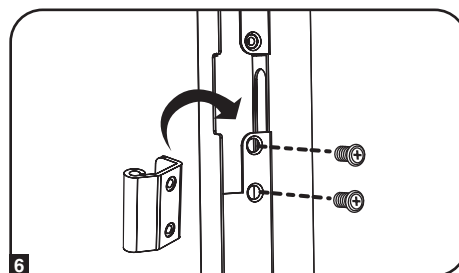


5 Retirer les charnières de l'armoire, les faire pivoter de 180 degrés et les fixer au côté opposé de l'armoire.

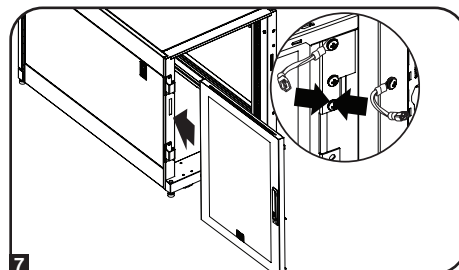
Remarque : Les trous de vis des autres points de fixation des charnières de la porte ont des bouchons de plastique. Retirer les bouchons et les introduire dans les points de fixation originaux des charnières de la porte.



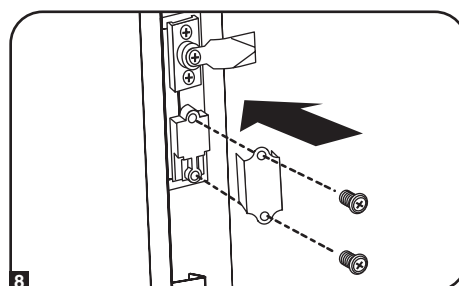
6 Dévisser les deux mécanismes de charnière des deux ouvertures de charnière à l'intérieur de la porte, puis les fixer à l'aide des trous de vis à l'opposé immédiat de leur position original.



7 Faire pivoter la porte de 180 degrés et la reposer sur l'armoire. Ne pas oublier de connecter le fil de mise à la terre à l'intérieur de la porte au point de fixation le plus proche de la charnière au sommet de la porte. Le point de fixation est marqué du symbole de la prise de terre : ⊕.



8 Reposer la poignée de la porte.

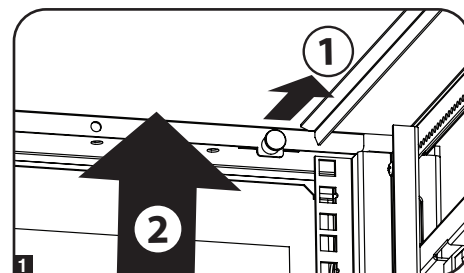


Configuration de l'armoire

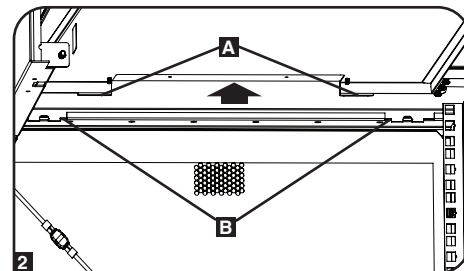
Pose et enlèvement du panneau supérieur

Enlèvement du panneau supérieur

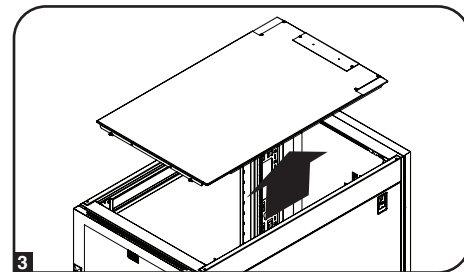
1 Tirer sur les 2 goupilles près de l'arrière du panneau supérieur. Tout en tenant les goupilles, pousser le panneau supérieur vers le haut.



2 Sortir les languettes du panneau **A** des fentes de fixation **B** du bâti de l'armoire.



3 Soulever le panneau hors de l'armoire.

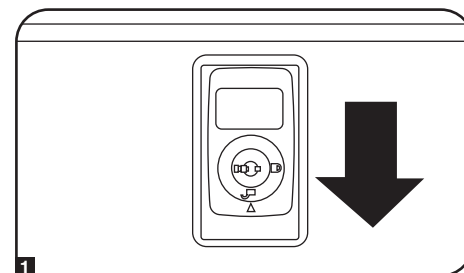


Pour reposer le panneau supérieur, inverser les étapes 1 à 3

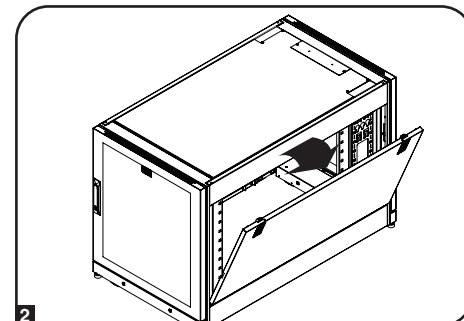
Pose et enlèvement des panneaux latéraux

Enlèvement d'un panneau latéral

1 Ouvrir le loquet en le faisant glisser vers le bas.



2 Incliner le sommet du panneau vers l'extérieur de l'armoire.

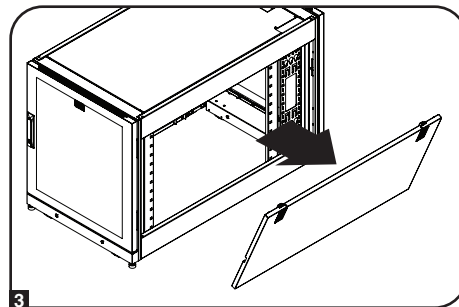


Configuration de l'armoire

Pose et enlèvement des panneaux latéraux (suite)

3 Soulever le panneau hors de l'entretoise qui le supporte.

Pour reposer le panneau latéral, inverser les étapes 1 à 3

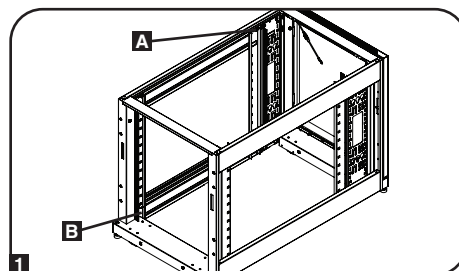


Ajustement des profilés de montage et des profilés pour les chemins de câbles

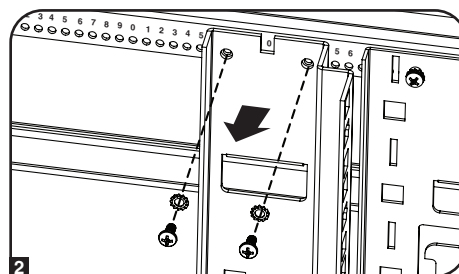
MISE EN GARDE : Ne pas essayer d'ajuster les profilés sans aide. Ne pas essayer d'ajuster les profilés pendant l'installation de l'équipement dans l'armoire. Ne pas essayer d'utiliser les profilés sans que les vis soient posées (4 par rail).

Les 4 profilés de montage sont préinstallés pour permettre l'installation de l'équipement dans une profondeur de 762 mm (30 po). Ne pas ajuster les profilés de montage sauf si votre équipement nécessite une profondeur différente. Les jeux de profilés avant et arrière peuvent être ajustés indépendamment par incréments de 6 mm (¼ po) pour des profondeurs entre 101,6 mm (4 po) et 1066,8 mm (42 po).

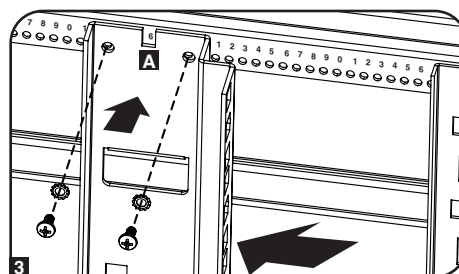
1 Chaque profilé est fixé à l'armoire par 6 vis - deux sur le profilé supérieur **A**, 2 sur le profilé central **B** et 2 sur le profilé inférieur **C**.



2 Retirer les vis fixant chacun des profilés de montage arrière à l'armoire. (Si l'ajustement des profilés avant est nécessaire, vous pouvez aussi retirer les vis de ceux-ci.)



3 Faire glisser les profilés de montage à la profondeur désirée et les fixer à nouveau à l'aide des vis retirées à l'étape 2. Les points de fixation des profilés sont numérotés **A** pour vous aider à aligner chaque paire de profilés à la même profondeur.

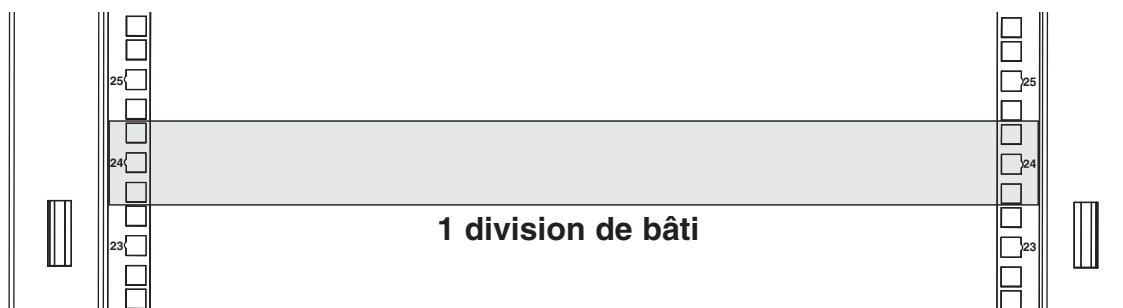


La même méthode permet d'ajuster la profondeur des 2 profilés pour les chemins de câbles.

Installation de l'équipement

MISE EN GARDE : Ne pas installer d'équipement avant d'avoir stabilisé l'armoire. Installer d'abord l'équipement lourd et à la base de l'armoire. Installer l'équipement en commençant à la base de l'armoire vers son sommet - jamais l'inverse. Si vous utilisez des rails glissières, faire attention lors de l'extension des rails. Ne pas ouvrir plus d'un jeu de rails glissières en même temps. Éviter d'ouvrir un jeu de rails glissières près du sommet de l'armoire.

Remarque : Les trous carrés au milieu de chaque division de bâti sont numérotés et disposent aussi d'une petite encoche pour aider à l'identification. Une seule division de bâti comprend l'espace occupé par le trou numéroté et les trous immédiatement au dessus et au dessous.



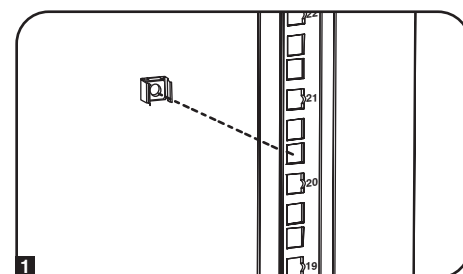
Installation ou enlèvement des écrous à cage

MISE EN GARDE : Les brides des écrous à cage doivent s'encaster dans les côtés de l'ouverture carrée dans le rail, pas au sommet ni à la base. Suivre les instructions de la documentation de votre équipement pour garantir sa bonne installation.

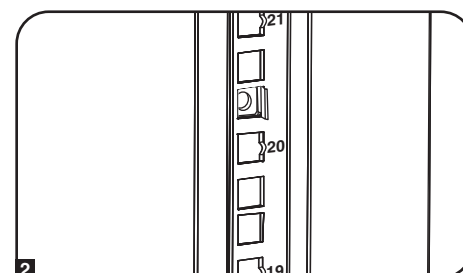
Installation des écrous à cage

- 1 Repérer les ouvertures carrées numérotées dans les profilés de montage où vous planifiez d'installer votre équipement. Vous poserez des écrous à cage (fournis) dans les ouvertures carrées afin de fournir un point de fixation pour les vis de montage (fournies).

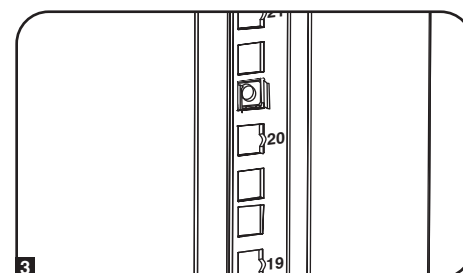
Remarque : Consulter la documentation de votre équipement pour savoir combien d'écrous à cage seront nécessaires et où ils devront être installés.



- 2 Depuis l'intérieur du profilé de montage, introduire une des brides de l'écrou à cage dans l'ouverture carrée. Appuyer la bride contre le côté de l'ouverture. Chaque bride doit s'encaster dans un des côtés de l'ouverture, pas au sommet ni à la base.

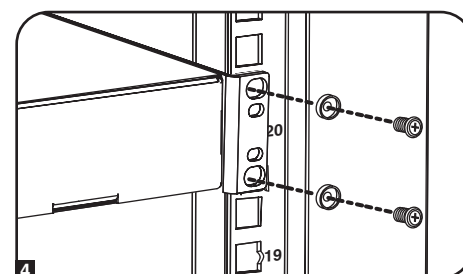


- 3 Comprimer légèrement les côtés de l'écrou à cage pour permettre à l'autre bride de s'engager dans l'ouverture. Quand l'écrou à cage est correctement posé, les deux brides vont dépasser de l'ouverture carrée et seront visibles à la surface extérieure du profilé de montage. Répéter les étapes 1 à 3 jusqu'à ce que tous les écrous à cage nécessaires soient posés.



- 4 Après la pose des écrous à cage, utiliser les vis de montage et les rondelles à collerette pour fixer l'équipement au profilé du bâti. Placer les rondelles à collerette entre les vis et les pattes de fixation de l'équipement.

Remarque : La quincaillerie de fixation peut aussi être jointe à votre équipement. Lire les instructions de montage jointes à votre équipement avant d'installer celui-ci.



Pour enlever les écrous à cage, inverser les étapes 1 à 3

Remarque : Vous pouvez utiliser un outil pour écrou à cage (fourni par l'utilisateur) afin d'aider à la pose et à l'enlèvement des écrous.

Caractéristiques techniques

Dimensions (H x l x P)	717 x 600 x 1 108 mm (28,23 x 23,62 x 43,62 po)
Poids de l'appareil	53,5 kg (118 lb)
Capacité de charge	454 kg (1 000 lb) stationnaire ou sur roulettes

Entreposage et entretien

Entreposage

Cette armoire doit être entreposée dans un environnement intérieur contrôlé, à l'abri de l'humidité, des températures extrêmes, des liquides et des gaz inflammables, de contaminants conducteurs, de la poussière et de la lumière directe du soleil. Entreposer l'armoire dans son conteneur d'expédition original si possible.

Entretien

Votre produit Tripp Lite est couvert par la garantie décrite dans ce manuel. Une variété de garanties prolongées et de programmes de service sur place sont également disponibles chez Tripp Lite. Pour plus de renseignements sur le service, visitez tripplite.com/support. Avant de retourner votre produit pour entretien ou réparation, suivez les étapes suivantes :

1. Relisez les directives d'installation et de fonctionnement de ce manuel afin de vous assurer que le problème n'a pas pour origine une mauvaise lecture des directives.
2. Si le problème persiste, ne pas communiquer ou renvoyer le produit au vendeur. À la place, visitez tripplite.com/support.
3. Si le problème nécessite une réparation, visitez tripplite.com/support et cliquez sur le lien Product Returns (retour du produit). De cet endroit, vous pouvez demander un numéro d'autorisation de retour de matériel (RMA) qui est exigé pour une réparation. Ce formulaire en ligne simple vous demandera le numéro de modèle et le numéro de série de votre unité ainsi que d'autres renseignements généraux concernant l'acheteur. Le numéro RMA, ainsi que les instructions concernant le transport vous seront acheminées par courriel. Tout dommage (direct, indirect, spécial ou fortuit) survenu au produit pendant le transport à Tripp Lite ou à un centre de service autorisé Tripp Lite est exclu de la garantie. Les produits expédiés à Tripp Lite ou à un centre de service autorisé doivent être prépayés. Inscrire le numéro RMA sur le paquet. Si le produit est encore couvert par la garantie de deux ans, joindre une copie de votre facture d'achat. Retourner le produit pour réparation par un transporteur assuré à l'adresse qui vous a été donnée lorsque vous avez demandé le RMA.

Garantie

Garantie limitée de 5 ans.


Le vendeur garantit que, s'il a été utilisé selon les directives applicables, ce produit est exempt de tout défaut initial de matériel et de fabrication pendant une période de 5 ans à dater de l'achat initial. Si le produit s'avère défectueux sur le plan matériel ou de la fabrication durant cette période, le vendeur le réparera ou le remplacera, gratuitement.

CETTE GARANTIE NE S'APPLIQUE PAS À L'USURE NORMALE OU AUX DOMMAGES DUS À UN ACCIDENT, UNE MAUVAISE UTILISATION, UN ABUS OU UNE NÉGLIGENCE. LE VENDEUR N'ACCORDE AUCUNE GARANTIE EXPRESSE AUTRE QUE CELLE CONTENUE DANS LES DISPOSITIONS CI-DESSUS. SAUF DISPOSITIONS CONTRAIRES PRÉVUES PAR LA LOI, TOUTES LES GARANTIES IMPLICITES, Y COMPRIS LES GARANTIES DE QUALITÉ COMMERCIALE ET D'ADAPTATION À UN USAGE PARTICULIER, SONT LIMITÉES À LA PÉRIODE DE GARANTIE PRÉCITÉE. CETTE GARANTIE EXCLUT EXPRESSÉMENT LES DOMMAGES ACCESSOIRES ET INDIRECTS. (Certains états n'autorisent pas les restrictions de la durée d'une garantie implicite et d'autres n'autorisent pas l'exclusion ni la restriction des dommages accessoires ou indirects, de sorte que ces restrictions ou exclusions pourraient ne pas s'appliquer à vous. Cette garantie vous donne des droits légaux spécifiques et vous pouvez aussi posséder d'autres droits qui varient d'une juridiction à l'autre.)

MISE EN GARDE : L'utilisateur individuel doit prendre soin de déterminer avant l'usage si cet appareil est convenable, adéquat et sûr pour l'usage prévu. Étant donné que les applications individuelles varient énormément, le fabricant ne fait aucune déclaration, ni ne donne aucune garantie quant à la convenance de ces appareils à une application particulière.

La politique de Tripp Lite est celle d'une amélioration continue. Les spécifications peuvent être modifiées sans préavis. Les produits réels peuvent différer légèrement des photos et des illustrations.

Note sur l'étiquetage

Ce symbole est utilisé sur le produit :  Mise à la terre



Руководство пользователя

Шкаф высотой 14U серии SmartRack®

Модель: SR14UBDP

(Номер серии: AG-037D)

Важные указания по технике безопасности	38
Краткое описание	38
Схема расположения функциональных элементов	39
Порядок установки шкафа	40
Подготовка	40
Распаковка	40
Размещение	41
Выравнивание	42
Заземление	42
Компоновка шкафа	43
Установка/снятие передней и задней дверец	43
Перестановка передней и задней дверец	43
Установка/снятие верхней панели	45
Установка/снятие боковых панелей	45
Регулировка монтажных и кабельных направляющих	46
Установка оборудования	47
Установка или снятие закладных гаек	47
Технические характеристики	48
Хранение и техническое обслуживание	48
Гарантия и регистрация изделия	48
English	1
Español	13
Français	25

EAC

TRIPP·LITE



Продукция высшего качества.

1111 W. 35th Street, Chicago, IL 60609 USA • triplite.com/support

Охраняется авторским правом © 2022 Tripp Lite. Все торговые знаки являются исключительной собственностью своих соответствующих владельцев.



СОХРАНИТЕ НАСТОЯЩИЕ УКАЗАНИЯ

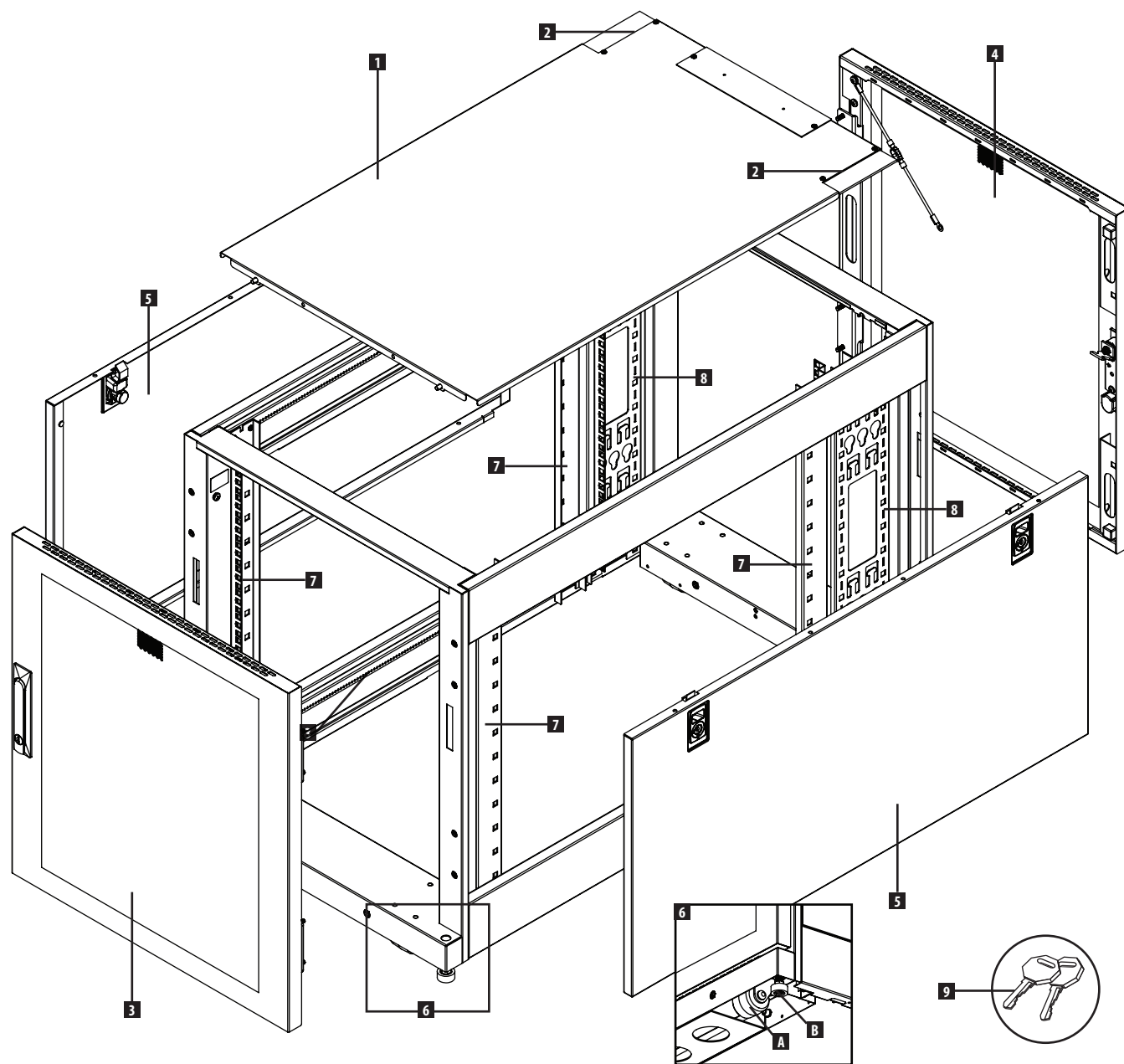
Во всех разделах настоящего руководства содержатся указания и предупреждения, которые необходимо соблюдать в процессе установки и эксплуатации описанных в нем шкафов серии SmartRack. Внимательно ознакомьтесь со всеми указаниями и предупреждениями перед выполнением любых действий, связанных с перемещением, установкой или эксплуатацией шкафов серии SmartRack, описанных в настоящем руководстве. Несоблюдение данного требования создаст опасность получения травм или возникновения имущественного ущерба и может привести к аннулированию гарантии.

- Шкаф должен находиться в помещении с контролируемым микроклиматом вдали от источников влаги, экстремальных температур, воспламеняющихся жидкостей и газов, электропроводных загрязнителей, пыли и прямого солнечного света.
- Перед шкафом и позади него необходимо обеспечить достаточно свободного пространства для его надлежащего проветривания. Не загромождайте и не накрывайте внешние вентиляционные отверстия шкафа, а также не вставляйте в них какие-либо предметы.
- Шкаф является крайне тяжеловесным. При перемещении шкафа соблюдайте осторожность. Не пытайтесь распаковывать, перемещать или устанавливать его в одиночку. Для перемещения шкафа внутри транспортировочного контейнера используйте механическое устройство типа вилочного погрузчика или вилочной гидравлической тележки.
- Не кладите на шкаф какие-либо предметы, особенно емкости с жидкостями, а также не устанавливайте шкафы друг на друга.
- Осмотрите транспортировочный контейнер и шкаф на предмет наличия повреждений, полученных при транспортировке. Не пользуйтесь шкафом в случае его повреждения.
- Не извлекайте шкаф из транспортировочного контейнера до его перемещения на максимально близкое расстояние к месту окончательной установки. Ролики предназначены только для незначительных корректировок положения на месте окончательной установки. Ролики не рассчитаны на перемещение шкафа на большие расстояния.
- Ролики также не рассчитаны на долговременное использование в качестве опоры для шкафа после его окончательной установки. В качестве долговременной опоры используйте приспособления для выравнивания.
- Шкаф должен быть установлен в конструкционно прочном месте с ровным основанием, способным выдерживать вес самого шкафа, всего оборудования, которое будет установлено внутри него, а также любых других шкафов и/или оборудования, которые будут установлены вблизи него.
- Прочно установите шкаф на строительную конструкцию с помощью транспортировочных кронштейнов, как показано на рисунке в разделе Установка шкафа данного руководства.
- При перемещении шкафа не следует толкать его со стороны боковых панелей. При толкании корпуса со стороны боковых панелей существует опасность его опрокидывания.
- При перекачивании шкафа на роликах обязательно толкайте его сзади и ни в коем случае не тяните на себя.
- Перекачивание шкафа без надлежащего контроля может привести к причинению травм или имущественного ущерба. При необходимости скатывания шкафа вниз по наклонной плоскости соблюдайте предельную осторожность. Не пользуйтесь наклонными плоскостями с уклоном круче 1:12.
- При разрезании упаковочных материалов соблюдайте осторожность. Это может привести к нанесению царапин на поверхность шкафа, что представляет собой ущерб, не покрываемый действующей гарантией.
- Сохраняйте все упаковочные материалы для последующего использования. Повторная упаковка и транспортировка шкафа без использования оригинальных упаковочных материалов может привести к повреждению изделия, которое повлечет за собой аннулирование действующей гарантии.
- **ОПАСНОСТЬ: ВО ИЗБЕЖАНИЕ ПОТЕРИ УСТОЙЧИВОСТИ УСТАНОВКА ШКАФОВ ДОЛЖНА ПРОИЗВОДИТЬСЯ ТОЛЬКО КВАЛИФИЦИРОВАННЫМ СЕРВИСНЫМ ПЕРСОНАЛОМ.**
- Не рекомендуется использование данного оборудования в системах жизнеобеспечения, где его выход из строя предположительно может привести к перебоям в работе оборудования жизнеобеспечения или в значительной мере снизить его безопасность или эффективность.

Краткое описание

Шкаф мод. SR14UBDP серии SmartRack вмещает в себя все стандартное 19-дюймовое оборудование независимо от его производителя и поставляется полностью в сборе для обеспечения скорости и легкости ввода в эксплуатацию. Модель SR14UBDP позволяет варьировать монтажную глубину, благодаря чему она идеально подходит для серверов. Кроме того, шкаф мод. SR14UBDP комплектуется быстроразъемными запирающимися дверцами и боковыми панелями для удобства технического обслуживания. Передние и задние дверцы могут навешиваться на любую сторону, что обеспечивает универсальность установки.

Схема расположения функциональных элементов



- 1** Верхняя панель
- 2** Панели для прохода кабелей с щеточным уплотнителем
- 3** Запираемая передняя дверца
- 4** Запираемая задняя дверца
- 5** Запираемые боковые панели
- 6** Ролики **A** и регулировочные ножки **B**
- 7** Монтажные направляющие (с точками крепления для горизонтального и вертикального монтажа оборудования).
- 8** Направляющие для оптимизации кабельных соединений
- 9** Ключи (один для дверец и один для боковых панелей).

На иллюстрации не представлены: монтажная оснастка, документация, транспортировочные кронштейны и другие транспортировочные материалы.

Порядок установки шкафа



Внимание! Перед установкой внимательно ознакомьтесь со всеми указаниями и предупреждениями!



ВНИМАНИЕ! Шкаф является крайне тяжеловесным. Не пытайтесь распаковывать, перемещать или устанавливать шкаф в одиночку. До момента надлежащей установки и уравновешивания шкафа существует опасность его опрокидывания с возможным причинением травм и/или имущественного ущерба. Будьте предельно осторожны при перемещении шкафа и обязательно следуйте всем указаниям по обращению со шкафом и его установке. Не производите установку оборудования в шкаф до полного обеспечения его устойчивости.

Подготовка

Шкаф должен быть установлен в конструкционно прочном месте с ровным основанием, способным выдерживать вес самого шкафа, всего оборудования, которое будет установлено внутри него, а также любых других шкафов и/или оборудования, которые будут установлены вблизи него. Перед распаковкой шкафа следует доставить транспортировочный контейнер как можно ближе к месту окончательной установки с целью минимизации расстояния, на которое потребуется перемещать модуль после снятия защитной упаковки. Если вы планируете хранение шкафа в течение длительного периода времени до или после установки, следуйте указаниям, изложенным в разделе **Хранение и техническое обслуживание**.

Вам потребуются несколько инструментов (в комплект поставки не входят):

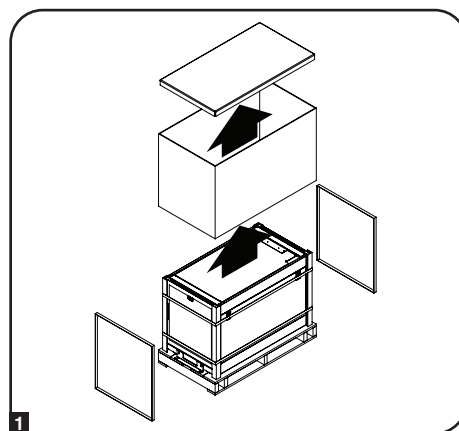
- Ключ гаечный рожковый на 13 мм
- Ключ гаечный рожковый на 18 мм
- Универсальный нож
- Строительный уровень
- Крестообразная отвертка
- Торцевой ключ 5/32"

Кроме того, потребуется следующая оснастка (поставляется в комплекте):

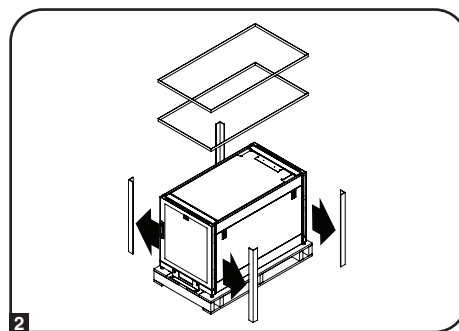
- Винты крепежные с крестообразным шлицем (M6 x 5/8") – 60 шт.
- Гайки закладные (M6) – 60 шт.
- Шайбы чашеобразные нейлоновые – 60 шт.

Распаковка

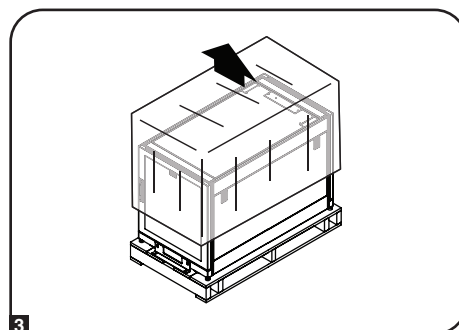
1 Убедитесь в том, что транспортировочный контейнер находится в вертикальном и устойчивом положении. При помощи ножниц разрежьте ленты, которые крепят картон к модулю. Снимите картон. Упаковочные материалы подлежат вторичной переработке.



2 После снятия внешней картонной упаковки разрежьте с помощью ножниц ленты, фиксирующие угловые амортизаторы. Снимите угловые амортизаторы. Сохраните все упаковочные материалы (включая поддон) для последующего использования, если вы не убеждены в том, что они более не потребуются. Упаковочные материалы подлежат вторичной переработке.



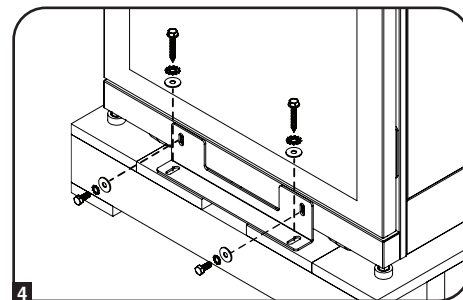
3 Снимите со шкафа плотный полиэтиленовый мешок. Осмотрите шкаф на предмет наличия каких-либо повреждений или незакрепленных деталей. Убедитесь в наличии всех деталей. В случае отсутствия или повреждения каких-либо деталей обратитесь за помощью в компанию Tripp Lite. Не пользуйтесь шкафом в случае его повреждения.



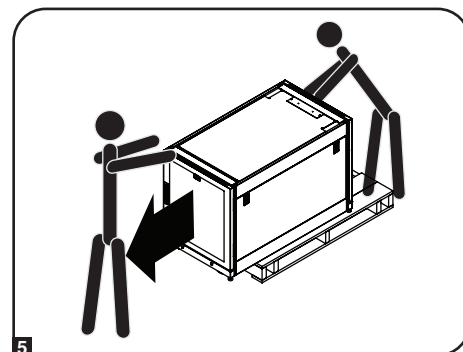
Порядок установки шкафа

Распаковка (продолжение)

4 Снимите транспортировочные кронштейны с помощью рожкового гаечного ключа на 13 мм. Соблюдайте предельную осторожность, поскольку после снятия кронштейна возможно непредвиденное перемещение шкафа. Сохраните кронштейны и детали для их крепления с целью последующего использования.

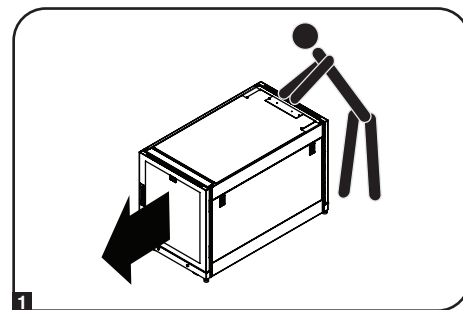


5 По меньшей мере один человек должен находиться перед шкафом и один человек — позади него. Медленно толкайте шкаф в сторону задней части транспортировочного поддона до тех пор, пока все четыре ролика не выйдут за край поддона и не коснутся пола. **ВНИМАНИЕ!** Для снятия шкафа с поддона требуется не менее двух человек. При перемещении шкафа соблюдайте предельную осторожность.



Размещение

1 Ролики предназначены для перемещения шкафа на короткое расстояние по ровной, гладкой и устойчивой поверхности путем толкания последнего спереди или сзади (не со стороны боковых панелей). Не перекатывайте шкаф на длинные расстояния. Шкаф следует доставить как можно ближе к месту его установки внутри транспортировочного контейнера в упакованном виде. (Для перемещения транспортировочного контейнера используйте вилочный погрузчик или вилочную гидравлическую тележку). **ВНИМАНИЕ!** Не толкайте и не тяните шкаф со стороны боковых панелей, а также не тяните его на себя.

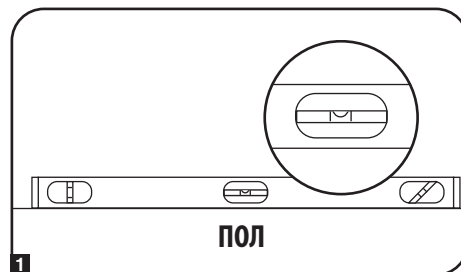


Порядок установки шкафа

Выравнивание

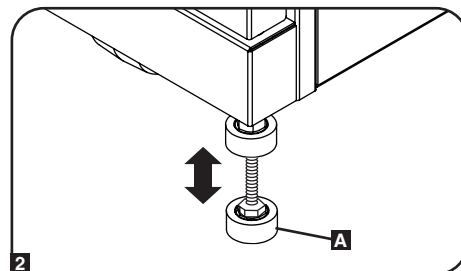
ВНИМАНИЕ! Выровняйте шкаф перед установкой в него оборудования. Ролики также не рассчитаны на долговременное использование в качестве опоры для шкафа. В качестве долговременной опоры используйте приспособления для выравнивания. Шкаф должен быть установлен в конструкционно прочном месте с ровным основанием, способным выдерживать вес самого шкафа, всего оборудования, которое будет установлено внутри него, а также любых других шкафов и/или оборудования, которые будут установлены вблизи него.

- 1 После перемещения шкафа к месту установки проверьте уклон пола с помощью строительного уровня. Если уклон пола превышает 1%, выберите для установки другое место.

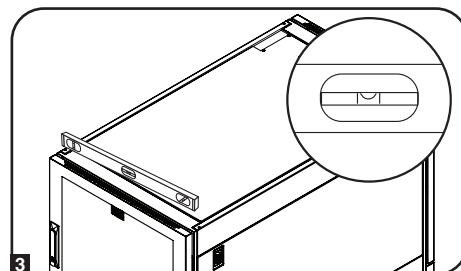


- 2 При помощи рожкового ключа на 18 мм выверните каждое приспособление для выравнивания **A** до его соприкосновения с полом. (Шкаф имеет 4 приспособления для выравнивания – по 2 спереди и сзади). Убедитесь в том, что каждое из них плотно соприкасается с полом.

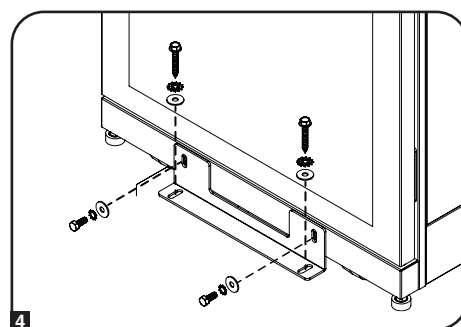
Примечание Для вывертывания (опускания) приспособления для выравнивания его следует вращать по часовой стрелке, а для заворачивания (поднимания) – против часовой стрелки.



- 3 После вывертывания каждого приспособления для выравнивания проверьте с помощью строительного уровня, чтобы шкаф располагался ровно во всех направлениях. Регулируйте высоту приспособлений для выравнивания по мере необходимости до тех пор, пока шкаф не будет установлен ровно.

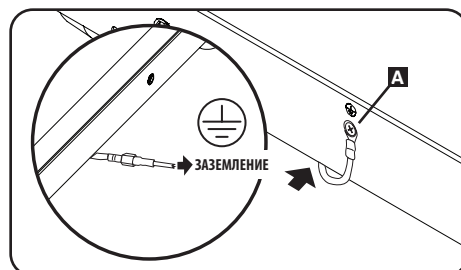


- 4 Для крепления шкафа к строительной конструкции с целью обеспечения устойчивости прикрепите 3 транспортировочных кронштейна с помощью крепежных приспособлений, использовавшихся для крепления шкафа к транспортировочному поддону. С помощью рожкового ключа на 13 мм закрепите кронштейны во внешних **A** или внутренних **B** точках крепления кронштейнов к шкафу. Закрепите кронштейны в точках монтажного крепления к полу при помощи оснастки (в комплект не входит) или предлагаемого компанией Tripp Lite комплекта для крепления шкафов SmartRack к полу (модель: SRBOLTDOWN)



Заземление

Все детали шкафа заземляются через его каркас. Для прямого соединения каркаса шкафа с шиной заземления вашего объекта с помощью провода калибром 8 AWG (3,264 мм) следует использовать переднюю или заднюю точку заземления **A** и винт M6 (поставляемый в комплекте). Для обеспечения беспрепятственного открывания и закрывания дверцы проведите заземляющий провод под каркасом шкафа. **ВНИМАНИЕ!** Каждый шкаф должен подсоединяться к шине заземления по отдельности. Пользование незаземленным шкафом не допускается.

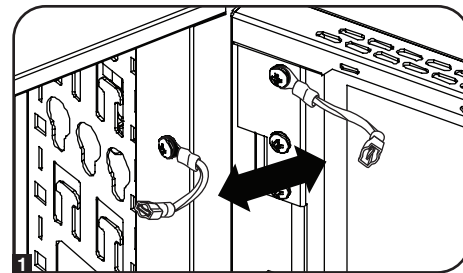


Компоновка шкафа

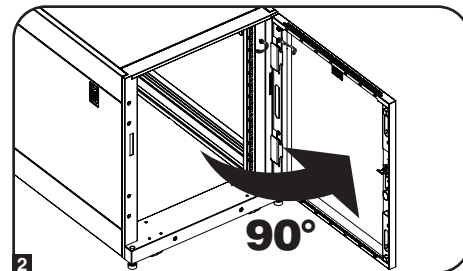
Установка/снятие передней и задней дверец

Снятие дверцы

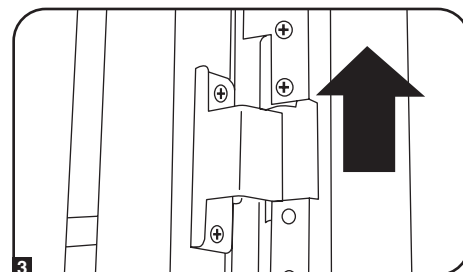
1 Отсоедините провод заземления дверцы.



2 Откройте дверцу до того положения, в котором она окажется перпендикулярной (под углом 90 градусов к) передней плоскости шкафа.



3 Поднимите дверцу и снимите ее с петель шкафа.

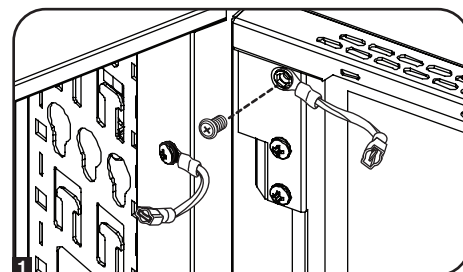


Для установки дверцы на место следует повторить шаги 1-3 в обратном порядке

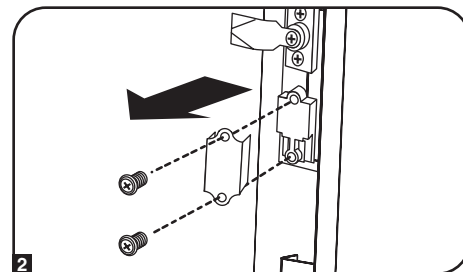
(Опционально) Если этот шкаф соединен с другим шкафом, поверните дверцу обратно в сторону шкафа при ее снятии с петель.

Перестановка передней и задней дверец

1 Выверните винт, соединяющий провод заземления с внутренней поверхностью дверцы.



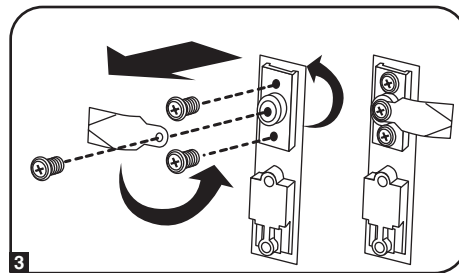
2 Выверните 2 винта, обеспечивающие крепление дверной ручки к дверце. Снимите дверную ручку.



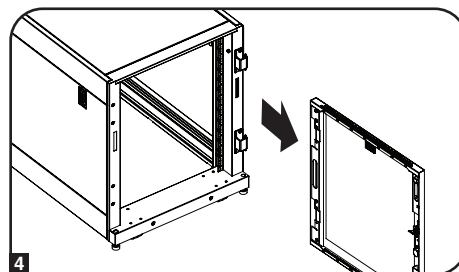
Компоновка шкафа

Перестановка передней и задней дверец (продолжение)

3 Выверните винт и снимите шайбу с тыльной стороны дверной ручки, после чего выньте запорный механизм. Поверните шайбу запорного механизма на 90 градусов против часовой стрелки и разверните защелку таким образом, чтобы она была обращена в противоположную сторону, а затем с помощью винта и шайбы прикрепите защелку обратно к тыльной стороне дверной ручки.

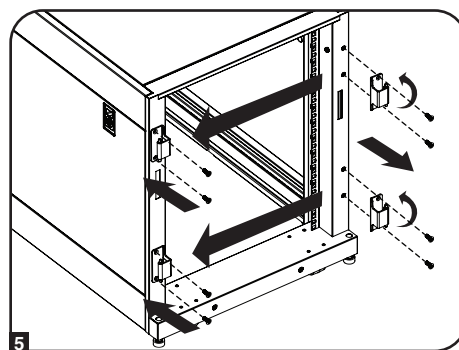


4 Снимите дверцу в порядке, изложенном в предыдущем разделе.

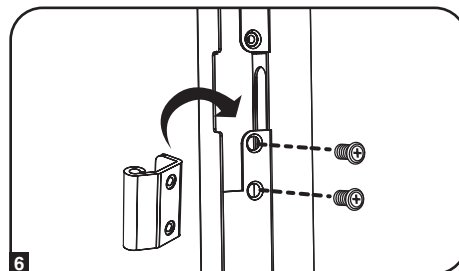


5 Снимите дверные петли со шкафа, разверните их на 180 градусов и закрепите на противоположной стороне шкафа.

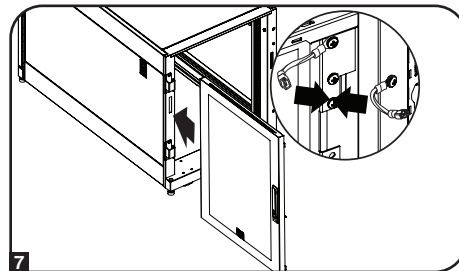
Примечание. В точках крепления дверных петель на противоположной стороне находятся пластмассовые заглушки, вставленные в резьбовые отверстия. Выньте заглушки и вставьте их в отверстия, первоначально использовавшиеся для крепления дверных петель.



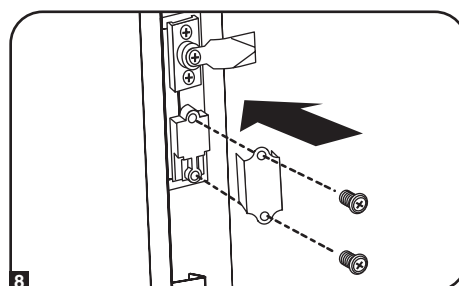
6 Выверните 2 петлевых механизма из петлевых пазов с внутренней стороны дверцы и закрепите каждый из них, используя для этой цели группу резьбовых отверстий, расположенную непосредственно напротив тех, которые использовались первоначально.



7 Разверните дверцу на 180 градусов и установите ее обратно на шкаф. Не забудьте подсоединить провод заземления к внутренней поверхности дверцы в точке крепления, расположенной ближе всех к петле в верхней части дверцы. Эта точка крепления обозначена символом заземляющего соединения: ⊕.



8 Установите на место дверную ручку.

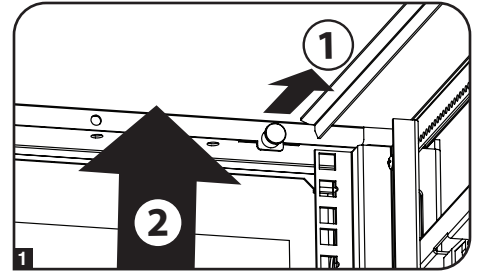


Компоновка шкафа

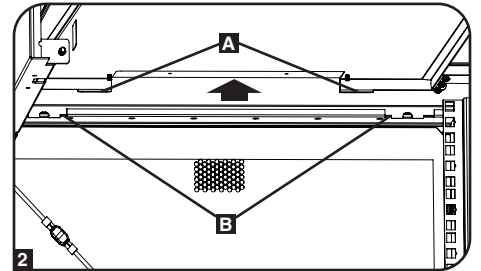
Установка/снятие верхней панели

Снятие верхней панели

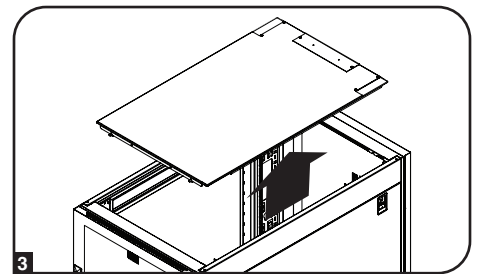
1 Потяните на себя 2 штифта, расположенные в задней части верхней панели. Удерживая штифты, вытолкните верхнюю панель по направлению вверх.



2 Выньте язычки верхней панели **A** из ее монтажных пазов **B** в каркасе шкафа.



3 Снимите верхнюю панель со шкафа.

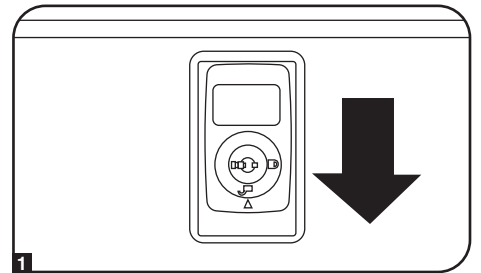


Для установки верхней панели на место следует повторить шаги 1-3 в обратном порядке

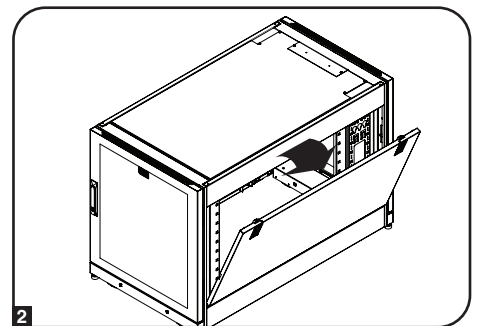
Установка/снятие боковых панелей

Снятие боковой панели

1 Откройте защелку, сдвинув ее по направлению вниз.



2 Наклоните верхнюю часть панели по направлению от шкафа.

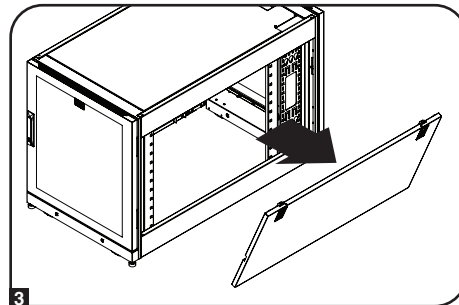


Компоновка шкафа

Установка/снятие боковых панелей (продолжение)

3 Выньте панель из фиксатора.

Для установки боковой панели на место следует повторить шаги 1-3 в обратном порядке

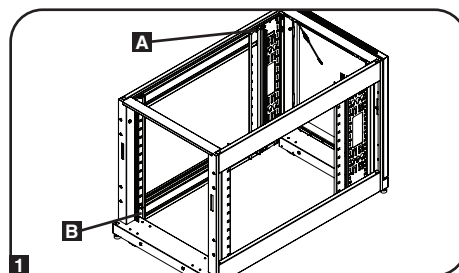


Регулировка монтажных и кабельных направляющих

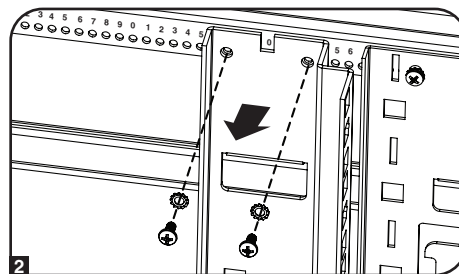
ВНИМАНИЕ! Не пытайтесь регулировать направляющие в одиночку. Не пытайтесь регулировать направляющие при установленном в шкаф оборудовании. Не пытайтесь использовать направляющие без установки винтов (по 4 на каждую направляющую).

4 монтажные направляющие устанавливаются на заводе-изготовителе и рассчитаны на размещение оборудования с монтажной глубиной 30" (762 мм). Не регулируйте монтажные направляющие за исключением тех случаев, когда для устанавливаемого вами оборудования требуется другая монтажная глубина. Передняя и задняя группы направляющих могут регулироваться независимо друг от друга с шагом 6 мм для получения глубины монтажа от 101,6 до 1066,8 мм.

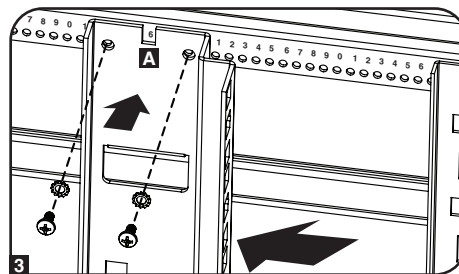
1 Каждая направляющая крепится к шкафу при помощи 6 винтов: 1 пары у верхней балки **A**, 1 пары у средней балки **B** и 1 пары у нижней балки **C**.



2 Выверните винты, которыми каждая из задних монтажных направляющих крепится к шкафу. (При необходимости регулировки передних направляющих вы также можете вывернуть винты, отвечающие за их крепление).



3 Сдвиньте монтажные направляющие на желаемую глубину и снова закрепите их с помощью винтов, вывернутых на Шаге 2. Точки крепления направляющих имеют обозначение **A**, что поможет вам установить каждую пару направляющих на одной и той же глубине.

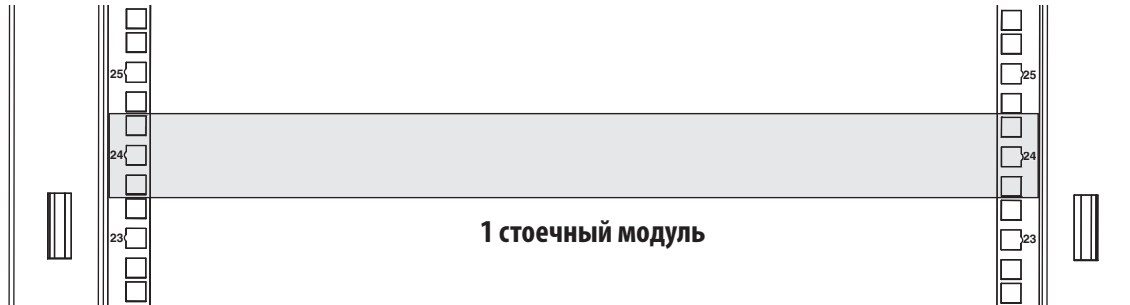


Глубина установки 2 направляющих для оптимизации кабельных соединений регулируется аналогичным образом.

Установка оборудования

ВНИМАНИЕ! Не устанавливайте оборудование до обеспечения устойчивости шкафа. Сначала установите оборудование, которое следует разместить в нижней части шкафа. Устанавливайте оборудование начиная с низа шкафа по направлению вверх — и ни в коем случае не наоборот. При использовании направляющих для установки оборудования соблюдайте осторожность при их выдвигении. Не выдвигайте более одной группы направляющих одновременно. Старайтесь не выдвигать направляющие для установки оборудования, расположенные в верхней части шкафа.

Примечание. Квадратные отверстия в середине каждого шкафа пронумерованы и имеют небольшую надсечку для удобства распознавания. В каждом отдельном шкафу имеется место, где располагается нумерованное отверстие и отверстия, находящиеся непосредственно над и под ним.



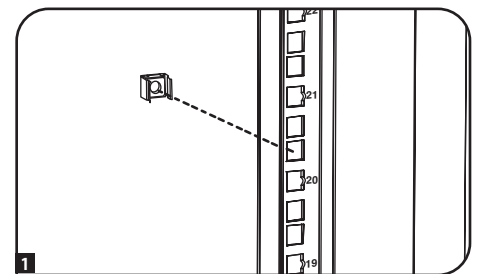
Установка или снятие закладных гаек

ВНИМАНИЕ! Отгибы кромок закладных гаек должны зацепляться за боковые, а не верхний и нижний края квадратного отверстия в направляющей. Для обеспечения правильности установки оборудования следуйте указаниям, изложенным в сопроводительной документации к нему.

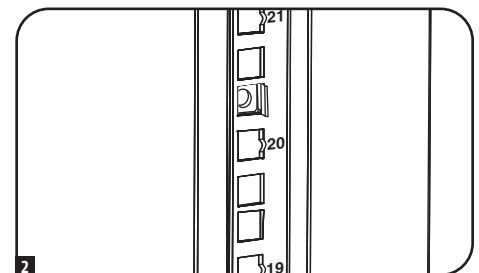
Установка закладных гаек

- 1 Найдите нумерованные квадратные отверстия в монтажных направляющих, которые планируется использовать для установки оборудования. Вставьте закладные гайки (из комплекта) в квадратные отверстия с целью обеспечения точки крепления для монтажных винтов (поставляемых в комплекте).

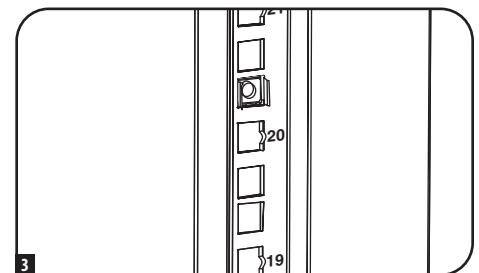
Примечание. Для определения необходимого количества закладных гаек и мест их установки ознакомьтесь с сопроводительной документацией к своему оборудованию.



- 2 Проденьте один из отгибов кромки закладной гайки через квадратное отверстие с внутренней стороны монтажной направляющей. Вдавите ее по направлению к боковому краю квадратного отверстия. Отгибы кромок закладных гаек должны зацепляться за боковые, а не верхний или нижний края квадратного отверстия.

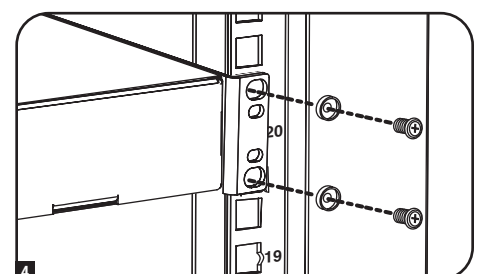


- 3 Слегка надавите на закладную гайку по бокам, что позволит другому отгибу кромки пройти через квадратное отверстие. При правильной установке закладной гайки оба отгиба ее кромок выдаются с обратной стороны квадратного отверстия и видны на внешней поверхности монтажной направляющей. Повторяйте шаги 1-3 до тех пор, пока не будут установлены все необходимые закладные гайки.



- 4 После установки необходимых закладных гаек прикрепите свое оборудование к стоечной направляющей с помощью монтажных винтов и чашеобразных шайб из комплекта. Поместите чашеобразные шайбы между винтами и монтажными кронштейнами для крепления оборудования.

Примечание. В комплект поставки вашего оборудования могут также входить монтажные приспособления. Перед установкой своего оборудования ознакомьтесь с указаниями по монтажу, поставляемыми в комплекте с ним.



Для извлечения закладных гаек повторите шаги 1-3 в обратном порядке

Примечание. При желании установку и извлечение закладных гаек можно производить с помощью специального инструмента (в комплект поставки не входит).

Технические характеристики

Размеры (В x Ш x Г)	717 x 600 x 1108 мм
Вес модуля	53,5 кг
Допустимая нагрузка	454 кг (с закрепленным или выдвигаемым оборудованием)

Хранение и техническое обслуживание

Хранение

Корпус должен храниться в помещении с контролируемым микроклиматом вдали от источников влаги, экстремальных температур, воспламеняющихся жидкостей и газов, электропроводных загрязнителей, пыли и прямого солнечного света. По возможности храните шкаф в его заводской транспортной упаковке.

Техническое обслуживание

На приобретенное вами изделие марки Tripp Lite распространяется действие гарантии, условия которой изложены в настоящем руководстве. Кроме того, компания Tripp Lite предлагает ряд Программ расширенной гарантии и обслуживания на объекте. Более подробная информация о техническом обслуживании изложена на странице tripplite.com/support. Перед возвратом своего изделия в целях технического обслуживания просьба выполнить следующие действия:

1. Внимательно изучите порядок монтажа и эксплуатации устройства, приведенный в настоящем руководстве, во избежание проблем, которые могут возникнуть в ходе работы из-за неправильного понимания приведенных в руководстве указаний.
2. Если проблему решить не удалось, не обращайтесь к продавцу и не возвращайте изделие ему. В этом случае посетите интернет-страницу по адресу: tripplite.com/support.
3. Если возникшая проблема требует проведения ремонта или технического обслуживания, зайдите на страницу tripplite.com/support и нажмите на ссылку Product Returns (Возврат изделий). Здесь вы можете запросить номер Returned Material Authorization (RMA) (разрешение на возврат материалов), который необходим для проведения технического обслуживания. Для заполнения этой простой онлайн-формы потребуется указать номер модели и серийный номер вашего изделия, а также общие сведения о покупателе. Номер RMA вместе с указаниями по транспортировке будет направлен вам по электронной почте. На какие бы то ни было убытки (прямые, косвенные, последующие или вызванные особыми обстоятельствами), связанные с транспортировкой изделия в адрес компании Tripp Lite или ее уполномоченного сервисного центра, действие гарантии не распространяется. Стоимость транспортировки изделий в адрес компании Tripp Lite или ее уполномоченного сервисного центра должна быть оплачена авансом. Номер RMA должен быть указан на внешней стороне упаковки. Если возврат изделия производится в период действия гарантии, то необходимо приложить копию товарного чека продавца. Возврат изделия для проведения ремонта или технического обслуживания должен производиться застрахованным перевозчиком по адресу, указанному в ответе на ваш запрос номера RMA.

Технические характеристики

Условия 5-летней ограниченной гарантии


Продавец гарантирует отсутствие изначальных дефектов материала или изготовления в течение 5 лет с момента первоначальной покупки данного изделия при условии его использования в соответствии со всеми применимыми к нему указаниями. В случае проявления каких-либо дефектов материала или изготовления в течение указанного периода Продавец осуществляет ремонт или замену данного изделия исключительно по своему усмотрению.

ДЕЙСТВИЕ НАСТОЯЩЕЙ ГАРАНТИИ НЕ РАСПРОСТРАНЯЕТСЯ НА СЛУЧАИ ЕСТЕСТВЕННОГО ИЗНОСА ИЛИ ПОВРЕЖДЕНИЯ В РЕЗУЛЬТАТЕ АВАРИИ, НЕНАДЛЕЖАЩЕГО ИСПОЛЬЗОВАНИЯ, НАРУШЕНИЯ ПРАВИЛ ЭКСПЛУАТАЦИИ ИЛИ ХАЛАТНОСТИ. ПРОДАВЕЦ НЕ ПРЕДОСТАВЛЯЕТ НИКАКИХ ЯВНО ВЫРАЖЕННЫХ ГАРАНТИЙ ЗА ИСКЛЮЧЕНИЕМ ПРЯМО ИЗЛОЖЕННОЙ В НАСТОЯЩЕМ ДОКУМЕНТЕ. ЗА ИСКЛЮЧЕНИЕМ СЛУЧАЕВ, ЗАПРЕЩЕННЫХ ДЕЙСТВУЮЩИМ ЗАКОНОДАТЕЛЬСТВОМ, ВСЕ ПОДРАЗУМЕВАЕМЫЕ ГАРАНТИИ, ВКЛЮЧАЯ ВСЕ ГАРАНТИИ ПРИГОДНОСТИ ДЛЯ ПРОДАЖИ ИЛИ ИСПОЛЬЗОВАНИЯ ПО НАЗНАЧЕНИЮ, ОГРАНИЧЕНЫ ПО ПРОДОЛЖИТЕЛЬНОСТИ ДЕЙСТВИЯ ВЫШЕУКАЗАННЫМ ГАРАНТИЙНЫМ СРОКОМ; КРОМЕ ТОГО, ИЗ НАСТОЯЩЕЙ ГАРАНТИИ ЯВНЫМ ОБРАЗОМ ИСКЛЮЧАЮТСЯ ВСЕ ПОБОЧНЫЕ, СЛУЧАЙНЫЕ И КОСВЕННЫЕ УБЫТКИ. (В некоторых штатах не допускается введение ограничений на продолжительность действия тех или иных подразумеваемых гарантий, а в некоторых - исключение или ограничение размера побочных или косвенных убытков. В этих случаях вышеизложенные ограничения или исключения могут на вас не распространяться. Настоящая гарантия предоставляет вам конкретные юридические права, а набор других ваших прав может быть различным в зависимости от юрисдикции).

ВНИМАНИЕ! До начала использования данного устройства пользователь должен убедиться в том, что оно является пригодным, соответствующим или безопасным для предполагаемого применения. В связи с большим разнообразием конкретных применений производитель не дает каких-либо заверений или гарантий относительно пригодности данных изделий для какого-либо конкретного применения или их соответствия каким-либо конкретным требованиям.

Компания Tripp Lite постоянно совершенствует свою продукцию. В связи с этим возможно изменение технических характеристик без предварительного уведомления. Внешний вид реальных изделий может несколько отличаться от представленного на фотографиях и иллюстрациях.

Примечание относительно маркировки

На данное изделие нанесен следующий символ:  Заземление



Продукция высшего качества.

1111 W. 35th Street, Chicago, IL 60609 USA • tripplite.com/support