

# Owner's Manual

## 24U SmartRack® Enclosure

**Model: SR24UB**  
(Series Number: AG-039A)

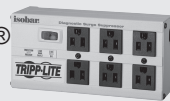
### Table of Contents

<b>1. Important Safety Instructions</b>	<b>2</b>	<b>5. Enclosure Configuration</b>	<b>6</b>
<b>2. Overview</b>	<b>2</b>	<b>5.1 Door Locks</b>	<b>6</b>
<b>3. Feature Identification</b>	<b>3</b>	<b>5.2 Reversing the Doors</b>	<b>6</b>
<b>4. Enclosure Installation</b>	<b>4</b>	<b>5.3 Mounting Rails</b>	<b>6</b>
4.1 Preparation	4	<b>5.4 Adjusting Mounting Rail Depth</b>	<b>6</b>
4.2 Unpacking	4	<b>6. Equipment Installation</b>	<b>7</b>
4.3 Installing Casters and Levelers	4	<b>6.1 Installing or Removing Cage Nuts</b>	<b>7</b>
4.4 Placement	4	<b>7. Specifications</b>	<b>7</b>
4.5 Leveling the Enclosure	5	<b>8. Storage and Service</b>	<b>8</b>
4.6 Ground Connection	5	<b>9. Warranty &amp; Product Registration</b>	<b>8</b>
		<b>Español</b>	<b>9</b>
		<b>Français</b>	<b>17</b>
		<b>Русский</b>	<b>25</b>

### WARRANTY REGISTRATION

Register your product today and be automatically entered to win an ISOBAR® surge protector in our monthly drawing!

[tripplite.com/warranty](http://tripplite.com/warranty)



1111 W. 35th Street, Chicago, IL 60609 USA • [tripplite.com/support](http://tripplite.com/support)

Copyright © 2022 Tripp Lite. All trademarks are the sole property of their respective owners.

# 1. Important Safety Instructions



## SAVE THESE INSTRUCTIONS

All sections of this manual contain instructions and warnings that should be followed during the installation and use of the Enclosures described in this manual. Read all instructions and warnings thoroughly before attempting to move, install or use the Enclosures described in this manual. Failure to comply will create a risk of personal injury and property damage and may invalidate the warranty.

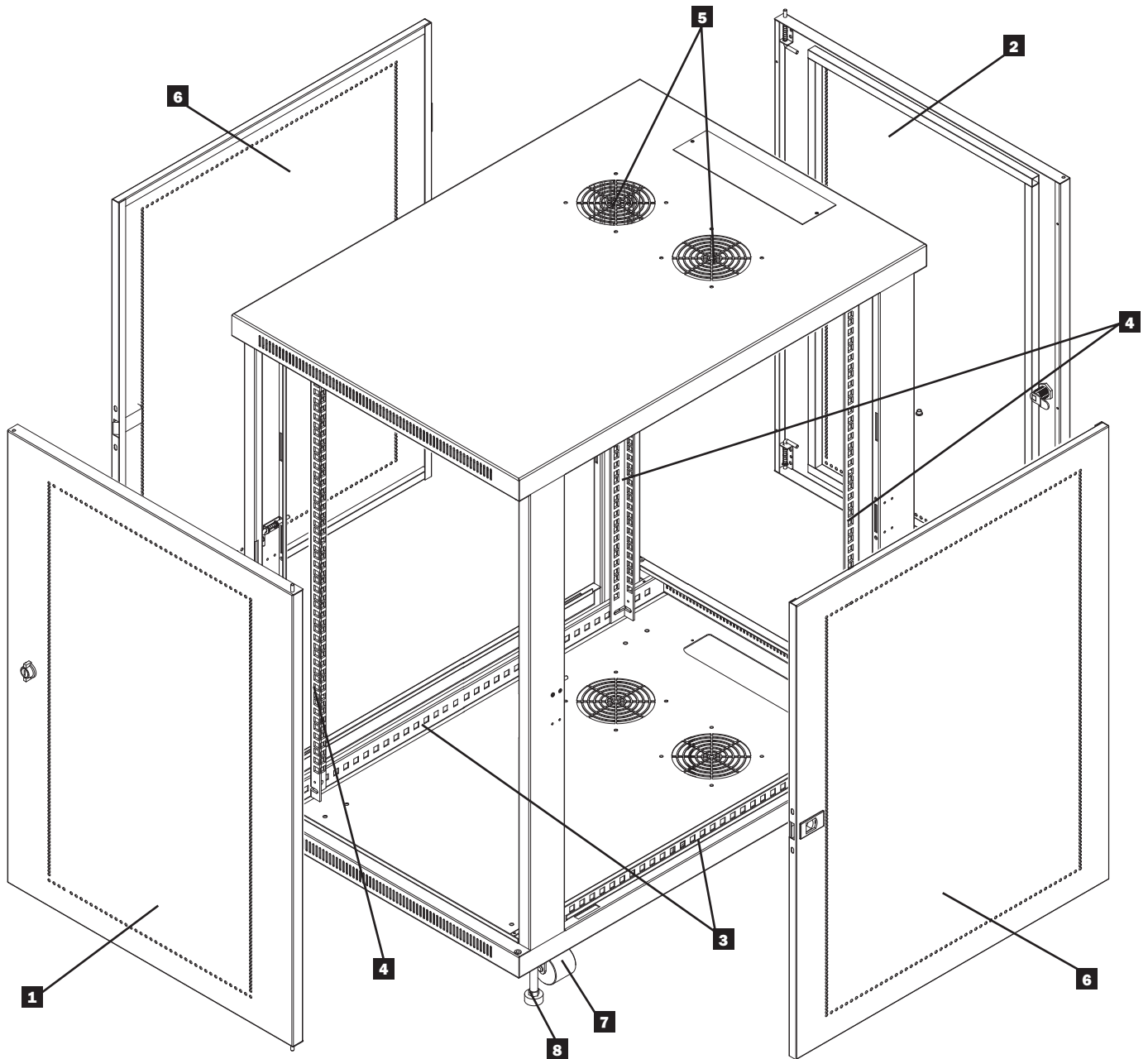
- Keep the enclosure in a controlled indoor environment, away from moisture, temperature extremes, flammable liquids and gasses, conductive contaminants, dust and direct sunlight.
- Leave adequate space at the front and rear of the enclosure for proper ventilation. Do not block, cover or insert objects into the external ventilation openings of the enclosure.
- The enclosure is extremely heavy. Use caution when handling the enclosure. Do not attempt to unpack, move or install it unassisted. Use a mechanical device such as a forklift or pallet jack to move the enclosure in the shipping container.
- Do not place any object on the enclosure, especially containers of liquid, and do not attempt to stack the enclosures.
- Inspect the shipping container and the enclosure for shipping damage. Do not use the enclosure if it is damaged.
- Leave the enclosure in the shipping container until it has been moved as close to the final installation location as possible. The casters are designed for minor position adjustments within the final installation area only. The casters are not designed for moving the enclosure over longer distances.
- The casters are not designed to provide long-term support for the enclosure after final installation. Use the levelers to provide long-term support.
- Install the enclosure in a structurally sound area with a level floor that is able to bear the weight of the enclosure, all equipment that will be installed in the enclosure and any other enclosures and/or equipment that will be installed nearby.
- Install the cabinet securely to the building structure, using the hold down brackets as illustrated in the **Enclosure Installation** section of this manual.
- Do not push the enclosure from the side panels to move it. Pushing from the side panels will cause a tipping hazard.
- When rolling the enclosure on its casters, always push it from behind, never pull it toward you.
- A rolling enclosure can cause personal injury and property damage if not properly supervised. If rolling the enclosure down a ramp is required, use extreme caution. Do not attempt to use ramps that have a slope steeper than 1:12.
- Use caution when cutting packing materials. The enclosure could be scratched, causing damage not covered by the warranty.
- Save all packing materials for later use. Repacking and shipping the enclosure without the original packing materials may cause product damage that will void the warranty.
- Do not re-ship the enclosure with additional equipment unless the enclosure was shipped with a special shock pallet ("SP1" models only). The combined weight of the enclosure and installed equipment must not exceed the load capacity of the pallet. Tripp Lite is not responsible for any damage that occurs during re-shipment.
- **DANGER: STABILITY HAZARD, RACKS ARE TO BE INSTALLED BY QUALIFIED SERVICE PERSONNEL ONLY.**
- Use of this equipment in life support applications where failure of this equipment can reasonably be expected to cause the failure of the life support equipment or to significantly affect its safety or effectiveness is not recommended.

## 2. Overview

SmartRack Enclosures accommodate all standard 19-inch rackmount equipment, regardless of vendor, and ship fully assembled for quick and easy deployment.

### 3. Feature Identification

- 1 Locking/Reversible Front Door
- 2 Locking/Reversible Back Door
- 3 Horizontal Rails
- 4 Vertical Mounting Rails
- 5 Vents
- 6 Locking/Removable Side Panels
- 7 Casters
- 8 Leveling Feet



## 4. Enclosure Installation



**Caution! Read All Instructions and Warnings Before Installation!**



**WARNING: The rack enclosure is extremely heavy. Do not attempt to unpack, move or install the enclosure without assistance. Until it has been properly installed and stabilized, the enclosure is prone to tipping and could cause property damage and/or personal injury. Use extreme caution when handling the enclosure and be sure to follow all handling and installation instructions. Do not attempt to install equipment without first stabilizing the enclosure.**

### 4.1 Preparation

The enclosure must be installed in a structurally sound area that is able to bear the weight of the enclosure, all the equipment that will be installed in the enclosure and any other enclosures and/or equipment that will be installed nearby. Before unpacking the enclosure, you should transport the shipping container closer to the final installation location to minimize the distance you will need to move the unit after the protective packaging has been removed. If you plan to store the enclosure for an extended period before installation, follow the instructions in the **Storage and Service** section.

You need several tools:

- Level
- 10 mm Open-End or Combination Wrench (2)
- 14 mm Open-End or Combination Wrench
- Phillips-Head Screwdriver

### 4.2 Unpacking



**Use at least two people to unpack the enclosure.**

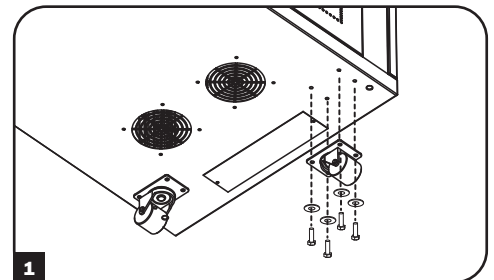


- 1** Move shipping pallet to a firm, level surface.
- 2** Save all packing materials for later use unless you are certain they will not be required. Packing materials are recyclable.
- 3** With one person on each side, carefully lift the enclosure off of the pallet and place on a firm, level surface.
- 4** Examine the enclosure for any damage or loose parts. Confirm all parts are present. If anything is missing or damaged, contact Tripp Lite for assistance. Do not attempt to use the enclosure if it has been damaged.

### 4.3 Installing Casters and Levelers

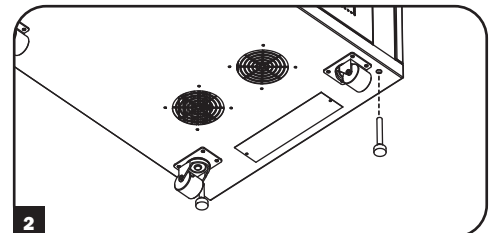
#### 1 Installing Casters

Tripp Lite's accessory SRCASTER kit is included with your rack enclosure. This kit consists of 4 casters with required locknuts, washers and bolts for installation. Using two 10 mm open-end or combination wrenches, install the casters to the base of the unit using the pre-drilled holes near each corner of the enclosure.



#### 2 Installing Levelers

There are 4 levelers included with your rack enclosure, 2 for the front and 2 for the rear. Using a 14 mm open-end wrench, install the levelers at the base of the unit using the threaded holes near each corner of the enclosure by turning the leveler in counter-clockwise. When the rack enclosure is moved to its installation location, use a 14mm open-end wrench to level the rack.



### 4.4 Placement

You can use the casters to move the enclosure for a short distance over a level, smooth, stable surface by pushing it from the front or rear (not the side panels). Do not attempt to roll the enclosure over long distances. The enclosure should be moved close to its installation location inside its shipping container before it is unpacked. **Warning: Use appropriate equipment and follow all applicable safety procedures and regulations.**



**Warning: Never attempt to lift or install without adequate help. Do not try lifting the enclosure alone.**



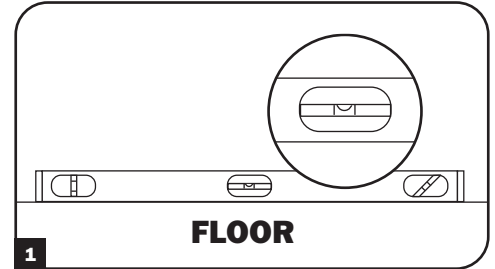
## 4. Enclosure Installation *(continued)*

### 4.5 Leveling



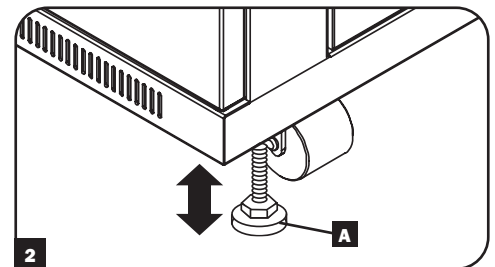
**WARNING: Level the enclosure before attempting to install equipment. The casters are not designed to provide long-term support for the enclosure. Use the levelers to provide long-term support. Install the enclosure in a structurally sound area with a level floor that is able to bear the weight of the enclosure, all equipment that will be installed in the enclosure and any other enclosures and/or equipment that will be installed nearby.**

- 1 After the enclosure has been moved to the installation location, use a carpenter's level to check the slope of the floor. If the floor slopes more than 1%, choose an alternate installation site.

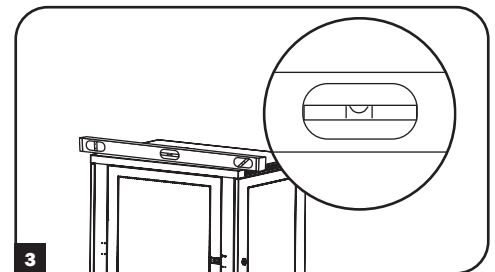


- 2 Use a 14 mm open-end wrench to lower each leveler **A** until it reaches the floor. (There are 4 levelers, 2 at the front and 2 at the rear.) Make sure each leveler contacts the floor solidly.

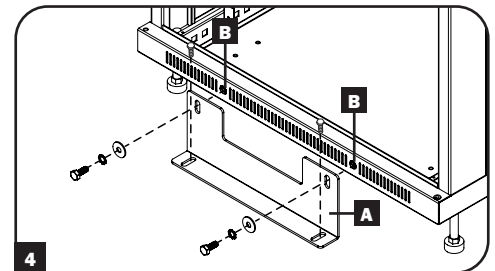
**Note:** Lower a leveler by turning it clockwise; raise a leveler by turning it counter-clockwise.



- 3 After lowering each leveler, use the carpenter's level to confirm that the enclosure is level in all directions. Adjust the levelers as required until the enclosure is level.



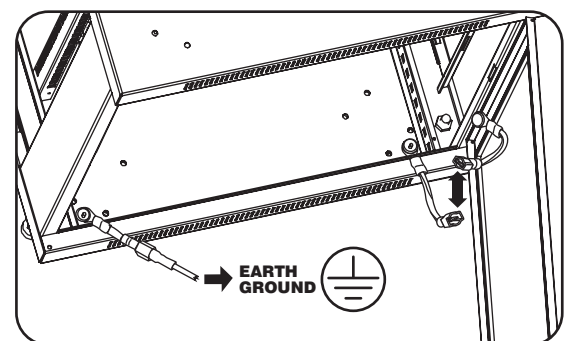
- 4 In order to secure the cabinet to the building structure for stability, attach the 2 hold down brackets using the hardware provided with the brackets. Use a 13 mm open-end wrench to connect the brackets **A** to the outer bracket mounting points of the enclosure **B**. Attach the brackets secure mounting points in the floor using user-supplied hardware or Tripp Lite's SmartRack Bolt-Down Kit (Part # SRBOLTDOWN).



### 4.6 Ground Connection

- All parts of the enclosure are grounded to the frame of the enclosure.
- Grounding studs have been provided in all four corners of the enclosure to allow for grounding in any configuration (including front or back door reversals).
- Grounding holes are also provided on top and bottom corners of both front and back doors to accommodate any configuration.
- To ground the enclosure simply connect the two quick-disconnect grounding wires, one to the hole provided on the inside of either the front or back door and the other to the stud provided in any corner of the enclosure. Connect your facility's earth ground connection to the grounding stud not used by door connections, using an 8 AWG (3.264 mm) wire.

**Warning: Attach each enclosure to earth ground separately. Do not use the enclosure without an earth ground connection.**



## 5. Enclosure Configuration

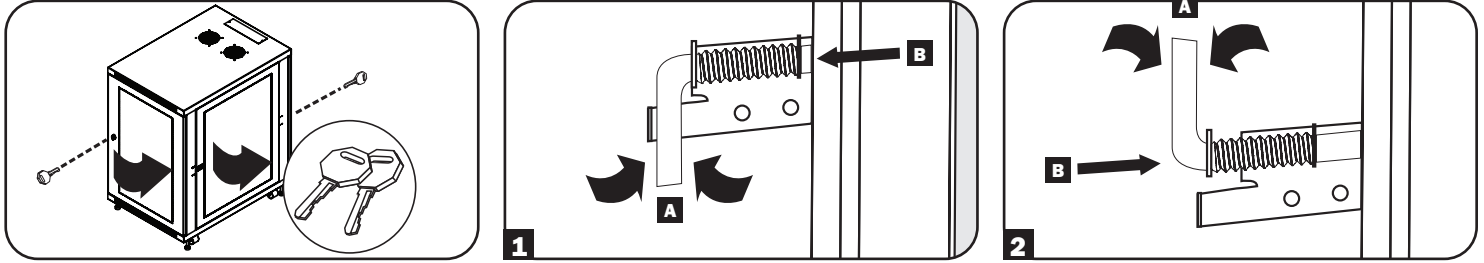
### 5.1 Door Locks

The front and back doors have locks that are accessible by the included keys.

Each side panel locks using an L-shaped lever on the inside of the enclosure.

- 1 To unlock and remove the side panels, lift the shorter leg of the “L” up and pull it away from the side panel. Pull the tab on the side panel and remove it from the enclosure.
- 2 To re-lock the side panels, secure it in the proper position, lift the shorter leg of the “L” up and push it toward the side panel, back into the hole that it was in initially. Once it is in place, push the shorter leg of the “L” down to lock it.

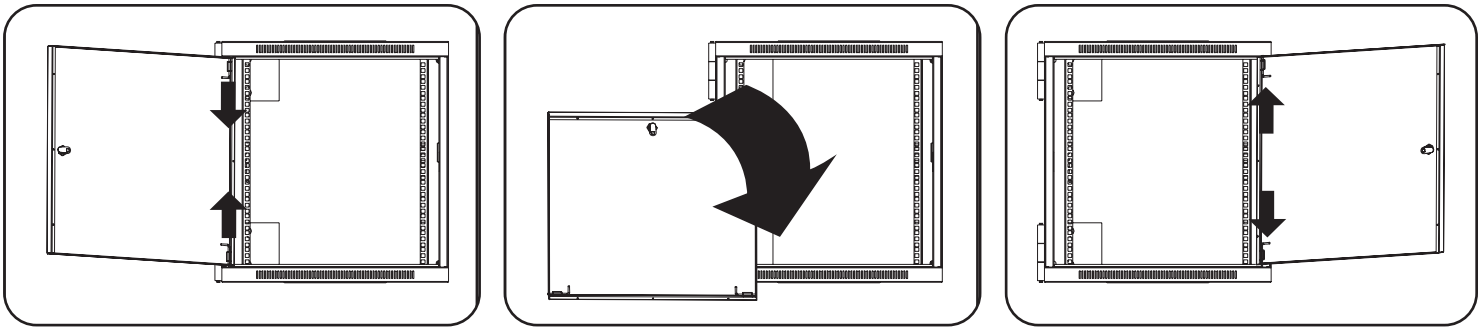
**Note:** To lock and unlock the side panels, you will need to have access to the interior of the enclosure.



### 5.2 Reversing the Doors

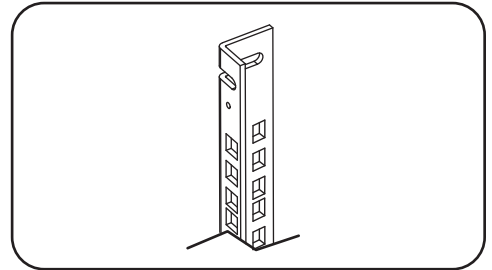
The doors of the enclosure are held in position on the enclosure's frame with two spring-loaded pins. To reverse the door's swing direction, simply release the pins by pulling them up (lower pin) or down (upper pin) and remove them from the mounting holes on the frame of the enclosure.

Flip the door in the opposite direction and replace the pins in the identical mounting holes on the other side of the enclosure's frame by lining them up with the mounting holes and engaging them again.



### 5.3 Mounting Rails

The enclosure comes with mounting rails that have square holes for mounting rack equipment. To install equipment, use the included cage nuts and other hardware. (See page 7 for installation of cage nuts.) **Warning: Be sure to have the enclosure in its final position on the floor before mounting any equipment inside. Also be sure to have all the right adjustments on your rails before mounting equipment. (See below for Adjusting Mounting Rail Depth.)**

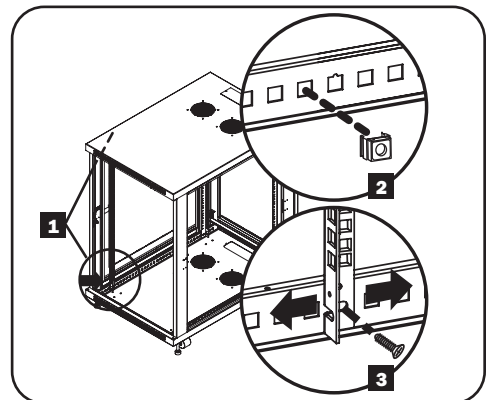


### 5.4 Adjusting Mounting Rail Depth

**Warning: Do not attempt to adjust rails while equipment is installed in the enclosure. Do not attempt to use rails without screws installed. (2 per rail.)**

The 4 mounting rails are pre-installed to accommodate equipment with a mounting depth of 20.5 inches (521 mm). Do not adjust the mounting rails unless your equipment requires a different mounting depth. The front and rear sets of rails can be adjusted independently for mounting of equipment with depths between 3 inches (76 mm) and 32.5 inches (826 mm).

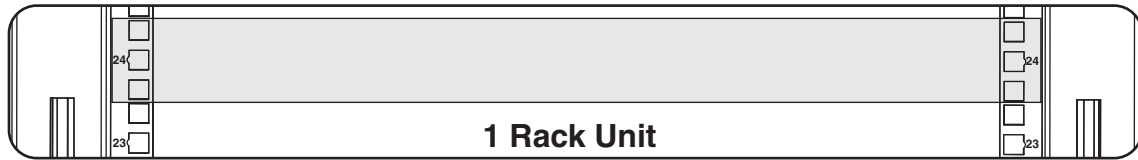
- 1 Each rail is connected to the enclosure with 2 screws and 2 cage nuts: 1 set in the upper corner and another in the lower corner. Using a Phillips-head screwdriver, remove the screws that fasten the rails to the enclosure.
- 2 Move cage nuts to desired depth and reinstall.
- 3 Slide the mounting rails to the desired depth and reattach them using the screws you removed in Step 1.



## 6. Equipment Installation

**Warning:** Do not install equipment until you have stabilized the enclosure. Install heavier equipment first and install it towards the bottom of the enclosure. Install equipment starting from the bottom of the enclosure and proceeding toward the top of the enclosure - never the reverse. If using sliding equipment rails, be careful when extending the rails. Do not extend more than one set of sliding equipment rails at one time. Avoid extending sliding equipment rails near the top of the enclosure.

**Note:** The square holes in the middle of each rack unit are numbered and also include a small notch to aid identification. A single rack unit includes the space occupied by the numbered hole and the holes directly above and below.



### 6.1 Installing or Removing Cage Nuts

**WARNING:** The flanges of the cage nuts should engage the sides of the square opening in the rail, not the top and bottom. Follow the instructions in your equipment documentation to ensure proper installation of your equipment.

- 1 Locate the numbered square openings in the mounting rails where you plan to install your equipment. You will install cage nuts (included) into the square openings in order to provide an attachment point for the mounting screws (included).

**Note:** Consult your equipment documentation to determine how many cage nuts will be required and where they will need to be installed.

- 2 From the inside of the mounting rail, insert one of the flanges of the cage nut through the square opening. Press it against the side of the square opening. Each flange should engage one side of the square opening, not the top or bottom.

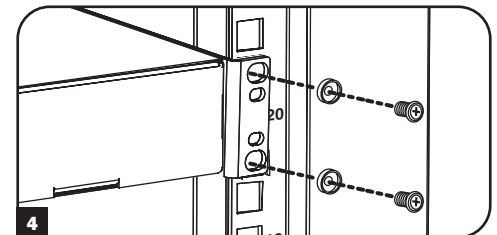
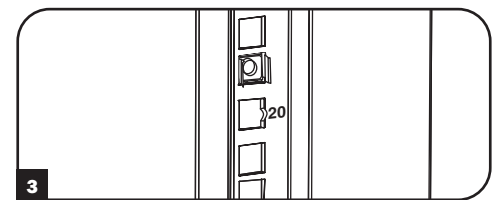
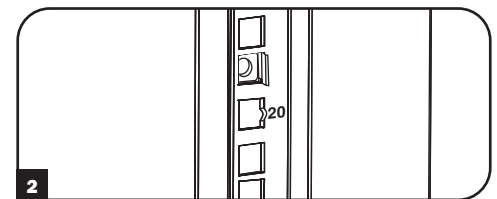
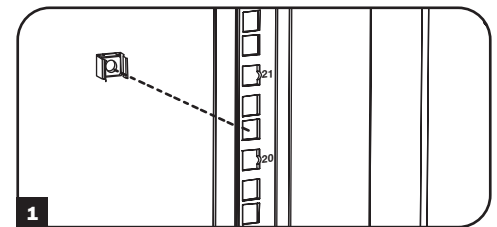
- 3 Compress the cage nut at the sides slightly to allow the remaining flange to fit through the square opening. When the cage nut is properly installed, both flanges will protrude through the square opening and will be visible on the outer surface of the mounting rail. Repeat steps 1-3 until all required cage nuts are installed.

- 4 After installing the required cage nuts, use the included mounting screws and cup washers to secure your equipment to the rack rail. Place the cup washers between the screws and the equipment mounting brackets.

**Note:** Your equipment may also include mounting hardware. Read the mounting instructions that came with your equipment before installing your equipment.

#### To Remove Cage Nuts, Reverse Steps 1-3

**Note:** You may wish to use a cage nut tool (user-supplied) to aid cage nut installation and removal.



## 7. Specifications

Model	SR24UB
Dimensions (H x W x D)	46.03 x 23.63 x 33.5" (1169 x 600 x 850 mm)
Unit Weight	123 lb (56 kg)
Load Capacity	1000 lb (453 kg) Stationary or Rolling
Mounting Depth (Adjustable)	3" to 32.5" (76 to 826 mm)

## 8. Storage and Service

### Storage

The enclosure should be stored in a controlled indoor environment, away from moisture, temperature extremes, flammable liquids and gasses, conductive contaminants, dust and direct sunlight. Store the enclosure in its original shipping container if possible.

### Service

Your Tripp Lite product is covered by the warranty described in this manual. A variety of Extended Warranty and On-Site Service Programs are also available from Tripp Lite. For more information on service, visit [tripplite.com/support](http://tripplite.com/support). Before returning your product for service, follow these steps:

1. Review the installation and operation procedures in this manual to insure that the service problem does not originate from a misreading of the instructions.
2. If the problem continues, do not contact or return the product to the dealer. Instead, visit [tripplite.com/support](http://tripplite.com/support).
3. If the problem requires service, visit [tripplite.com/support](http://tripplite.com/support) and click the Product Returns link. From here you can request a Returned Material Authorization (RMA) number, which is required for service. This simple on-line form will ask for your unit's model and serial numbers, along with other general purchaser information. The RMA number, along with shipping instructions will be emailed to you. Any damages (direct, indirect, special or consequential) to the product incurred during shipment to Tripp Lite or an authorized Tripp Lite service center is not covered under warranty. Products shipped to Tripp Lite or an authorized Tripp Lite service center must have transportation charges prepaid. Mark the RMA number on the outside of the package. If the product is within its warranty period, enclose a copy of your sales receipt. Return the product for service using an insured carrier to the address given to you when you request the RMA.

## 9. Warranty and Product Registration

### 5-Year Limited Warranty

Seller warrants this product, if used in accordance with all applicable instructions, to be free from original defects in material and workmanship for a period of 5 years from the date of initial purchase. If the product should prove defective in material or workmanship within that period, Seller will repair or replace the product, at its sole discretion.

THIS WARRANTY DOES NOT APPLY TO NORMAL WEAR OR TO DAMAGE RESULTING FROM ACCIDENT, MISUSE, ABUSE OR NEGLIGENCE. SELLER MAKES NO EXPRESS WARRANTIES OTHER THAN THE WARRANTY EXPRESSLY SET FORTH HEREIN. EXCEPT TO THE EXTENT PROHIBITED BY APPLICABLE LAW, ALL IMPLIED WARRANTIES, INCLUDING ALL WARRANTIES OF MERCHANTABILITY OR FITNESS, ARE LIMITED IN DURATION TO THE WARRANTY PERIOD SET FORTH ABOVE; AND THIS WARRANTY EXPRESSLY EXCLUDES ALL INCIDENTAL AND CONSEQUENTIAL DAMAGES. (Some states do not allow limitations on how long an implied warranty lasts, and some states do not allow the exclusion or limitation of incidental or consequential damages, so the above limitations or exclusions may not apply to you. This warranty gives you specific legal rights, and you may have other rights which vary from jurisdiction to jurisdiction).

WARNING: The individual user should take care to determine prior to use whether this device is suitable, adequate or safe for the use intended. Since individual applications are subject to great variation, the manufacturer makes no representation or warranty as to the suitability or fitness of these devices for any specific application.

### Product Registration

Visit [www.tripplite.com/warranty](http://www.tripplite.com/warranty) today to register your new Tripp Lite product. You'll be automatically entered into a drawing for a chance to win a FREE Tripp Lite product!\*

\* No purchase necessary. Void where prohibited. Some restrictions apply. See website for details.

Tripp Lite has a policy of continuous improvement. Specifications are subject to change without notice. Photos and illustrations may differ slightly from actual products.





# Manual del propietario

## Gabinete 24U SmartRack®

Modelo: SR24UB

### Índice

<b>1. Instrucciones de seguridad importantes</b>	<b>10</b>	<b>5. Configuración del rack</b>	<b>14</b>
<b>2. Generalidades</b>	<b>10</b>	5.1 Cerraduras de las puertas	14
<b>3. Identificación de las características</b>	<b>11</b>	5.2 Cómo invertir las puertas	14
<b>4. Instalación del rack</b>	<b>12</b>	5.3 Rieles de montaje	14
4.1 Preparación	12	5.4 Ajuste de la profundidad del riel de montaje	14
4.2 Desembalaje	12	<b>6. Instalación de equipos</b>	<b>15</b>
4.3 Instalación de Ruedas y Niveladores	12	6.1 Instalación o extracción de las tuercas de jaula	15
4.4 Ubicación	12	<b>7. Especificaciones</b>	<b>15</b>
4.5 Nivelación del rack	13	<b>8. Almacenamiento y servicio</b>	<b>16</b>
4.6 Conexión a tierra	13	<b>9. Garantía</b>	<b>16</b>
		<b>English</b>	<b>1</b>
		<b>Français</b>	<b>17</b>
		<b>Русский</b>	<b>25</b>



1111 W. 35th Street, Chicago, IL 60609 USA • [tripplite.com/support](http://tripplite.com/support)

Copyright © 2022 Tripp Lite. Todas las otras marcas registradas son propiedad de sus respectivos dueños.

# 1. Instrucciones de seguridad importantes



## CONSERVE ESTAS INSTRUCCIONES

Todas las secciones de este manual contienen instrucciones y advertencias que deben observarse durante la instalación y uso de los Gabinetes aquí descritos. Lea cuidadosamente todas las instrucciones y advertencias antes de intentar mover, instalar o utilizar los Gabinetes descritos en este manual. El incumplimiento creará un riesgo de lesiones personales y daños a la propiedad y puede invalidar la garantía.

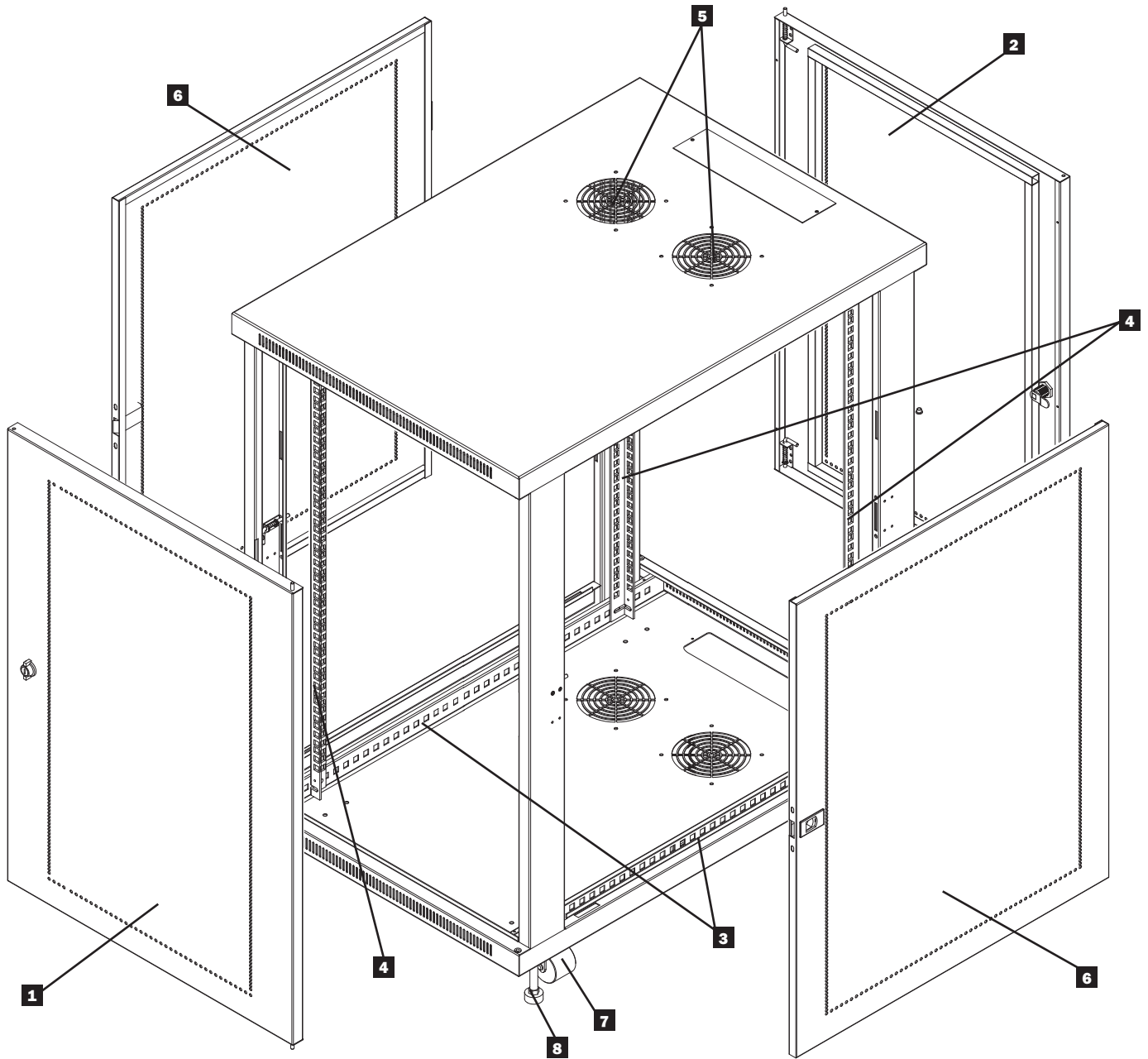
- Mantenga el gabinete en un entorno interior controlado lejos de humedad excesiva, temperaturas extremas, líquidos y gases inflamables, contaminantes conductores, polvo o luz solar directa.
- Deje un espacio adecuado al frente y detrás del gabinete para una ventilación adecuada. No bloquee, cubra ni coloque objetos en las aberturas externas de ventilación del gabinete.
- El gabinete es extremadamente pesado. Tenga cuidado al manejar el gabinete. No intente desempacar, moverlo o instalarlo sin ayuda. Utilice un dispositivo mecánico como un montacargas o gato para tarimas para mover el gabinete en el contenedor de embarque.
- No coloque objeto alguno sobre el gabinete, especialmente recipientes de líquidos y no intente apilar los gabinetes.
- Inspeccione el contenedor de embarque y el gabinete para detectar daños en el embarque. No use el gabinete si está dañado.
- Deje el gabinete en el contenedor de embarque hasta que haya sido movido tan cerca a su ubicación final como sea posible. Las ruedas están diseñadas para ajustes mínimos de posición dentro del área de instalación final. Las ruedas no están diseñadas para desplazar el gabinete a largas distancias.
- Las ruedas no están diseñadas para proporcionar soporte a largo plazo al gabinete después de la instalación final. Use los niveladores para proporcionar soporte a largo plazo.
- Instale el gabinete en un área estructuralmente firme con un piso nivelado que pueda soportar la carga del peso del gabinete, de todo el equipo que se instale en el gabinete y otros gabinetes y/o otros equipos que se instalen cerca.
- Instale firmemente el gabinete a la estructura del edificio, usando los soportes de fijación como se ilustra en la sección de Instalación del Gabinete de este manual.
- No empuje el gabinete de sus paneles laterales para moverlo. Empujarlo de sus paneles laterales creará un peligro de vuelco.
- Cuando ruede el gabinete sobre sus ruedas, siempre empuje desde atrás, nunca lo jale hacia usted.
- Un gabinete rodando puede ocasionar lesiones personales y daños a la propiedad si no es supervisado correctamente. Tenga mucho cuidado si necesita trasladar hacia abajo el gabinete por una rampa. No intente usar rampas que tengan una pendiente superior a 1:12.
- Tenga cuidado cuando corte el material de empaque. El gabinete podría ser rayado o rasguñado, causando daños no cubiertos por la garantía.
- Guarde todo el material de empaque para uso posterior. El reempacar y embarcar el gabinete sin los materiales de empaque originales puede causar daños al producto que anulen la garantía.
- No reembarque el gabinete con equipo adicional a menos que el gabinete haya sido embarcado con una tarima especial anti-impacto (solo modelos "SP1"). El peso combinado del gabinete y el equipo instalado no debe exceder la capacidad de carga de la tarima. Tripp Lite no es responsable por cualquier daño que se produzca durante el reenvío.
- **PELIGRO: RIESGO DE ESTABILIDAD, LOS RACKS DEBEN SER INSTALADOS ÚNICAMENTE POR PERSONAL DE SERVICIO CALIFICADO.**
- No se recomienda el uso de este equipo en aplicaciones de soporte de vida en donde razonablemente se pueda esperar que la falla de este equipo cause la falla del equipo de soporte de vida o afectar significativamente su seguridad o efectividad.

## 2. Generalidades

Los racks SmartRack sirven para colocar cualquier equipo estándar para montar en rack de 19 pulgadas, independientemente del proveedor, y se envían completamente ensamblados para una implementación rápida y fácil.

### 3. Identificación de las características

- 1 Puerta frontal con cerradura/reversible
- 2 Puerta trasera con cerradura/reversible
- 3 Rieles horizontales
- 4 Rieles de montaje verticales
- 5 Ventilación
- 6 Paneles laterales con cerradura/desmontables
- 7 Ruedas
- 8 Pie de nivelado



## 4. Instalación del rack



### **¡Precaución! Lea todas las instrucciones y advertencias antes de la instalación.**



**ADVERTENCIA:** El gabinete es extremadamente pesado. No intente desempacar, mover o instalar el gabinete sin asistencia. Hasta que haya sido correctamente instalado y estabilizado, el gabinete es propenso a vuelcos y podría causar daños a la propiedad y/o lesiones personales. Tenga mucho cuidado al manipular el gabinete y asegúrese de seguir todas las instrucciones de manejo e instalación. No intente instalar equipo sin estabilizar primero el gabinete.

### 4.1 Preparación

El rack se debe instalar en una zona estructuralmente sana que pueda soportar su peso, el de todos los equipos que se instalarán en él y cualquier otro rack o equipos que se instalarán cerca. Antes de desembalar el rack, debería transportar el contenedor de envío lo más cerca posible de la ubicación de instalación final para minimizar la distancia que necesitará moverlo después de quitarle el embalaje protector. Si planea almacenarlo durante un período prolongado antes de instalarlo, siga las instrucciones de la sección **Almacenamiento y servicio**.

Necesitará algunas herramientas:

- Nivel
- Llave de boca o de combinación de 10 mm (2)
- Llave de boca o de combinación de 14 mm
- Destornillador Philips

### 4.2 Desembalaje



**Utilice al menos dos personas para desembalar el rack.**

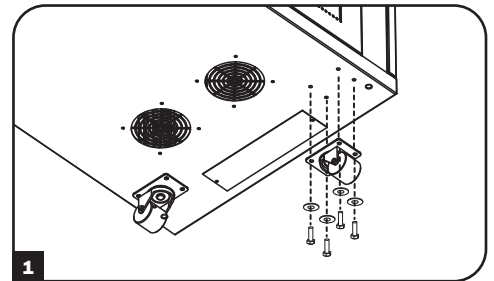


- 1** Mueva el p alet de env o hacia una superficie firme y nivelada.
- 2** Guarde todos los materiales de embalaje para uso futuro, a menos que est  seguro de que no ser n necesarios. Los materiales de embalaje son reciclables.
- 3** Con una persona de cada lado, eleve el rack con cuidado hacia afuera del p alet y col quelo en una superficie firme y nivelada.
- 4** Examine el rack para detectar da os o partes sueltas. Confirme que est n todas las partes. Si algo falta o est  da ado, comun quese con Tripp Lite para obtener ayuda. No use el rack si est  da ado.

### 4.3 Instalaci n de Ruedas y Niveladores

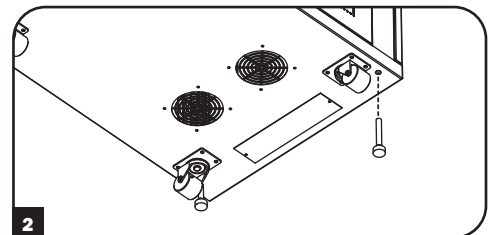
#### **1 Instalaci n de Ruedas**

Se incluye el kit de accesorios SRCASTER de Tripp Lite con el rack. El SRCASTER Kit se compone de 4 ruedas con las contratueras, arandelas y pernos adecuados para la instalaci n. Utilice dos llaves de extremo abierto o de combinaci n de 10 mm, instale las ruedas en la base de la unidad usando los orificios taladrados previamente cerca de cada esquina del rack.



#### **2 Instalaci n de Niveladores**

Hay 4 niveladores incluidos con su rack, 2 para el frente y 2 para la parte trasera. Utilizando una llave de boca de 14 mm, instale los niveladores en la base de la unidad usando los orificios roscados cerca de cada esquina del rack girando los niveladores en sentido contrario al de las manecillas del reloj. Cuando el rack se mueva a su lugar de instalaci n, use una llave de boca de 14 mm para nivelar el rack.



### 4.4 Ubicaci n

Puede utilizar las ruedas para mover el rack una distancia corta sobre una superficie nivelada, lisa y estable empuj ndolo desde adelante o atr s (no desde los paneles laterales). No intente hacerlo rodar por distancias largas. Antes de desembalarlo, el rack se debe mover hasta cerca del sitio de instalaci n dentro de su contenedor de env o. **Advertencia:** Use los equipos adecuados y siga todos los procedimientos y reglamentaciones de seguridad correspondientes.



**Advertencia:**  
**Nunca intente elevar o instalar el rack sin la ayuda adecuada.**  
**No intente elevar el rack usted solo.**



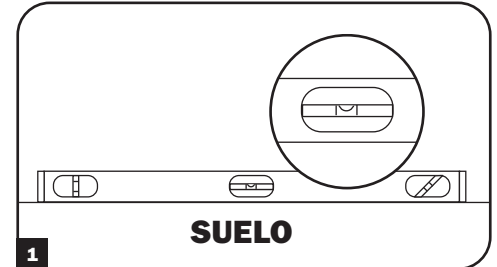
## 4. Instalación del rack (continuación)

### 4.5 Nivelación del rack



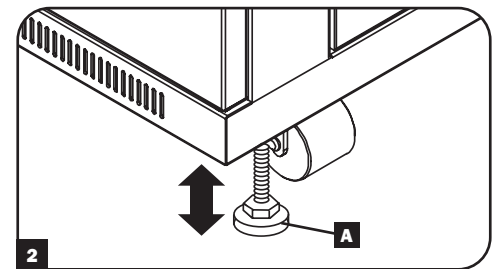
**ADVERTENCIA:** Nivele el gabinete antes de intentar instalar el equipo. Las ruedas no están diseñadas para proporcionar soporte a largo plazo al gabinete. Use los niveladores para proporcionar soporte a largo plazo. Instale el gabinete en un área estructuralmente firme con un piso nivelado que pueda soportar la carga del peso del gabinete, de todo el equipo que se instale en el gabinete y otros gabinetes y/o otros equipos que se instalen cerca.

**1** Después de mover el rack a la ubicación de instalación, utilice un nivel de carpintero para verificar la pendiente del suelo. Si es mayor al 1%, elija un sitio de instalación alternativo.

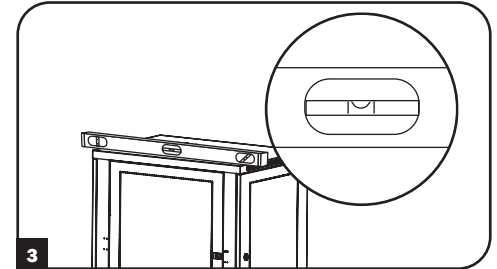


**2** Use una llave de boca de 14 mm para bajar cada nivelador **A** hasta que llegue al piso. (Hay 4 niveladores, 2 en el frente y 2 atrás). Asegúrese de que cada uno apoye con firmeza sobre el piso.

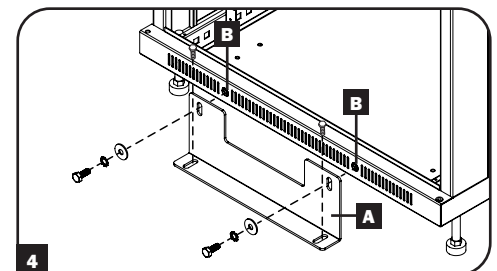
*Nota:* Baje un nivelador girándolo en sentido horario; súbalo girándolo en sentido antihorario.



**3** Después de bajar cada nivelador, use el nivel de carpintero para confirmar que el rack está nivelado en todas las direcciones. Ajuste los niveladores hasta que el rack esté nivelado.



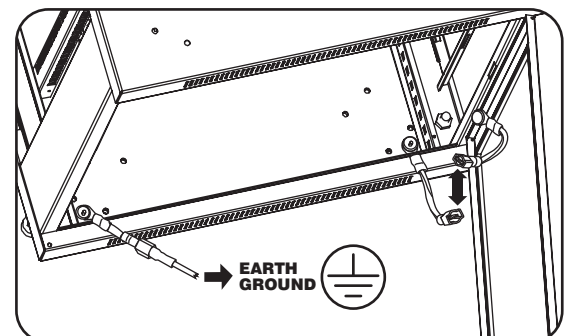
**4** A fin de asegurar el gabinete a la estructura del edificio para tener estabilidad, fije los 2 soportes de sujeción hacia abajo usando los accesorios proporcionados con los soportes. Use una llave española de 13 mm para conectar los soportes **A** a los puntos externos de instalación del soporte en el gabinete **B**. Fije los puntos seguros de instalación de los soportes en el piso utilizando los accesorios suministrado por el usuario o el juego de pernos de sujeción de Tripp Lite (Parte N° SRBOLTDOWN).



### 4.6 Conexión a tierra

- Todas las partes del rack se deben conectar a tierra al marco del rack.
- Se proporcionan pernos de conexión a tierra en las cuatro esquinas del rack para permitir la conexión a tierra en cualquier configuración (incluidas las puertas frontal y trasera reversibles).
- También se proporcionan orificios para conexión a tierra en las esquinas inferiores y superiores de las puertas frontal y trasera para lograr cualquier configuración.
- Para conectar el rack a tierra, sólo conecte los dos cables de conexión a tierra de desconexión rápida, uno en el orificio del interior de la puerta frontal o trasera, y el otro en el perno de cualquiera de las esquinas del rack. Conecte la conexión a tierra de la instalación en el perno de conexión a tierra no utilizado por las conexiones de las puertas utilizando un cable 8 AWG (3,264 mm).

**Advertencia:** Conecte cada rack a tierra por separado. No use el rack sin una conexión a tierra.



## 5. Configuración del rack

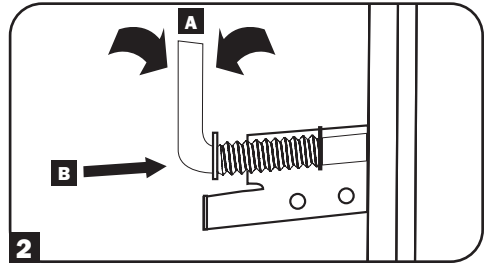
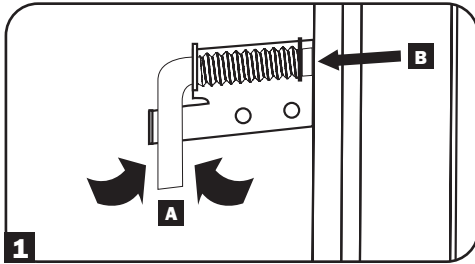
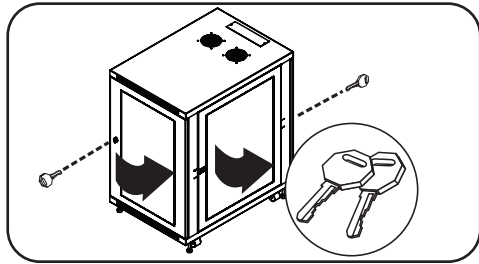
### 5.1 Cerraduras de las puertas

Las puertas frontal y posterior tienen cerraduras que son accesibles con las llaves incluidas.

Cada panel lateral se asegura usando una palanca en L en el lado interno del gabinete.

- 1 Para desasegurar y desmontar los paneles laterales, levante el lado corto de la "L" y retírela del panel lateral. Jale la pestaña en el panel lateral y desmóntela del gabinete.
- 2 Para colocar nuevamente los paneles laterales, asegúrelos en la posición correcta, levante el lado corto de la "L" y presionela hacia el panel lateral, nuevamente al orificio en donde estaba inicialmente. Una vez en su sitio, oprima el lado corto de la "L" para asegurarla.

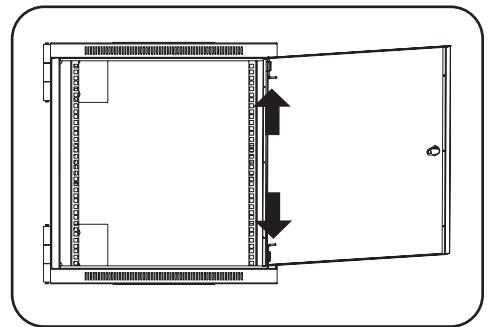
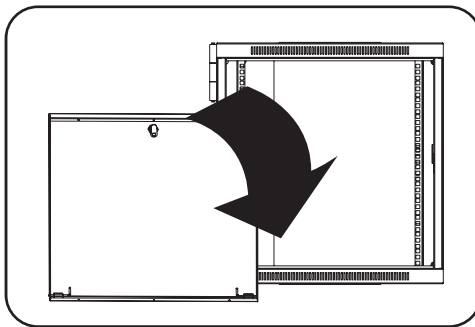
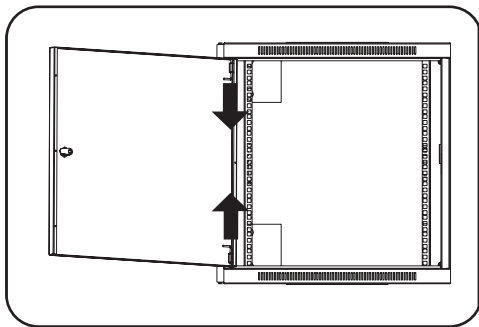
**Nota:** Para asegurar y desasegurar los paneles laterales, usted necesitará tener acceso al interior del gabinete.



### 5.2 Cómo invertir las puertas

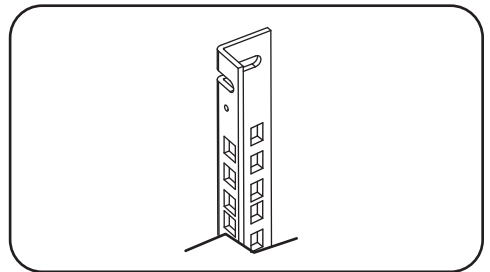
Las puertas del rack se articulan en su posición en el marco del rack con dos clavijas a resorte. Para invertir la dirección de giro de la puerta, afloje las clavijas tirando hacia arriba (clavija inferior) o hacia abajo (clavija superior) y extráigalas de los orificios de montaje en el marco del rack.

Gire la puerta en la dirección opuesta y vuelva a colocar las clavijas en los mismos orificios de montaje del otro lado del marco del rack, alineándolas con los orificios de montaje y volviéndolas a colocar.



### 5.3 Rieles de montaje

El rack viene con rieles de montaje que poseen orificios cuadrados para montar los equipos del rack. Para instalar los equipos, utilice las tuercas de jaula y las otras herramientas incluidas. (Consulte la página 7 para ver la instalación de las tuercas de jaula). **Advertencia: Asegúrese de que el rack se encuentre en la posición final en el suelo antes de montar cualquier equipo en el interior. Asegúrese también de realizar todos los ajustes adecuados de rieles antes de montar los equipos. (Consulte la sección siguiente para ver el Ajuste de la profundidad del riel de montaje).**

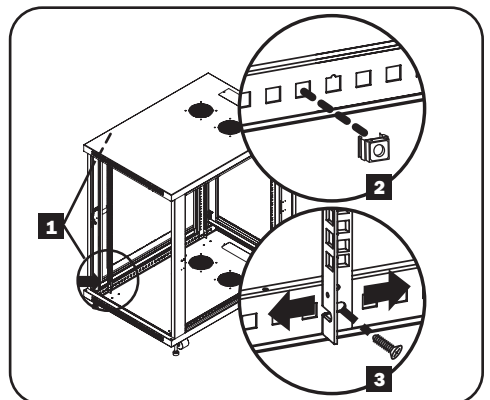


### 5.4 Ajuste de la profundidad del riel de montaje

**Advertencia: No intente ajustar los rieles mientras los equipos están instalados en el rack. No intente utilizar rieles sin tornillos instalados. (2 por riel).**

Los 4 rieles de montaje están preinstalados para acomodar los equipos con una profundidad de montaje de 20,5 pulgadas (521 mm). No ajuste los rieles de montaje a menos que los equipos requieran una profundidad de montaje distinta. Los conjuntos de rieles frontales y traseros pueden ajustarse en forma independiente para montar equipos con profundidades entre 3 pulgadas (76 mm) y 32,5 pulgadas (826 mm).

- 1 Cada riel está conectado al gabinete con 2 tornillos y 2 tuercas de fijación: 1 juego en la esquina superior y otro en la esquina inferior. Usando un desatornillador Phillips, retire los tornillos que sujetan los rieles al gabinete..
- 2 Mueva las tuercas de fijación a la profundidad deseada y reinstale.
- 3 Deslice los rieles de montaje hasta la profundidad deseada y vuelva a unirlos mediante los tornillos que extrajo anteriormente en el Paso 1.



## 6. Instalación de equipos

**Advertencia:** No instale equipos hasta que haya estabilizado el rack. Instale primero los equipos más pesados en la parte inferior del rack. Instálelos de abajo hacia arriba, nunca en sentido contrario. Si usa rieles para equipos deslizantes, tenga cuidado al extender los rieles. No extienda más de un juego de rieles por vez. Evite extender rieles de equipos deslizantes cerca de la parte superior del rack.

**Nota:** Los orificios cuadrados en el centro de cada unidad del rack están numerados y también incluyen una pequeña muesca para identificarlos. Una sola unidad de rack incluye el espacio ocupado por el orificio numerado y los orificios ubicados directamente encima y debajo.



### 6.1 Instalación o extracción de las tuercas de jaula

**ADVERTENCIA:** Las bridas de las tuercas en jaula deben engancharse en los lados de la abertura cuadrada del riel, no en la parte superior o inferior. Siga las instrucciones de la documentación de sus equipos para instalarlos correctamente.

- 1 Ubique las aberturas cuadradas numeradas en los rieles de montaje en donde planea instalar los equipos. Instalará tuercas en jaula (incluidas) en las aberturas cuadradas para obtener un punto de fijación para los tornillos de montaje (incluidos).

**Nota:** Consulte la documentación del equipo para determinar la cantidad de tuercas de jaula que serán necesarias y dónde deberán instalarse.

- 2 Desde adentro del riel de montaje, inserte una de las bridas de la tuerca en jaula a través de la abertura cuadrada. Presiónela contra el lado de la abertura cuadrada. Cada brida debe engancharse en un lado de la abertura cuadrada, ni arriba ni abajo.

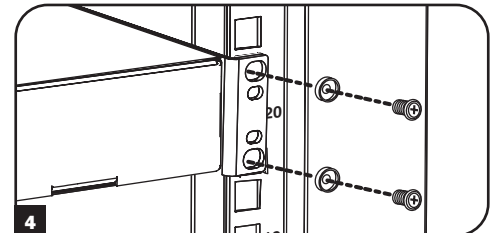
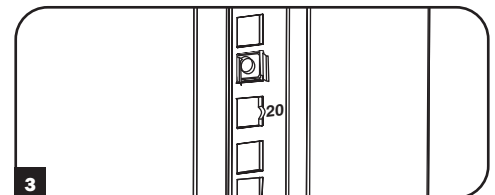
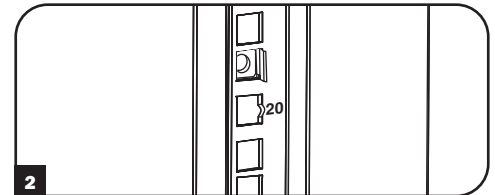
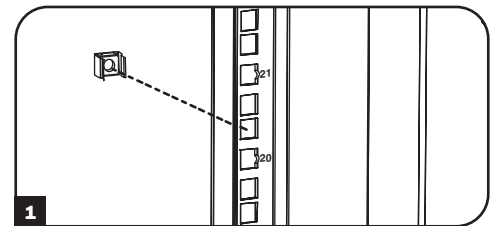
- 3 Comprima la tuerca ligeramente a los costados para permitir que la brida restante entre por la abertura cuadrada. Cuando la tuerca de jaula esté instalada adecuadamente, ambas bridas asomarán a través de la abertura cuadrada y podrán verse desde la superficie exterior del riel de montaje. Repita los pasos 1 a 3 hasta que todas las tuercas en jaula estén instaladas.

- 4 Después de instalar las tuercas en jaula necesarias, utilice los tornillos de montaje y las arandelas incluidos para asegurar los equipos al riel del rack. Coloque las arandelas entre los tornillos y los soportes de montaje del equipo.

**Nota:** Su equipo también puede incluir herramientas de montaje. Lea las instrucciones de montaje de su equipo antes de instalarlo.

**Para extraer las tuercas en jaula, siga los pasos 1 a 3 en sentido inverso.**

**Nota:** Puede usar una herramienta para tuercas en jaula (suministrada por el usuario) para ayudarse en la instalación y la extracción.



## 7. Especificaciones

Modelo	SR24UB
Dimensiones (A x An x P)	1169 x 600 x 850 mm (46.03 x 23.63 x 33.5 pulg.)
Peso de la unidad	56 kg (123 lb)
Capacidad de carga	453 kg (1000 lb)
Profundidad de montaje (Ajustable)	76 to 826 mm (3 a 32.5 pulg)

## 8. Almacenamiento y servicio

### Almacenamiento

El rack debe almacenarse en un ambiente interior controlado, lejos de la humedad, las temperaturas extremas, los líquidos y los gases inflamables, los contaminantes conductores, el polvo y la luz solar directa. Si es posible, almacénelo en su contenedor de envío original.

### Servicio

Su producto Tripp Lite está cubierto por la garantía descrita en este manual. Tripp Lite también pone a disposición una variedad de garantías extendidas y programas de servicio en el sitio. Para obtener más información sobre mantenimiento, visite [tripplite.com/support](http://tripplite.com/support). Antes de enviar el producto a mantenimiento, siga estos pasos:

1. Revise los procedimientos de instalación y operación descritos en este manual para asegurarse de que el problema de servicio no se origina en una mala comprensión de las instrucciones.
2. Si el problema continúa, no se comunique ni devuelva el producto al distribuidor. En su lugar, visite [tripplite.com/support](http://tripplite.com/support).
3. Si el problema requiere servicio, visite [tripplite.com/support](http://tripplite.com/support) y haga clic en el enlace Devolución de productos. Aquí puede solicitar un número de autorización de devolución de mercadería (RMA), que es necesario para el servicio. En este simple formulario en línea se le pedirá el modelo y números de serie de su unidad, junto con otra información general sobre el comprador. El número RMA y las instrucciones para el envío se le enviarán por correo electrónico. Esta garantía no cubre ningún daño (directo, indirecto, especial o consecuencial) que el producto sufra durante el envío a Tripp Lite o un centro de servicio autorizado por Tripp Lite. Los productos que se envían a Tripp Lite o un centro de servicio autorizado por Tripp Lite debe tener prepagos los cargos de envío. Escriba el número RMA en el exterior del paquete. Si el producto se encuentra dentro del período de garantía, adjunte una copia del recibo de venta. Envíe el producto para servicio a través de un transportador asegurado a la dirección que se le proporcione cuando solicite el RMA.

## 9. Garantía

### Garantía limitada por 5 años

El vendedor garantiza que este producto no tiene defectos originales de materiales ni de mano de obra por un período de cinco años a partir de la fecha original de compra, si se utiliza de acuerdo con todas las instrucciones correspondientes. En caso de demostrarse dentro de ese período que el producto tiene defectos de materiales o de mano de obra, el vendedor lo reparará o reemplazará a su exclusiva discreción.

ESTA GARANTÍA NO CUBRE EL DESGASTE NORMAL NI LOS DAÑOS CAUSADOS POR ACCIDENTES, MAL USO, ABUSO O NEGLIGENCIA. EL VENDEDOR NO OFRECE NINGUNA GARANTÍA EXPRESA QUE NO SEA LA ESTABLECIDA EXPRESAMENTE EN EL PRESENTE DOCUMENTO. EXCEPTO EN LA MEDIDA EN QUE LO PROHÍBAN LAS LEYES APLICABLES, LA DURACIÓN DE TODAS LAS GARANTÍAS IMPLÍCITAS, INCLUIDAS LAS DE COMERCIALIZACIÓN O APTITUD, SE LIMITA AL PERÍODO DE GARANTÍA ANTES MENCIONADO Y ESTA GARANTÍA EXCLUYE EXPRESAMENTE TODOS LOS DAÑOS INCIDENTALES E INDIRECTOS. (Algunos Estados no permiten las limitaciones a la duración de una garantía implícita y algunos Estados no permiten la exclusión o limitación de los daños incidentales o indirectos, de modo que las limitaciones o exclusiones antes mencionadas pueden no corresponder en su caso. Esta garantía le otorga derechos legales específicos y usted puede tener otros derechos que varían de una jurisdicción a otra).

ADVERTENCIA: Antes de usar este dispositivo, cada usuario debe ocuparse de determinar si es apto, adecuado o seguro para el uso que pretende darle. Dado que las aplicaciones individuales están sujetas a diversas variaciones, el fabricante no representa ni garantiza la idoneidad o condición de estos dispositivos para cualquier aplicación específica.

Tripp Lite tiene la política de mejora continua. Las especificaciones están sujetas a cambios sin notificación previa. Las fotografías e ilustraciones pueden diferir ligeramente de los productos reales.





# Manuel de l'utilisateur

## Armoire rack SmartRack® 24U

Modèle: SR24UB

### Table des matières

<b>1. Consignes de sécurité importantes</b>	<b>18</b>	<b>5. Configuration de l'armoire</b>	<b>22</b>
<b>2. Présentation</b>	<b>18</b>	5.1 Verrous des portes	22
<b>3. Identification des pièces de l'armoire</b>	<b>19</b>	5.2 Inversion du sens des portes	22
<b>4. Installation de l'armoire</b>	<b>20</b>	5.3 Rails de montage	22
4.1 Préparation	20	5.4 Ajuster la profondeur des rails de montage	22
4.2 Déballage	20	<b>6. Installation de l'équipement</b>	<b>23</b>
4.3 Installation des roulettes et des vérins de calage	20	6.1 Installer ou retirer les écrous à cage	23
4.4 Placement	20	<b>7. Spécifications techniques</b>	<b>23</b>
4.5 Régler la mise à niveau de l'armoire	21	<b>8. Entreposage et entretien</b>	<b>24</b>
4.6 Mise à la terre	21	<b>9. Garantie</b>	<b>24</b>
		English	1
		Español	9
		Русский	25



1111 W. 35th Street, Chicago, IL 60609 USA • [triplite.com/support](http://triplite.com/support)

Copyright © 2022 Tripp Lite. Toutes les marques commerciales sont la propriété exclusive de leurs propriétaires respectifs.

# 1. Consignes de sécurité importantes



## CONSERVER CES INSTRUCTIONS.

Toutes les sections de ce manuel contiennent des instructions et des avertissements qui doivent être suivis pendant l'installation et l'utilisation des boîtiers décrits dans ce manuel. Lire attentivement toutes les instructions et les avertissements avant d'essayer de déplacer, d'installer ou d'utiliser les boîtiers décrits dans ce manuel. Le non-respect de ces instructions et de ces avertissements créera un risque de lésions corporelles et de dommages matériels, et pourrait annuler la garantie.

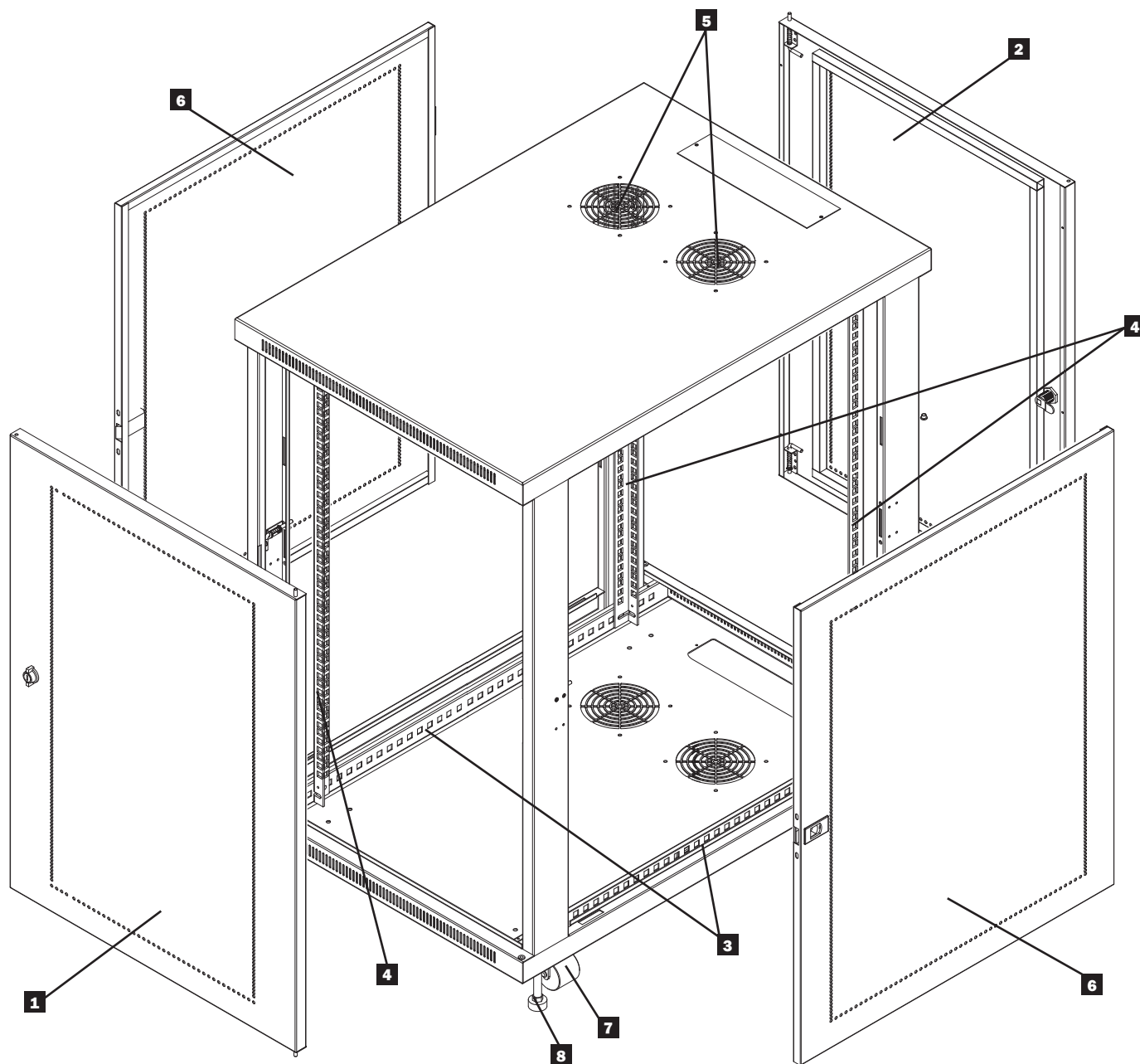
- Garder le boîtier dans un environnement intérieur contrôlé, à l'écart de l'humidité, des températures extrêmes, des liquides et des gaz inflammables, des contaminants conducteurs, de la poussière et de la lumière directe du soleil.
- Allouer suffisamment d'espace à l'avant et à l'arrière du boîtier pour assurer une ventilation adéquate. Ne pas bloquer, couvrir ou insérer des objets dans les ouvertures de ventilation externes du boîtier.
- Le boîtier est extrêmement lourd. Faire preuve de vigilance lors de la manutention du boîtier. Ne pas tenter de le déballer, de le déplacer ou de l'installer sans assistance. Utiliser un dispositif mécanique comme un chariot élévateur à fourche ou un transpalette manuel pour déplacer le boîtier dans le conteneur d'expédition.
- Ne placer aucun objet sur le boîtier, en particulier des récipients contenant un liquide, et ne pas empiler d'objets sur les boîtiers.
- Inspecter le conteneur d'expédition et le boîtier pour s'assurer qu'ils n'ont subi aucun dommage durant le transport. Ne pas utiliser le boîtier s'il est endommagé.
- Laisser le boîtier dans le conteneur d'expédition jusqu'à ce qu'il soit déplacé aussi près que possible de l'emplacement d'installation final. Les roulettes sont conçues pour des ajustements de position mineurs à l'emplacement final de l'installation seulement. Les roulettes ne sont pas conçues pour déplacer le boîtier sur de grandes distances.
- Les roulettes ne sont pas conçues pour fournir un support à long terme au boîtier après l'installation finale. Utiliser les vérins pour fournir un support à long terme.
- Installer le boîtier dans un endroit solidement construit capable de supporter la charge, ou sur un plancher au niveau capable de supporter le poids du boîtier, de tout l'équipement qui sera installé dans le boîtier et de tout autre boîtier ou équipement qui sera installé à proximité.
- Installer l'armoire de façon sécuritaire à la structure du bâtiment en utilisant les supports de fixation comme illustré dans la section Installation du boîtier de ce manuel.
- Ne pas déplacer le boîtier en poussant sur ses panneaux latéraux. Le fait de pousser sur les panneaux latéraux crée un risque de basculement.
- Si le boîtier est déplacé sur ses roulettes, toujours le pousser par derrière; ne jamais le tirer vers soi.
- Sans supervision adéquate, un boîtier déplacé sur ses roulettes peut causer des blessures corporelles et des pertes matérielles. Si le boîtier doit être roulé vers le bas d'une rampe, procéder avec la plus grande prudence. Ne pas tenter d'utiliser des rampes qui ont une pente supérieure à 1:12.
- Faire preuve de vigilance au moment de couper le matériel d'emballage. Le boîtier pourrait être égratigné, causant des dommages qui ne sont pas couverts par la garantie.
- Conserver tout le matériel d'emballage en vue d'une utilisation ultérieure. Remballer et expédier le boîtier sans le matériel d'emballage d'origine pourrait causer des dommages au produit et annuler la garantie.
- Ne pas réexpédier le boîtier avec de l'équipement supplémentaire à moins que le boîtier n'ait été expédié avec une palette antichoc spéciale (modèles « SP1 » seulement). Le poids combiné du boîtier et de l'équipement installé ne doit pas excéder la capacité de charge de la palette. Tripp Lite n'est pas responsable des dommages qui peuvent survenir pendant la réexpédition.
- **DANGER : RISQUE LIÉ À LA STABILITÉ. L'INSTALLATION DES BÂTIS DOIT ÊTRE CONFIEE UNIQUEMENT À DU PERSONNEL D'ENTRETIEN QUALIFIÉ.**
- Il n'est pas recommandé d'utiliser cet équipement pour des appareils de survie où une défaillance de cet équipement peut, selon toute vraisemblance, entraîner la défaillance de l'appareil de maintien de la vie ou nuire de façon majeure à sa sécurité ou à son efficacité.

## 2. Présentation

Les armoires SmartRack conviennent pour tous les équipements standards sur bâti de 48,26 cm (19") quel que soit le fabricant et sont expédiées entièrement montées pour une mise en place rapide et facile.

### 3. Identification des pièces de l'armoire

- 1 Porte avant verrouillage/réversible
- 2 Porte arrière verrouillage/réversible
- 3 Rails horizontaux
- 4 Rails de montage verticaux
- 5 Aérations
- 6 Panneaux des cotés verrouillage/amovibles
- 7 Roulettes
- 8 Pieds de mise à niveaux



## 4. Installation de l'armoire



**Attention ! Lisez toutes les instructions et les avertissements avant l'installation !**



**AVERTISSEMENT : Le boîtier pour bâti est extrêmement lourd. Ne pas tenter de déballer, déplacer ou installer le boîtier sans aide. Avant qu'il ne soit correctement installé et stabilisé, le boîtier est sujet à basculer et pourrait causer des dommages graves à la propriété ou des blessures. Faire preuve de vigilance lors de la manutention du boîtier et s'assurer de respecter toutes les instructions concernant la manutention et l'installation. Ne pas tenter d'installer l'équipement sans d'abord stabiliser le boîtier.**

### 4.1 Préparation

L'armoire doit être installée dans un endroit structurellement capable de supporter le poids de l'armoire, de tout équipement qui sera installé dans l'armoire ou toute autre armoire et/ou équipement qui sera installé à proximité. Avant de déballer l'armoire, le conteneur d'expédition doit être rapproché le plus près possible du lieu définitif d'installation pour minimiser la distance de déplacement de l'unité après avoir déballé l'emballage de protection. Si vous prévoyez d'entreposer l'armoire pour une durée prolongée avant de l'installer, suivez les instructions de la section **Entreposage et entretien**.

Plusieurs outils seront nécessaires :

- Barre de niveau
- Clé à fourche de 14 mm ou clé mixte
- Clé à fourche de 10 mm ou clé mixte (2)
- Tournevis à tête Phillips

### 4.2 Unpacking



**Il faut au moins deux personnes pour déballer l'armoire.**

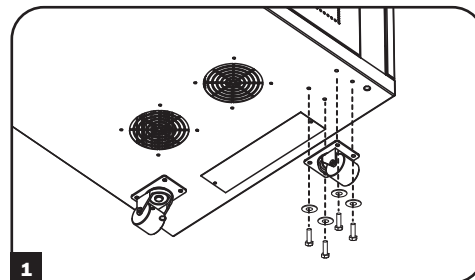


- 1 Déplacez la palette d'expédition sur une surface solide et au niveau.
- 2 Conservez tous le matériel d'emballage sauf si vous êtes certain(e) de ne pas en avoir besoin. Le matériel d'emballage est recyclable.
- 3 Avec une personne de chaque côté, retirez l'armoire de la palette en la soulevant et posez-la sur une surface solide et au niveau.
- 4 Examinez l'armoire pour vérifier qu'elle n'a subi aucun dommage ou qu'aucune pièce ne s'est détachée. En cas de dommage ou de pièce manquante, contactez l'assistance de Tripp Lite. N'essayez pas d'utiliser l'armoire si elle est endommagée.

### 4.3 Installation des roulettes et des vérins de calage

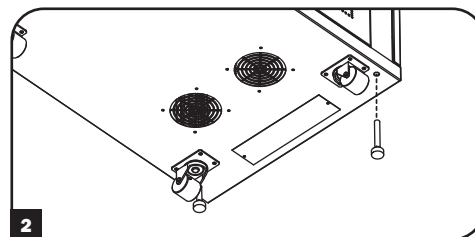
#### 1 Installation des roulettes

L'ensemble d'accessoires SRCASTER de Tripp Lite est inclus avec votre armoire de bâti. Cet ensemble contient 4 roulettes qui doivent être installées avec des écrous, des rondelles et des boulons. Avec une clé à fourche 10 mm ou une clé mixte, fixez les roulettes à la base de l'unité sur les trous pré-perçés aux quatre coins de l'armoire.



#### 2 Installation des vérins de calage

Il y a 4 vérins de calage inclus avec votre boîtier, 2 pour l'avant et 2 pour l'arrière. À l'aide d'une clé à fourche de 14 mm, installer les vérins de calage sur la base de l'unité en utilisant les trous taraudés près de chaque coin de l'armoire en tournant le vérin dans le sens inverse des aiguilles d'une montre. Lorsque le boîtier est déplacé de son emplacement d'installation, utiliser une clé à fourche de 14 mm pour niveler le boîtier.



### 4.4 Placement

Vous pouvez utiliser les roulettes pour déplacer l'armoire sur une petite distance, sur une surface au niveau et lisse en la poussant depuis l'avant ou l'arrière, (pas sur les côtés) . N'essayez pas de déplacer l'armoire sur roulettes sur de longues distances. L'armoire doit être rapprochée le plus près possible du lieu où il sera installé dans son conteneur d'expédition avant de la déballer. **Attention : Utilisez l'équipement adéquat et suivez toutes les procédures et règlements de sécurité applicables.**



**Attention : Ne tentez jamais de soulever ou d'installer l'armoire sans aide. Ne soulevez pas l'armoire seul.**



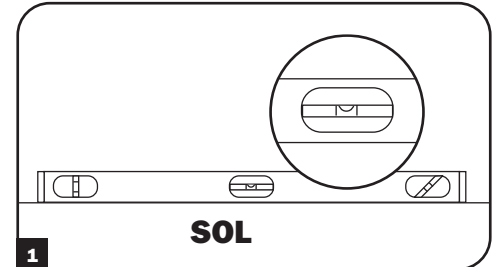
## 4. Installation de l'armoire (suite)

### 4.5 Mise à niveau



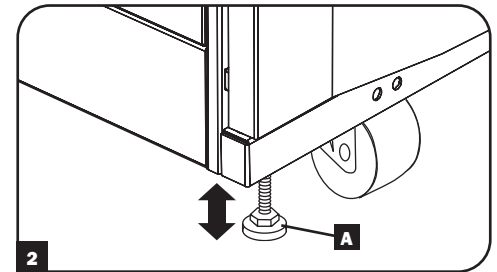
**AVERTISSEMENT : Mettre de niveau le boîtier avant de tenter d'installer l'équipement. Les roulettes ne sont pas conçues pour fournir un support à long terme au boîtier. Utiliser les vérins pour fournir un support à long terme. Installer le boîtier dans un endroit solidement construit capable de supporter la charge, ou sur un plancher au niveau capable de supporter le poids du boîtier, de tout l'équipement qui sera installé dans le boîtier et de tout autre boîtier ou équipement qui sera installé à proximité.**

- 1 Après avoir déplacé l'armoire vers l'endroit où elle sera installée, utilisez une barre de mise à niveau de charpentier pour vérifier le nivellement du sol. Si l'inclinaison du sol est supérieure à 1%, choisissez un autre endroit d'installation.

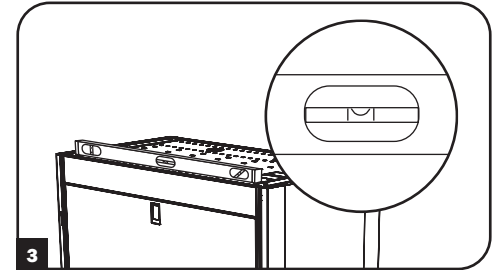


- 2 Avec une clé à fourche de 14 mm, abaissez chaque réglage de niveau **A** jusqu'à ce qu'il touche le sol (il y a 4 réglages de niveau, 2 à l'avant et 2 à l'arrière). Assurez-vous que chaque réglage de niveau est solidement en contact avec le sol.

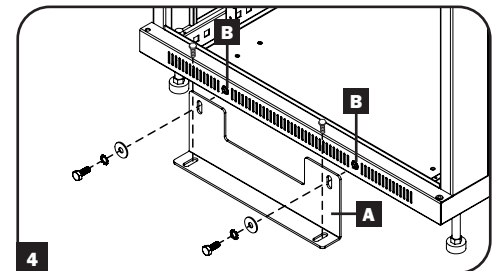
**Remarque :** Abaissez un réglage de niveau en tournant dans le sens des aiguilles d'une montre; relevez un réglage de niveau en tournant dans le sens contraire des aiguilles d'une montre.



- 3 Après avoir abaissé chaque réglage de niveau, utilisez la barre de niveau de charpentier pour confirmer que l'armoire est bien à niveau à toutes les directions. Ajustez le réglage de niveau en fonction jusqu'à ce que l'armoire soit bien au niveau.



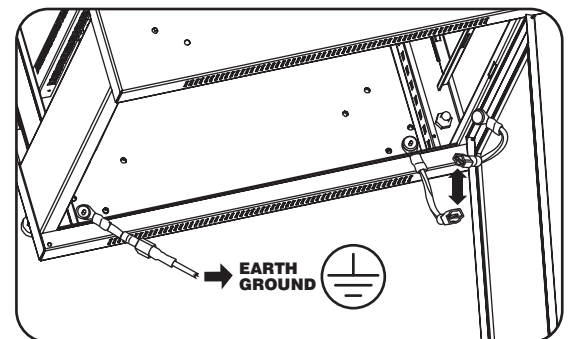
- 4 Pour retenir l'armoire à la structure du bâtiment pour fournir une stabilité, fixer les 2 supports de fixation en utilisant la quincaillerie fournie avec les supports. Utiliser une clé à fourche de 13 mm pour connecter les supports **A** aux points de montage des supports extérieurs du boîtier **B**. Fixer les supports pour fixer les points de montage dans le plancher en utilisant de la quincaillerie fournie par l'utilisateur ou la trousse de fixation SmartRack de Tripp Lite (n° d'article SRBOLTDOWN).



### 4.6 Mise à la terre

- Toutes les pièces de l'armoire sont mises à la terre au cadre de l'armoire.
- Des gougeons de mise à la terre sont prévus aux quatre coins de l'armoire pour permettre la mise à la terre de toutes les configurations (y compris l'inversion du sens des portes avant et arrière).
- Des trous de mises à la terre sont également prévus aux coins supérieurs et inférieurs des portes avant et arrière pour permettre toutes les configurations.
- Pour mettre l'armoire à la terre, connectez simplement les deux fils de mise à la terre, l'un sur le trou prévu à l'intérieur de la porte avant ou arrière, et l'autre au gougeon prévu à l'un des coins de l'armoire. Branchez votre installation de mise à la terre au gougeon de mise à la terre non utilisé sur les branchements de la porte avec un fil 8 AWG (3,264 mm).

**Attention : Chaque armoire doit être mise à la terre séparément. N'utilisez pas l'armoire avant d'avoir effectué le branchement à la terre.**



## 5. Configuration de l'armoire

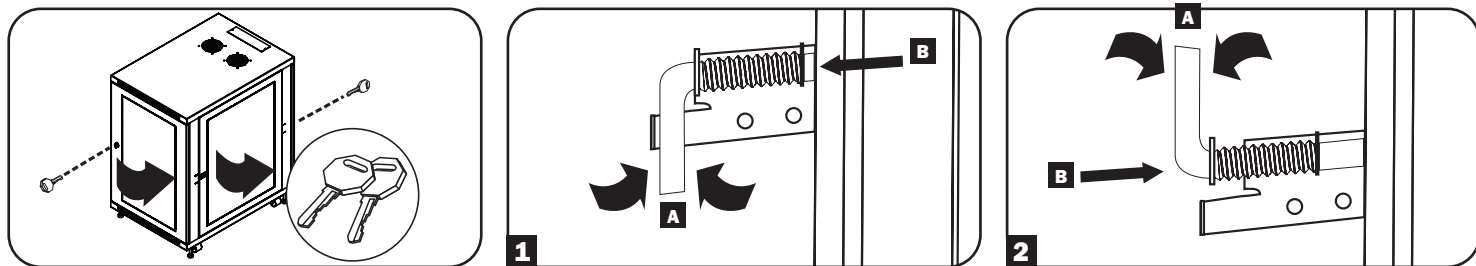
### 5.1 Verrous des portes

Les portes avant et arrière sont équipées de serrures pouvant être barrées et débarrées au moyen des clés incluses.

Chaque panneau latéral se verrouille au moyen d'un levier en « L » monté à l'intérieur du boîtier.

- 1 Pour déverrouiller et retirer les panneaux latéraux, levez la patte la plus courte du « L » et éloignez-la du panneau latéral. Tirez l'onglet sur le panneau latéral et retirez celui-ci du boîtier.
- 2 Pour reverrouiller les panneaux latéraux, montez-les à la position appropriée, levez la patte la plus courte du « L » et poussez-la vers le panneau latéral, de retour dans le trou où elle se trouvait initialement. Lorsqu'elle est en place, poussez la patte courte du « L » vers le bas pour la verrouiller.

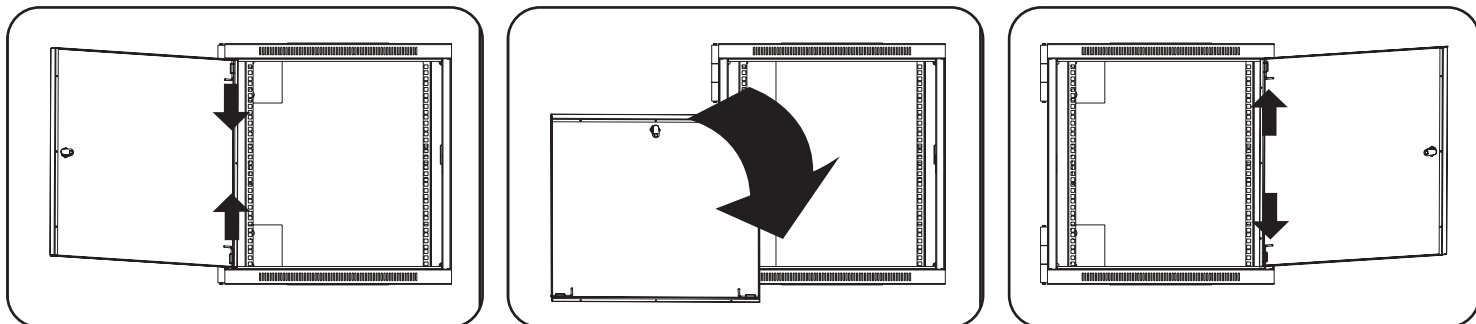
**Remarque :** Pour verrouiller ou déverrouiller les panneaux latéraux, vous devez avoir accès à l'intérieur du boîtier.



### 5.2 Inverser le sens des portes

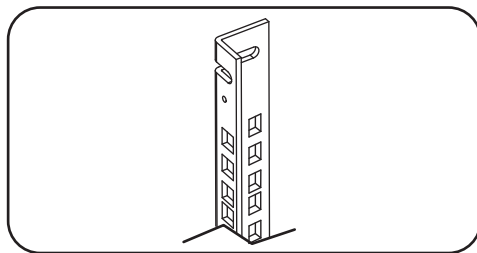
Les portes de l'armoire sont maintenues en place sur le cadre de l'armoire par deux linguets à ressort. Pour inverser la direction de l'ouverture des portes, relâchez simplement les linguets en les tirant vers le haut (linguet inférieur) ou vers le bas (linguet supérieur) et en les retirant des trous de montage du cadre de l'armoire.

Tournez la porte dans le sens opposé et remplacez les linguets dans les mêmes trous de montage sur l'autre côté du cadre de l'armoire en les alignant sur les trous de montage et en les remettant en place.



### 5.3 Rails de montage

L'armoire est fournie avec des rails de montage qui comportent des trous carrés pour monter les équipements sur bâti. Pour installer l'équipement, utilisez les écrous à cage et tout autre élément de montage (voir les détails de l'installation des écrous de cage en page 7). **Attention : Assurez-vous de placer d'abord l'armoire à l'endroit définitif au sol avant de monter tout équipement à l'intérieur. Vérifiez également l'ajustement des rails avant d'y monter l'équipement. (Voir ci-dessous pour l'ajustement de la profondeur des rails de montage.)**

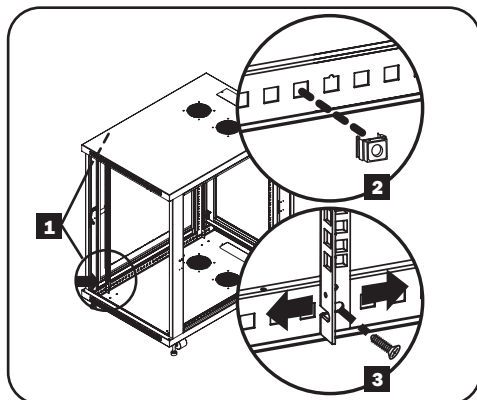


### 5.4 Ajuster la profondeur des rails de montage

**Attention : N'essayez pas d'ajuster les rails de montage avec de l'équipement installé dans l'armoire. N'utilisez pas les rails sans les avoir d'abord vissés. (2 vis par rail.)**

Les 4 rails de montage sont préinstallés pour recevoir de l'équipement d'une profondeur de montage de 521 mm (20,5 po). N'ajustez pas les rails de montage à moins que votre équipement nécessite une profondeur de montage différente. Les rails avant et arrière peuvent être ajustés indépendamment pour le montage d'équipement de 76 mm à 826 mm de profondeur (3 à 32,5 po).

- 1 Chaque rail est connecté au boîtier au moyen de 2 vis et de 2 écrous à cage : 1 ensemble dans le coin supérieur et un autre dans le coin inférieur. À l'aide d'un tournevis Phillips, enlever les vis qui retiennent les rails au boîtier.
- 2 Déplacer les écrous à cage à la profondeur désirée et réinstaller.
- 3 Faites glisser les rails de montage à la profondeur désirée et revissez les vis retirées à la première étape.



## 6. Installation de l'équipement

**Attention :** N'installez aucun équipement avant d'avoir installé l'armoire de manière stable. Installez d'abord l'équipement le plus lourd et installez-le au bas de l'armoire. Installez l'équipement en partant du bas de l'armoire et en remontant vers le haut de l'armoire – jamais l'inverse. Si vous utilisez des rails d'équipement coulissants, faites-les coulisser avec précaution. Ne faites coulisser qu'un ensemble de rails à la fois. Évitez de faire coulisser les rails d'équipement coulissant près du haut de l'armoire.

**Remarque :** Les trous carrés au milieu de chaque unité du bâti sont numérotés et incluent également une petite encoche pour faciliter l'identification. Chaque unité du bâti inclut l'espace occupé par le trou numéroté et les trous directement au-dessus ou au-dessous.



### 6.1 Installer et retirer les écrous à cage

**ATTENTION :** Les brides des écrous à cage doivent rentrer sur les côtés de l'ouverture carrée du rail, et non pas dans le haut ou le bas. Suivez les instructions sur la documentation de votre équipement pour vous assurer de l'installation appropriée de l'équipement.

- 1 Localisez les ouvertures des trous carrés numérotés sur les rails de montage où vous prévoyez installer votre équipement. Vous installerez les écrous à cage (fournis) dans les ouvertures carrées afin de donner un point de fixation aux vis de montage (fournies).

**Remarque :** Consultez la documentation de votre équipement pour déterminer combien d'écrous à cage seront nécessaires et où ils devront être installés.

- 2 Insérer une des brides des écrous à cage dans l'ouverture carrée, depuis l'intérieur du rail de montage. Enfoncez-la sur le côté de l'ouverture carrée. Chaque bride doit entrer dans le côté de l'ouverture carrée, et non pas dans le haut ou le bas.

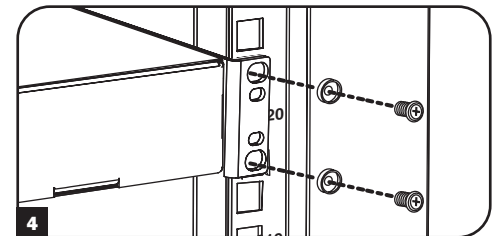
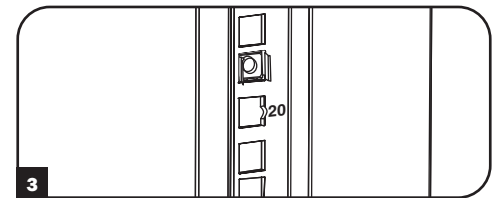
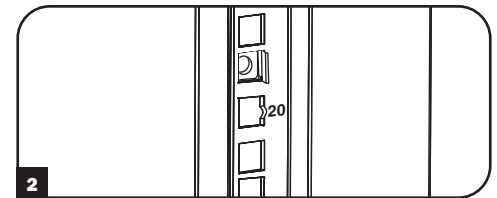
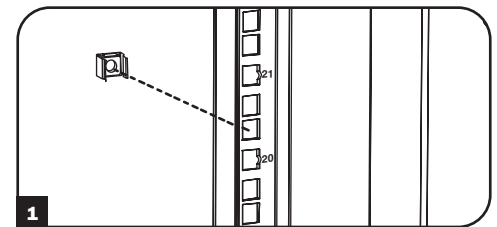
- 3 Enfoncez légèrement l'écrou à cage sur les côtés pour permettre à la bride restante de passer dans l'ouverture carrée. Lorsque l'écrou à cage est correctement installé, les deux brides sortiront par l'ouverture carrée et seront visibles sur la surface extérieure du rail de montage. Répétez les étapes 1 à 3 jusqu'à ce que les écrous à cage soient installés.

- 4 Après avoir installé les écrous à cage nécessaires, utilisez les vis de montage et les rondelles à collerette pour fixer votre équipement au rail de montage. Placez les rondelles à collerette entre les vis et les supports de montage de l'équipement.

**Remarque :** Votre équipement peut également inclure du matériel de montage. Lisez les instructions de montage fournies avec votre équipement avant de l'installer.

**Pour retirer les écrous à cage, inversez les étapes 1 à 3**

**Remarque :** Vous pouvez utiliser un outil à écrou à cage (non fourni) pour faciliter l'installation et le retrait des écrous à cage.



## 7. Spécifications techniques

Modèle	SR24UB
Dimensions (H x L x P)	1169 x 600 x 850 mm (46,03 x 23,63 x 33,5 po)
Poids de l'unité	56 kg (123 lb)
Capacité de charge	453 kg (1000 lb)
Profondeur de montage (ajustable)	De 76 à 826 mm (3 à 32,5 po)

## 8. Entreposage et entretien

### Entreposage

L'armoire doit être entreposée dans un environnement intérieur contrôlé, à l'abri de l'humidité, des températures extrêmes, des liquides et des gaz inflammables, des contaminants conducteurs, de la poussière et du soleil. Entrez l'armoire dans son emballage et conteneur d'expédition d'origine si possible.

### Entretien

Votre produit Tripp Lite est couvert par la garantie décrite dans ce manuel. Tripp Lite propose plusieurs plans d'extension de garantie ou de dépannage/maintenance sur site. Pour de plus amples renseignements, visitez le site [triplite.com/support](http://triplite.com/support). Avant de renvoyer votre produit pour service, suivez les étapes suivantes :

1. Passer en revue les procédures d'installation et d'opération de ce manuel afin de vous assurer que le problème en question ne provient pas d'une fausse interprétation des instructions.
2. Si le problème persiste, ne pas contacter ou retourner le produit au détaillant. Visitez plutôt [triplite.com/support](http://triplite.com/support).
3. Si le problème nécessite des réparations, visitez le site [triplite.com/support](http://triplite.com/support) et cliquez sur le lien Product Returns (Retour des produits). De là, vous pouvez demander un numéro d'autorisation de retour de matériel (RMA), nécessaire pour une réparation. Vous devez indiquer le modèle et les numéros de série de votre unité sur le formulaire en ligne simple et préciser les détails de l'acheteur. Le numéro RMA et les instructions de renvoi vous seront adressés par courriel. Tout dommage (direct ou indirect, spécifique ou conséquent) au produit, subi au cours de l'expédition à Tripp Lite ou à un centre de service autorisé de Tripp Lite, ne sera pas couvert par la garantie. Les frais d'expédition des produits renvoyés à Tripp Lite ou à un centre de service autorisé de Tripp Lite doivent être prépayés. Notez le numéro RMA sur le colis. Si le produit est sous garantie, joignez une copie de votre preuve d'achat. Renvoyez le produit à être réparé par transporteur assuré, à l'adresse qui vous a été donnée lors de votre demande de RMA.

## 9. Garantie

### Garantie limitée de 5 ans

Le vendeur garantit que ce produit, si celui-ci est utilisé conformément à toutes les instructions applicables, est dépourvu de défauts de matière et de main d'œuvre pendant une période de 5 ans à partir de la date initiale d'achat. Si le produit présente un défaut de matière ou de main d'œuvre pendant cette période, le vendeur s'engage à le réparer ou à le remplacer, à sa seule discrétion.

CETTE GARANTIE NE S'APPLIQUE NI A L'USURE NORMALE NI AUX DOMMAGES RÉSULTANT D'UN ACCIDENT, D'UNE MAUVAISE UTILISATION, D'UN ABUS OU D'UNE NÉGLIGENCE. LE VENDEUR N'ACCORDE AUCUNE GARANTIE EXPRESSE CELLE MENTIONNÉE EXPRESSÉMENT DANS LA PRÉSENTE. SAUF DANS LA MESURE OU LES LOIS PERTINENTES L'INTERDISSENT, TOUTES LES GARANTIES IMPLICITES, Y COMPRIS LES GARANTIES DE QUALITÉ MARCHANDE OU D'ADÉQUATION, SONT LIMITÉES À LA DURÉE DE LA PÉRIODE DE GARANTIE DÉFINIE CI-DESSUS ; ET CETTE GARANTIE EXCLUT EXPRESSÉMENT TOUS LES DOMMAGE FORTUITS OU CONSECUTIFS. (Certaines juridictions n'autorisant pas de limitation de la durée de la garantie implicite et d'autre l'exclusion ou la limitation des dommages fortuits ou consécutifs, les limitations ou exclusions mentionnées ci-dessus peuvent ne pas s'appliquer à votre cas. La présente garantie vous donne des droits spécifiques et vous pouvez jouir d'autres droits qui varient d'une juridiction à une autre.)

**AVERTISSEMENT :** Avant tout usage, l'utilisateur doit déterminer si le dispositif est adapté à l'emploi prévu et si, le cas échéant, il ne présente aucun danger. Comme les applications peuvent différer considérablement les unes des autres, le fabricant ne fait aucune déclaration ni n'accorde aucune garantie quant à l'adéquation de ces appareils à une application donnée.

La politique de Tripp Lite est celle d'une amélioration continue. Les spécifications techniques peuvent être modifiées sans préavis. Les produits réels peuvent différer légèrement des photos et des illustrations.



1111 W. 35th Street, Chicago, IL 60609 USA • [triplite.com/support](http://triplite.com/support)



# Руководство пользователя

## Шкаф серии SmartRack® высотой 24U

Модель: SR24UB  
(номер серии: AG-039A)

### Содержание

1. Важные указания по технике безопасности	26	5. Компоновка шкафа	30
2. Краткое описание	26	5.1 Дверные замки	30
3. Схема расположения функциональных элементов	27	5.2 Перестановка дверец	30
4. Порядок установки шкафа	28	5.3 Монтажные направляющие	30
4.1 Подготовка	28	5.4 Регулировка глубины монтажных направляющих	30
4.2 Распаковка	28	6. Установка оборудования	31
4.3 Установка роликов и регулировочных ножек	28	6.1 Установка/снятие закладных гаек	31
4.4 Размещение	28	7. Технические характеристики	31
4.5 Выравнивание шкафа	29	8. Хранение и техническое обслуживание	32
4.6 Заземление	29	9. Гарантийные обязательства	32
		English	1
		Español	9
		Français	17

EAC

**TRIPP·LITE**



Продукция высшего качества.

1111 W. 35th Street, Chicago, IL 60609 USA • [tripplite.com/support](http://tripplite.com/support)

Охраняется авторским правом © 2022 Tripp Lite. Все торговые знаки являются исключительной собственностью своих соответствующих владельцев.

# 1. Важные указания по технике безопасности



## СОХРАНИТЕ НАСТОЯЩИЕ УКАЗАНИЯ

Во всех разделах настоящего руководства содержатся указания и предупреждения, которые необходимо соблюдать в процессе установки и эксплуатации описанных в нем шкафов. Внимательно ознакомьтесь со всеми указаниями и предупреждениями перед выполнением любых действий, связанных с перемещением, установкой или эксплуатацией шкафов, описанных в настоящем руководстве. Несоблюдение данного требования создаст опасность получения травм или возникновения имущественного ущерба и может привести к аннулированию гарантии.

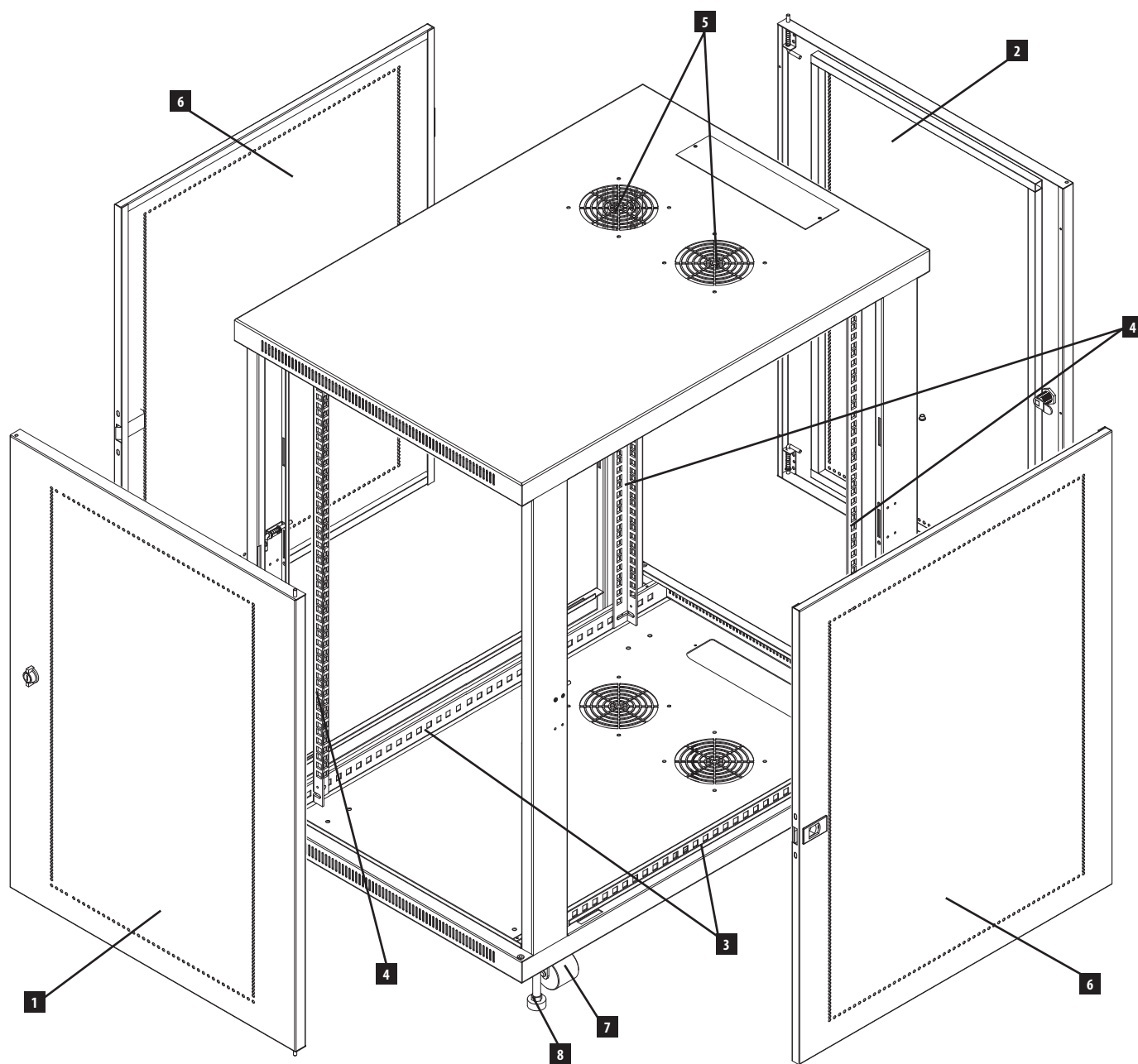
- Шкаф должен находиться в помещении с контролируемым микроклиматом вдали от источников влаги, экстремальных температур, воспламеняющихся жидкостей и газов, электропроводных загрязнителей, пыли и прямого солнечного света.
- Перед шкафом и позади него необходимо обеспечить достаточно свободного пространства для его надлежащего проветривания. Не загромождайте и не накрывайте внешние вентиляционные отверстия шкафа, а также не вставляйте в них какие-либо предметы.
- Шкаф является крайне тяжеловесным. При перемещении шкафа соблюдайте осторожность. Не пытайтесь распаковать, перемещать или устанавливать его в одиночку. Для перемещения шкафа внутри транспортировочного контейнера используйте механическое устройство типа вилочного погрузчика или вилочной гидравлической тележки.
- Не кладите на шкаф какие-либо предметы, особенно емкости с жидкостями, а также не устанавливайте шкафы друг на друга.
- Осмотрите транспортировочный контейнер и шкаф на предмет наличия повреждений, полученных при транспортировке. Не пользуйтесь шкафом в случае его повреждения.
- Не извлекайте шкаф из транспортировочного контейнера до его перемещения на максимально близкое расстояние к месту окончательной установки. Ролики предназначены только для незначительных корректировок положения на месте окончательной установки. Ролики не рассчитаны на перемещение шкафа на большие расстояния.
- Ролики также не рассчитаны на долговременное использование в качестве опоры для шкафа после его окончательной установки. В качестве долговременной опоры используйте приспособления для выравнивания.
- Шкаф должен быть установлен в конструкционно прочном месте с ровным основанием, способным выдерживать вес самого шкафа, всего оборудования, которое будет установлено внутри него, а также любых других шкафов и/или оборудования, которые будут установлены вблизи него.
- Прочно установите шкаф на строительную конструкцию с помощью удерживающих кронштейнов, как показано на рисунке в разделе **Порядок установки шкафа** данного руководства.
- При перемещении шкафа не следует толкать его со стороны боковых панелей. При толкании корпуса со стороны боковых панелей существует опасность его опрокидывания.
- При перекатывании шкафа на роликах обязательно толкайте его сзади и ни в коем случае не тяните на себя.
- Перекатывание шкафа без надлежащего контроля может привести к причинению травм или имущественного ущерба. При необходимости скатывания шкафа вниз по наклонной плоскости соблюдайте предельную осторожность. Не используйте наклонные плоскости с уклоном более 12%.
- При разрезании упаковочных материалов соблюдайте осторожность. Это может привести к нанесению царапин на поверхность шкафа, что представляет собой ущерб, не покрываемый действующей гарантией.
- Все упаковочные материалы следует сохранить для последующего использования. Повторная упаковка и транспортировка шкафа без использования оригинальных упаковочных материалов может привести к повреждению изделия, которое повлечет за собой аннулирование действующей гарантии.
- Не допускается последующая транспортировка шкафа с дополнительным оборудованием за исключением случаев первоначальной поставки шкафа со специальным ударозащищенным поддоном (только для моделей SP1). Суммарный вес шкафа и установленного в нем оборудования не должен превышать грузоподъемность поддона. Компания Tripp Lite не несет ответственности за какой-либо ущерб, причиненный в процессе последующей транспортировки.
- **ОПАСНОСТЬ: ВО ИЗБЕЖАНИЕ ПОТЕРИ УСТОЙЧИВОСТИ УСТАНОВКА ШКАФОВ ДОЛЖНА ПРОИЗВОДИТЬСЯ ТОЛЬКО КВАЛИФИЦИРОВАННЫМ СЕРВИСНЫМ ПЕРСОНАЛОМ.**
- Не рекомендуется использование данного оборудования в системах жизнеобеспечения, где его выход из строя предположительно может привести к перебоям в работе оборудования жизнеобеспечения или в значительной мере снизить его безопасность или эффективность.

## 2. Краткое описание

Шкафы семейства SmartRack вмещают в себя все стандартное 19-дюймовое оборудование независимо от его производителя и поставляются полностью в сборе для обеспечения скорости и легкости ввода в эксплуатацию.

### 3. Схема расположения функциональных элементов

- 1 Запираемая/переставляемая передняя дверца
- 2 Запираемая/переставляемая задняя дверца
- 3 Горизонтальные направляющие
- 4 Вертикальные монтажные шины
- 5 Вентиляционные отверстия
- 6 Запираемые/съемные боковые панели
- 7 Ролики
- 8 Регулировочные ножки



## 4. Порядок установки шкафа



**Внимание! Перед установкой внимательно ознакомьтесь со всеми указаниями и предупреждениями!**



**ВНИМАНИЕ!** Шкаф является крайне тяжеловесным. Не пытайтесь распаковывать, перемещать или устанавливать шкаф в одиночку. До момента надлежащей установки и уравнивания шкафа существует опасность его опрокидывания с возможным причинением травм и/или имущественного ущерба. Будьте предельно осторожны при перемещении шкафа и обязательно следуйте всем указаниям по обращению со шкафом и его установке. Не производите установку оборудования в шкаф до обеспечения его устойчивости.

### 4.1 Подготовка

Шкаф должен быть установлен в конструкционно прочном месте, способном выдерживать вес самого шкафа, всего оборудования, которое будет установлено внутри него, и любых других шкафов и/или оборудования, которые будут установлены вблизи него. Перед распаковкой шкафа следует доставить транспортировочный контейнер как можно ближе к месту окончательной установки с целью минимизации расстояния, на которое потребуется перемещать модуль после снятия защитной упаковки. Если вы планируете хранение шкафа в течение длительного периода времени до или после установки, следуйте указаниям, изложенным в разделе **Хранение и техническое обслуживание**.

Вам потребуются несколько инструментов:

- Уровень
- Рожковый или комбинированный гаечный ключ на 14 мм
- Рожковый или комбинированный гаечный ключ на 10 мм (2 шт.)
- Крестообразная отвертка

### 4.2 Распаковка



**Для распаковывания шкафа требуется не менее двух человек.**

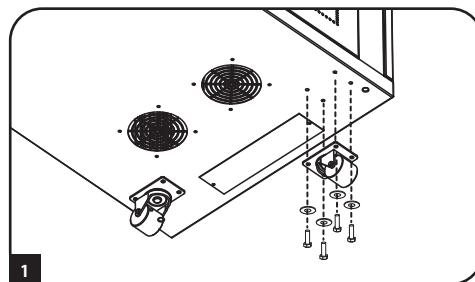


- 1 Переместите транспортировочный контейнер на прочную и ровную поверхность.
- 2 Все упаковочные материалы следует сохранить для последующего использования, если вы не убеждены в том, что они более не потребуются. Упаковочные материалы подлежат вторичной переработке.
- 3 Расположившись по одному человеку с каждой стороны, аккуратно снимите шкаф с поддона и поместите его на прочную и ровную поверхность.
- 4 Осмотрите шкаф на предмет наличия каких-либо повреждений или незакрепленных деталей. Убедитесь в наличии всех деталей. В случае отсутствия или повреждения каких-либо деталей обратитесь в компанию Tripp Lite за помощью. Не пользуйтесь шкафом в случае его повреждения.

### 4.3 Установка роликов и регулировочных ножек

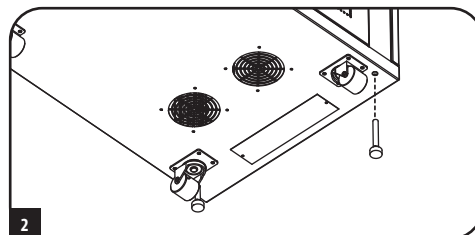
#### 1 Установка роликов

Шкаф комплектуется набором вспомогательных роликов SRCASTER производства Tripp Lite. Комплект содержит 4 ролика с контргайками, шайбами и болтами, необходимыми для установки. С помощью рожковых или комбинированных гаечных ключей на 10 мм прикрепите ролики к основанию, используя заводские отверстия, расположенные по углам шкафа.



#### 2 Установка регулировочных ножек

В комплект шкафа входят 4 регулировочные ножки — по 2 шт. спереди и сзади. С помощью рожкового гаечного ключа на 14 мм установите регулировочные ножки в резьбовые втулки, расположенные по углам основания шкафа, вращая их против часовой стрелки. После перемещения шкафа к месту установки выровняйте его с помощью рожкового гаечного ключа на 14 мм.



### 4.4 Размещение

Ролики предназначены для перемещения шкафа на короткое расстояние по ровной, гладкой и устойчивой поверхности путем его толкания спереди или сзади (не со стороны боковых панелей). Не перекачивайте шкаф на длинные расстояния. Шкаф следует доставить как можно ближе к месту его установки внутри транспортировочного контейнера в упакованном виде. **Внимание! Следуйте всем применимым к данному случаю указаниям по технике безопасности и нормативным предписаниям, используя для этого соответствующее оборудование и оснастку.**



**Внимание! Ни в коем случае не пытайтесь извлекать шкаф из упаковки или устанавливать его без полноценной помощи. Не пытайтесь поднимать шкаф в одиночку.**



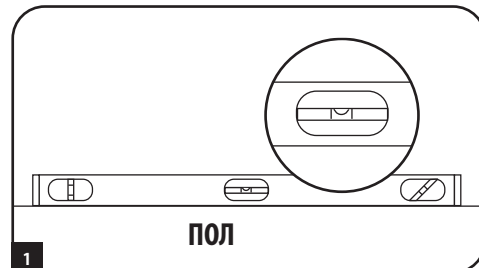
## 4. Установка шкафа (продолжение)

### 4.5 Выравнивание



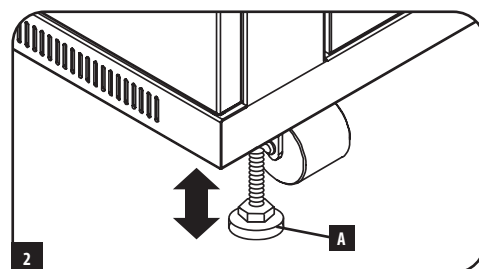
**ВНИМАНИЕ!** Выровняйте шкаф перед установкой в него оборудования. Ролики также не рассчитаны на долговременное использование в качестве опоры для шкафа. В качестве долговременной опоры используйте приспособления для выравнивания. Шкаф должен быть установлен в конструкционно прочном месте с ровным основанием, способным выдерживать вес самого шкафа, всего оборудования, которое будет установлено внутри него, а также любых других шкафов и/или оборудования, которые будут установлены вблизи него.

- 1** После перемещения шкафа к месту установки проверьте уклон пола с помощью строительного уровня. Если уклон пола превышает 1%, выберите для установки другое место.

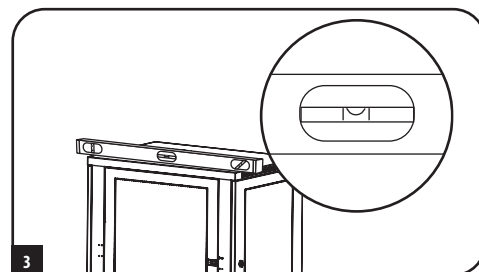


- 2** При помощи рожкового ключа на 14 мм выверните каждую регулировочную ножку **A** до ее соприкосновения с полом. (Шкаф имеет 4 приспособления для выравнивания – по 2 спереди и сзади). Убедитесь в том, что каждое из них плотно соприкасается с полом.

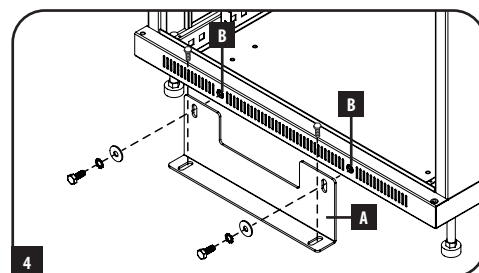
**Примечание.** Для вывертывания (опускания) регулировочной ножки ее следует вращать по часовой стрелке, а для заворачивания (поднимания) – против часовой стрелки.



- 3** После вывертывания каждой регулировочной ножки проверяйте с помощью строительного уровня, чтобы шкаф располагался ровно во всех направлениях. Регулируйте высоту регулировочных ножек по мере необходимости до тех пор, пока шкаф не будет установлен ровно.



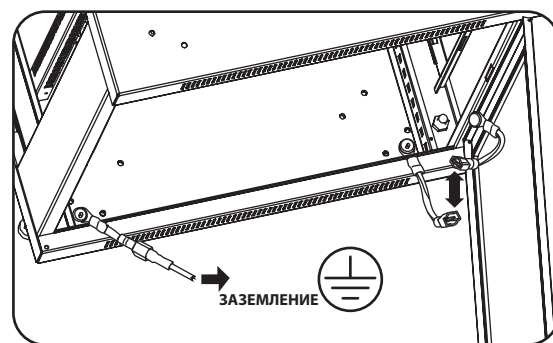
- 4** Для крепления шкафа к строительной конструкции с целью обеспечения устойчивости прикрепите 2 удерживающих кронштейна с помощью крепежных приспособлений, поставляемых в комплекте с кронштейнами. С помощью рожкового ключа на 13 мм закрепите кронштейны **A** во внешних точках крепления кронштейнов к шкафу **B**. Закрепите кронштейны в точках монтажного крепления к полу при помощи оснастки (в комплект не входит) или предлагаемого компанией Tripp Lite комплекта для крепления шкафов SmartRack к полу (кат. № SRBOLTDOWN).



### 4.6 Заземление

- Все детали шкафа заземляются через его каркас.
- Заземляющие контакты имеются во всех четырех углах шкафа, что обеспечивает возможность его заземления при любой компоновке (в том числе при перестановке передней или задней дверцы).
- Кроме того, в верхних и нижних углах передней и задней дверец имеются проушины для заземления, обеспечивающие возможность любой компоновки.
- Для заземления шкафа достаточно подсоединить два быстро отсоединяемых заземляющих провода: один к проушине на внутренней стороне передней или задней дверцы, другой — к заземляющему контакту, расположенному в любом из углов шкафа. Соедините заземляющий контакт, не используемый для подсоединения дверей, с шиной заземления своего объекта с помощью провода калибром 8 AWG (3,264 мм).

**Внимание!** Каждый шкаф должен подсоединяться к шине заземления по отдельности. Пользование незаземленным шкафом не допускается.



## 5. Компоновка шкафа

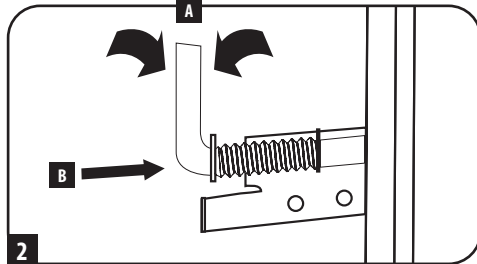
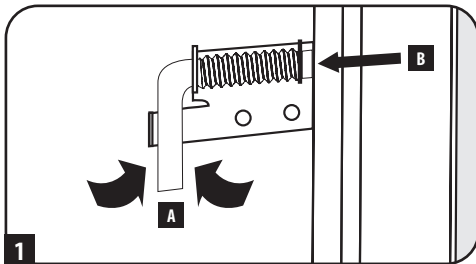
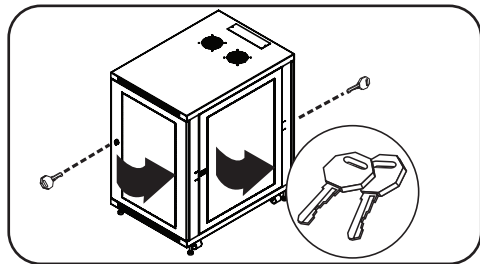
### 5.1 Дверные замки

Передняя и задняя дверцы оснащены замками, отпираемыми с помощью входящих в комплект ключей.

Каждая из боковых панелей запирается при помощи Г-образного рычажка с внутренней стороны шкафа.

- 1 Для отпираения и снятия боковых панелей следует поднять вверх короткое плечо Г-образного рычажка и отстранить его от боковой панели. Вынуть боковую панель из шкафа, потянув ее за язычок.
- 2 Для повторной фиксации боковой панели на своем месте следует установить ее в нужное положение, поднять вверх короткое плечо Г-образного рычажка и надавить на него в сторону боковой панели с целью поместить его обратно в то отверстие, где он находился первоначально. После того как короткое плечо Г-образного рычажка окажется на своем месте, следует зафиксировать его нажатием вниз.

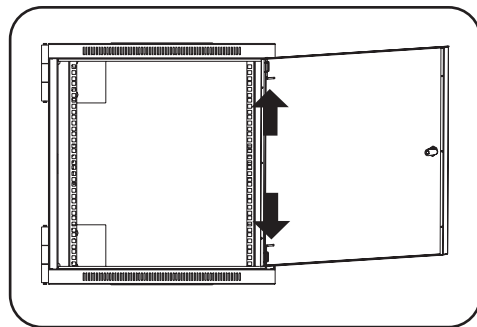
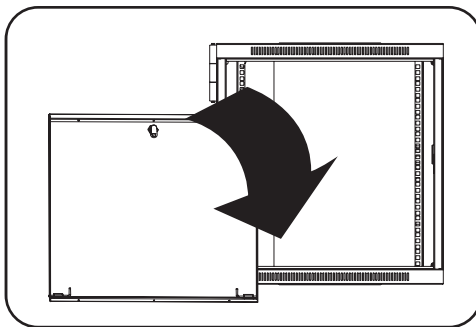
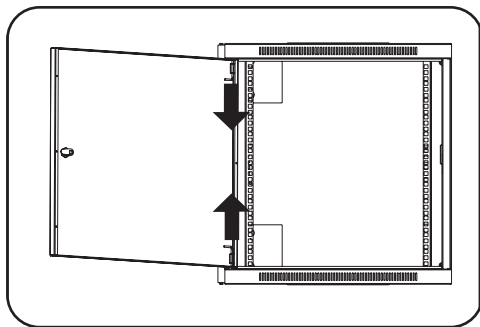
**Примечание.** Для запираения и отпираения боковых панелей необходимо иметь доступ внутрь шкафа.



### 5.2 Перестановка дверец

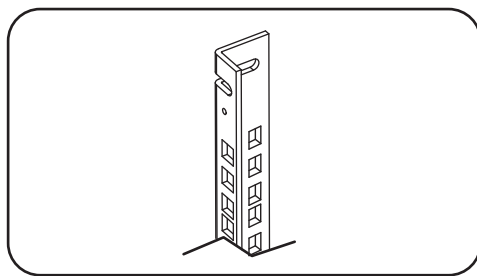
Дверцы шкафа удерживаются в нужном положении на его корпусе с помощью двух подпружиненных штифтов. Чтобы изменить направление открывания дверцы, достаточно вывести эти штифты из зацепления и вынуть их из монтажных отверстий в корпусе шкафа, потянув за них вверх (нижний штифт) или вниз (верхний штифт).

Переверните дверцу и установите штифты на свои места в такие же монтажные отверстия на другой стороне корпуса шкафа, совместив их с монтажными отверстиями и снова введя в зацепление.



### 5.3 Монтажные направляющие

Шкаф поставляется с монтажными направляющими, которые имеют квадратные отверстия для монтажа стоечного оборудования. Для установки оборудования следует использовать поставляемые в комплекте закладные гайки и прочую оснастку. (Порядок установки закладных гаек см. на стр 7). **Внимание! Перед установкой какого-либо оборудования внутрь шкафа необходимо убедиться в том, что он находится в своем конечном положении. Кроме того, перед монтажом оборудования необходимо должным образом отрегулировать все направляющие. (См. представленный ниже раздел "Регулировка глубины монтажных направляющих").**

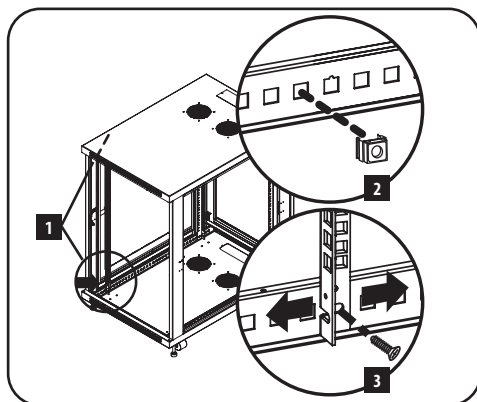


### 5.4 Регулировка глубины монтажных направляющих

**Внимание: не пытайтесь регулировать направляющие при установленном в шкаф оборудовании. Не пытайтесь использовать направляющие без установки винтов (по 2 на каждую направляющую).**

4 монтажные направляющие устанавливаются на заводе-изготовителе и рассчитаны на размещение оборудования с монтажной глубиной 521 мм. Не регулируйте монтажные направляющие за исключением тех случаев, когда для устанавливаемого вами оборудования требуется другая монтажная глубина. Передняя и задняя группы направляющих могут регулироваться независимо друг от друга для монтажа оборудования глубиной от 76 до 826 мм.

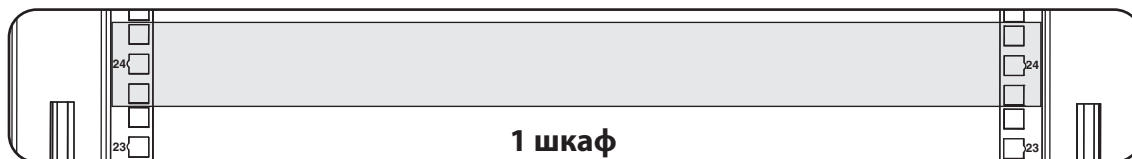
- 1 Каждая направляющая прикреплена к корпусу шкафа при помощи 2 винтов и 2 закладных гаек: одна пара таких деталей располагается в верхнем углу, а другая – в нижнем. С помощью крестообразной отвертки выверните винты, которые крепят направляющие к корпусу шкафа.
- 2 Переместите закладные гайки на желаемую глубину и установите винты на место.
- 3 Сдвиньте монтажные направляющие на желаемую глубину и снова закрепите их с помощью винтов, вывернутых на шаге 1.



## 6. Установка оборудования

**Внимание!** Не устанавливайте оборудование до обеспечения устойчивости шкафа. Сначала установите оборудование, которое следует разместить в нижней части шкафа. Устанавливайте оборудование начиная с низа шкафа по направлению вверх — и ни в коем случае не наоборот. При использовании направляющих для установки оборудования соблюдайте осторожность при их выдвигении. Не выдвигайте более одной группы направляющих одновременно. Старайтесь не выдвигать направляющие для установки оборудования, расположенные в верхней части шкафа.

**Примечание.** Квадратные отверстия в середине каждого шкафа пронумерованы и имеют небольшую надсечку для удобства распознавания. В каждом отдельном шкафу имеется место, где располагается нумерованное отверстие и отверстия, находящиеся непосредственно над и под ним.



### 6.1 Установка/снятие закладных гаек

**ВНИМАНИЕ!** Отгибы кромок закладных гаек должны зацепляться за боковые, а не верхний и нижний края квадратного отверстия в направляющей. Для обеспечения правильности установки оборудования следуйте указаниям, изложенным в сопроводительной документации к нему.

- 1 Найдите нумерованные квадратные отверстия в монтажных направляющих, которые планируется использовать для установки оборудования. Вставьте закладные гайки (из комплекта) в квадратные отверстия с целью обеспечения точки крепления для монтажных винтов (поставляемых в комплекте).

**Примечание.** Для определения необходимого количества закладных гаек и мест их установки ознакомьтесь с сопроводительной документацией к своему оборудованию.

- 2 Проденьте один из отгибов кромки закладной гайки через квадратное отверстие с внутренней стороны монтажной направляющей. Вдавите ее по направлению к боковому краю квадратного отверстия. Отгибы кромок закладных гаек должны зацепляться за боковые, а не верхний и нижний края квадратного отверстия.

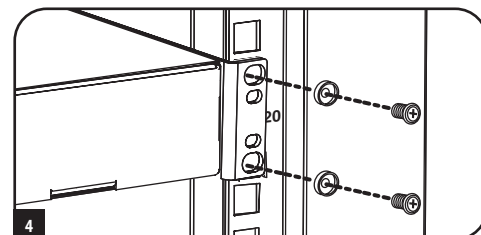
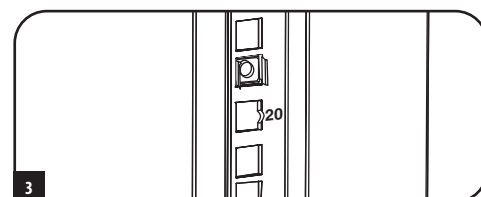
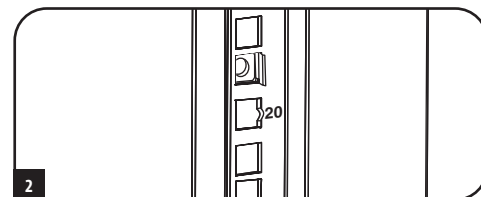
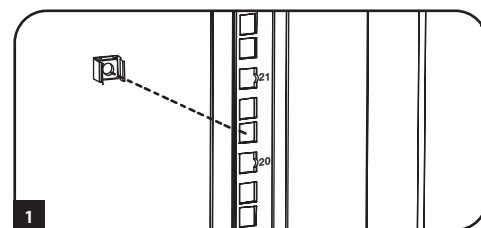
- 3 Слегка надавите на закладную гайку по бокам, что позволит другому отгибу кромки пройти через квадратное отверстие. При правильной установке закладной гайки оба отгиба ее кромок выдаются с обратной стороны квадратного отверстия и видны на внешней поверхности монтажной направляющей. Повторяйте шаги 1-3 до тех пор, пока не будут установлены все необходимые закладные гайки.

- 4 После установки необходимых закладных гаек прикрепите свое оборудование к стоечной направляющей с помощью монтажных винтов и чашеобразных шайб из комплекта. Поместите чашеобразные шайбы между винтами и монтажными кронштейнами для крепления оборудования.

**Примечание.** В комплект поставки оборудования могут также входить монтажные приспособления. Перед установкой своего оборудования ознакомьтесь с указаниями по монтажу, поставляемыми в комплекте с ним.

**Для извлечения закладных гаек повторите шаги 1-3 в обратном порядке**

**Примечание.** При желании установку и извлечение закладных гаек можно производить с помощью специального инструмента (в комплект поставки не входит).



## 7. Технические характеристики

Модель	SR24UB
Размеры (В x Ш x Г)	1169 x 600 x 850 мм
Масса изделия	56 кг
Допустимая нагрузка	453 кг (с закрепленным или выдвигаемым оборудованием)
Глубина монтажа (регулируемая)	От 76 до 826 мм

## 8. Хранение и техническое обслуживание

### Хранение

Корпус должен храниться в помещении с контролируемым микроклиматом вдали от источников влаги, экстремальных температур, воспламеняющихся жидкостей и газов, электропроводных загрязнителей, пыли и прямого солнечного света. По возможности храните шкаф в его заводской транспортной упаковке.

### Обслуживание

На приобретенное вами изделие марки Tripp Lite распространяется действие гарантии, условия которой изложены в настоящем руководстве. Кроме того, компания Tripp Lite предлагает ряд Программ расширенной гарантии и обслуживания на объекте. Более подробная информация о техническом обслуживании изложена на странице [tripplite.com/support](http://tripplite.com/support). Перед возвратом своего изделия в целях технического обслуживания просьба выполнить следующие действия:

1. Внимательно изучите порядок монтажа и эксплуатации устройства, приведенный в настоящем руководстве, во избежание проблем, которые могут возникнуть в ходе работы из-за неправильного понимания приведенных в руководстве указаний.
2. Если проблему решить не удалось, не обращайтесь к продавцу и не возвращайте изделие ему. В этом случае посетите интернет-страницу по адресу: [tripplite.com/support](http://tripplite.com/support).
3. Если возникшая проблема требует проведения ремонта или технического обслуживания, зайдите на страницу [tripplite.com/support](http://tripplite.com/support) и нажмите на ссылку Product Returns (Возврат изделий). Здесь вы можете запросить номер Returned Material Authorization (RMA) (разрешение на возврат материалов), который необходим для проведения технического обслуживания. Для заполнения этой простой онлайн-формы потребуются указать номер модели и серийный номер вашего изделия, а также общие сведения о покупателе. Номер RMA вместе с указаниями по транспортировке будет направлен вам по электронной почте. На какие бы то ни было убытки (прямые, косвенные, последующие или вызванные особыми обстоятельствами), связанные с транспортировкой изделия в адрес компании Tripp Lite или ее уполномоченного сервисного центра, действие гарантии не распространяется. Стоимость транспортировки изделий в адрес компании Tripp Lite или ее уполномоченного сервисного центра должна быть оплачена авансом. Номер RMA должен быть указан на внешней стороне упаковки. Если возврат изделия производится в период действия гарантии, то необходимо приложить копию товарного чека продавца. Возврат изделия для проведения ремонта или технического обслуживания должен производиться застрахованным перевозчиком по адресу, указанному в ответе на запрос номера RMA.

## 9. Гарантийные обязательства

### Ограниченная гарантия сроком 5 лет

Продавец гарантирует отсутствие изначальных дефектов материала или изготовления в течение 5 лет с момента первоначальной покупки данного изделия при условии его использования в соответствии со всеми применимыми к нему указаниями. В случае проявления каких-либо дефектов материала или изготовления в течение указанного периода Продавец осуществляет ремонт или замену данного изделия исключительно по своему усмотрению.

ДЕЙСТВИЕ НАСТОЯЩЕЙ ГАРАНТИИ НЕ РАСПРОСТРАНЯЕТСЯ НА СЛУЧАИ ЕСТЕСТВЕННОГО ИЗНОСА ИЛИ ПОВРЕЖДЕНИЯ В РЕЗУЛЬТАТЕ АВАРИИ, НЕНАДЛЕЖАЩЕГО ИСПОЛЬЗОВАНИЯ, НАРУШЕНИЯ ПРАВИЛ ЭКСПЛУАТАЦИИ ИЛИ ХАЛАТНОСТИ. ПРОДАВЕЦ НЕ ПРЕДОСТАВЛЯЕТ НИКАКИХ ЯВНО ВЫРАЖЕННЫХ ГАРАНТИЙ ЗА ИСКЛЮЧЕНИЕМ ПРЯМО ИЗЛОЖЕННОЙ В НАСТОЯЩЕМ ДОКУМЕНТЕ. ЗА ИСКЛЮЧЕНИЕМ СЛУЧАЕВ, ЗАПРЕЩЕННЫХ ДЕЙСТВУЮЩИМ ЗАКОНОДАТЕЛЬСТВОМ, ВСЕ ПОДРАЗУМЕВАЕМЫЕ ГАРАНТИИ, ВКЛЮЧАЯ ВСЕ ГАРАНТИИ ПРИГОДНОСТИ ДЛЯ ПРОДАЖИ ИЛИ ИСПОЛЬЗОВАНИЯ ПО НАЗНАЧЕНИЮ, ОГРАНИЧЕНЫ ПО ПРОДОЛЖИТЕЛЬНОСТИ ДЕЙСТВИЯ ВЫШЕУКАЗАННЫМ ГАРАНТИЙНЫМ СРОКОМ; КРОМЕ ТОГО, ИЗ НАСТОЯЩЕЙ ГАРАНТИИ ЯВНЫМ ОБРАЗОМ ИСКЛЮЧАЮТСЯ ВСЕ ПОБОЧНЫЕ, СЛУЧАЙНЫЕ И КОСВЕННЫЕ УБЫТКИ. (В некоторых штатах не допускается введение ограничений на продолжительность действия тех или иных подразумеваемых гарантий, а в некоторых - исключение или ограничение размера побочных или косвенных убытков. В этих случаях вышеизложенные ограничения или исключения могут на вас не распространяться. Настоящая гарантия предоставляет вам конкретные юридические права, а набор других ваших прав может быть различным в зависимости от юрисдикции).

**ВНИМАНИЕ!** До начала использования данного устройства пользователь должен убедиться в том, что оно является пригодным, соответствующим или безопасным для предполагаемого применения. В связи с большим разнообразием конкретных применений производитель не дает каких-либо заверений или гарантий относительно пригодности данных изделий для какого-либо конкретного применения или их соответствия каким-либо конкретным требованиям.

Компания Tripp Lite постоянно совершенствует свою продукцию. В связи с этим возможно изменение технических характеристик без предварительного уведомления. Внешний вид реальных изделий может несколько отличаться от представленного на фотографиях и иллюстрациях.



1111 W. 35th Street, Chicago, IL 60609 USA • [tripplite.com/support](http://tripplite.com/support)