

Quick Start Guide

M.2 to U.2 Adapter for M.2 PCIe NVMe SSD, SFF-8639

Model: P970-U2M2

Este manual está disponible en español en la página de Tripp Lite:
triplite.com

Ce manuel est disponible en français sur le site Web de Tripp Lite :
triplite.com

Русскоязычная версия настоящего руководства представлена на
веб-сайте компании Tripp Lite по адресу: triplite.com

Dieses Handbuch ist in deutscher Sprache auf der Tripp Lite-Website
verfügbar: triplite.com

WARRANTY REGISTRATION

Register your product today and be
automatically entered to win an ISOBAR®
surge protector in our monthly drawing!

triplite.com/warranty



1111 W. 35th Street, Chicago, IL 60609 USA • triplite.com/support

Copyright © 2022 Tripp Lite. All rights reserved.

Features

- Enhance your PC's speed and increase internal storage by adding an M.2 NVMe SSD via an available U.2 (SFF-8639) compatible interface on your motherboard
- Supports B+M Key SATA M.2 SSD and M-Key NVMe M.2 SSD
- Compatible with 2242, 2260 and 2280 SSD sizes
- Compatible with Tripp Lite's PCE-U2-PX4 (sold separately) U.2 to PCIe adapter to assemble an NVMe M.2 SSD into a motherboard's PCIe port
- PCIe M.2 SSD speeds provide ultra-fast data access to your computer
- Compatible with PCIe 3.0 motherboards; backward compatible with PCIe 2.0 and PCIe 1.0
- Compatible with Windows 7 and above and macOS High Sierra and above
- No external power required

Package Contents

- P970-U2M2 M.2 to U.2 PCIe NVMe SSD Adapter
- SSD Mounting Hardware
- Quick Start Guide

System Requirements

- Computer with an available U.2 port on its motherboard (or M.2 to U.2 adapter, such as Tripp Lite's PCE-U2-PX4, sold separately. See triplite.com for details.)
- B-Key or B+M Key SATA M.2 SSD or M-Key NVMe M.2 SSD
- Computer running Windows 7 or above, or macOS High Sierra and above

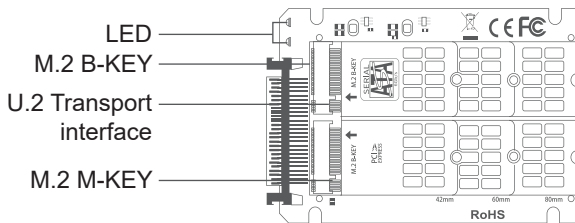
Optional Hardware

- PCE-U2-PX4 U.2 to PCIe Adapter (Sold Separately)

Installation

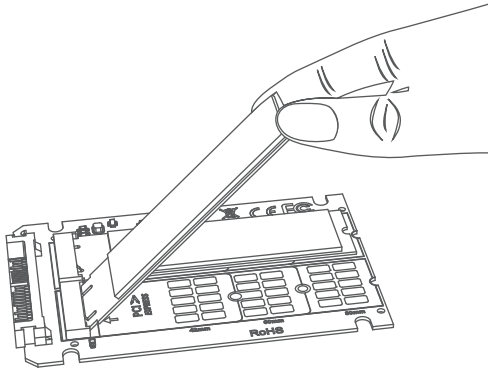
Notes:

- The following installation diagrams and instructions refer to the P970-U2M2 being used with Tripp Lite's PCE-U2-PX4 U.2 to PCIe Adapter (sold separately) to establish an M.2 module in a computer's PCIe port. The P970-U2M2 can be used directly with a motherboard that features an available U.2 port or other M.2-to-U.2 docks.
- PCI Express cards are static-sensitive devices that require proper handling. An anti-static ESD wrist strap (such as Tripp Lite's P999-000, sold separately) or similar device should always be used when handling.
- Handle the card with care when installing. Hold it by the edges and not the interface connectors.
- When disconnecting the drive, go through the proper disconnection steps of your operating system to safely remove it. Removing the drive prior to proper disconnection can result in losing or corrupting data stored on the drive.
- If your drive has not been formatted, you will first need to format it using your computer's disk management utility to copy and access files.



Installation

1. Connect an M-Key M.2 and/or B-Key M.2 SSD, or B+M Key SSD, to the appropriate slots on the P970-U2M2.

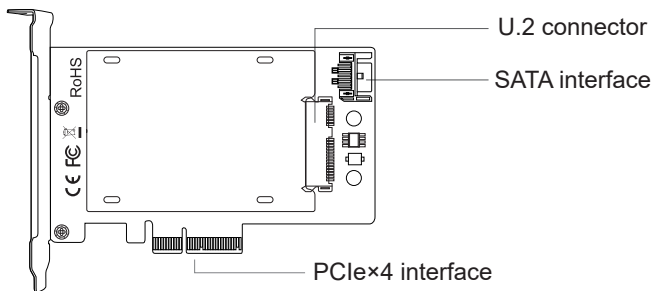


2. Secure the SSD into place using the included SSD mounting hardware.

Installation

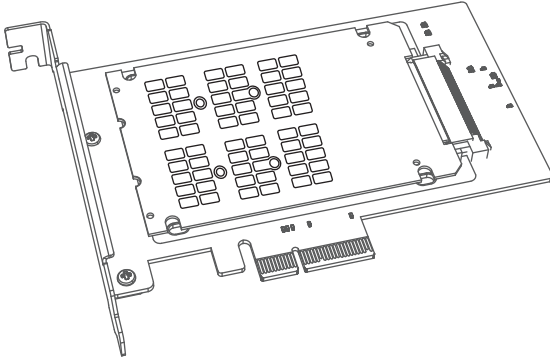
3. Connect the U.2 connector of the P970-U2M2 into the U.2 input slot of the PCE-U2-PX4 (sold separately). Be sure to follow the instructions in the notes above to ensure the equipment is not damaged by static discharge or improper handling.

Note: The P970-U2M2 inserts into the U.2 slot of the PCE-U2-PX4 with the M.2 SSD(s) facing downward.



Installation

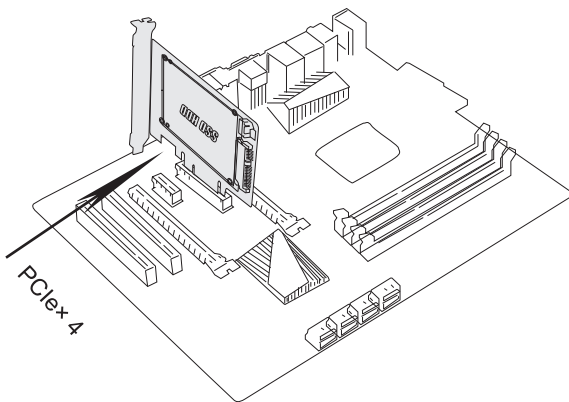
4. Secure the P970-U2M2 into place with the PCE-U2-PX4 using the mounting hardware that is included with the PCE-U2-PX4 (sold separately)



5. Power down the desired computer and unplug its power cord. Then, disconnect all peripheral devices (monitor, keyboard, mouse, etc.).
6. Remove the cover from your PC to locate the motherboard and available PCI Express ports.

Installation

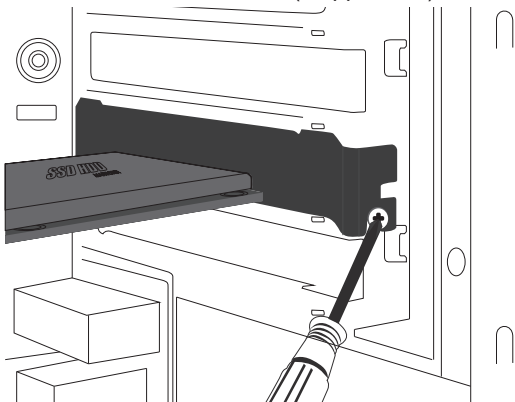
7. Insert the PCIe x4 interface of the PCE-U2-PX4 into the open PCI Express port of the computer's motherboard.



8. Connect the 7-pin SATA cable included with the PCE-U2-PX4 between the SATA interface port on the PCE-U2-PX4 and the 7-pin SATA port on the computer's motherboard.

Installation

9. Fix the full-profile bracket of the PCE-U2-PX4 into place in the computer's tower panel using the bracket screws included with the PCE-U2-PX4 (if applicable).



10. Place the cover back onto the computer and reconnect its power cord and peripheral devices.
11. Your adapter is now ready for use.

Operation

1. After turning your computer back on, locate the “Computer Management” system tool and go to the “Disk Management” dropdown menu to find the new disk.
2. Before formatting the new disk, make sure to delete the volume.
3. Right-click the External Disk icon you want to format. Click on “New Simple Volume”.
4. Follow the instructions on the screen, choose the partition size and click “Next” to finish.
5. The new hard disk volume will be found in the list of drive locations on your computer.
6. Once found, it is ready for use.

Specifications

Drive Connection	U.2 SFF-8639 to M.2 NVMe/SATA
PCIe Card Connection	PCIe X4
Supported SSD	B-Key, B+M Key or M-Key (NVMe) M.2
Supported Drive Sizes	M.2 2242, 2260 or 2280
Operating Temperature Range	50°F to 158°F (10°C to 70°C)
Storage Temperature Range	32°F to 149°F (0°C to 65°C)
Relative Humidity	10 to 80% RH, Non-Condensing
Unit Dimensions [L x W x H]	3.9 x 2.6 x 0.22 in. (99 x 66 x 5.5 mm)
Certifications	FCC, CE
Supported Operating Systems	Windows (7, 8.1, 10, 11), Mac (macOS High Sierra and above; older macOS versions do not support NVMe)

Warranty and Product Registration

1-YEAR LIMITED WARRANTY

Tripp Lite warrants its products to be free from defects in materials and workmanship for a period of one (1) year from the date of initial purchase. Tripp Lite's obligation under this warranty is limited to repairing or replacing (at its sole option) any such defective products. To obtain service under this warranty, you must obtain a Returned Material Authorization (RMA) number from Tripp Lite or an authorized Tripp Lite service center. Products must be returned to Tripp Lite or an authorized Tripp Lite service center with transportation charges prepaid and must be accompanied by a brief description of the problem encountered and proof of date and place of purchase. This warranty does not apply to equipment, which has been damaged by accident, negligence or misapplication or has been altered or modified in any way.

EXCEPT AS PROVIDED HEREIN, TRIPP LITE MAKES NO WARRANTIES, EXPRESS OR IMPLIED, INCLUDING WARRANTIES OF MERCHANTABILITY AND FITNESS FOR A PARTICULAR PURPOSE.

Some states do not permit limitation or exclusion of implied warranties; therefore, the aforesaid limitation(s) or exclusion(s) may not apply to the purchaser.

EXCEPT AS PROVIDED ABOVE, IN NO EVENT WILL TRIPP LITE BE LIABLE FOR DIRECT, INDIRECT, SPECIAL, INCIDENTAL OR CONSEQUENTIAL DAMAGES ARISING OUT OF THE USE OF THIS PRODUCT, EVEN IF ADVISED OF THE POSSIBILITY OF SUCH DAMAGE. Specifically, Tripp Lite is not liable for any costs, such as lost profits or revenue, loss of equipment, loss of use of equipment, loss of software, loss of data, costs of substitutes, claims by third parties, or otherwise.

PRODUCT REGISTRATION

Visit triplite.com/warranty today to register your new Tripp Lite product. You'll be automatically entered into a drawing for a chance to win a FREE Tripp Lite product!*

* No purchase necessary. Void where prohibited. Some restrictions apply. See website for details.

Use of this equipment in life support applications where failure of this equipment can reasonably be expected to cause the failure of the life support equipment or to significantly affect its safety or effectiveness is not recommended.

Tripp Lite has a policy of continuous improvement. Specifications are subject to change without notice. Photos and illustrations may differ slightly from actual products.



1111 W. 35th Street, Chicago, IL 60609 USA • triplite.com/support