

Owner's Manual

USB Charging Station

16-Port Models: CSC16USB

Table of Contents

1. Important Safety Instructions	2	6. Wall Mounting	6
2. Overview	2	7. Desktop/Floor Placement	6
3. Feature Identification	3	8. Specifications	7
4. Setup	4	9. Storage, Service and Cleaning	7
4.1 Adjusting Storage Shelf Dividers	4	10. Optional Casters and Handle	7
4.2 Powering the USB Charger/Hub Unit	4	11. Warranty and Product Registration	8
4.3 Door Locks	4	Español	9
5. 16-Port USB Charger/Hub	5	Français	17
5.1 USB Charger/Hub Features	5		
5.2 Connecting Devices to the USB Charger/Hub	5		
5.3 Connecting a Computer to the USB Charger/Hub	6		

WARRANTY REGISTRATION

Register your product today and be automatically entered to win an ISOBAR® surge protector in our monthly drawing!

tripplite.com/warranty



1111 W. 35th Street, Chicago, IL 60609 USA • tripplite.com/support

Copyright © 2021 Tripp Lite. All trademarks are the sole property of their respective owners.

1. Important Safety Instructions



SAVE THESE INSTRUCTIONS

This manual contains instructions and warnings that must be followed during the installation and operation of the product described in this manual. Failure to comply may invalidate the warranty and cause property damage or personal injury.

USB Charger/Hub Unit:

- To remove the USB Charger/Hub unit from the supply mains, the power cord serves as a disconnect device.
- If any of the following situations arise, schedule an appointment with a service technician to have your equipment inspected:
 - The equipment has been exposed to moisture
 - The equipment has been dropped and damaged
 - The equipment shows obvious signs of breakage
 - The equipment is not functioning properly or is not functioning according to the instructions described in this Owner's Manual
- Use of this equipment in life support applications where failure of this equipment can reasonably be expected to cause the failure of the life support equipment or to significantly affect its safety or effectiveness is not recommended.

Charging Station Cabinet:

- Keep the charging station in a controlled indoor environment away from moisture, temperature extremes, flammable liquids and gasses, conductive contaminants, dust and direct sunlight.
- Leave adequate space around the charging station for proper ventilation. Do not block, cover or insert objects into the charging station's external ventilation openings.
- The charging station is extremely heavy. Use caution when handling the charging station. Do not attempt to unpack or mount it unassisted. Use a mechanical device such as a forklift or pallet jack to move the charging station in the shipping container.
- Do not place containers of liquid or stack items on the cabinet.
- Inspect the shipping container and the charging station for shipping damage. Do not use the charging station if it is damaged.
- Use caution when cutting packing materials. The charging station could be scratched, causing damage not covered by the warranty.
- Save all packing materials for later use. Repacking and shipping the charging station cabinet or equipment without the original packing materials may cause product damage that will void the warranty.

For Wall-Mount and Desktop Installations:

- Before mounting, first make sure that the wall surface can safely support the combined load of the charging station, equipment stored and all attached hardware and components.
- Always use suitable mounting means when installing to cinder block, concrete, drywall or wood studs.
- For desktop installations, the mounting brackets that shipped with unit can also be used to secure the charging station to a desktop surface.

2. Overview

Your charging station is an all-in-one solution for storing, charging and syncing for up to 16 devices. Your charging station can be conveniently mounted to walls, as well as used for stationary desktop or floor placement installations. To prevent theft and device tampering, your charging station enclosure comes equipped with locking steel doors.

3. Feature Identification

CSC16USB

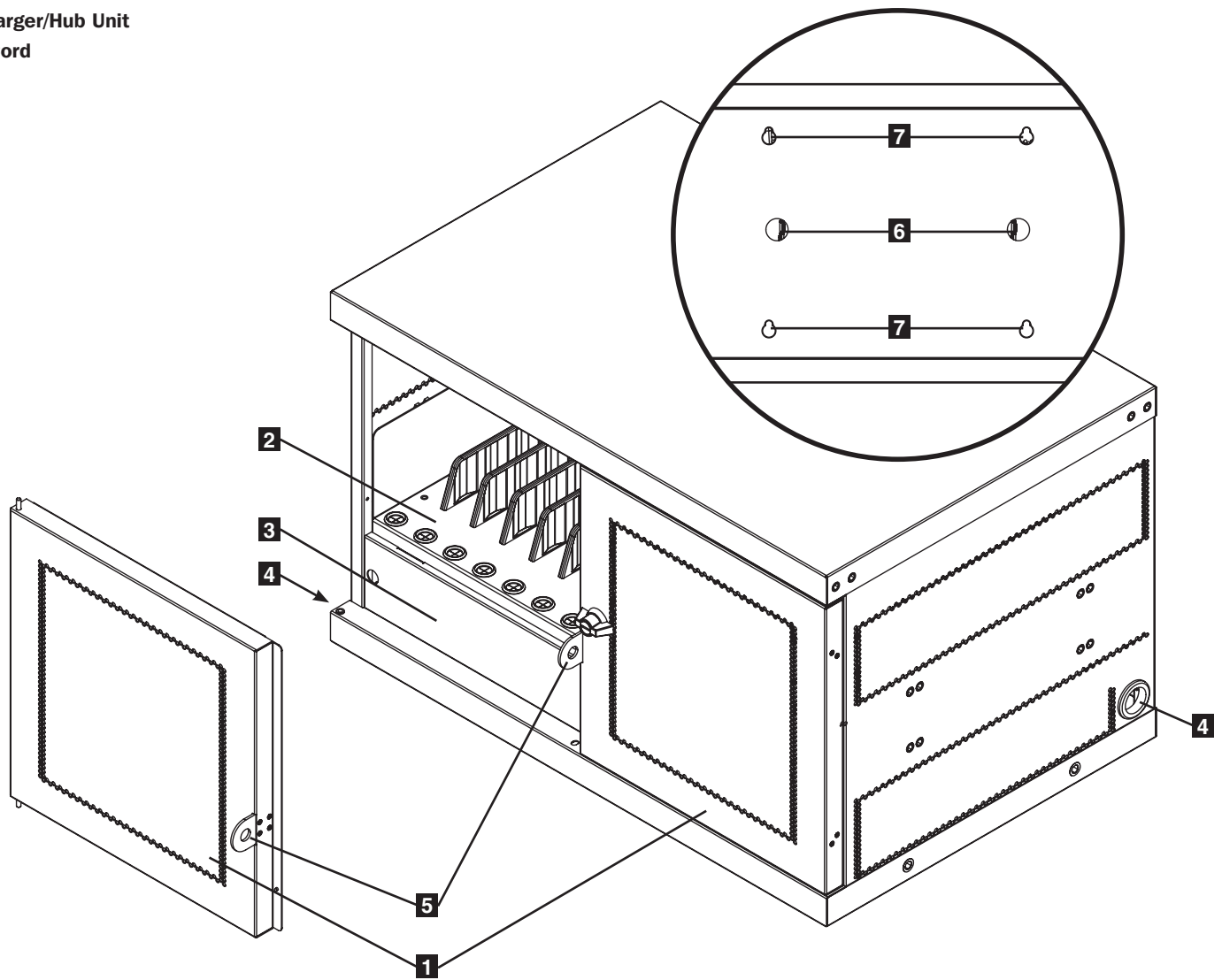
- 1** Locking Split Doors
- 2** Adjustable Storage Shelves (Holds up to 16 Devices)
- 3** Blanking Panel (Removable)
- 4** Power Cord Access Holes (1 Located on Each Side)
- 5** Padlock Hasp (User Supplies Lock)
- 6** Cable Lock Routing Holes (User Supplies Lock)
- 7** Rear Panel with Keyhole Wall Mount Slots (See Section 5 for More Information)

Not Shown:

USB Charger/Hub Unit

Power Cord

Keys



4. Setup



Caution! Read All Instructions and Warnings Before Installation!

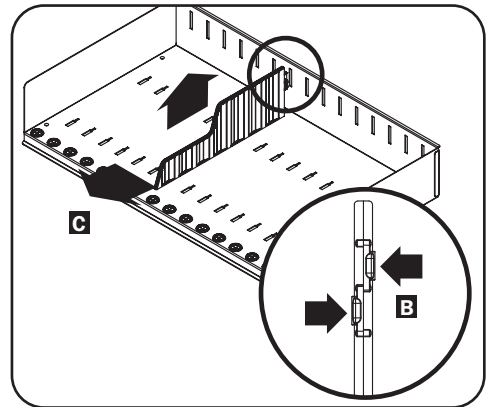
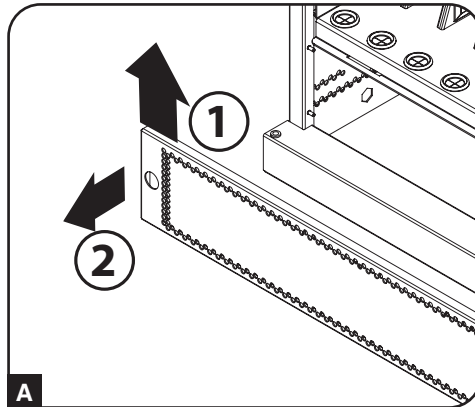


Warning: Charging stations can be extremely heavy. Do not attempt to unpack or mount the charging station without assistance. Use extreme caution when handling the charging station and be sure to follow all handling and installation instructions. Do not attempt to install equipment without first stabilizing the charging station.

4.1 Adjusting Storage Shelf Dividers

Your charging station comes with a storage shelf containing adjustable dividers that can accommodate up to 16 personal electronic devices.

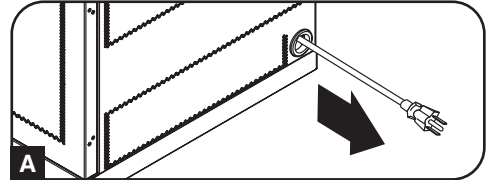
Remove any personal electronic devices stored on the shelf tray. Then remove the blanking panel by inserting your fingers into its left and right holes, and lifting the blanking panel up and pulling out **A**. To remove the shelf tray from the cabinet, push the shelf tray forward to disengage from the mounting hook, then pull the tray up and out. Once the shelf is removed, remove or rearrange the dividers by pushing in the two tabs securing the divider to the rear end **B**, then push the divider forward to disengage from the shelf tray **C**. Repeat as necessary for additional shelf dividers.



4.2 Powering the USB Charger/Hub Unit

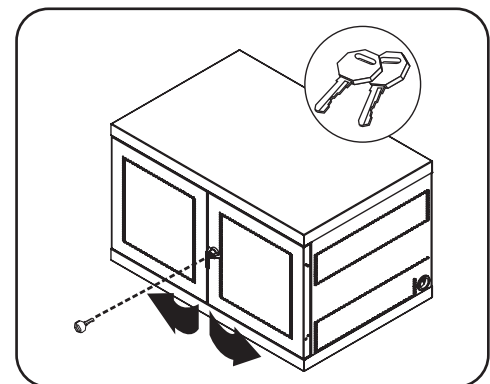
Once the blanking panel has been removed as shown in **Section 4.1**, find the USB Charger/Hub unit's input plug and cable located in the charging station's bottom compartment, then push the input plug through one of the power cord access holes located on either side of the charging station cabinet **A** (using the power cord access hole on the same side as the power cord manager is recommended). Plug the power cord into the nearest 3-prong, grounded wall outlet.

Note: The power cord can optionally be routed through the charging station's rear panel. To do so, first remove the rubber grommet from either **power cord access hole** and attach it to the **cable lock routing hole** on the back of the unit (see **3. Feature Identification** for routing locations).



4.3 Door Locks

The split doors contain a lock that is accessible with the included keys.



5. 16-Port USB Charger Hub

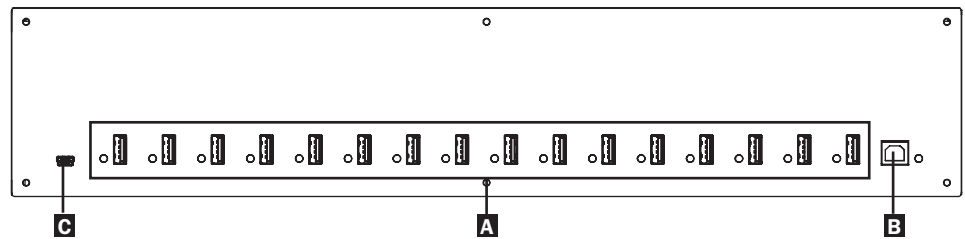
5.1 USB Charger/Hub Features

- Professional-grade USB charger/hub charges and syncs up to 16 USB devices, including the iPad®, iPod®, iPhone®, and Android™ tablets and smartphones.
- Provides each USB port with an optimum charge level for a particular device (up to 2.4 amps).
- Allows syncing to be performed with any device designed for USB data communications, per compatible file management software.
- Syncs Apple® devices via iTunes® software or Apple Configurator.
- Mini-USB Firmware Upgrade Port enables future software upgrades to support newer devices.
- 2U, rack-mountable housing can be configured for professional, educational or personal installations.
- IEC C14 inlet makes power connections easy, using the dedicated region power supply cords (included).

A 2.4A USB Device Ports with LED Indicator Lights (16 total)

B Computer Sync Port

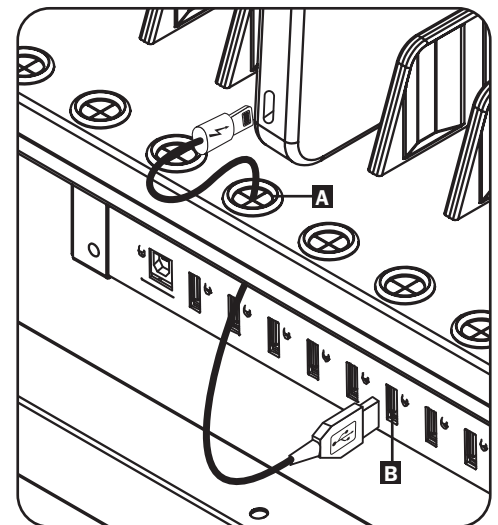
C Firmware Upgrade Port



5.2 Connecting Devices to the USB Charger/Hub

The charging station's storage shelf features 16 strain relief bushings that prevent the USB cable's device connectors from slipping through the bushing **A**. Using a user-supplied or device manufacturer's shielded USB cable, connect the USB cable to the device to be charged. Then pass the cable end through the strain relief bushing on the storage shelf and connect the USB connector into a USB charging port **B**. Repeat for all devices and reattach the blanking panel removed in **Section 4.1** to the unit.

Tripp Lite offers individual and 10-pack cables for Apple devices using USB to 30-Pin or USB to Lightning™ cables, as well as individual and 10-pack cables for USB 3.0 or 2.0 devices using USB A (male) to 5-Pin Micro B (male) cables.



Cable Type	Individual Cable Model Number	10-Pack Cable Model Number
Apple USB to 30-Pin Connector, 10 in.	M110-10N-BK	M110-10N-BK-10
Apple USB to 30-Pin Connector, 3 ft.	M110-003-WH	—
Apple USB to 8-Pin Lightning Connector, 10 in.	M100-10N-BK	M100-10N-BK-10
Apple USB to 8-Pin Lightning Connector, 3 ft.	M100-003-BK M100-003-WH	—
Apple USB to 8-Pin Lightning Connector, 6 ft.	M100-006-BK M100-006-WH	—
Apple USB to 8-Pin Lightning Connector, 10 ft.	M100-010-BK M100-010-WH	—
USB 3.0 SuperSpeed A (Male) to 5-Pin Micro-B (Male), 1 ft.	U326-001-BK	U326-001-BK-10
USB 3.0 SuperSpeed A (Male) to 5-Pin Micro-B (Male), 3 ft.	U326-003 U326-003-BK	—
USB 3.0 SuperSpeed A (Male) to 5-Pin Micro-B (Male), 10 ft.	U326-010	—
USB 2.0 Reversible A (Male) to 5-Pin Micro-B (Male), 1 ft.	UR050-001*	UR050-001-10*
USB 2.0 Reversible A (Male) to 5-Pin Micro-B (Male), 3 ft.	UR050-003* UR050-003-WH*	—
USB 2.0 Reversible A (Male) to 5-Pin Micro-B (Male), 6 ft.	UR050-006* UR050-006-SLIM*	—
USB 2.0 Reversible A (Male) to 5-Pin Micro-B (Male), 10 ft.	UR050-010*	—

* Features a reversible USB A (male) connector for simplified installations.

Visit triplite.com for more information on our selection of premium USB cables.

5. 16-Port USB Charger Hub

5.3 Connecting a Computer to the USB Charger/Hub

In addition to device charging, the USB Charger/Hub is equipped with a hub function that syncs devices and their respective software applications via a connected computer. To enable the hub function, use the included USB cable to connect the USB B connector into unit's Computer Sync Port and the USB A connector into a computer's USB port.

Note: When a computer connection is established and multiple devices are connected to the USB Charger/Hub, the charge rate will reduce during syncing and resume to the normal charge rate upon completion.

Note: The Firmware Upgrade Port requires a mini-USB connection (cable not included). To download the most recent firmware updates, go to tripplite.com/support.

6. Wall Mounting

For wall mounting, you will need:

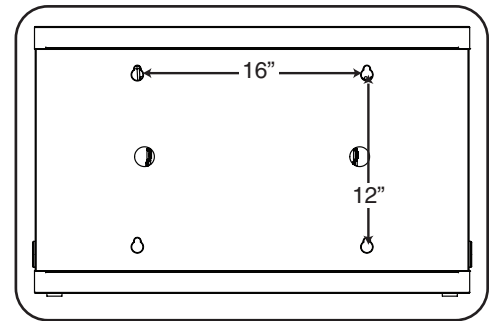
- Level
- Appropriate tools for wall mounting
- Appropriate hardware for wall mounting (not included)

Warning: Do not attempt to mount the charging station to the wall with any personal electronic devices inside.

There are 4 keyhole cutouts on the charging station cabinet's rear panel. Each keyhole can accommodate an M5 or 3/16" bolt. Each of the keyhole sets are centered 16" apart horizontally and 12" vertically (see the corresponding model diagram for exact keyhole locations).

Using a level and tape measure, measure to position your mounting areas precisely. Use appropriate fasteners (not included) to secure the charging station to the wall.

Note: The charging station must be installed by a qualified technician. Use suitable mounting means when installing to cinder block, concrete, drywall or wood studs. **Warning: The supporting surface must be able to safely support the combined load of the charging station, equipment stored and all attached hardware and components. See Section 8. Specifications for more information on your model's weight and dimensions.**



7. Desktop/Floor Placement

WARNING: For desktop and floor applications, always install the charging station in a structurally sound area with a level surface that is able to bear the weight of the charging station, all equipment that will be installed in the charging station and any other enclosures and/or equipment that will be installed nearby. Never attempt to lift or install the charging station without adequate help. See Section 8. **Specifications** for more information on the charging station's rated load capacity.

Note: The mounting brackets that shipped with unit can also be used to secure the charging station to a desktop surface.

8. Specifications

Model	CSC16USB
Dimensions (H x W x D)	24.3 x 34.8 x 20.2 in. / 617 x 884 x 513 mm
Unit Weight	130.7 lb. / 59 kg
Load Capacity*	200 lb. / 90 kg
Charger/Hub Ports	16 x USB 2.0 A (Female) 1 x USB 2.0 B (Female) 1 x USB 2.0 Mini (Female)
Transmission Speed	Up to 480 Mbps
Power Requirement	Input: 110-120V, 2.5A, 50/60 Hz Output: 5.0V, 2.4A Max (per USB port)
Operating Temperature	32° to 104° F / 0° to 40° C
Operating Humidity	5 to 95% RH, Non-Condensing
Enclosure Material	Metal

*Full wall-mount load capacity requires a mounting surface capable of bearing the full load of the charging station and all connected components. Specifications may be subject to change without further notice.

9. Storage, Service and Cleaning

Storage

The enclosure should be stored in a controlled indoor environment away from moisture, temperature extremes, flammable liquids and gasses, conductive contaminants, dust and direct sunlight. Store the enclosure in its original shipping container if possible.

Service

The enclosure is covered by the limited warranty described in this manual. For more information, visit tripplite.com/support.

Cleaning

Before cleaning, always power off the charging station by unplugging it from its AC source. Dampen a clean, lint-free cloth with water and wipe down the unit, as necessary. Allow the surface area to dry before plugging in the unit.

Note: Avoid using abrasive cloths, solvents or aerosol sprays to clean the charging station; doing so can damage the unit.

10. Optional Casters and Handle

For applications requiring extra mobility, an optional caster and handle accessory kit (**Model: CSHANDLEKIT2**) contains two swivel/locking casters, two swivel-only casters and a handle that attaches to the top of the charging station unit. Visit tripplite.com for more information.

11. Warranty and Product Registration

2-Year Limited Warranty

Seller warrants this product, if used in accordance with all applicable instructions, to be free from original defects in material and workmanship for a period of 2 years from the date of initial purchase. If the product should prove defective in material or workmanship within that period, Seller will repair or replace the product, at its sole discretion.

THIS WARRANTY DOES NOT APPLY TO NORMAL WEAR OR TO DAMAGE RESULTING FROM ACCIDENT, MISUSE, ABUSE OR NEGLIGENCE. SELLER MAKES NO EXPRESS WARRANTIES OTHER THAN THE WARRANTY EXPRESSLY SET FORTH HEREIN. EXCEPT TO THE EXTENT PROHIBITED BY APPLICABLE LAW, ALL IMPLIED WARRANTIES, INCLUDING ALL WARRANTIES OF MERCHANTABILITY OR FITNESS, ARE LIMITED IN DURATION TO THE WARRANTY PERIOD SET FORTH ABOVE; AND THIS WARRANTY EXPRESSLY EXCLUDES ALL INCIDENTAL AND CONSEQUENTIAL DAMAGES. (Some states do not allow limitations on how long an implied warranty lasts, and some states do not allow the exclusion or limitation of incidental or consequential damages, so the above limitations or exclusions may not apply to you. This warranty gives you specific legal rights, and you may have other rights which vary from jurisdiction to jurisdiction.)

WARNING: The individual user should take care to determine prior to use whether this device is suitable, adequate or safe for the use intended. Since individual applications are subject to great variation, the manufacturer makes no representation or warranty as to the suitability or fitness of these devices for any specific application.

Product Registration

Visit tripplite.com/warranty today to register your new Tripp Lite product. You'll be automatically entered into a drawing for a chance to win a FREE Tripp Lite product!*

* No purchase necessary. Void where prohibited. Some restrictions apply. See website for details.

Regulatory Compliance Identification Numbers

For the purpose of regulatory compliance certifications and identification, your Tripp Lite product has been assigned a unique series number. The series number can be found on the product nameplate label, along with all required approval markings and information. When requesting compliance information for this product, always refer to the series number. The series number should not be confused with the marketing name or model number of the product.

FCC Notice, Class B

This device complies with part 15 of the FCC Rules. Operation is subject to the following two conditions: (1) This device may not cause harmful interference, and (2) this device must accept any interference received, including interference that may cause undesired operation.

Note: This equipment has been tested and found to comply with the limits for a Class B digital device, pursuant to part 15 of the FCC Rules. These limits are designed to provide reasonable protection against harmful interference in a residential installation. This equipment generates, uses and can radiate radio frequency energy and, if not installed and used in accordance with the instructions, may cause harmful interference to radio communications. However, there is no guarantee that interference will not occur in a particular installation. If this equipment does cause harmful interference to radio or television reception, which can be determined by turning the equipment off and on, the user is encouraged to try to correct the interference by one or more of the following measures:

- Reorient or relocate the receiving antenna.
- Increase the separation between the equipment and receiver.
- Connect the equipment into an outlet on a circuit different from that to which the receiver is connected.
- Consult the dealer or an experienced radio/TV technician for help.

Any changes or modifications to this equipment not expressly approved by Tripp Lite could void the user's authority to operate this equipment.

WEEE Compliance Information for Tripp Lite Customers and Recyclers (European Union)



Under the Waste Electrical and Electronic Equipment (WEEE) Directive and implementing regulations, when customers buy new electrical and electronic equipment from Tripp Lite they are entitled to:

- Send old equipment for recycling on a one-for-one, like-for-like basis (this varies depending on the country)
- Send the new equipment back for recycling when this ultimately becomes waste

Tripp Lite has a policy of continuous improvement. Specifications are subject to change without notice. Photos and illustrations may differ slightly from actual products.



Manual del Propietario

Estación de Carga de USB

Modelos con 16 Puertos: CSC16USB

Índice

1. Instrucciones Importantes de Seguridad	10	6. Instalación en Pared	14
2. Descripción General	10	7. Para colocación en Escritorio/Piso	14
3. Identificación de Partes y Características	11	8. Especificaciones	15
4. Instalación	12	9. Almacenamiento, Servicio y Limpieza	15
4.1 Ajuste de los Divisores de Almacenamiento	12	10. Ruedas y Manija Opcionales	15
4.2 Alimentación de la Unidad de Cargador/Hub USB	12	11. Garantía	16
4.3 Cerraduras de la Puerta	12	English	1
5. Cargador/Hub USB de 16 Puertos	13	Français	17
5.1 Características del Cargador/Hub USB	13		
5.2 Conexión de Dispositivos al Cargador/Hub USB	13		
5.3 Conexión de una Computadora al Cargador/Hub USB	14		



1111 W. 35th Street, Chicago, IL 60609 EE. UU. • tripplite.com/support

Copyright © 2021 Tripp Lite. Todas las marcas registradas son propiedad de sus respectivos propietarios.

1. Instrucciones de Seguridad Importantes



CONSERVE ESTAS INSTRUCCIONES

Este manual contiene instrucciones y advertencias que deben observarse durante la instalación y la operación del producto aquí descrito. El no hacerlo puede invalidar la garantía y causar daños materiales o lesiones personales.

Unidad de Cargador/Hub USB:

- Para remover el Cargador/Hub USB de la alimentación del servicio público, el cable de alimentación funciona como dispositivo de desconexión.
- Si surge cualquiera de las siguientes situaciones, programe una cita para que un técnico de servicio inspeccione su equipo:
 - El equipo ha estado expuesto a humedad
 - El equipo se ha caído o dañado
 - El equipo muestra signos evidentes de roturas
 - El equipo no funciona correctamente o no funciona de acuerdo a las instrucciones descritas en el presente Manual del Propietario
- No se recomienda utilizar este equipo en aplicaciones de soporte de vida donde una falla podría llegar a causar la falla del equipo de soporte de vida o afectar significativamente su seguridad o efectividad.

Gabinete de la Estación de Carga:

- Mantenga la estación de carga en un ambiente interior controlado, alejada de humedad, temperaturas extremas, líquidos y gases inflamables, contaminantes conductivos, polvo y luz solar directa.
- Deje un espacio adecuado alrededor de la estación de carga para que reciba una ventilación apropiada. No bloquee, cubra ni coloque objetos en las aberturas externas de ventilación de la estación de carga.
- La estación de carga es extremadamente pesada. Tenga cuidado al manipularla. No intente desempacarla ni instalarla sin ayuda. Utilice un dispositivo mecánico, como un montacargas o un gato hidráulico para tarimas, para mover la estación de carga en el contenedor de transporte.
- No coloque recipientes con líquidos ni apile artículos sobre el gabinete.
- Inspeccione el contenedor de transporte y la estación de carga para detectar daños producidos durante el envío. No utilice la estación si está dañada.
- Tenga cuidado cuando corte el material de empaque. La estación de carga podría sufrir rayaduras, y estos daños no están cubiertos por la garantía.
- Guarde todo el material de empaque para uso posterior. Volver a empacar y enviar el equipo o el gabinete de la estación de carga sin el material de empaque original puede ocasionar daños al producto que anularían la garantía.

Para Instalaciones en Pared y Escritorio:

- Antes de realizar la instalación, asegúrese de que la superficie de la pared pueda soportar con seguridad el peso combinado de la estación de carga, el equipo almacenado y todos los accesorios y los componentes conectados.
- Siempre utilice los medios de instalación adecuados para realizar la instalación en un bloque de hormigón, concreto, tabla roca o travesaños de madera.
- Para las instalaciones de escritorio, los soportes de montaje que se entregan con la unidad también se pueden utilizar para fijar la estación de carga a una superficie de escritorio.

2. Descripción General

La estación de carga es una solución integral para almacenamiento y carga de hasta 16 dispositivos. La estación de carga también puede instalarse en paredes de manera conveniente, así como configurarse sobre el escritorio o sobre el piso. Para evitar el robo y sabotaje del dispositivo, el gabinete de la estación de carga está equipado con puertas de acero con cerradura.

3. Identificación de Partes y Características

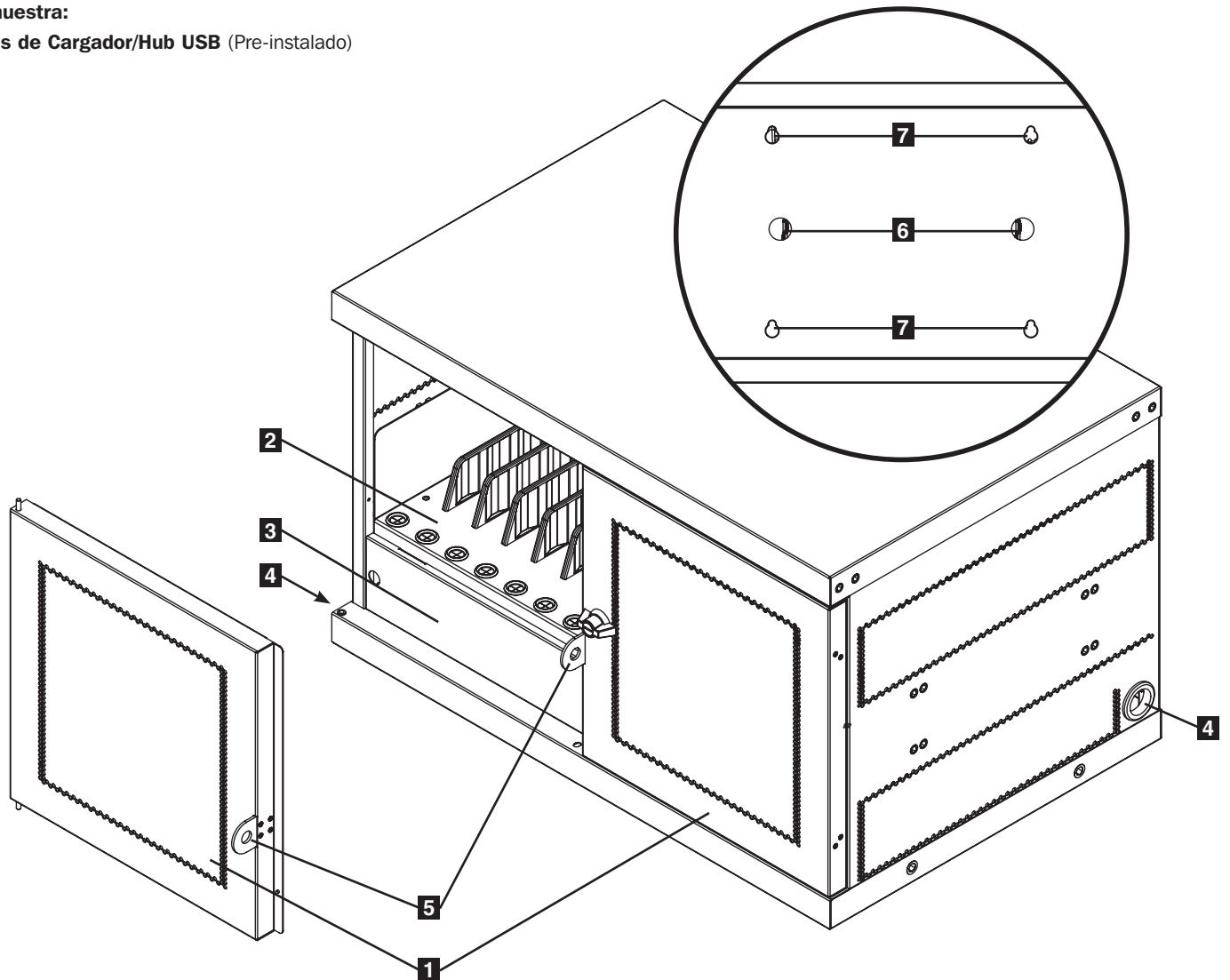
CSC16USB

- 1** Puertas divididas con cerradura
- 2** Estante de almacenamiento ajustables (con capacidad para almacenar hasta 16 dispositivos)
- 3** Panel obturador (removible)
- 4** Orificios de acceso del cable de alimentación (uno en cada lado)
- 5** Cerrojo para Candado (El Usuario Suministra el Candado)
- 6** Orificios para Pasar el Cable del Candado (El Usuario Suministra el Candado)
- 7** Panel lateral con ranuras con perforaciones para instalación en la pared (para obtener más información, consulte la **Sección 6**)

No se muestra:

Unidades de Cargador/Hub USB (Pre-instalado)

Llaves



4. Instalación



¡Precaución! ¡Lea todas las instrucciones y las advertencias antes de realizar la instalación!

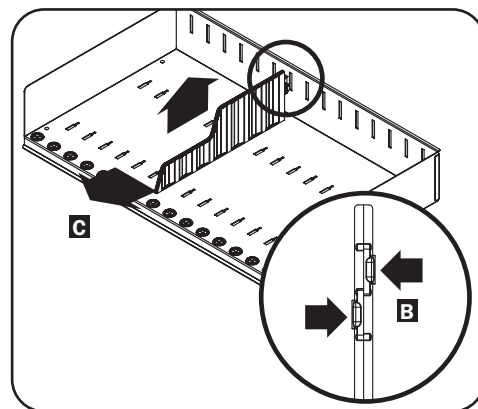
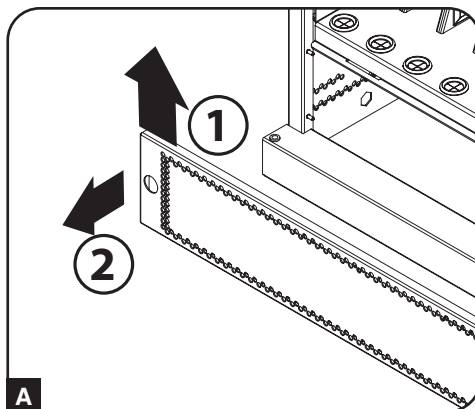


Advertencia: las estaciones de carga pueden ser muy pesadas. No intente desempacar ni instalar la estación de carga sin ayuda. Antes de proceder con la instalación, siga las instrucciones de desempaque incluidas en el documento que se envía junto con el producto. Tenga mucho cuidado al manipular la estación de carga y asegúrese de seguir todas las instrucciones de manejo e instalación. No intente instalar el equipo sin antes estabilizar la estación de carga.

4.1 Ajuste de los Divisores del Estante de Almacenamiento

La estación de carga viene con un estante de almacenamiento con divisores ajustables, donde se pueden ubicar hasta 16 dispositivos electrónicos personales.

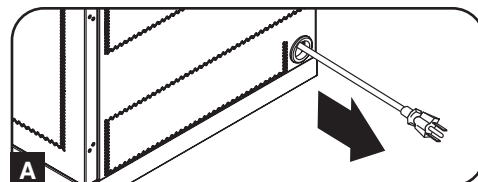
Retire cualquier dispositivo electrónico que esté almacenado sobre el entrepaño. Entonces retire el panel obturador insertando los dedos en los orificios izquierdo y derecho, y levante el panel obturador y jale para extraerlo **A**. Para retirar el estante de la repisa del gabinete, oprímalo hacia adelante para desacoplarlo del gancho de instalación, después jale el estante hacia arriba y hacia afuera. Una vez que retire el estante, quite o vuelva a acomodar los divisores presionando las dos pestañas que ajustan el divisor al extremo posterior **B**, y luego empuje el divisor hacia adelante para desacoplarlo del entrepaño **C**. Repítalo si es necesario para los divisores adicionales.



4.2 Alimentación de la Unidad de Cargador/Hub USB

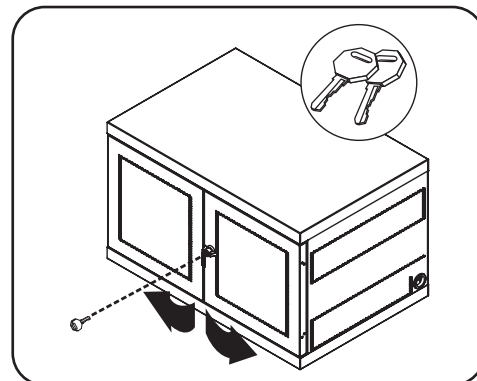
Una vez que se ha removido el panel obturador como se muestra en la **Sección 4.1**, busque el cable y la clavija de entrada de la Unidad de Cargador/Hub USB en el compartimiento inferior de la estación de carga, luego empuje la clavija a través de una de las perforaciones de acceso al cable ubicadas a ambos lados del gabinete de la estación de carga **A** (se recomienda utilizar la misma perforación lateral de acceso que el administrador del cable de alimentación). Conecte el cable de alimentación en la toma en la pared de tres clavijas, debidamente aterrizada, más cercana.

Nota: Opcionalmente el cable de alimentación puede ser conducido a través del panel posterior de la estación de carga. Para hacerlo, retire primero el ojal de hule de cualquiera de los **orificios de acceso del cable de alimentación** y colóquelo en el **orificio para conducción del cable de seguridad** en la parte posterior de la unidad (ver **3. Identificación de la característica** para ubicaciones de conducción).



4.3 Cerraduras de la Puerta

Las puertas divididas incluyen una cerradura que puede abrirse con las llaves incluidas.



5. Cargador/Hub USB de 16 Puertos

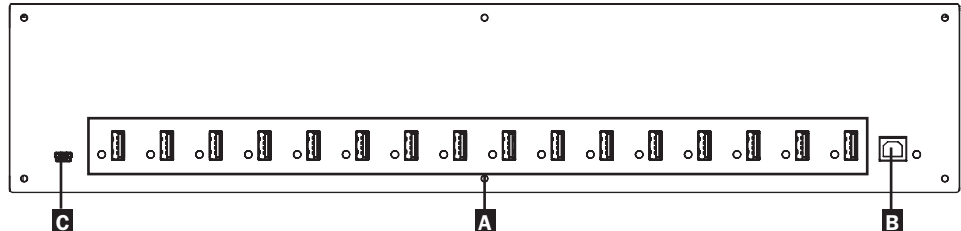
5.1 Características del Cargador/Hub USB

- El cargador/hub USB de grado profesional carga y sincroniza hasta 16 dispositivos con USB, incluyendo el iPad®, iPod®, iPhone®, y tabletas y smartphones Android™.
- Proporciona a cada puerto USB un nivel de carga óptimo para un dispositivo en particular (hasta 2.4 Amperes).
- Permite realizar la sincronización para cualquier dispositivo diseñado para comunicaciones de datos por USB, mediante software compatible para administración de archivos.
- Sincroniza dispositivos Syncs Apple® mediante el software iTunes® o Apple Configurator.
- El Puerto Mini-USB para Actualización de Firmware permite futuras actualizaciones de software a soporte dispositivos nuevos.
- El alojamiento para instalación en rack 2U puede configurarse para instalaciones profesionales, educativas o personales.
- La entrada IEC C14 hace fáciles las conexiones de alimentación, usando los cables de alimentación dedicados por región (incluidos).

A Puertos para Dispositivos con USB de 2.4A, con Indicadores LED (16 en total)

B Puerto de Sincronización de Computadora

C Puertos de Actualización de Firmware



5.2 Conexión de Dispositivos al Cargador/Hub USB

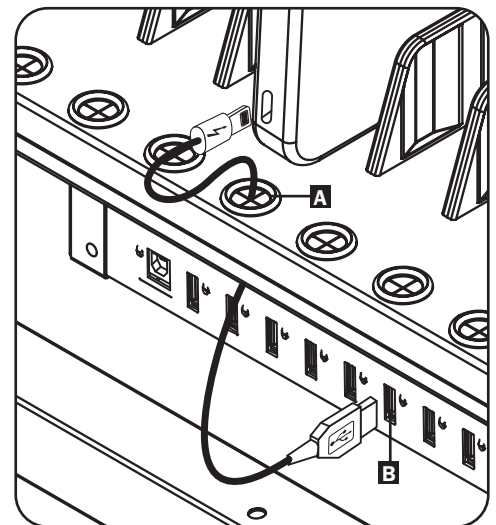
El entrepaño de almacenamiento de la estación de carga cuenta con 16 bujes de protección liberadores de la tensión que evitan que los conectores de los dispositivos del cable USB se salgan por el buje **A**. Usando un cable USB blindado suministrado por el usuario o del fabricante del dispositivo, conecte el cable USB al dispositivo por cargar. Pase entonces el extremo del cable por el buje relevador de tensión en el entrepaño de almacenamiento y conecte el conector USB en un puerto de carga USB **B**. Repita para todos los dispositivos y reinstale el panel obturador removido en la **Sección 4.1** a la unidad.

Tripp Lite ofrece cables individuales y en paquetes de 10 para dispositivos Apple® que usan cables USB a 30 Pines o USB a Lightning™, así como cables individuales y en paquetes de 10 para dispositivos USB 3.0 o 2.0 usando cables USB A (macho) a Micro B (macho) de 5 Pines.

Tipo de Cable	Cable Individual Número de Modelo	Paquete de 10 Cables Número de Modelo
Conector Apple USB a 30 Pines, 25.4 cm [10 pulg.]	M110-10N-BK	M110-10N-BK-10
Conector Apple USB a 30 Pines, 0.9 m [3 pies]	M110-003-WH	—
Conector Apple USB a Lightning de 8 Pines, 25.4 cm [10 pulg.]	M100-10N-BK	M100-10N-BK-10
Conector Apple USB a Lightning de 8 Pines, 0.9 m [3 pies]	M100-003-BK M100-003-WH	—
Conector Apple USB a Lightning de 8 Pines, 1.8 m [6 pies]	M100-006-BK M100-006-WH	—
Conector Apple USB a Lightning de 8 Pines, 3 m [10 pies]	M100-010-BK M100-010-WH	—
USB 3.0 SuperSpeed A (Macho) a Micro-B (Macho) de 5 Pines, 30.5 cm [1 pie]	U326-001-BK	U326-001-BK-10
USB 3.0 SuperSpeed A (Macho) a Micro-B (Macho) de 5 Pines, 0.9 m [3 pies]	U326-003 U326-003-BK	—
USB 3.0 SuperSpeed A (Macho) a Micro-B (Macho) de 5 Pines, 3 m [10 pies]	U326-010	—
USB 2.0 Reversible A (Macho) a Micro-B (Macho) de 5 Pines, 30.5 cm [1 pie]	UR050-001*	UR050-001-10*
USB 2.0 Reversible A (Macho) a Micro-B (Macho) de 5 Pines, 0.9 m [3 pies]	UR050-003* UR050-003-WH*	—
USB 2.0 Reversible A (Macho) a Micro-B (Macho) de 5 Pines, 1.8 m [6 pies]	UR050-006* UR050-006-SLIM*	—
USB 2.0 Reversible A (Macho) a Micro-B (Macho) de 5 Pines, 3 m [10 pies]	UR050-010*	—

* Cuenta con un conector USB A (macho) reversible para instalaciones simplificadas.

Para más información sobre nuestra selección de cables USB premium, visite triplite.com.



5. Cargador/Hub USB de 16 Puertos

5.3 Conexión de una Computadora al Cargador/Hub USB

Además del dispositivo de carga, el Cargador/Hub USB está equipado con una función de hub que sincroniza dispositivos y sus aplicaciones respectivas de software mediante una computadora conectada. Para permitir la función de hub utilice el cable USB incluido para conectar el conector USB B en el puerto de sincronización del Cargador/Hub USB y el conector USB A en el puerto USB de una computadora.

Nota: Cuando se ha establecido una conexión con una computadora y estén conectados múltiples dispositivos al Cargador/Hub USB, la tasa de carga se reducirá durante la sincronización y se restablecerá la tasa de carga normal una vez terminada ésta.

Nota: El Puerto de Actualización de Firmware requiere una conexión mini-USB (cable no incluido). Para descargar las actualizaciones más recientes de firmware, vaya a tripplite.com/support.

6. Instalación en Pared

Para realizar la instalación en pared, necesitará:

- Nivel
- Herramientas adecuadas para la instalación en pared
- Accesorios adecuados para la instalación en pared (no se incluyen)

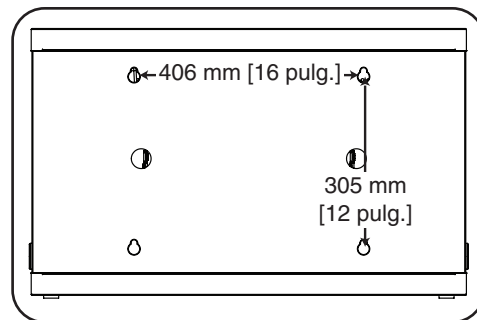
Advertencia: no intente instalar la estación de carga a la pared con ningún dispositivo electrónico personal adentro.

El panel lateral del gabinete de la estación de carga tiene 4 perforaciones. Cada perforación admite un perno M5 o de 3/16 pulgadas. Cada juego de perforaciones está centrado a 406 mm [16 pulgadas] de distancia en dirección horizontal y a 305 mm [12 pulgadas] en dirección vertical (consulte el diagrama del modelo correspondiente para ver las ubicaciones exactas).

Usando un nivel y una cinta métrica, mida para determinar con precisión la posición de las áreas de instalación. Use sujetadores adecuados (no incluidos) para asegurar la estación de carga a la pared. Use sujetadores adecuados (no incluidos) para asegurar la estación de carga a la pared.

Nota: la estación de carga debe ser instalada por un técnico calificado. Utilice los medios de instalación adecuados para realizar la instalación en un bloque de hormigón, concreto, tabla roca o travesaños de madera.

Advertencia: la superficie de apoyo debe ser capaz de soportar con seguridad el peso combinado de la estación de carga, el equipo almacenado y de todos los accesorios y los componentes conectados. Ver Sección 8. Especificaciones para obtener más información sobre peso y dimensiones de su modelo.



7. Colocación en Escritorio/Piso

ADVERTENCIA: Para aplicaciones en escritorio y piso, instale siempre una estación de carga en un área estructuralmente firme con una superficie nivelada que sea capaz de soportar el peso de la estación de carga, todo el equipo que se instalará en la estación de carga y cualquier otro gabinete y/o equipo que se instalará en la misma superficie. Nunca intente levantar o instalar la estación de carga sin la ayuda adecuada. Ver Sección

8. Especificaciones para obtener más información sobre la capacidad de carga especificada de la estación de carga.

Nota: Los soportes de montaje que se entregan con la unidad también se puede utilizar para asegurar la estación de carga a una superficie de escritorio.

8. Especificaciones

Modelo	CSC16USB
Dimensiones del gabinete (Al x An x Pr)	617 x 884 x 513 mm / 24.3 x 34.8 x 20.2 pulg.
Peso de la unidad	59 kg / 130.7 lb.
Capacidad de carga*	90 kg / 200 lb.
Puertos de Cargador/Hub	16 x USB 2.0 A (Hembra) 1 x USB 2.0 B (Hembra) 1 x USB 2.0 mini (Hembra)
Velocidad de Transmisión	Hasta 480 Mbps
Requerimiento de Energía	Entrada: 110-120V, 2.5A, 50/60 Hz Salida: 5.0V, 2.4A Max (por puerto USB)
Temperatura de Operación	0° a 40° C / 32° a 104° F
Humedad de Funcionamiento	5 a 95% de HR, Sin Condensación
Material del Gabinete	Metal

*Para la capacidad de carga total de instalación en pared, la superficie de instalación debe poder soportar el peso completo de la estación de carga y de todos los componentes conectados. Las especificaciones pueden estar sujetas a cambio sin previo aviso.

9. Almacenamiento, Servicio y Limpieza

Almacenamiento

El gabinete debe estar almacenado en un entorno interior controlado, alejado de humedad, temperaturas extremas, líquidos y gases inflamables, contaminantes conductivos, polvo y luz solar directa. De ser posible, almacene el gabinete en el contenedor de embarque original.

Servicio

El gabinete está cubierto por la garantía limitada descrita en el presente manual. Para obtener más información, visite tripplite.com/support.

Limpieza

Antes de limpiar, siempre desconecte la estación de carga de la fuente CA. Humedezca un trapo limpio y sin pelusas con agua, y limpie la unidad según sea necesario. Deje que la superficie se seque antes de conectarla.

Nota: evite el uso de trapos abrasivos, solventes o aerosoles para limpiar la estación de carga, ya que pueden dañarla.

10. Ruedas y Manija Opcionales

Para aplicaciones que requieran movilidad extra, un juego opcional de accesorios de ruedas y manija (**Modelo: CSHANDLEKIT2**) contiene dos ruedas giratorias con seguro, dos ruedas solo giratorias y una manija que se fija a la parte superior de la unidad estación de carga. Visita tripplite.com para más información.

11. Garantía

GARANTÍA LIMITADA DE 2 AÑOS

El vendedor garantiza que este producto no tiene defectos originales de materiales ni de mano de obra por un período de dos años a partir de la fecha original de compra, si se utiliza de acuerdo con todas las instrucciones correspondientes. En caso de demostrarse dentro de ese período que el producto tiene defectos de materiales o de mano de obra, el vendedor lo reparará o reemplazará a su exclusiva discreción. El servicio técnico bajo esta garantía solo puede ser obtenido si usted entrega o envía el producto (con todos los cargos de envío o entrega prepagos) a: Tripp Lite; 1111 W. 35th Street; Chicago IL 60609; EE. UU. El vendedor abonará los cargos de envío de devolución. Visite tripplite.com/support antes de enviar cualquier equipo para reparación.

ESTA GARANTÍA NO CUBRE EL DESGASTE NORMAL NI LOS DAÑOS CAUSADOS POR ACCIDENTES, MAL USO, ABUSO O NEGLIGENCIA. EL VENDEDOR NO OFRECE NINGUNA GARANTÍA EXPRESA QUE NO SEA LA ESTABLECIDA EXPRESAMENTE EN EL PRESENTE DOCUMENTO. EXCEPTO EN LA MEDIDA EN QUE LO PROHIBAN LAS LEYES APLICABLES, LA DURACIÓN DE TODAS LAS GARANTÍAS IMPLÍCITAS, INCLUIDAS LAS DE COMERCIABILIDAD O APTITUD, SE LIMITA AL PERÍODO DE GARANTÍA ANTES MENCIONADO Y ESTA GARANTÍA EXCLUYE EXPRESAMENTE TODOS LOS DAÑOS INCIDENTALES E INDIRECTOS. (Algunos Estados no permiten las limitaciones a la duración de una garantía implícita y algunos Estados no permiten la exclusión o limitación de los daños incidentales o indirectos, de modo que las limitaciones o exclusiones antes mencionadas pueden no corresponder en su caso. Esta garantía le otorga derechos legales específicos y usted puede tener otros derechos que varían de una jurisdicción a otra.)

ADVERTENCIA: Antes de usar este dispositivo, cada usuario debe ocuparse de determinar si es apto, adecuado o seguro para el uso que pretende darle. Dado que las aplicaciones individuales están sujetas a diversas variaciones, el fabricante no representa ni garantiza la idoneidad o condición de estos dispositivos para cualquier aplicación específica.

Cumplimiento de las normas de los números de identificación

Para fines de identificación y certificación del cumplimiento de las normas, su producto Tripp Lite tiene asignado un número de serie único. Puede encontrar el número de serie en la etiqueta de la placa de identificación del producto, junto con los símbolos de aprobación e información requeridos. Al solicitar información sobre el cumplimiento de las normas para este producto, siempre mencione el número de serie. El número de serie no debe ser confundido con el nombre de identificación ni con el número de modelo del producto.

Información de sobre Cumplimiento de la WEEE para Clientes de Tripp Lite y Recicladores (Unión Europea)



Según la Directiva de Residuos de Aparatos Eléctricos y Electrónicos (Waste Electrical and Electronic Equipment, WEEE) y sus reglamentos, cuando los clientes compran nuevos equipos eléctricos y electrónicos a Tripp Lite, tienen derecho a:

- Enviar equipos antiguos para reciclaje según una base de uno por uno, entre productos similares (esto varía dependiendo del país)
- Enviar el equipo nuevo de vuelta para reciclaje cuando este se convierta finalmente en desecho

Tripp Lite tiene una política de mejora continua. Las especificaciones están sujetas a cambio sin previo aviso. Las fotografías e ilustraciones pueden diferir ligeramente de los productos reales.



Manuel de l'utilisateur

Station de chargement USB

Modèles à 16 ports : CSC16USB

Table des matières

1. Consignes de sécurité importantes	18	6. Installation murale	22
2. Aperçu	18	7. Placement sur un dessus de bureau/au plancher	22
3. Identification des caractéristiques	19	8. Spécifications	23
4. Configuration	20	9. Entreposage, entretien et nettoyage	23
4.1 Réglage des diviseurs de l'étagère de rangement	20	10. Roulettes et poignée en option	
4.2 Mise sous tension de l'unité du chargeur USB/concentrateur		11. Garantie	24
4.3 Verrous de porte	20	English	1
5. Chargeur/concentrateur USB à 16 ports	21	Español	9
5.1 Caractéristiques du chargeur USB /concentrateur	21		
5.2 Connecter les appareils au concentrateur/chargeur USB	21		
5.3 Connecter un ordinateur au concentrateur/chargeur USB	22		



1111 W. 35th Street, Chicago, IL 60609 EE. UU. • tripplite.com/support

Droits d'auteur © 2021 Tripp Lite. Toutes les marques de commerce sont la propriété exclusive de leurs propriétaires respectifs.

1. Consignes de sécurité importantes



CONSERVEZ CES INSTRUCTIONS.

Ce manuel contient des instructions et des avertissements qui doivent être suivis lors de l'installation et du fonctionnement du produit décrit dans ce manuel. Le non-respect peut annuler la garantie et causer des dommages à la propriété ou des blessures.

Unité du chargeur USB/concentrateur :

- Pour retirer le chargeur USB/concentrateur de l'alimentation du secteur, le cordon d'alimentation sert de dispositif de débranchement.
- Si l'une des situations suivantes se présente, prendre rendez-vous pour faire inspecter l'équipement par un technicien en entretien :
 - L'équipement a été exposé à l'humidité.
 - L'équipement a été échappé et endommagé.
 - L'équipement montre des signes évidents de dommages.
 - L'équipement ne fonctionne pas correctement ou ne fonctionne pas conformément aux directives du manuel de l'utilisateur.
- Il n'est pas recommandé d'utiliser cet équipement pour des appareils de survie où une défaillance de cet équipement peut, selon toute vraisemblance, entraîner la défaillance de l'appareil de maintien de vie ou affecter de façon majeure sa sécurité ou son efficacité.

Armoire de la station de chargement

- Garder la station de chargement dans un environnement intérieur contrôlé, à l'écart de l'humidité, des températures extrêmes, des liquides et des gaz inflammables, des contaminants conducteurs, de la poussière et de la lumière directe du soleil.
- Laisser suffisamment d'espace autour de la station de chargement pour assurer une bonne ventilation. Ne pas bloquer, couvrir ou insérer des objets dans les ouvertures de ventilation externes de la station de chargement.
- La station de chargement est extrêmement lourde. Faire preuve de vigilance lors de la manutention de la station de chargement. Ne pas tenter de la débarrer ou de la monter sans assistance. Utiliser un dispositif mécanique comme un chariot élévateur à fourche ou un transpalette manuel pour déplacer la station de chargement dans le conteneur d'expédition.
- Ne pas placer de récipients contenant un liquide ou empiler des objets sur l'armoire.
- Inspecter le conteneur d'expédition et la station de chargement pour s'assurer qu'elle n'a subi aucun dommage durant le transport. Ne pas utiliser la station de chargement si elle est endommagée.
- Faire preuve de vigilance au moment de couper le matériel d'emballage. Cela risquerait d'égratigner la station de chargement, causant des dommages qui ne sont pas couverts par la garantie.
- Conserver tout le matériel d'emballage en vue d'une utilisation ultérieure. Remballer et expédier l'armoire de la station de chargement ou l'équipement sans le matériel d'emballage d'origine pourrait causer des dommages au produit et annuler la garantie.

Pour les installations murales et sur un dessus de bureau :

- Avant le montage, s'assurer d'abord que la surface du mur peut supporter sans risque la charge combinée de la station de chargement, de l'équipement stocké et de tout le matériel et composants attachés.
- Toujours utiliser des moyens de montage appropriés pour une installation sur des blocs de béton de mâchefer, du béton, des cloisons sèches ou des colombages en bois.
- Pour les installations de bureau, les supports de montage fournis avec l'appareil peut également être utilisé pour sécuriser la station de charge à une surface de bureau.

2. Aperçu

La station de chargement est une solution tout-en-un pour ranger et charger jusqu'à 16 appareils. La station de chargement peut être commodément montée aux murs de même que configurée pour un ordinateur de bureau ou placée sur le plancher. Pour prévenir le vol et l'altération de l'appareil, le boîtier de la station de chargement est équipé de portes en acier verrouillables.

3. Identification des caractéristiques

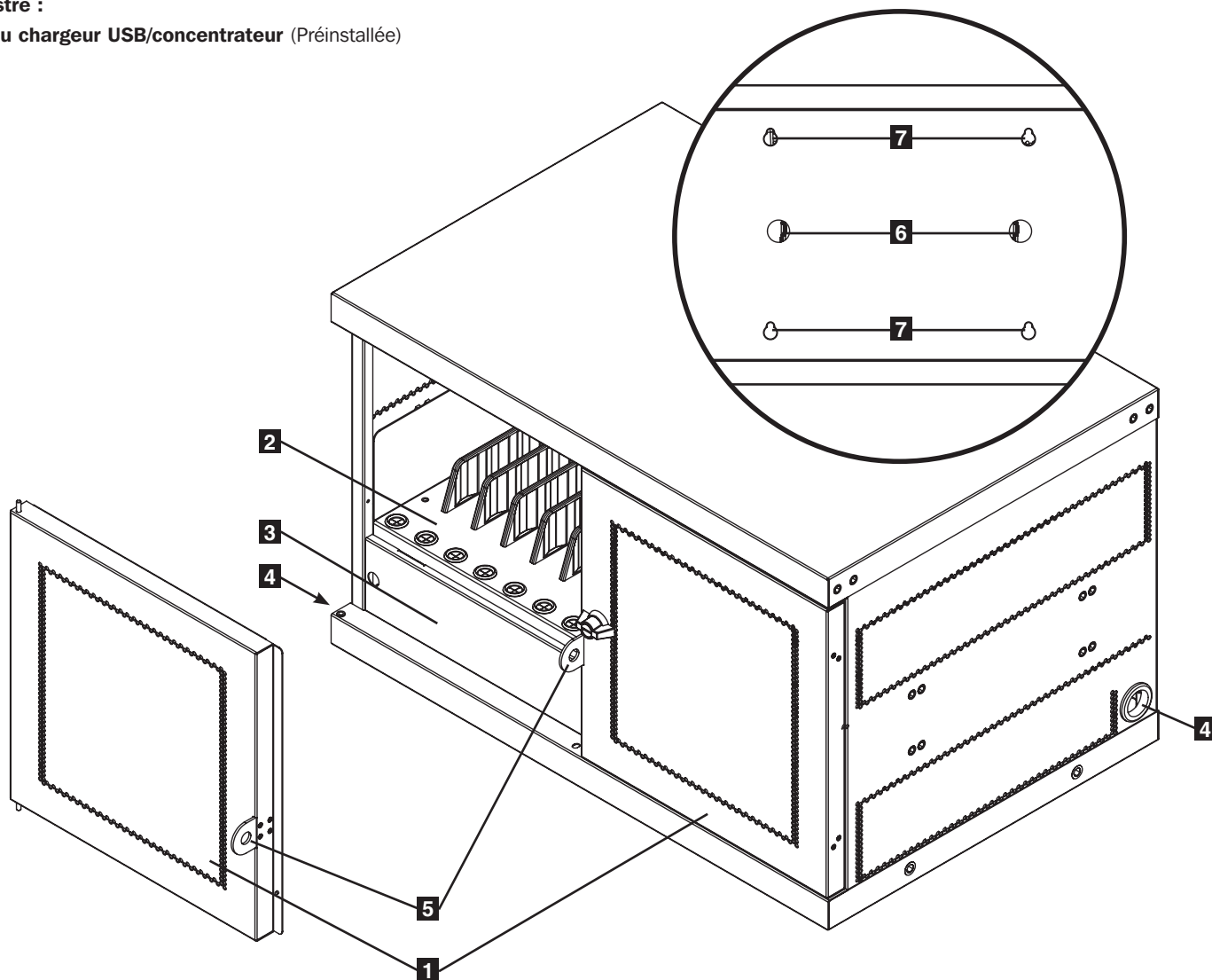
CSC16USB

- 1** Portes en deux parties verrouillables
- 2** Étagère de rangement réglables (chaque étagère peut recevoir jusqu'à 16 appareils)
- 3** Panneau de suppression (amovible)
- 4** Trous d'accès au cordon d'alimentation (1 de chaque côté)
- 5** Morillon à cadenas (L'utilisateur fournit le dispositif de verrouillage.)
- 6** Ouvertures pour l'acheminement du dispositif de verrouillage des câbles (L'utilisateur fournit le dispositif de verrouillage.)
- 7** Panneau latéral avec fentes pour montage mural en trou de serrure (Voir la Section 6 pour plus de renseignements)

Non illustré :

Unités du chargeur USB/concentrateur (Préinstallée)

Clés



4. Configuration



Mise en garde! Lire toutes les instructions et les avertissements avant l'installation.

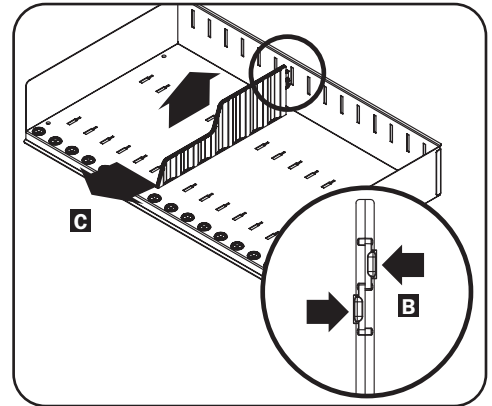
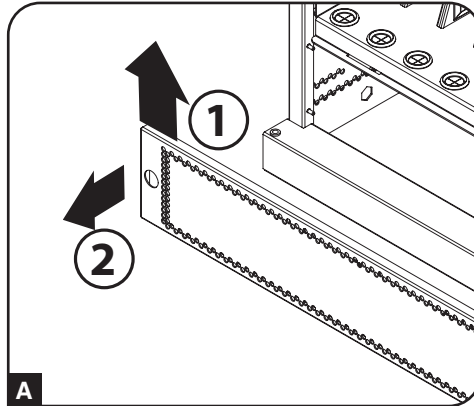


Avertissement : Les stations de chargement peuvent être extrêmement lourdes. Ne pas tenter de déballer ou de monter la station de chargement sans assistance. Suivre les instructions de déballage du manuel expédié avec ce produit avant de procéder à la configuration. Faire preuve de vigilance lors de la manutention de la station de chargement et s'assurer de respecter toutes les instructions concernant la manutention et l'installation. Ne pas tenter d'installer l'équipement sans d'abord stabiliser la station de chargement.

4.1 Réglage des diviseurs de l'étagère de rangement

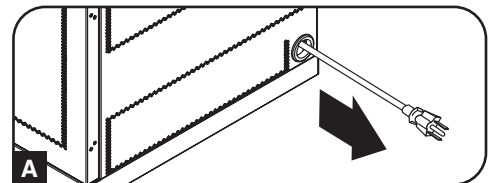
La station de chargement est fournie avec un étagère de rangement avec diviseurs réglables qui peuvent chacune recevoir jusqu'à 16 appareils électroniques personnels.

Enlever tous les appareils électroniques personnels rangés sur le plateau de l'étagère. Retirer ensuite le panneau de suppression en insérant vos doigts dans ses trous de gauche et de droite, puis en soulevant le panneau de suppression vers le haut et en le retirant **A**. Pour retirer le plateau d'étagère de l'armoire, pousser le plateau d'étagère vers l'avant pour le dégager du crochet de montage, puis tirer le plateau vers le haut puis hors de l'armoire. Une fois l'étagère enlevée, retirer ou réarranger les séparateurs en poussant sur les deux languettes retenant le séparateur à l'extrémité arrière **B**, puis pousser le séparateur vers l'avant pour le dégager du plateau d'étagère **C**. Répéter, au besoin, pour chaque séparateur d'étagère supplémentaire.



4.2 Mise sous tension de l'unité du chargeur USB/concentrateur

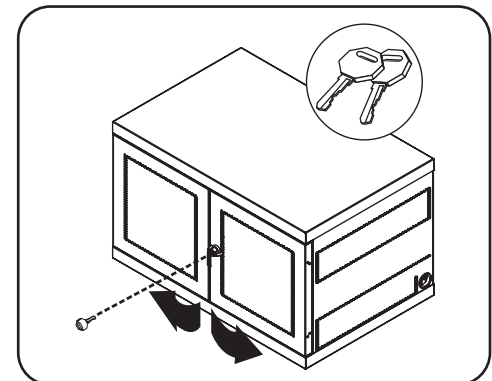
Une fois que le panneau de suppression a été retiré tel qu'illustré dans la section **Section 4.1**, trouver la fiche d'alimentation de l'unité du chargeur USB/concentrateur et le câble qui se trouvent dans le compartiment inférieur de la station de chargement, puis pousser la fiche d'alimentation à travers l'un des passe-fils du trou d'accès aux câbles situé sur l'un ou l'autre des côtés de l'armoire de la station de chargement **A** (il est recommandé d'utiliser le même côté du trou d'accès aux câbles que le guide du cordon d'alimentation). Brancher le cordon d'alimentation dans la prise de courant à 3 broches mise à la masse la plus près.



Remarque : Le cordon d'alimentation peut également être acheminé à travers le panneau arrière de la station de chargement. Pour ce faire, il suffit tout d'abord d'enlever le passe-fil de caoutchouc du **trou d'accès du cordon d'alimentation** et le fixer au **trou pour l'acheminement du dispositif de verrouillage des câbles** à l'arrière de l'appareil (voir **3. Identification des caractéristiques** pour les emplacements d'acheminement).

4.3 Verrous de porte

Les portes en deux parties comportent un verrou qui est accessible avec les clés incluses.



5. Chargeur/concentrateur USB à 16 ports

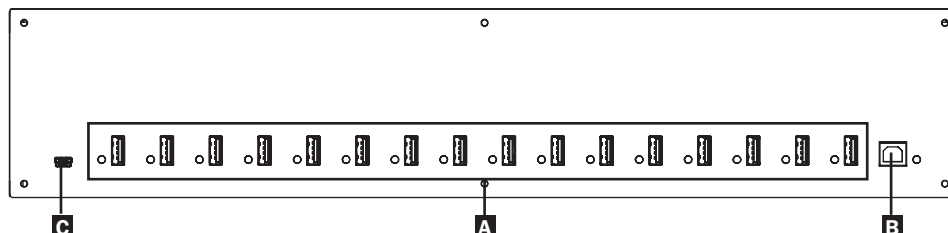
5.1 Caractéristiques du chargeur USB /concentrateur

- Le chargeur/concentrateur USB de qualité professionnelle charge et synchronise jusqu'à 16 appareils USB, y compris des iPad®, iPod® et iPhone®, et les tablettes et téléphones intelligents Android™.
- Fournit à chaque port USB un niveau de charge optimal pour un appareil particulier (jusqu'à 2,4 ampères).
- Permet que la synchronisation soit effectuée avec tout appareil conçu pour les communications de données USB au moyen d'un logiciel de gestion des fichiers compatible.
- Synchronise les appareils Apple® via le logiciel iTunes® ou Apple Configurator.
- Le port de mise à niveau de micrologiciel mini-USB permet la mise à niveau des logiciels pour soutenir de nouveaux dispositifs.
- Le boîtier de 2U pouvant être monté en bâti peut être configuré pour les installations professionnelles, pédagogiques ou personnelles.
- L'entrée IEC C14 facilite les connections de l'alimentation en utilisant les cordons d'alimentation régionaux dédiés (inclus).

A Ports pour appareils USB de 2,4 A avec témoins à DEL (16 au total)

B Port de synchronisation pour ordinateur

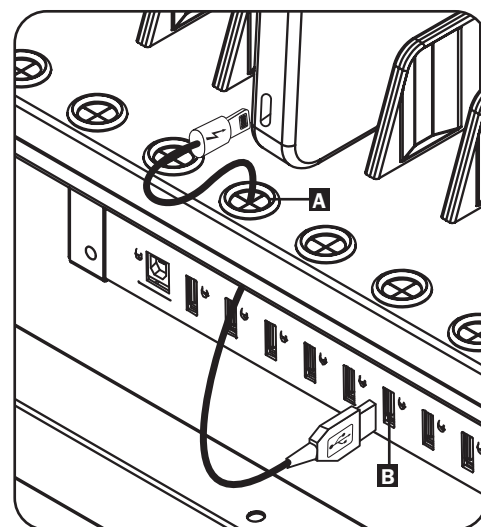
C Port de mise à niveau de micrologiciel



5.2 Connecter les appareils au concentrateur/chargeur USB

L'étagère de rangement de la station de chargement comporte 16 bagues de retenue qui empêchent les connecteurs d'appareils du câble USB de glisser à travers la bague **A**. En utilisant un câble USB blindé dont vous disposez ou fourni par le fabricant de l'appareil, connectez le câble USB à l'appareil qui doit être chargé. Faites ensuite passer l'extrémité du câble par la bague anti-traction de l'étagère de rangement et connectez le connecteur USB à un port de chargement USB **B**. Répéter pour tous les appareils et remettre en place sur l'appareil le panneau de suppression ayant été retiré dans la **Section 4.1**.

Tripp Lite propose des câbles individuels et des lots de 10 câbles pour les appareils Apple® nécessitant des câbles USB vers 30 broches ou USB vers Lightning™, ainsi que des câbles individuels et des lots de 10 câbles pour les appareils USB 3.0 ou 2.0 nécessitant des câbles USB A (mâle) vers 5 broches Micro B (mâle).



Type de câble	Câble individuel Numéro de modèle	Lot de 10 câbles Numéro de modèle
Connecteur Apple USB vers 30 broches, 25,4 cm (10 po)	M110-10N-BK	M110-10N-BK-10
Connecteur Apple USB vers 30 broches, 0,9 m (3 pieds)	M110-003-WH	—
Connecteur Apple USB vers 8 broches Lightning, 25,4 cm (10 po)	M100-10N-BK	M100-10N-BK-10
Connecteur Apple USB vers 8 broches Lightning, 0,9 m (3 pieds)	M100-003-BK M100-003-WH	—
Connecteur Apple USB vers 8 broches Lightning, 1,8 m (6 pieds)	M100-006-BK M100-006-WH	—
Connecteur Apple USB vers 8 broches Lightning, 3 m (10 pieds)	M100-010-BK M100-010-WH	—
USB 3.0 SuperSpeed A (mâle) vers 5 broches Micro-B (mâle), 30,48 cm (12 po)	U326-001-BK	U326-001-BK-10
USB 3.0 SuperSpeed A (mâle) vers 5 broches Micro-B (mâle), 0,9 m (3 pieds)	U326-003 U326-003-BK	—
USB 3.0 SuperSpeed A (mâle) vers 5 broches Micro-B (mâle), 3 m (10 pieds)	U326-010	—
USB 2.0 réversible A (mâle) vers 5 broches Micro-B (mâle), 30,48 cm (12 po)	UR050-001*	UR050-001-10*
USB 2.0 réversible A (mâle) vers 5 broches Micro-B (mâle), 0,9 m (3 pieds)	UR050-003* UR050-003-WH*	—
USB 2.0 réversible A (mâle) vers 5 broches Micro-B (mâle), 1,8 m (6 pieds)	UR050-006* UR050-006-SLIM*	—
USB 2.0 réversible A (mâle) vers 5 broches Micro-B (mâle), 3 m (10 pieds)	UR050-010*	—

* Dispose d'un connecteur USB A (mâle) réversible pour une installation plus simple.

Visitez triplite.com pour plus d'informations sur notre sélection de câbles USB de haute qualité.

5. Chargeur/concentrateur USB à 16 ports

5.3 Connecter un ordinateur au concentrateur/chargeur USB

En plus de charger l'appareil, l'unité est équipée d'une fonction de concentrateur qui synchronise les appareils et leurs applications logicielles respectives via un ordinateur raccordé. Pour activer la fonction de concentrateur, utiliser le câble USB inclus pour brancher le connecteur B USB au port de synchronisation pour ordinateur du chargeur/concentrateur USB et le connecteur A USB dans le port USB d'un ordinateur.

Remarque : Lorsque la connexion d'un ordinateur est établie et que plusieurs appareils sont branchés au chargeur/concentrateur USB, le taux de charge sera réduit durant la synchronisation et le taux de charge normal reprendra une fois la synchronisation terminée.

Remarque : Le port de mise à niveau de micrologiciel nécessite une connexion mini-USB (câble non inclus). Pour télécharger les mises à jour des micrologiciels les plus récentes, visitez tripplite.com/support.

6. Installation murale

Pour le montage mural, il faut :

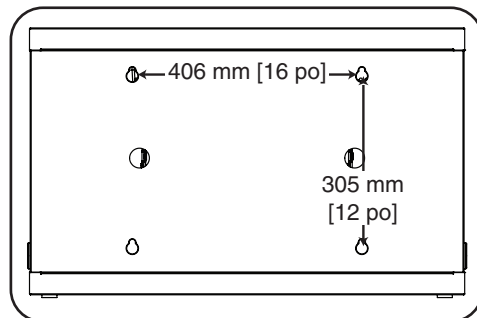
- Un niveau
- Les outils appropriés pour le montage mural
- La quincaillerie appropriée pour le montage mural (non incluse)

Avvertissement : Ne pas tenter de monter la station de chargement au mur avec des appareils électroniques personnels à l'intérieur.

On retrouve 4 découpes en trou de serrure sur le panneau latéral de l'armoire de la station de chargement. Chaque trou de serrure peut accueillir un boulon M5 ou de 4,76 mm (3/16 po). Chacun des ensembles de trous de serrure sont centrés à 40,64 cm (16 po) l'un de l'autre sur le plan horizontal et sont espacés de 30,50 cm (12 po) sur le plan vertical (voir les diagrammes correspondant à chaque modèle pour l'emplacement exact des trous de serrure).

À l'aide d'un niveau et d'un ruban à mesurer, mesurer pour placer avec précision les zones de montage. Utiliser des fixations appropriées (non incluses) pour retenir la station de chargement au mur. Utiliser des fixations appropriées (non incluses) pour retenir la station de chargement au mur.

Remarque : La station de chargement doit être installée par un technicien qualifié. Utiliser des moyens de montage appropriés pour une installation sur des blocs de béton de mâchefer, du béton, des cloisons sèches ou des colombages en bois. **Avvertissement :** La surface d'appui doit pouvoir supporter sans risque la charge combinée de la station de chargement, de l'équipement stocké et de tout le matériel et composants attachés. Voir Section 8. Spécifications pour plus de renseignements sur le poids et les dimensions du modèle.



7. Placement sur un dessus de bureau/au plancher

AVERTISSEMENT : Pour les applications sur le dessus d'un bureau ou au plancher, toujours installer la station de chargement dans un endroit solidement construit avec une surface au niveau capable de supporter le poids de la station de chargement, de tout l'équipement qui sera installé dans la station de chargement et de tout autre boîtier et/ou équipement qui sera installé à proximité. Ne jamais tenter de soulever ou d'installer la station de chargement sans aide adéquate. Voir la **Section 8. Spécifications** pour plus de renseignements sur la capacité de charge nominale de la station de chargement.

Remarque : Les supports de montage fournis avec l'appareil peut également être utilisé pour sécuriser la station de charge à une surface de bureau.

8. Spécifications

Modèle	CSC16USB
Dimensions (H x L x P)	617 x 884 x 513 mm / 24,3 x 34,8 x 20,2 po
Poids unitaire	59 kg / 130,7 livres
Capacité nominale*	90 kg / 200 livres
Ports pour chargeur/mandrin	16 x USB 2.0 A (femelle) 1 x USB 2.0 B (femelle) 1 x USB 2.0 mini (femelle)
Vitesse de transmission	Jusqu'à 480 Mbps
Besoins en puissance	Entrée : 110 à 120 V, 2,5 Ab 50/60 Hz Sortie : 5,0 V, 2,4 A Max (par port USB)
Température supportée pour un fonctionnement normal	0° à 40° C / 32° à 104° F
Humidité supportée pour un fonctionnement normal	5 à 95 % HR, sans condensation
Matériau du boîtier	Métal

*La capacité de charge totale pour le montage mural exige une surface de montage pouvant supporter la charge totale de la station de chargement et de tous les composants connectés. Les spécifications sont sujettes à changement sans préavis.

9. Entreposage, entretien et nettoyage

Entreposage

L'armoire doit être entreposée dans un environnement intérieur contrôlé, à l'écart de l'humidité, des températures extrêmes, des liquides et des gaz inflammables, des contaminants conducteurs, de la poussière et de la lumière directe du soleil. Entreposer l'armoire dans son conteneur d'expédition original si possible.

Entretien

L'armoire est couverte par la garantie limitée décrite dans ce manuel. Pour plus de renseignements, visitez tripplite.com/support.

Nettoyage

Avant de nettoyer, toujours mettre la station de chargement hors tension en la débranchant de sa source CA. Au besoin, essuyer l'appareil avec un linge humide, propre et non pelucheux. Laisser sécher la surface avant de brancher l'appareil.

Remarque : Éviter l'utilisation de chiffons abrasifs, de solvants ou de pulvérisateurs aérosols pour nettoyer la station de chargement; cela risquerait d'endommager l'appareil.

10. Roulettes et poignée en option

Pour les applications nécessitant une plus grande mobilité, une trousse d'accessoires pour roulettes et poignée en option (**Modèle : CSHANDLEKIT2**) contient deux roulettes pivotantes/verrouillables, deux roulettes pivotantes seulement et une poignée qui se fixe sur le dessus de la station de chargement. Visitez tripplite.com pour plus d'informations.

11. Garantie

GARANTIE LIMITÉE DE 2 ANS

Le vendeur garantit que ce produit, s'il est utilisé selon toutes les directives applicables, est exempt de défauts d'origine de matériel et de main-d'oeuvre pour une période de 2 ans à partir de la date initiale d'achat. Si le produit s'avère défectueux en matériel ou en main-d'oeuvre durant cette période, le vendeur réparera ou remplacera le produit à sa discrétion. Vous pouvez obtenir un service selon cette garantie seulement en livrant ou en expédiant le produit (avec les frais d'expédition et de livraison prépayés) à : Tripp Lite, 1111 W. 35th Street, Chicago, IL 60609 USA. Le vendeur paiera les frais d'expédition de retour. Visitez triplite.com/support avant de retourner de l'équipement pour réparation.

CETTE GARANTIE NE S'APPLIQUE PAS À L'USURE NORMALE OU AUX DOMMAGES RÉSULTANT D'ACCIDENTS, DE MAUVAIS USAGE, D'ABUS OU DE NÉGLIGENCE. LE VENDEUR N'OFFRE AUCUNE GARANTIE EXPLICITE AUTRE QUE LA GARANTIE EXPRESSÉMENT SIGNIFIÉE À LA PRÉSENTE. EXCEPTÉ SELON LES LIMITES DE LA LOI APPLICABLE, TOUTES LES GARANTIES IMPLICITES, Y COMPRIS TOUTES LES GARANTIES DE QUALITÉ MARCHANDE OU DE CONFORMITÉ À UN BESOIN PARTICULIER, SONT LIMITÉES EN DURÉE À LA PÉRIODE DE GARANTIE ÉNONCÉE CI DESSUS ET CETTE GARANTIE EXCLUE EXPLICITEMENT TOUS LES DOMMAGES ACCESSOIRES OU CONSÉCUTIFS. Certaines juridictions ne permettent pas la limitation de la durée d'une garantie implicite et certaines juridictions ne permettent pas la limitation ou l'exclusion de dommages accessoires ou consécutifs, en conséquence, les limitations et les exclusions ci dessus pourraient ne pas s'appliquer à vous. Cette garantie vous donne des droits légaux spécifiques et vous pourriez avoir d'autres droits selon les juridictions.

MISE EN GARDE : L'utilisateur devra prendre soin de déterminer avant de l'utiliser si cet appareil convient, est adéquat et sûr pour l'usage prévu. Puisque les applications individuelles sont sujettes à de grandes variations, le fabricant ne fait aucune représentation ni n'offre de garantie quand à l'applicabilité et à la conformité de ces appareils pour une application particulière.

Numéros d'identification de conformité aux règlements

À des fins de certification et d'identification de conformité aux règlements, votre produit Tripp Lite a reçu un numéro de série unique. Ce numéro se retrouve sur la plaque signalétique du produit, avec les inscriptions et informations d'approbation requises. Lors d'une demande d'information de conformité pour ce produit, utilisez toujours le numéro de série. Il ne doit pas être confondu avec le nom de la marque ou le numéro de modèle du produit.

L'information de conformité WEEE pour les clients de Tripp Lite et recycleurs (Union européenne)



Sous les directives et règlements de déchet d'équipements électrique et électronique (Waste Electrical and Electronic Equipment, WEEE), lorsque les clients achètent le matériel électrique et électronique neuf de Tripp Lite ils sont autorisés à :

- Envoyer le vieux matériel pour le recyclage sur une base de un-contre-un et en nature (ceci varie selon le pays)
- Renvoyer le matériel neuf pour recyclage quand ceci devient éventuellement un rebut

La politique de Tripp Lite en est une d'amélioration continue. Les spécifications sont sujettes à changement sans préavis. Les produits réels peuvent différer légèrement des photos et des illustrations.

