

Owner's Manual

SmartRack[®] Enclosures for SRCOOL3KTP Top-Rack Mounted AC Units

Models: SR25UBAC, SR33UBAC

(Series Numbers: AGAC7006, AG-0676)

Important Safety Instructions	2	Enclosure Configuration	9
Overview	3	Adding or Removing Front and Rear Doors	9
Feature Identification	4	Reversing Front Door	10
Enclosure Installation	5	Adding or Removing Roof Panel	11
Preparation	5	Adding or Removing Side Panels	12
Unpacking	5	Adjusting Mounting Rails and Cable Management Rails	13
Placement	7	Combining (Baying) Enclosures	14
Leveling	7	Equipment Installation	15
Ground Connection	8	Installing or Removing Cage Nuts	15
		Specifications	16
		Storage and Service	17
		Warranty and Product Registration	18

Español 19 • Français 37 • Русский 55

WARRANTY REGISTRATION

Register your product today and be automatically entered to win an ISOBAR[®] surge protector in our monthly drawing!

tripplite.com/warranty



1111 W. 35th Street, Chicago, IL 60609 USA • tripplite.com/support

Copyright © 2022 Tripp Lite. All rights reserved.

Important Safety Instructions



SAVE THESE INSTRUCTIONS

All sections of this manual contain instructions and warnings that should be followed during the installation and use of the SmartRack Enclosures described in this manual. Read all instructions and warnings thoroughly before attempting to move, install or use the SmartRack Enclosures described in this manual. Failure to comply will create a risk of personal injury and property damage and may invalidate the warranty.

- Keep the enclosure in a controlled indoor environment, away from moisture, temperature extremes, flammable liquids and gasses, conductive contaminants, dust and direct sunlight.
- Leave adequate space at the front and rear of the enclosure for proper ventilation. Do not block, cover or insert objects into the external ventilation openings of the enclosure.
- The enclosure is extremely heavy. Use caution when handling the enclosure. Do not attempt to unpack, move or install it unassisted. Use a mechanical device such as a forklift or pallet jack to move the enclosure in the shipping container.
- Inspect the shipping container and the enclosure for shipping damage. Do not use the enclosure if it is damaged.
- Leave the enclosure in the shipping container until it has been moved as close to the final installation location as possible. The casters are designed for minor position adjustments within the final installation area only. The casters are not designed for moving the enclosure over longer distances.
- The casters are not designed to provide long-term support for the enclosure after final installation. Use the levelers to provide long-term support.
- Install the enclosure in a structurally sound area with a level floor that is able to bear the weight of the enclosure, all equipment that will be installed in the enclosure and any other enclosures and/or equipment that will be installed nearby.
- Install the cabinet securely to the building structure, using the shipping brackets as illustrated in the **Enclosure Installation** section of this manual.
- Do not push the enclosure from the side panels to move it. Pushing from the side panels will cause a tipping hazard.
- When rolling the enclosure on its casters, always push it from behind, never pull it toward you.
- A rolling enclosure can cause personal injury and property damage if not properly supervised. If rolling the enclosure down a ramp is required, use extreme caution. Do not attempt to use ramps that have a slope steeper than 1:12.
- Use caution when cutting packing materials. The enclosure could be scratched, causing damage not covered by the warranty.
- Save all packing materials for later use. Repacking and shipping the enclosure without the original packing materials may cause product damage that will void the warranty.
- Do not re-ship the enclosure with additional equipment unless the enclosure was shipped with a special shock pallet ("SP1" models only). The combined weight of the enclosure and installed equipment must not exceed the load capacity of the pallet. Tripp Lite is not responsible for any damage that occurs during re-shipment.
- Use of this equipment in life support applications where failure of this equipment can reasonably be expected to cause the failure of the life support equipment or to significantly affect its safety or effectiveness is not recommended.
- **DANGER: STABILITY HAZARD, RACKS ARE TO BE INSTALLED BY QUALIFIED SERVICE PERSONEL ONLY.**
- **DANGER: RISK OF SERIOUS INJURY, SECURE THE CABINET TO THE BUILDING STRUCTURE BEFORE MOUNTING EQUIPMENT TO THE TOP OF THE CABINET.**

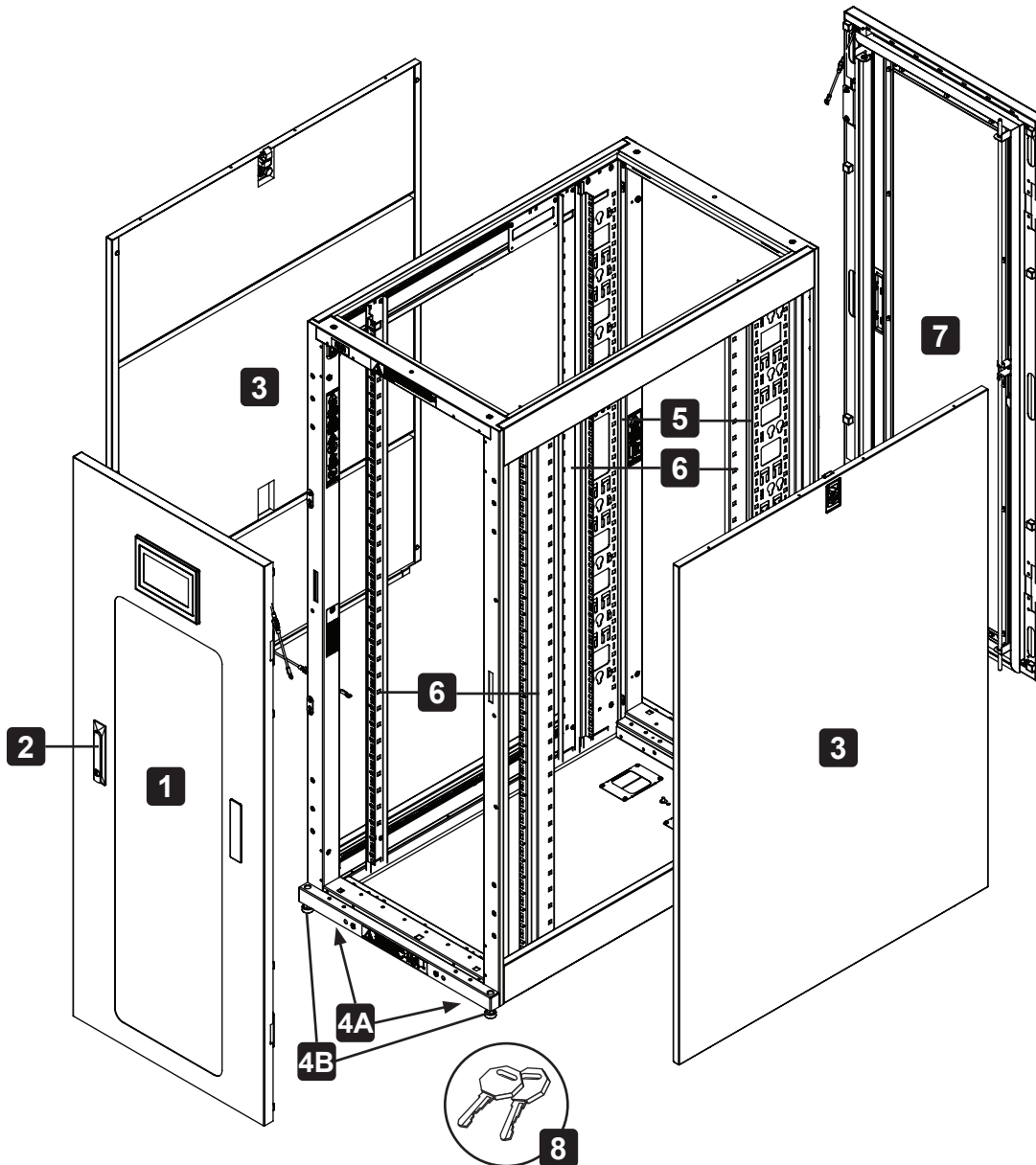
Overview

SmartRack Enclosures accommodate all standard 19-inch rack-mount equipment, regardless of vendor, and ship fully assembled for quick and easy deployment.

The SR25UBAC and SR33UBAC enclosure cabinets are specially designed for use with the SRCOOL3KTP Self-Contained, Top-Rack Mounted AC Unit.

SR25UBAC and SR33UBAC enclosures have variable mounting depths, ideal for servers. Integrated baying hardware enables cost-effective, orderly and efficient expansion. Both cabinets include sealed front and rear doors with Plexiglas windows and insulated side panels for greater energy efficiency and cooling, as well as convenient maintenance and improved access. For added security, front and rear doors use multi-point latch locks.

Feature Identification



Model SR33UBAC shown.

- 1** Sealed front door with Plexiglas window
- 2** Multi-point latch door locks
- 3** Insulated, locking side panels
- 4** Casters **A** and Levelers **B**
- 5** Cable management rails
- 6** Mounting rails (Provide horizontal and vertical mounting points for equipment)
- 7** Sealed rear door with Plexiglas window
- 8** Keys

Enclosure Installation



Caution! Read All Instructions and Warnings Before Installation!



WARNING: The rack enclosure is extremely heavy. Do not attempt to unpack, move or install the enclosure without assistance. Until it has been properly installed and stabilized, the enclosure is prone to tipping and could cause property damage and/or personal injury. Use extreme caution when handling the enclosure and be sure to follow all handling and installation instructions. Do not attempt to install equipment without first stabilizing the enclosure.

Preparation

The enclosure must be installed in a structurally sound area with a level floor that is able to bear the weight of the enclosure, all the equipment that will be installed in the enclosure and any other enclosures and/or equipment that will be installed nearby. Before unpacking the enclosure, you should transport the shipping container as close as possible to the final installation location to minimize the distance you will need to move the unit after the protective packaging has been removed. If you plan to store the enclosure for an extended period before installation, follow the instructions in the **Storage and Service** section.

You need several tools (user-supplied):

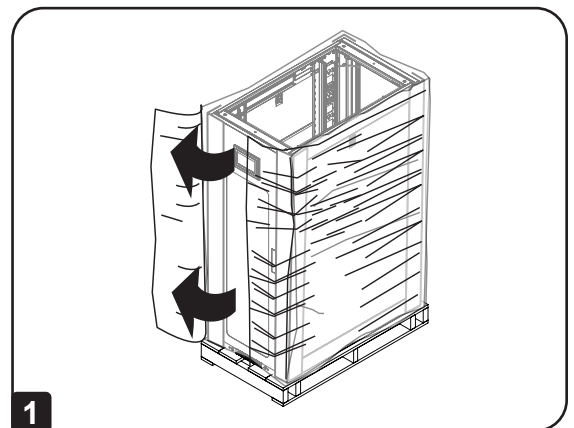
- 13 mm Wrench
- 18 mm Wrench
- Utility Blade
- Carpenter's Level
- Phillips Screwdriver
- Flat Screwdriver
- 5/32" Allen Wrench

You also need the following hardware (included):

- (50) Phillips Mounting Screws (M6 x 5/8")
- (50) Cage Nuts (M6)
- (50) Nylon Cup Washers

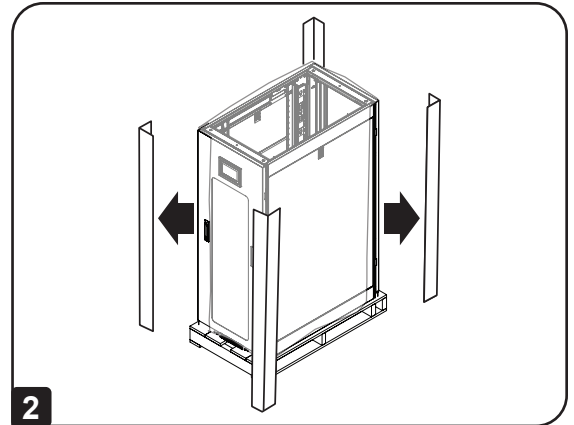
Unpacking

- 1** Confirm that the shipping container is upright and stable, then use a utility blade to cut the shrink-wrap securing the corner protectors. Apply the utility blade directly over the corner protectors to prevent the utility blade from scratching the enclosure or cutting the heavy protective plastic bag beneath the shrink-wrap. **WARNING: Do not scratch the enclosure or cut the heavy plastic bag beneath the shrink-wrap. Do not push or pull the enclosure while unpacking.**

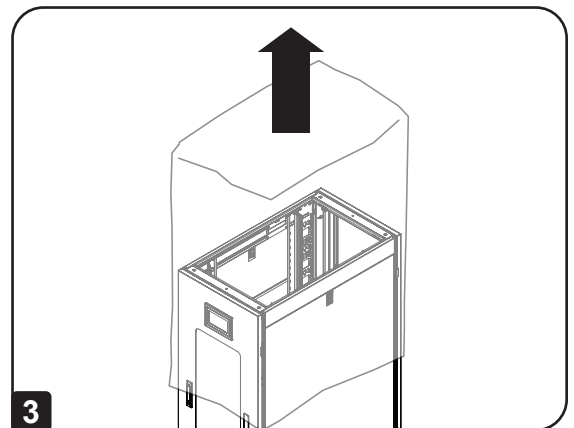


Enclosure Installation

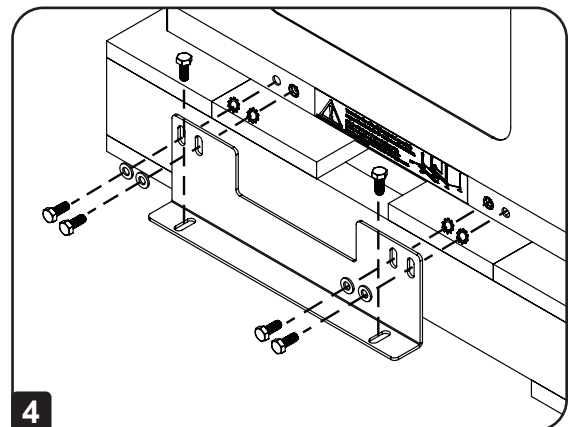
- 2** Remove the corner protectors. Save all packing materials (including the pallet) for later use unless you are certain they will not be required. The packing materials are recyclable.



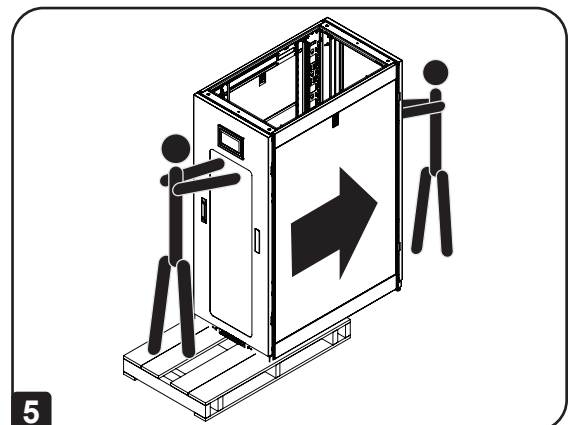
- 3** Remove the heavy plastic bag surrounding the enclosure. Examine the enclosure for any damage or loose parts. Confirm that all parts are present. If anything is missing or damaged, contact Tripp Lite for assistance. Do not attempt to use the enclosure if it has been damaged.



- 4** Locate the 2 shipping brackets **A** that attach the enclosure to the shipping pallet. Use a 13 mm open-end wrench to remove the shipping brackets. Be extremely careful, as the enclosure could shift unexpectedly after bracket removal. Save the brackets and bracket hardware for later use.



- 5** Position at least one person at the front of the enclosure and one person at the rear of the enclosure. Slowly push the enclosure toward the back of the shipping pallet until all four casters go over the edge of the pallet and touch the floor. **WARNING: Use at least one assistant when removing the enclosure from the pallet. Be extremely careful when moving the enclosure.**

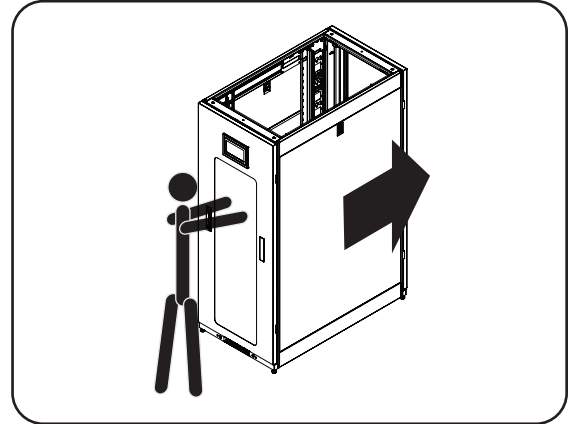


Enclosure Installation

Placement

Use the casters to move the enclosure for a short distance over a level, smooth, stable surface by pushing it from the front or rear (not the side panels). Do not attempt to roll the enclosure over long distances. The enclosure should be moved close to its installation location inside its shipping container before it is unpacked. (Use a forklift or pallet jack to move the shipping container.) **WARNING: Do not push or pull the enclosure at the side panels or pull the enclosure toward you.**

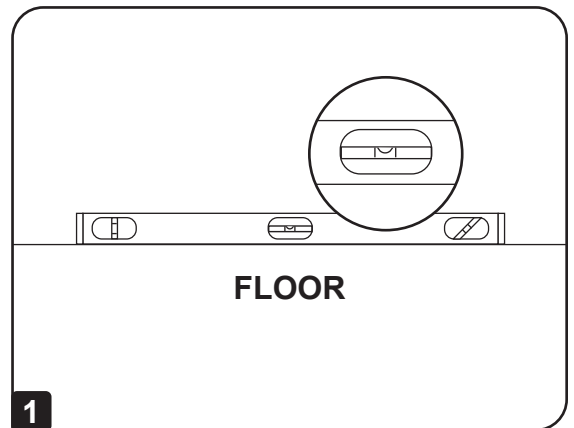
If required, the enclosure can be lifted by attaching 4 user-supplied M8 diameter eye bolts to the threaded holes near the upper corners of the enclosure frame. Use steel bolts with an ISO strength rating of 8.8 or higher. The 4 bolts can support the weight of the enclosure and up to 1000 lb. (450 kg) of installed equipment. **WARNING: Only experienced equipment operators should attempt to lift the enclosure. Use appropriate equipment and follow all applicable safety procedures and regulations.**



Leveling

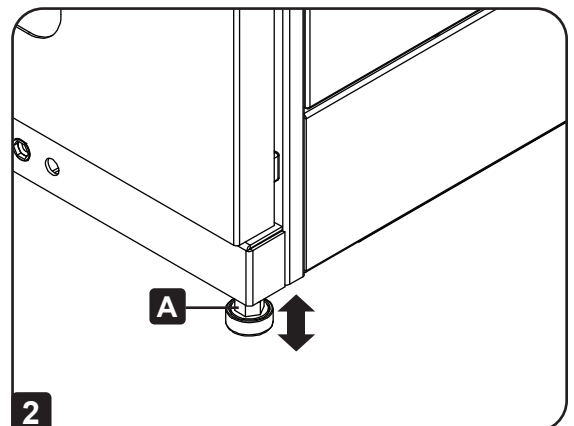
WARNING: Level the enclosure before attempting to install equipment. The casters are not designed to provide long-term support for the enclosure. Use the levelers to provide long-term support. Install the enclosure in a structurally sound area with a level floor that is able to bear the weight of the enclosure, all equipment that will be installed in the enclosure and any other enclosures and/or equipment that will be installed nearby.

- 1 After the enclosure has been moved to the installation location, use a carpenter's level to check the slope of the floor. If the floor slopes more than 1%, choose an alternate installation site.



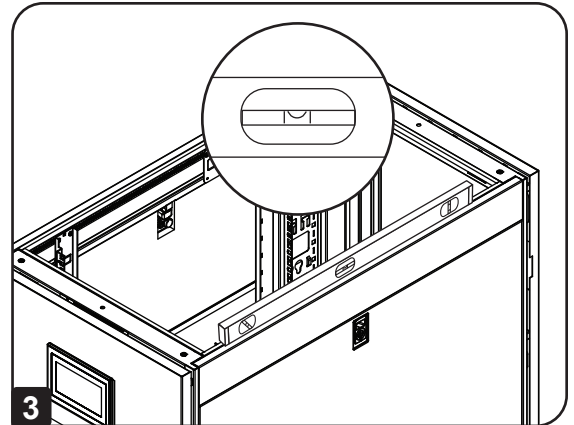
- 2 Use an 18 mm open-end wrench to lower each leveler **A** until it reaches the floor. (There are 4 levelers, 2 at the front and 2 at the rear.) Make sure each leveler contacts the floor solidly.

Note: Lower a leveler by turning it clockwise; raise a leveler by turning it counter-clockwise.

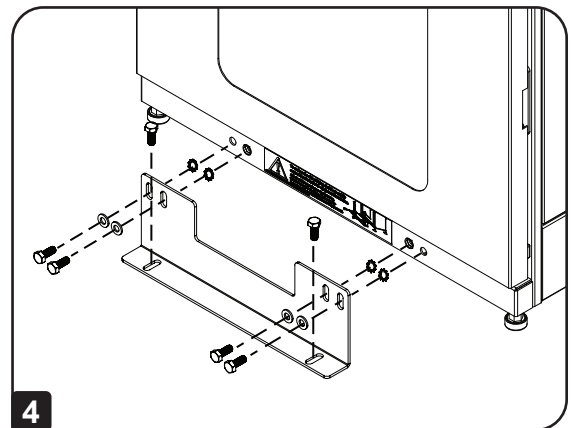


Enclosure Installation

- 3** After lowering each leveler, use the carpenter's level to confirm that the enclosure is level in all directions. Adjust the levelers as required until the enclosure is level.

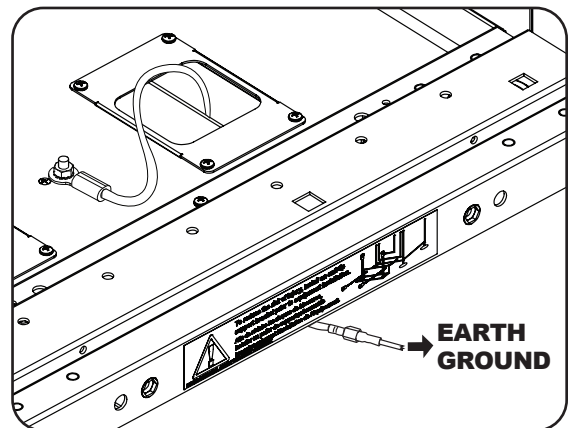


- 4** In order to secure the cabinet to the building structure for stability, attach the 2 shipping brackets using the hardware that attached the enclosure to the shipping pallet. Use a 13 mm open-end wrench to connect the brackets to the front and rear bracket mounting points of the enclosure. Attach the brackets to secure mounting points in the floor using user-supplied hardware or Tripp Lite's SmartRack Bolt-Down Kit (Model: SRBOLTDOWN).



Ground Connection

All the parts of the enclosure are grounded to the frame of the enclosure. Use the enclosure's bottom panel with marked M6 grounding stud and user-supplied ground wire to connect directly to your facility's earth ground connection. Route the ground wire through the brushes in the panel under the enclosure's frame to ensure unhindered door operation **A**. **WARNING: Attach each enclosure to earth ground separately. Do not use the enclosure without an earth ground connection.**



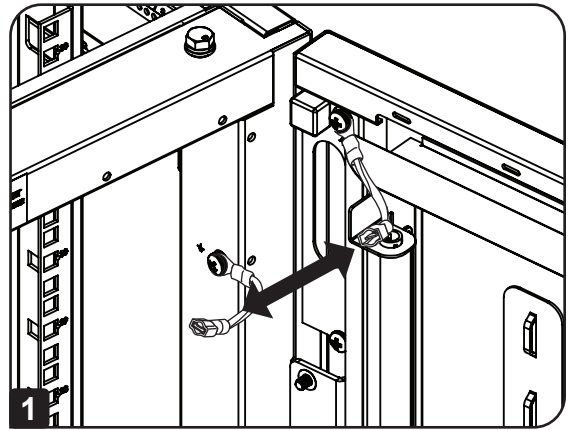
Enclosure Configuration

Adding or Removing Front and Rear Doors

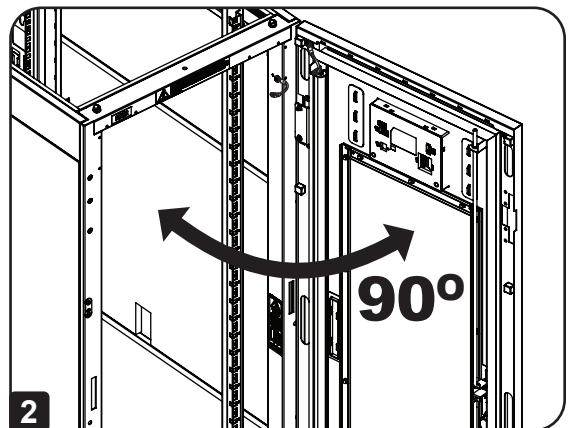
WARNING: Do not attempt to add or remove doors without assistance.

Removing Door

1 Disconnect the door's ground wire.



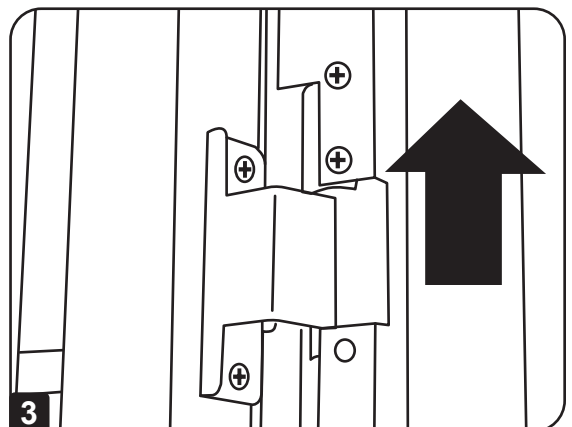
2 Open the door until it is perpendicular (90 degrees) to the front of the enclosure.



3 Lift the door from the hinges and remove it from the enclosure.

To Reinstall Door, Reverse Steps 1-3

(Optional) If the enclosure is joined to another enclosure, turn the door back toward the enclosure as you lift it from the hinges.



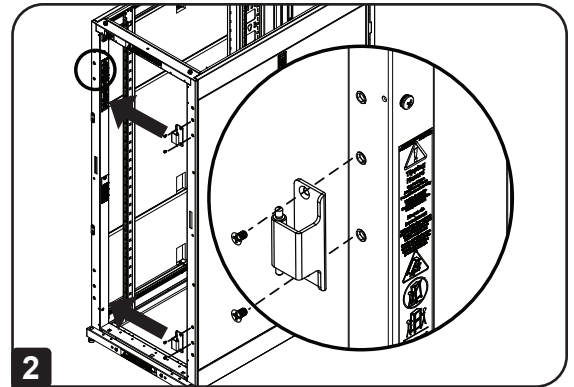
Enclosure Configuration

Reversing Front Door

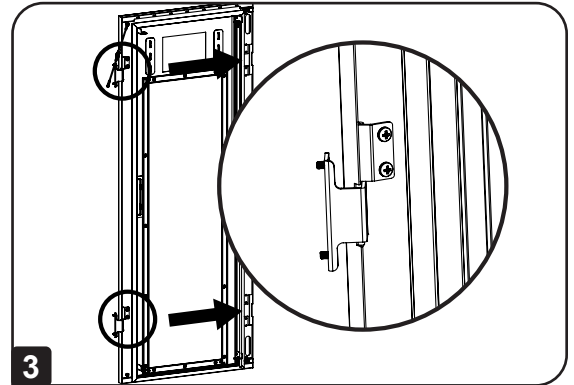
WARNING: Do not attempt to reverse front door without assistance.

- 1 Remove the door by following the steps in the previous section.
- 2 Remove the door hinges from the enclosure and attach them on the opposite side of the enclosure.

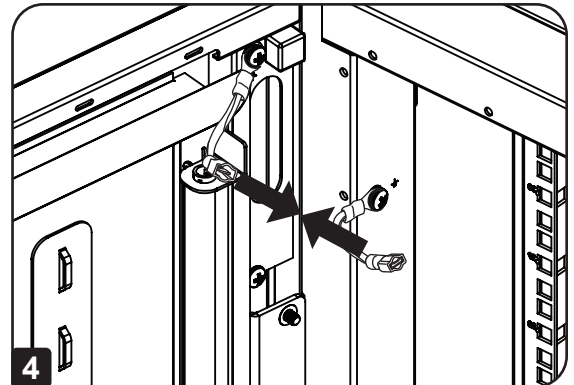
Note: The alternate door hinge attachment points have plastic plugs in the screw holes. Remove the plugs and insert them in the original door hinge attachment points.



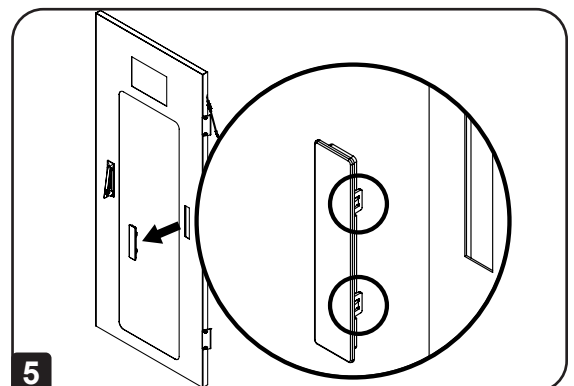
- 3 Unscrew the 2 hinge mechanisms from the hinge openings inside the door, then reattach each of them using the set of screw holes immediately opposite their original position.



- 4 Remember to connect the ground wire to the inside of the door, using the attachment point nearest the hinge at the top of the door. The attachment point is marked with the ground connection symbol: ⊕. Lift the door from the hinges and remove it from the enclosure.

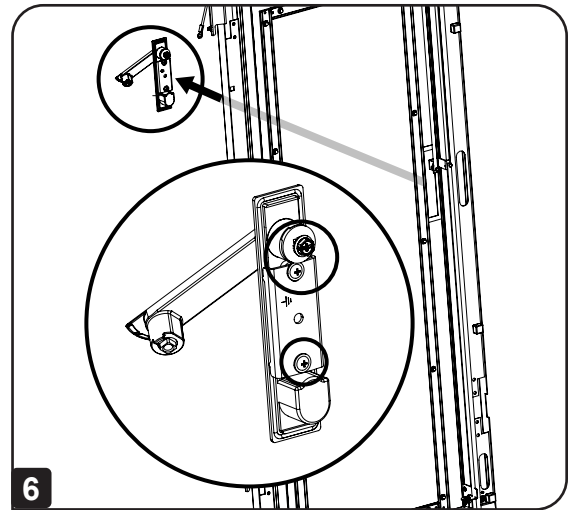


- 5 Remove door handle cover plate by carefully popping tabs with a flat screwdriver.

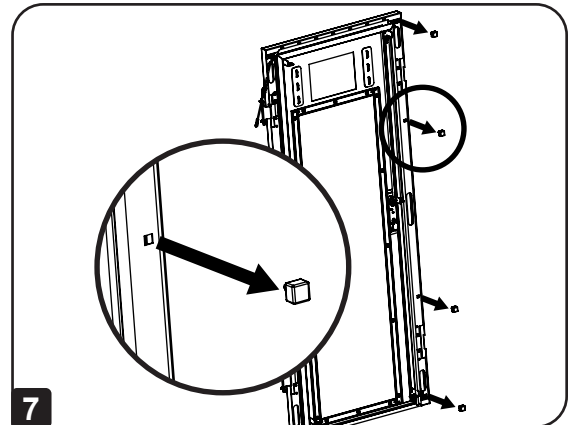


Enclosure Configuration

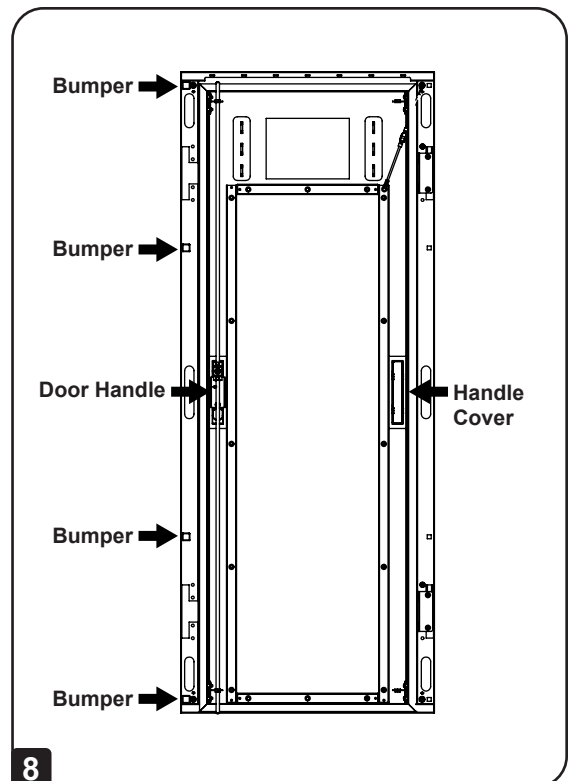
- 6** Remove door handle using a phillips screwdriver to remove the three screws holding the handle in place.



- 7** Remove door bumpers.



- 8** Re-install Item's 5-7 on the opposite side of the door (**LEFT vs. RIGHT**).

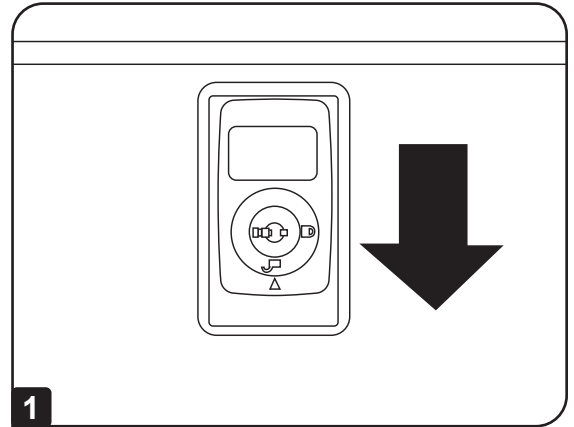


Enclosure Configuration

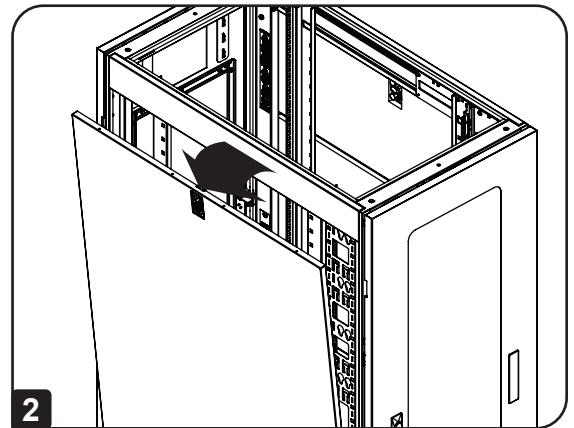
Adding or Removing Side Panels

Removing Side Panel

1 Open the latch by sliding it downward.



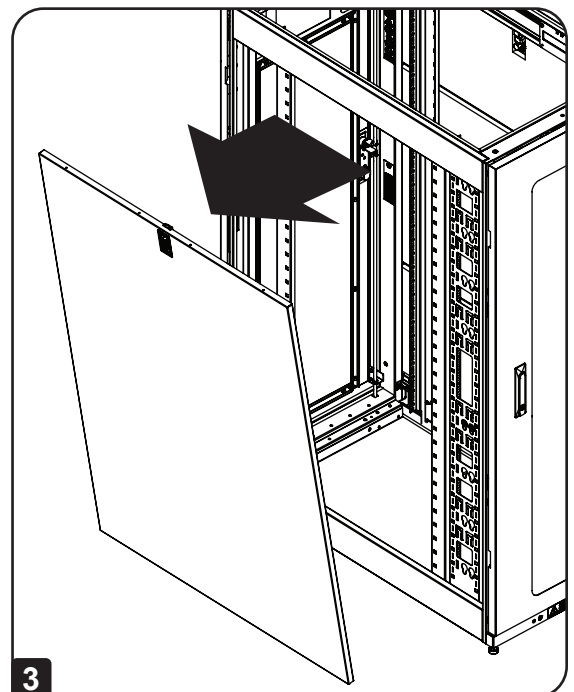
2 Tilt the top of the panel away from the enclosure.



3 Lift the panel away from the brace that supports it.

4 Disconnect the panel ground wire, if present.

To Reinstall Side Panel, Reverse Steps 1-4



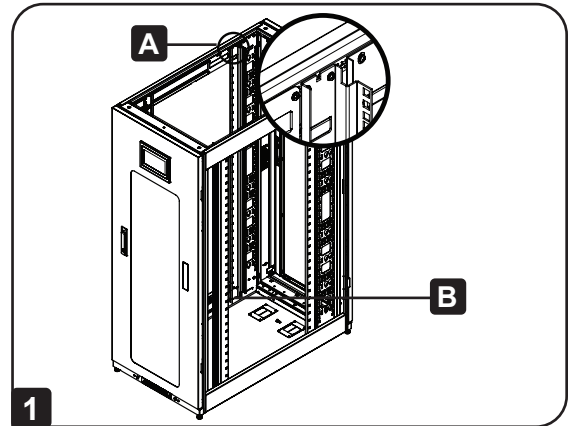
Enclosure Configuration

Adjusting Mounting Rails and Cable Management Rails

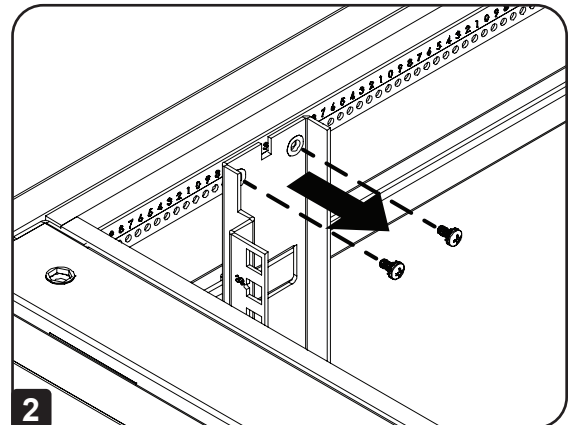
WARNING: Do not attempt to adjust rails without assistance. Do not attempt to adjust rails while equipment is installed in the enclosure. Do not attempt to use rails without screws installed (6 per rail).

The 4 mounting rails are pre-installed to accommodate equipment with a mounting depth of 30 inches (762 mm). Do not adjust the mounting rails unless your equipment requires a different mounting depth. The front and rear sets of rails can be adjusted independently in ¼-inch (6 mm) increments for mounting depths between 4 inches (101.6 mm) and 42 inches (1066.8 mm).

- 1 Each rail is connected to the enclosure with 4 screws - 1 pair at the upper beam **A**, and 1 pair at the lower beam **B**.

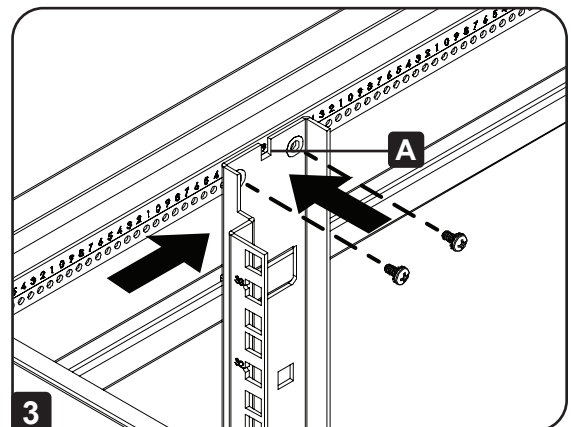


- 2 Remove the screws fastening each of the rear mounting rails to the enclosure. (If adjustment of the front rails is required, you can also remove the screws from the front rails.)



- 3 Slide the mounting rails to the desired depth and reattach them using the screws you removed in Step 2. The rail attachment points are numbered **A** to help you align each pair of rails at the same depth.

The depth of the 2 cable management rails can be adjusted using the same method.

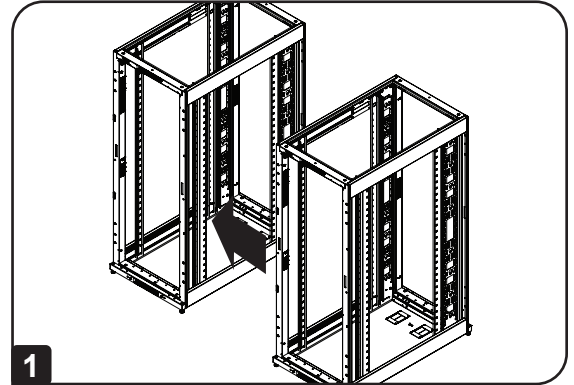


Enclosure Configuration

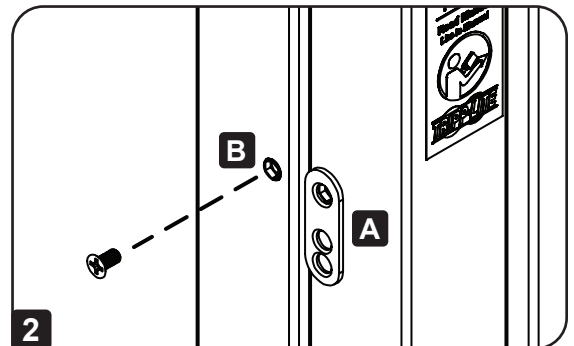
Combining (Baying) Enclosures

WARNING: Combining enclosures is not a substitute for stabilizing the enclosures. Each enclosure in a bay of combined enclosures requires the same stabilizing measures as a standalone enclosure.

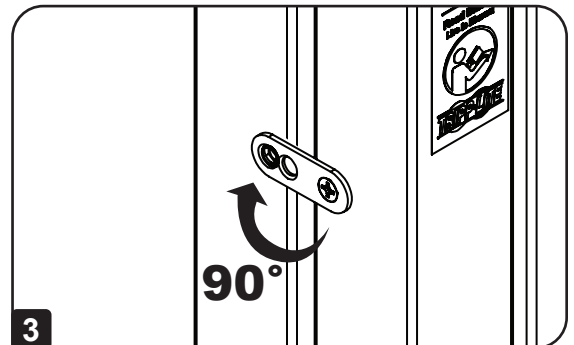
1 Arrange the enclosures in the correct position for baying.



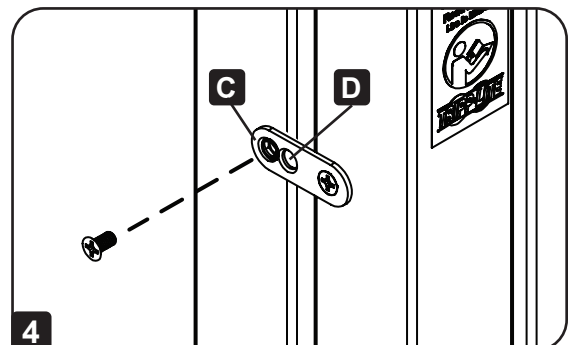
2 Each enclosure includes 4 baying brackets **A** that correspond to baying connection points **B** on the adjoining enclosure. The baying connection points already contain screws. Remove the screw from each baying connection point in the adjoining enclosure.



3 Loosen the screw in each baying bracket and turn each bracket 90 degrees toward the adjoining enclosure, aligning each bracket with the corresponding baying connection point on the adjoining enclosure.



4 Connect each bracket to the adjoining enclosure using the screws you removed in step 2, but do not tighten the screws completely. Adjust the position of the enclosures as needed. If you want the centers of the enclosures to be 24 inches/61 cm apart (29.9 in./76 cm for the SR42UBWD), use the outside hole of the bracket **C**. If you want the centers to be 23.6 inches/60 cm apart (29.5 in./75 cm for the SR42UBWD), use the middle hole of the bracket **D**. After connecting all brackets and confirming that the enclosures do not need further adjustment, tighten all screws.

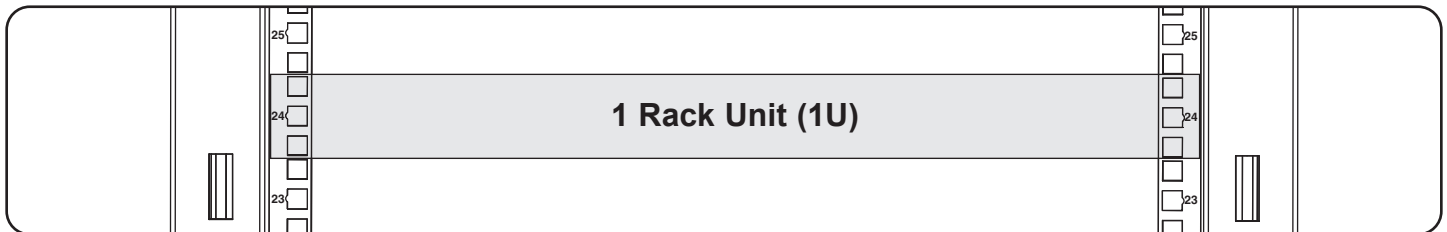


Note: You may wish to remove the doors from the enclosures before combining them. Reinstalling the doors afterward is optional. Remove the interior side panels before baying enclosures if you wish to enable access between enclosures.

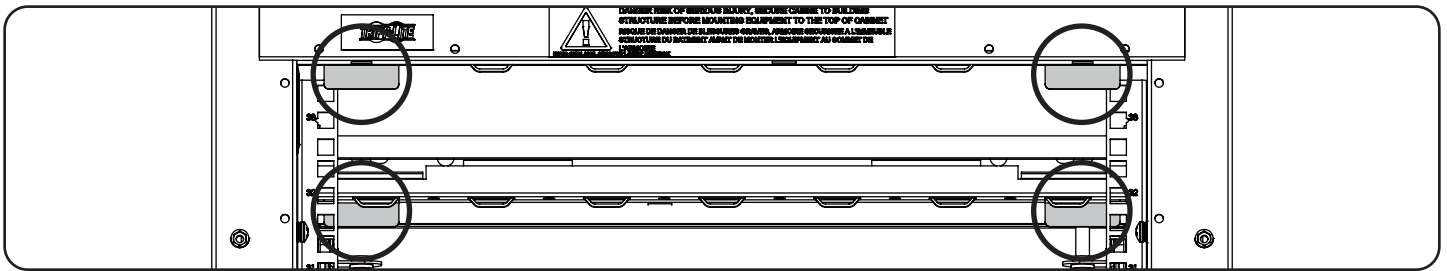
Equipment Installation

WARNING: Do not install equipment until you have stabilized the enclosure. Install heavier equipment first and install it toward the bottom of the enclosure. Install equipment starting from the bottom of the enclosure and proceeding toward the top of the enclosure - never the reverse. If using sliding equipment rails, be careful when extending the rails. Do not extend more than one set of sliding equipment rails at one time. Avoid extending sliding equipment rails near the top of the enclosure.

Note: The square holes at the middle of each rack unit are numbered and also include a small notch to aid identification. A single rack unit includes the space occupied by the numbered hole and the holes directly above and below.



Note: Before installing equipment, remove the brackets as shown in the image below.



Installing or Removing Cage Nuts

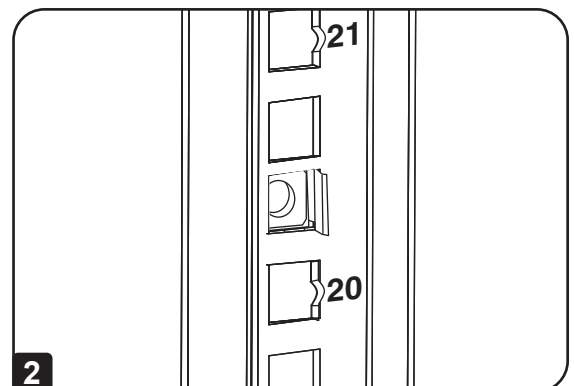
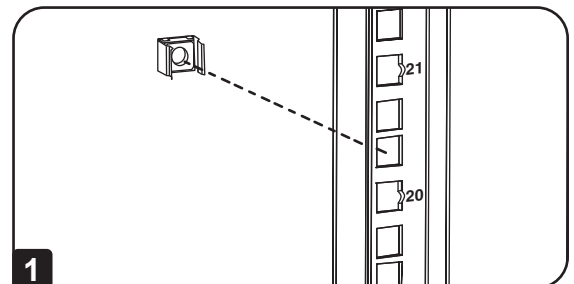
WARNING: The flanges of the cage nuts should engage the sides of the square opening in the rail, not the top and bottom. Follow the instructions in your equipment documentation to ensure proper installation of your equipment.

Installing Cage Nuts

- 1 Locate the numbered square openings in the mounting rails where you plan to install your equipment. You will install cage nuts (included) into the square openings in order to provide an attachment point for the mounting screws (included).

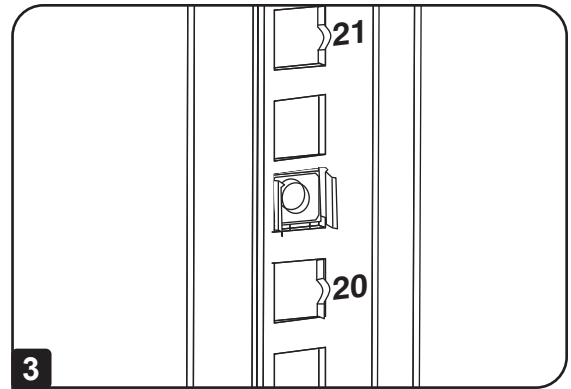
Note: Consult your equipment documentation to determine how many cage nuts will be required and where they will need to be installed.

- 2 From the inside of the mounting rail, insert one of the flanges of the cage nut through the square opening. Press it against the side of the square opening. Each flange should engage one side of the square opening, not the top or bottom.



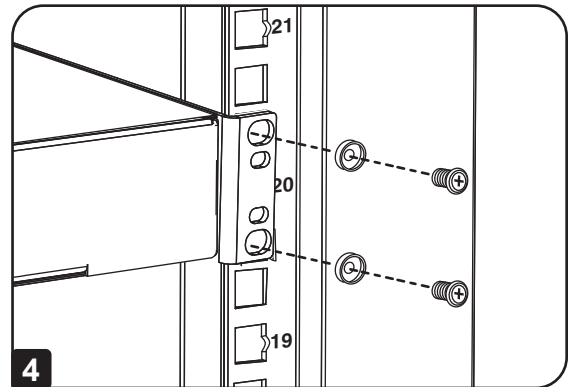
Equipment Installation

3 Compress the cage nut at the sides slightly to allow the remaining flange to fit through the square opening. When the cage nut is properly installed, both flanges will protrude through the square opening and will be visible on the outer surface of the mounting rail. Repeat steps 1-3 until all required cage nuts are installed.



4 After installing the required cage nuts, use the included mounting screws and cup washers to secure your equipment to the rack rail. Place the cup washers between the screws and the equipment mounting brackets.

Note: Your equipment may also include mounting hardware. Read the mounting instructions that came with your equipment before installing your equipment.



To Remove Cage Nuts, Reverse Steps 1-3

Note: You may wish to use a cage nut tool (user-supplied) to aid cage nut installation and removal.

Specifications

Model	Load Capacity*		Unit Dimensions				Shipping Dimensions			
	Static	Rolling	Height	Width	Depth	Weight	Height	Width	Depth	Weight
SR25UBAC	3000 lb. (1363 kg)	2250 lb. (1022 kg)	49 in. (1243 mm)	23.63 in. (600 mm)	43 in. (1092 mm)	195 lb. (88.5 kg)	53.5 in. (1359 mm)	24 in. (610 mm)	43 in. (1092 mm)	237 lb. (107.5 kg)
SR33UBAC	3000 lb. (1363 kg)	2250 lb. (1022 kg)	63 in. (1600 mm)	23.63 in. (600 mm)	43 in. (1092 mm)	260 lb. (118 kg)	67.5 in. (1715 mm)	24 in. (610 mm)	43 in. (1092 mm)	302 lb. (137 kg)

Storage and Service

Storage

The enclosure should be stored in a controlled indoor environment, away from moisture, temperature extremes, flammable liquids and gasses, conductive contaminants, dust and direct sunlight. Store the enclosure in its original shipping container if possible.

Service

Your Tripp Lite product is covered by the warranty described in this manual. A variety of Extended Warranty and On-Site Service Programs are also available from Tripp Lite. For more information on service, visit tripplite.com/support. Before returning your product for service, follow these steps:

1. Review the installation and operation procedures in this manual to insure that the service problem does not originate from a misreading of the instructions.
2. If the problem continues, do not contact or return the product to the dealer. Instead, visit tripplite.com/support.
3. If the problem requires service, visit tripplite.com/support and click the Product Returns link. From here you can request a Returned Material Authorization (RMA) number, which is required for service. This simple on-line form will ask for your unit's model and serial numbers, along with other general purchaser information. The RMA number, along with shipping instructions will be emailed to you. Any damages (direct, indirect, special or consequential) to the product incurred during shipment to Tripp Lite or an authorized Tripp Lite service center is not covered under warranty. Products shipped to Tripp Lite or an authorized Tripp Lite service center must have transportation charges prepaid. Mark the RMA number on the outside of the package. If the product is within its warranty period, enclose a copy of your sales receipt. Return the product for service using an insured carrier to the address given to you when you request the RMA.

Warranty and Product Registration

5-Year Limited Warranty

Seller warrants this product, if used in accordance with all applicable instructions, to be free from original defects in material and workmanship for a period of 5 years from the date of initial purchase. If the product should prove defective in material or workmanship within that period, Seller will repair or replace the product, in its sole discretion.

THIS WARRANTY DOES NOT APPLY TO NORMAL WEAR OR TO DAMAGE RESULTING FROM ACCIDENT, MISUSE, ABUSE OR NEGLIGENCE. SELLER MAKES NO EXPRESS WARRANTIES OTHER THAN THE WARRANTY EXPRESSLY SET FORTH HEREIN. EXCEPT TO THE EXTENT PROHIBITED BY APPLICABLE LAW, ALL IMPLIED WARRANTIES, INCLUDING ALL WARRANTIES OF MERCHANTABILITY OR FITNESS, ARE LIMITED IN DURATION TO THE WARRANTY PERIOD SET FORTH ABOVE; AND THIS WARRANTY EXPRESSLY EXCLUDES ALL INCIDENTAL AND CONSEQUENTIAL DAMAGES. (Some states do not allow limitations on how long an implied warranty lasts, and some states do not allow the exclusion or limitation of incidental or consequential damages, so the above limitations or exclusions may not apply to you. This warranty gives you specific legal rights, and you may have other rights which vary from jurisdiction to jurisdiction).

WARNING: The individual user should take care to determine prior to use whether this device is suitable, adequate or safe for the use intended. Since individual applications are subject to great variation, the manufacturer makes no representation or warranty as to the suitability or fitness of these devices for any specific application.


Product Registration

Visit triplite.com/warranty today to register your new Tripp Lite product. You'll be automatically entered into a drawing for a chance to win a FREE Tripp Lite product!*

* No purchase necessary. Void where prohibited. Some restrictions apply. See Web site for details.

Tripp Lite follows a policy of continuous improvement. Product specifications are subject to change without notice. Photos and illustrations may differ slightly from actual products.

Note on Labeling

This symbol is used on the product:  Ground Connection



1111 W. 35th Street, Chicago, IL 60609 USA • triplite.com/support

Manual del Propietario

Gabinetes SmartRack® para Unidades de Aire Acondicionado Instaladas en la Parte Superior del Rack SRCOOL3KTP

Modelos: SR25UBAC, SR33UBAC

(Números de Serie: AGAC7006, AG-0676)

Instrucciones de Seguridad Importantes	20	Configuración del Gabinete	27
Descripción General	21	Colocación o Retiro de las Puertas Delanteras y Puertas Posteriores	27
Identificación de Características	22	Inversión de la Puerta Delantera	28
Instalación del Gabinete	23	Colocación o Retiro de los Paneles Laterales	30
Preparación	23	Ajuste de Rieles de Instalación y Manejo del Cableado	31
Desempacado	23	Combinación de Gabinetes (Instalación en Hileras)	32
Colocación	25	Instalación del Equipo	33
Nivelación	25	Instalación o Retiro de las Tuercas de Fijación	33
Conexión a Tierra	26	Especificaciones	34
		Almacenamiento y Servicio	35
		Garantía	36

English 1 • Français 37 • Русский 55



1111 W. 35th Street, Chicago, IL 60609, EE. UU. • triplite.com/support

Copyright © 2022 Tripp Lite. Todos los derechos reservados.

Instrucciones de Seguridad Importantes



CONSERVE ESTAS INSTRUCCIONES

Todas las secciones de este manual contienen instrucciones y advertencias que deben observarse durante la instalación y uso de los Gabinetes SmartRack aquí descritos. Lea cuidadosamente todas las instrucciones y advertencias antes de intentar mover, instalar o utilizar los Gabinetes SmartRack descritos en este manual. El incumplimiento creará un riesgo de lesiones personales y daños a la propiedad y puede invalidar la garantía.

- Mantenga el gabinete en un entorno interior controlado lejos de humedad excesiva, temperaturas extremas, líquidos y gases inflamables, contaminantes conductores, polvo o luz solar directa.
- Deje espacio suficiente en la parte delantera y trasera del gabinete para una ventilación adecuada. No bloquee, cubra ni coloque objetos en las aberturas externas de ventilación del gabinete.
- El gabinete es extremadamente pesado. Tenga cuidado al manipular el gabinete. No intente desempacarlo, moverlo o instalarlo sin ayuda. Utilice un dispositivo mecánico como un montacargas o gato para tarimas para mover el gabinete en el contenedor de embarque.
- Inspeccione el contenedor de embarque y el gabinete para detectar daños durante el transporte. No use el gabinete si está dañado.
- Deje el gabinete en el contenedor de embarque hasta que haya sido movido tan cerca de su ubicación final como sea posible. Las ruedas están diseñadas para ajustes de posición mínimos dentro del área de instalación final. Las ruedas no están diseñadas para desplazar el gabinete a largas distancias.
- Las ruedas no están diseñadas para proporcionar soporte a largo plazo al gabinete después de la instalación final. Use los niveladores para proporcionar soporte a largo plazo.
- Instale el gabinete en un área estructuralmente firme con un piso nivelado que pueda soportar la carga del peso del gabinete, de todo el equipo que se instale en el gabinete y otros gabinetes y otros equipos que se instalen cerca.
- Instale firmemente el gabinete a la estructura del edificio, usando los soportes de embarque como se ilustra en la sección de **Instalación del Gabinete** de este manual.
- No empuje el gabinete de sus paneles laterales para moverlo. Empujarlo de sus paneles laterales creará un peligro de vuelco.
- Cuando ruede el gabinete sobre sus ruedas, siempre empuje desde atrás, nunca lo jale hacia usted.
- Un gabinete rodando puede ocasionar lesiones personales y daños a la propiedad si no es supervisado correctamente. Tenga mucho cuidado si necesita trasladar hacia abajo el gabinete por una rampa. No intente usar rampas que tengan una pendiente superior a 1:12.
- Tenga cuidado cuando corte el material de empaque. El gabinete podría haber sido rasguñado o rayado, causando daños no cubiertos por la garantía.
- Guarde todo el material de empaque para uso posterior. Volver a empacar y enviar el gabinete sin el material de empaque original puede ocasionar daños al producto que anularían la garantía.
- No reembarque el gabinete con equipo adicional a menos que el gabinete haya sido embarcado con una tarima especial anti-impacto (solo modelos "SP1"). El peso combinado del gabinete y el equipo instalado no debe exceder la capacidad de carga de la tarima. Tripp Lite no es responsable por cualquier daño que se produzca durante el reenvío.
- No se recomienda el uso de este equipo en aplicaciones de soporte vital donde es razonable esperar que la falla de este equipo provoque la falla del equipo de soporte vital o afecte significativamente su seguridad o eficiencia.
- PELIGRO: RIESGO DE ESTABILIDAD, LOS RACKS DEBEN SER INSTALADOS ÚNICAMENTE POR PERSONAL DE SERVICIO CALIFICADO.
- PELIGRO: RIESGO DE LESIONES GRAVES, ASEGURE EL GABINETE A LA ESTRUCTURA DEL EDIFICIO ANTES DE INSTALAR EL EQUIPO EN LA PARTE SUPERIOR DEL GABINETE.

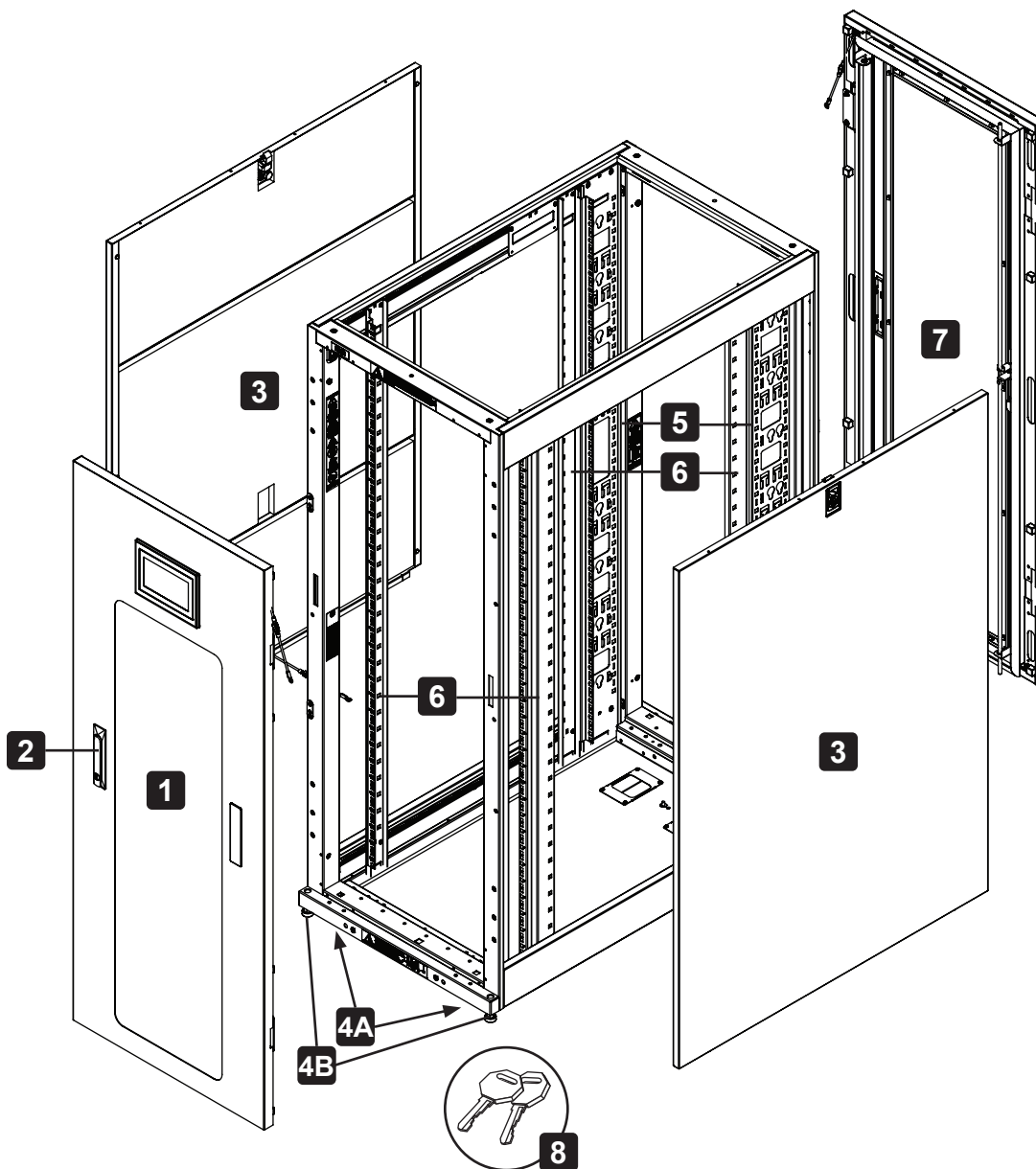
Descripción General

Los Gabinetes SmartRack acomodan todos los equipos para instalación en rack estándar de 19", sin importar el proveedor y se embarcan completamente ensamblados para una instalación rápida y fácil.

Los gabinetes SR25UBAC y SR33UBAC están diseñados especialmente para uso con la unidad autónoma de aire acondicionado instalada en la parte superior del Rack SRCOOL3KTP.

Los gabinetes SR25UBAC y SR33UBAC tienen profundidades de instalación variables, ideales para servidores. El hardware integrado para anclar y unir los gabinetes en hileras permite la expansión ordenada, eficiente y rentable. Ambos gabinetes incluyen puertas delantera y trasera selladas con ventanas de plexiglás y paneles laterales aislados para una mayor eficiencia energética y refrigeración, así como un mantenimiento conveniente y un mejor acceso. Para mayor seguridad, las puertas delantera y trasera usan cerraduras con pestillo de múltiples puntos.

Identificación de Características



Se muestra el modelo SR33UBAC.

- 1** Puerta delantera sellada con ventana de plexiglás
- 2** Cerraduras de puerta con pestillo de múltiples puntos
- 3** Paneles laterales aislados con cerradura
- 4** Ruedas **A** y Niveladores **B**
- 5** Rieles para el manejo del cableado
- 6** Rieles de instalación (Proporcionan puntos de instalación horizontal y vertical para los equipos)
- 7** Puerta posterior sellada con ventana de plexiglás
- 8** Llaves

Instalación del Gabinete



¡Precaución! ¡Lea todas las Instrucciones y Advertencias Antes de Realizar la Instalación!



ADVERTENCIA: El gabinete es extremadamente pesado. No intente desempacar, mover o instalar el gabinete sin asistencia. Hasta que haya sido correctamente instalado y estabilizado, el gabinete es propenso a vuelcos y podría causar daños a la propiedad y/o lesiones personales. Tenga mucho cuidado al manipular el gabinete y asegúrese de seguir todas las instrucciones de manejo e instalación. No intente instalar equipo sin estabilizar primero el gabinete.

Preparación

El gabinete debe instalarse en un área estructuralmente firme con un piso nivelado, que pueda soportar la carga del peso del gabinete, de todo el equipo que se instale en el gabinete y otros gabinetes u otros equipos que se instalen cerca. Antes de desempacar el gabinete, debe mover el contenedor de embarque tan cerca como sea posible a la posición de instalación final para minimizar la distancia de desplazamiento de la unidad después de haber retirado el empaque protector. Si va a almacenar el gabinete durante un largo período antes de la instalación, siga las instrucciones en la sección de **Almacenamiento y Servicio**.

Se necesitan varias herramientas (suministrados por el usuario):

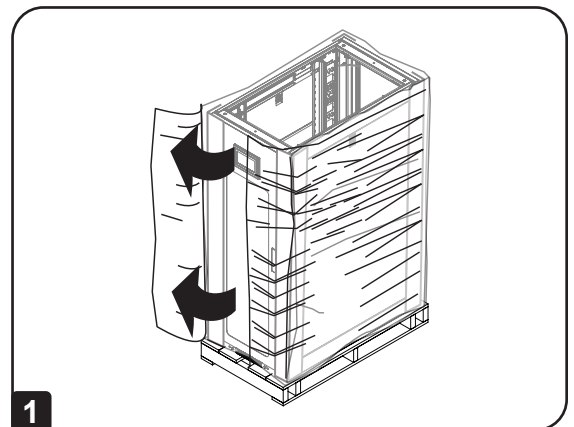
- Llave de 13 mm
- Llave de 18 mm
- Cuchilla
- Nivel de burbuja
- Destornillador Phillips
- Destornillador Plano
- Llave Allen de 5/32"

Además, necesita los siguientes accesorios (incluidos):

- (50) Tornillos Phillips para Instalación (M6 x 5/8")
- (50) Tuercas de Fijación (M6)
- (50) Arandelas de Copa de Nylon

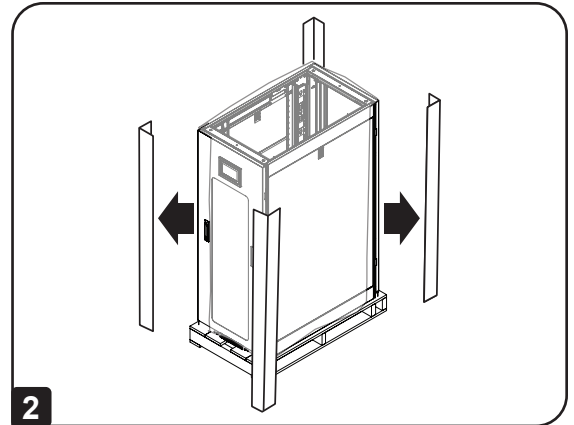
Desempacado

- 1 Confirme que el contenedor de embarque esté vertical y estable, a continuación, utilice una cuchilla para cortar la envoltura retráctil asegurando los protectores de esquina. Coloque la cuchilla directamente sobre uno de los protectores de esquina para evitar que esta raye el gabinete o corte la pesada bolsa de plástico protectora debajo de la envoltura retráctil. **ADVERTENCIA: No raye el gabinete ni corte la pesada bolsa de plástico debajo de la envoltura retráctil. No empuje ni jale el gabinete durante el desembalaje.**

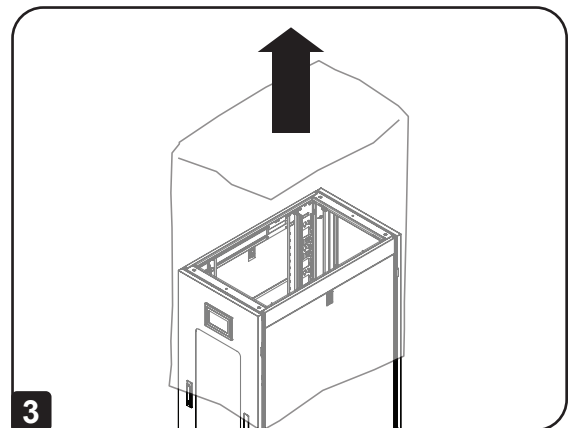


Instalación del Gabinete

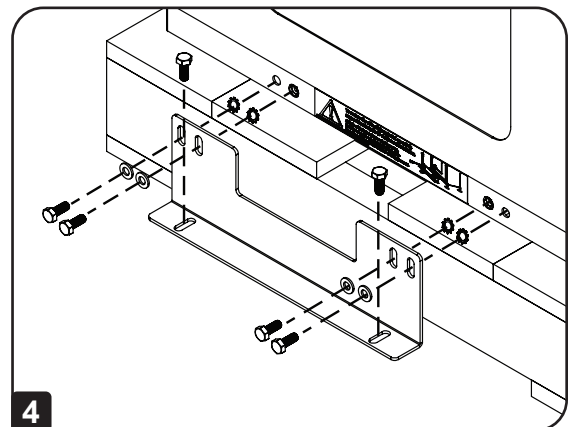
- 2** Retire los protectores de esquina. Guarde todos los materiales de empaque (incluida la tarima) para uso posterior a menos que esté seguro de que no los necesitará. Los materiales de empaque son reciclables.



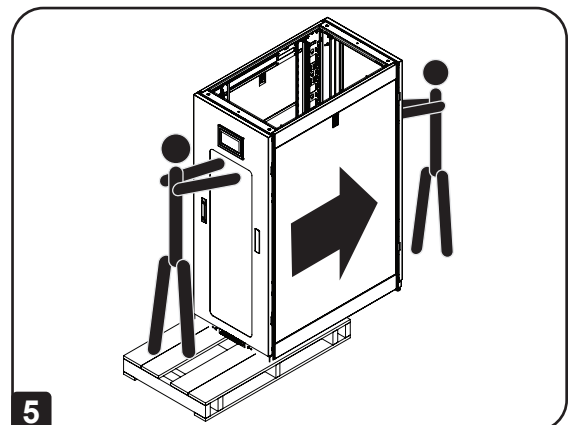
- 3** Retire la bolsa de plástico pesado que envuelve al gabinete. Examine el gabinete para detectar cualquier daño o partes sueltas. Confirme que están todas las partes. Si falta algo o está dañado, póngase en contacto con Tripp Lite para obtener ayuda. No intente usar el gabinete si está dañado.



- 4** Ubique los 2 soportes de embarque **A** que aseguran el gabinete a la tarima de embarque. Use una llave española de 13 mm para retirar los soportes de embarque. Sea extremadamente cuidadoso, ya que el gabinete podría moverse inesperadamente después de retirar el soporte. Guarde los soportes y sus accesorios para uso posterior.



- 5** Coloque al menos una persona en la parte delantera y otra en la parte posterior del gabinete. Empuje lentamente el gabinete hacia la parte posterior de la tarima de embarque hasta que las cuatro ruedas rebasen el borde de la tarima y toquen el piso. **ADVERTENCIA: Use al menos un ayudante al retirar el gabinete de la tarima. Sea extremadamente cuidadoso al desplazar el gabinete.**

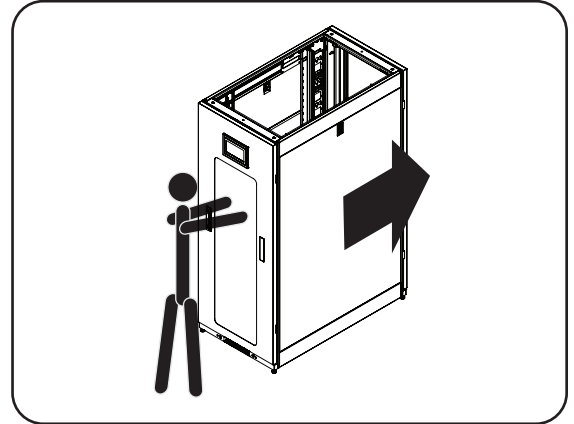


Instalación del Gabinete

Colocación

Utilice las ruedas para mover el gabinete hacia otra ubicación a poca distancia sobre una superficie nivelada, lisa y estable empujando desde la parte delantera o trasera (no desde los paneles laterales). No intente hacer rodar el gabinete a través de distancias largas. El gabinete debe ser trasladado cerca de su lugar de instalación dentro de su contenedor de embarque antes del desembalaje. (Utilice un montacargas o gato para tarimas para mover el contenedor de embarque). **ADVERTENCIA: No empuje ni jale el gabinete desde los paneles laterales ni jale el gabinete hacia usted.**

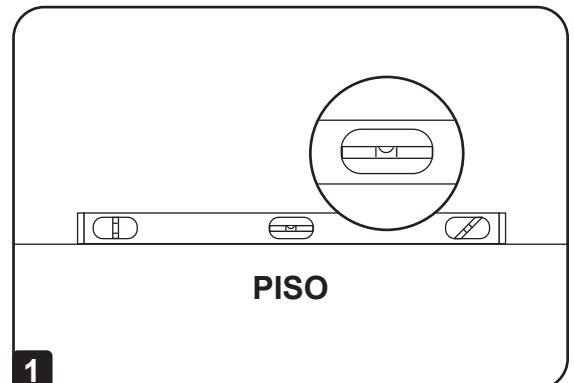
Si es necesario, el rack se puede levantar fijando 4 tornillos de ojo de diámetro M8 suministrados por el usuario en los orificios roscados colocados cerca de los ángulos superiores del marco. Use tornillos de acero con un grado de resistencia nominal ISO de 8.8 o mayor. Los 4 tornillos pueden soportar el peso del gabinete y hasta 454 kg [1000 lb] de equipos instalados. **ADVERTENCIA: Sólo operadores de equipos experimentados deben intentar levantar el rack. Use los equipos adecuados y siga todos los procedimientos y reglamentos de seguridad correspondientes.**



Nivelación

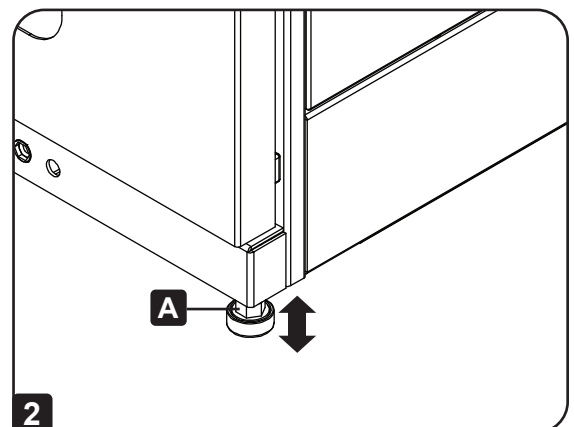
ADVERTENCIA: Nivele el gabinete antes de intentar instalar el equipo. Las ruedas no están diseñadas para proporcionar soporte a largo plazo al gabinete. Use los niveladores para proporcionar soporte a largo plazo. Instale el gabinete en un área estructuralmente firme con un piso nivelado que pueda soportar la carga del peso del gabinete, de todo el equipo que se instale en el gabinete y otros gabinetes y otros equipos que se instalen cerca.

- 1** Después de que el gabinete ha sido trasladado a la ubicación de instalación, utilice un nivel de burbuja para verificar la pendiente del piso. Si el piso tiene una pendiente mayor del 1%, elija otro lugar para la instalación.



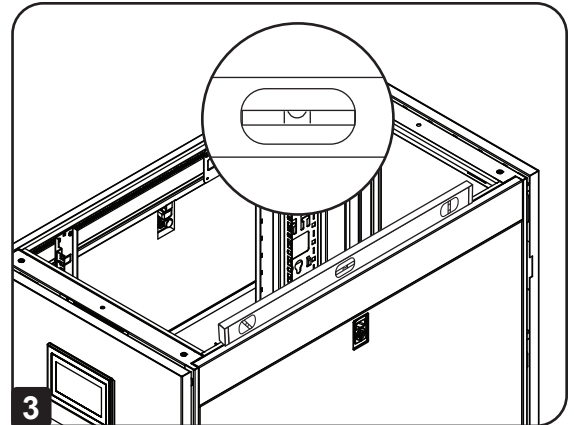
- 2** Use una llave española de 18 mm para bajar cada nivelador **A** hasta llegar al piso. (Hay 4 niveladores, 2 en el frente y 2 en la parte posterior). Asegúrese de que cada nivelador esté en contacto firmemente con el piso.

Nota: Baje un nivelador girándolo en sentido de las manecillas del reloj; eleve un nivelador girándolo en sentido opuesto a las manecillas del reloj.

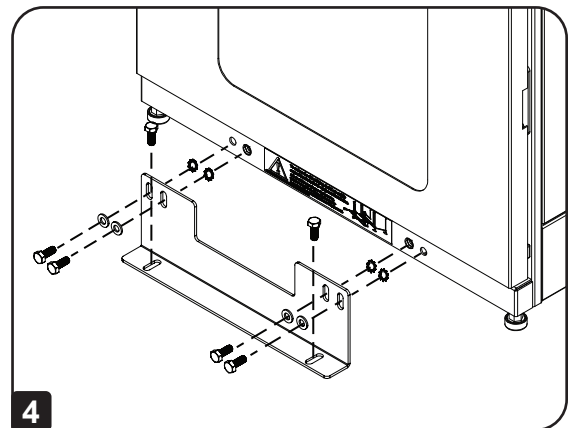


Instalación del Gabinete

- 3** Después de bajar cada nivelador, utilice el nivel de burbuja para confirmar que el gabinete está nivelado en todas las direcciones. Ajuste los niveladores según sea necesario hasta que el gabinete esté nivelado.

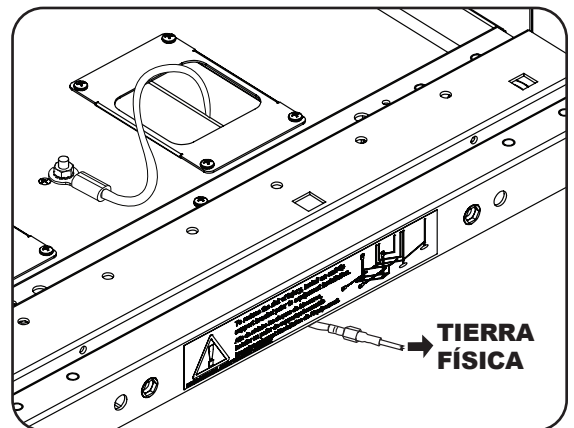


- 4** A fin de asegurar el gabinete a la estructura del edificio para tener estabilidad, fije los 2 soportes de embarque usando los accesorios que sujetan el gabinete a la tarima de embarque. Use una llave española de 13 mm para conectar los soportes a los puntos de instalación del soporte en el frente y la parte posterior del gabinete. Fije los puntos seguros de instalación de los soportes en el piso utilizando los accesorios suministrado por el usuario o el juego de tornillos de sujeción SmartRack de Tripp Lite (Modelo: SRBOLTDOWN).



Conexión a Tierra

Todas las partes del gabinete están conectadas a tierra por el marco del gabinete. Use el panel inferior del gabinete con perno de conexión a tierra marcado M6 y el cable de tierra suministrado por el usuario para conectar directamente a la conexión a tierra física de su instalación. Conduzca el cable de tierra a través de los cepillos en el panel bajo el marco del gabinete para asegurar la operación sin obstáculos de la puerta **A**. **ADVERTENCIA: Conecte a tierra cada gabinete por separado. No use el gabinete sin una conexión a tierra física.**



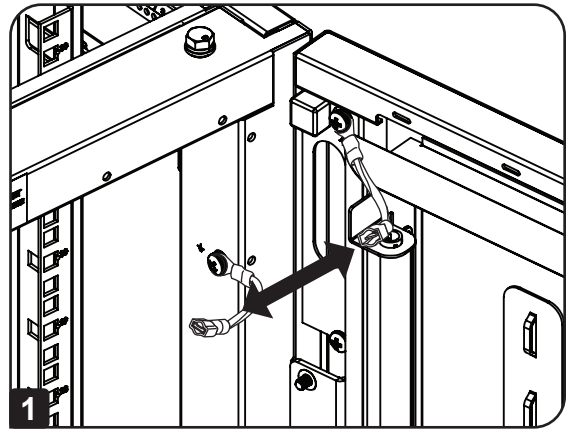
Configuración del Gabinete

Colocación o Retiro de las Puertas Delanteras y Traseras

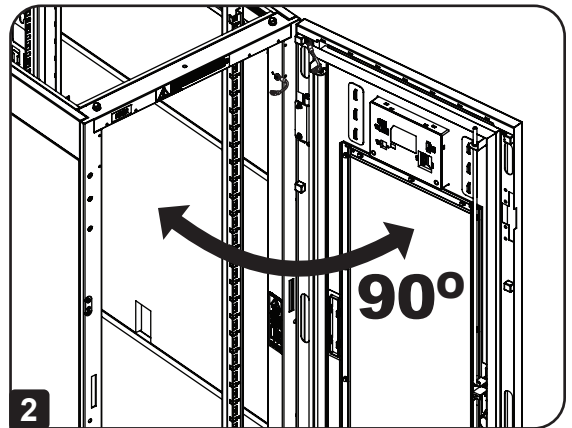
ADVERTENCIA: No intente colocar o remover las puertas sin ayuda.

Remoción de la Puerta

1 Desconecte el cable de conexión a tierra de la puerta.



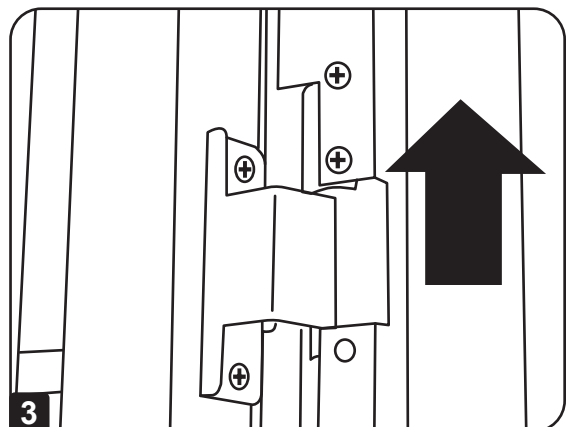
2 Abra la puerta hasta que esté perpendicular (90 grados) con el frente del gabinete.



3 Levante la puerta de las bisagras y retírela del gabinete.

Para Reinstalar la Puerta, Invierta los Pasos 1 a 3.

(Opcional) Si el rack está unido a otro, gire la puerta hacia el gabinete mientras la levanta de las bisagras.

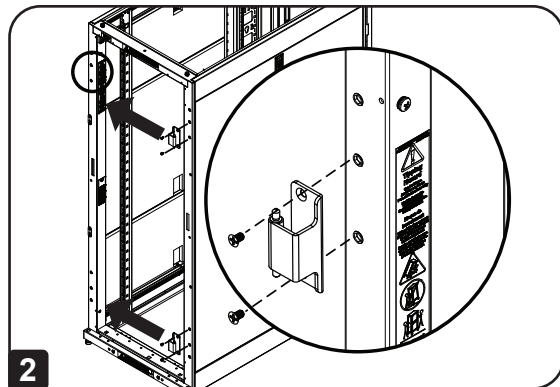


Configuración del Gabinete

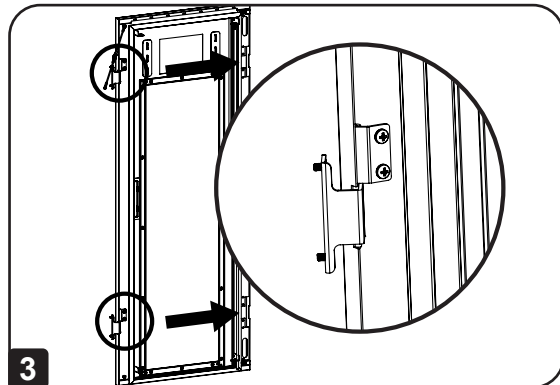
Inversión de la Puerta Delantera

ADVERTENCIA: No intente invertir la puerta delantera sin ayuda.

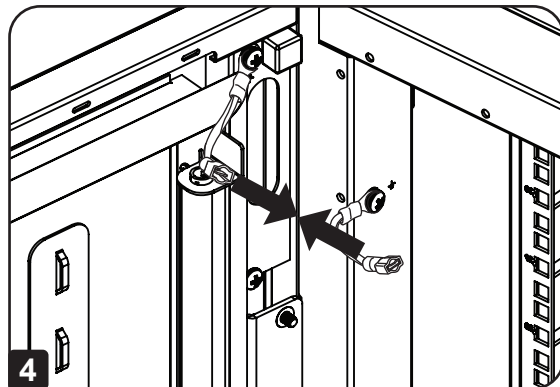
- 1** Retire la puerta siguiendo los pasos de la sección anterior.
- 2** Retire las bisagras de la puerta y fíjelas del lado opuesto del gabinete.
Nota: Los puntos alternos para fijar las bisagras tienen pernos de plástico en los orificios para los tornillos. Quítelos e insértelos en los puntos originales de fijación de las bisagras.



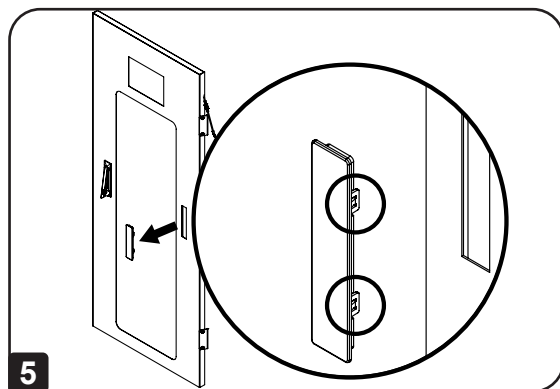
- 3** Desatornille los 2 mecanismos de bisagra de las aberturas de la bisagra dentro de la puerta y fije cada uno de ellos utilizando el conjunto de orificios para tornillos directamente opuestos a su posición original.



- 4** Recuerde conectar el cable de conexión a tierra al interior de la puerta usando el punto de fijación más cercano a la bisagra en la parte superior de la puerta. El punto de fijación está marcado con el símbolo de conexión a tierra: ⊕ Levante la puerta de las bisagras y retírela del gabinete.

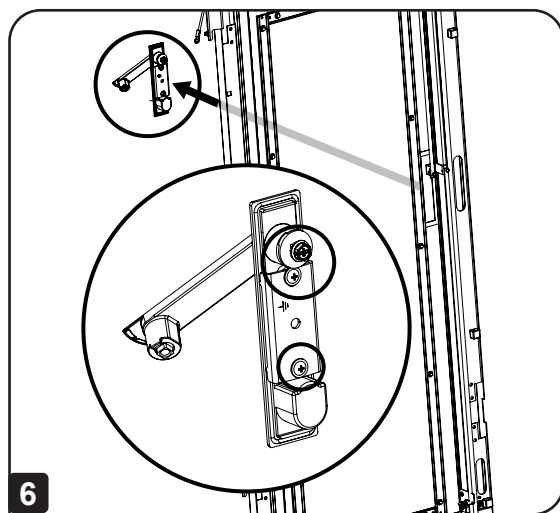


- 5** Retire la placa de cubierta de la manija de la puerta colocando con cuidado las pestañas con un destornillador plano.

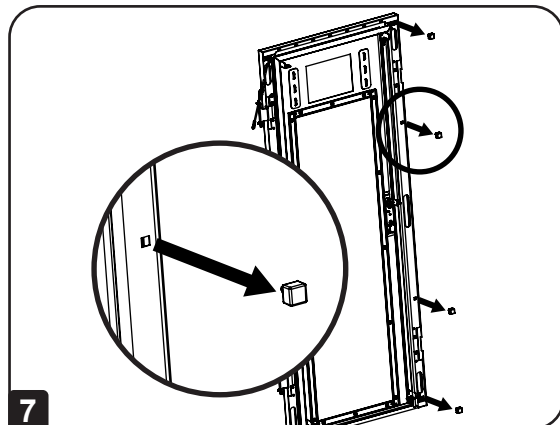


Configuración del Gabinete

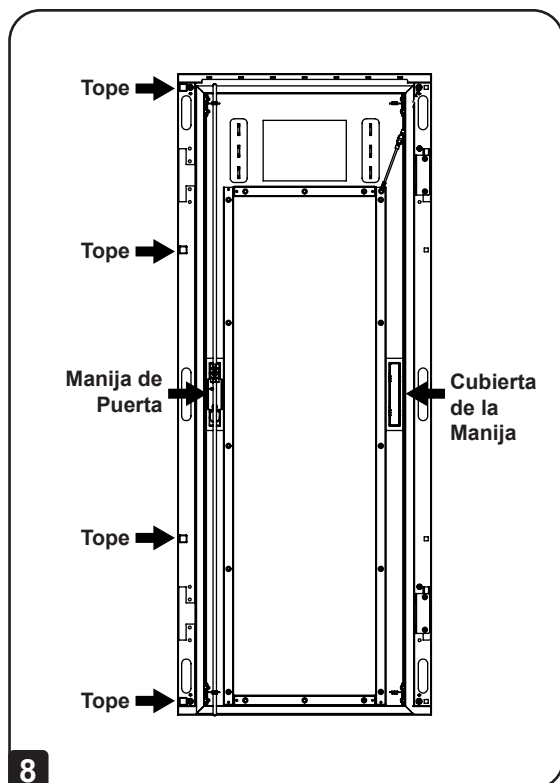
- 6** Retire la manija de la puerta usando un destornillador Phillips para retirar los tres tornillos que sujetan la manija en su lugar.



- 7** Retire los topes de la puerta.



- 8** Vuelva a instalar los artículos 5-7 en el lado opuesto de la puerta (IZQUIERDA versus DERECHA).

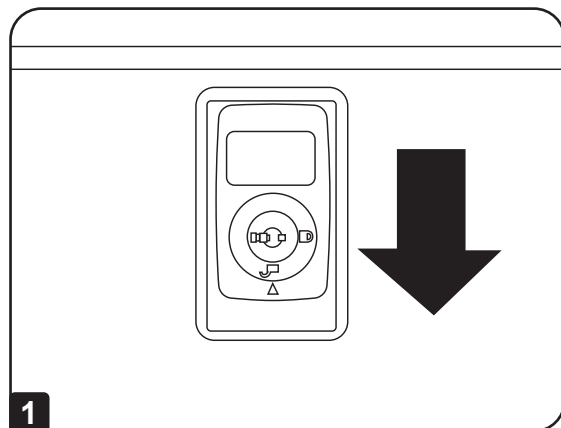


Configuración del Gabinete

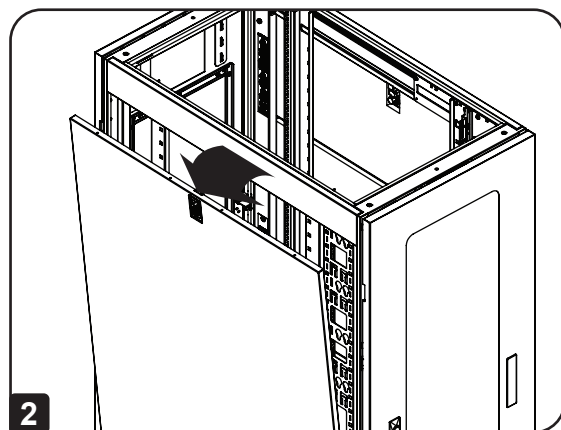
Colocación o Retiro de los Paneles Laterales

Retiro del Panel Lateral

1 Abra el pestillo deslizándolo hacia abajo.

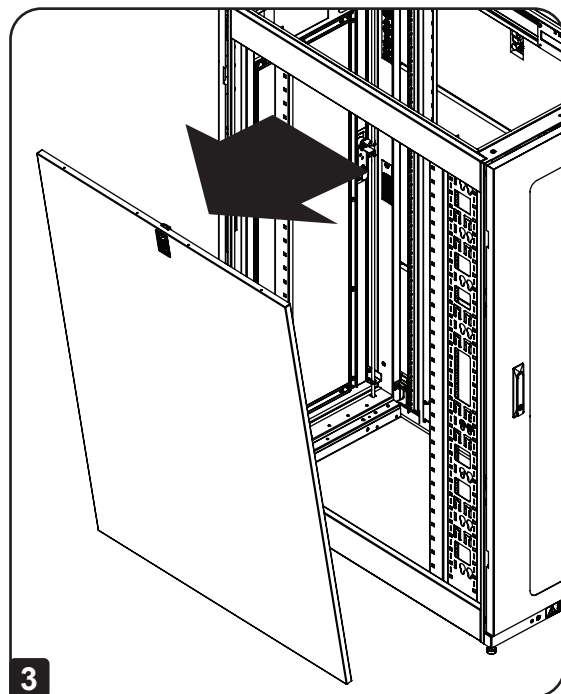


2 Incline la parte superior del panel hacia afuera del gabinete.



3 Levante el panel de la abrazadera que lo sostiene.

4 Si está presente, desconecte el cable de conexión a tierra del panel.



Para volver a instalar el Panel Lateral, invierta los pasos 1 a 4

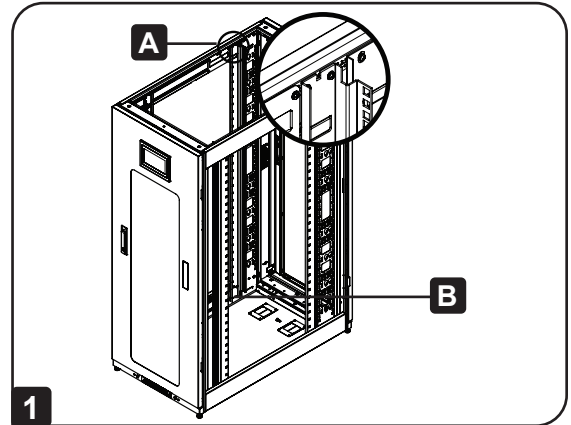
Configuración del Gabinete

Rieles de Instalación con Ajuste y Rieles de Administración de Cables

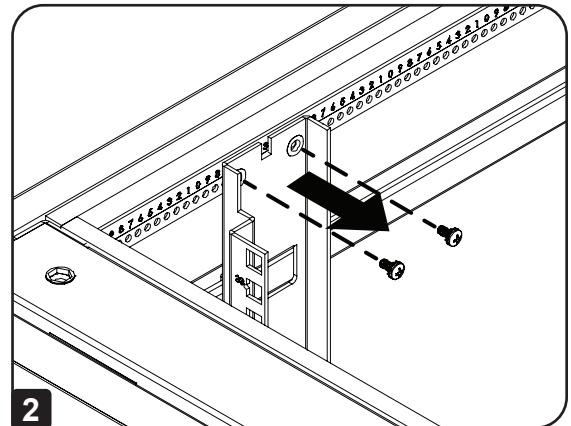
ADVERTENCIA: No intente ajustar los rieles sin ayuda. No intente ajustar los rieles mientras el equipo está instalado en el gabinete. No intente usar los rieles sin los tornillos instalados (6 por riel).

Los 4 rieles de instalación están preinstalados para acomodar equipo con una profundidad de instalación de 762 mm [30"]. No ajuste los rieles de instalación a menos que su equipo requiera una profundidad de instalación diferente. Los juegos de rieles anterior y posterior pueden ajustarse independientemente en incrementos de 6.35 mm [¼"] para instalación con profundidades entre 101.6 mm [4"] y 1066.8 mm [42"].

- 1 Cada riel está fijado al gabinete con los 4 tornillos:
1 par en la viga superior **A** y 1 par en la viga inferior **B**.

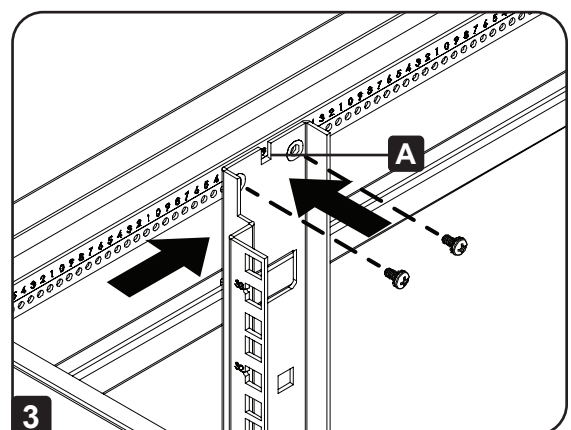


- 2 Retire los tornillos que sujetan cada uno de los rieles al gabinete. (Si se requiere el ajuste de los rieles delanteros, puede también quitar los tornillos de los rieles delanteros).



- 3 Deslice los rieles de instalación a la profundidad deseada y vuélvalos a instalar usando los tornillos que retiró en el Paso 2. Los puntos de sujeción del riel están numerados **A** para ayudar a alinear cada par de rieles a la misma profundidad.

La profundidad de los 2 rieles de administración de cables se puede ajustar utilizando el mismo método.

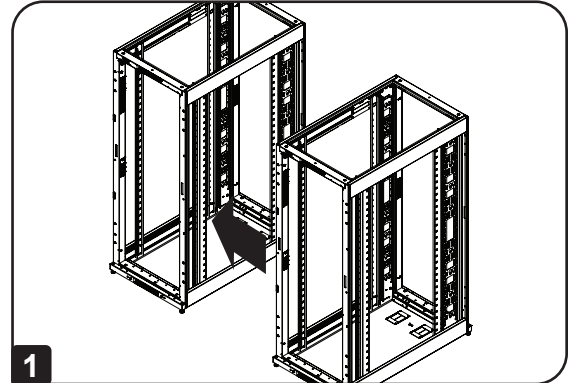


Configuración del Gabinete

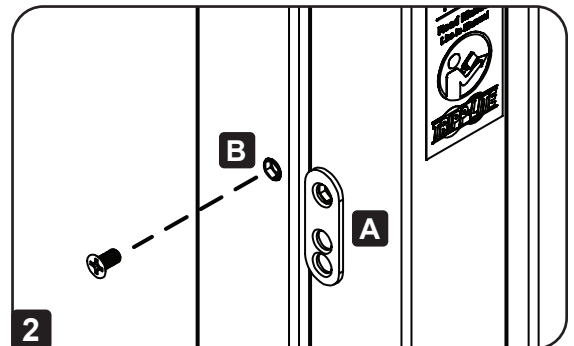
Combinación de Gabinetes (Instalación en Hileras)

ADVERTENCIA: La combinación de racks no sustituye su estabilización. Cada rack en una hilera necesita las mismas medidas de estabilización que uno independiente.

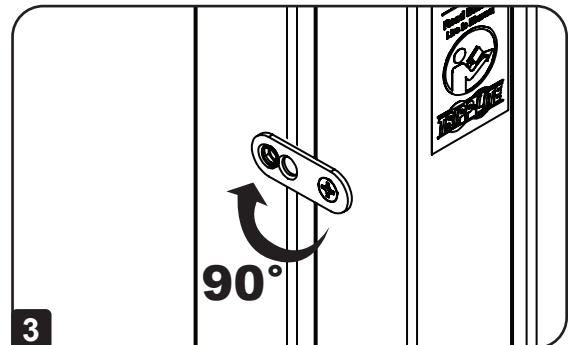
1 Disponga los gabinetes en la posición correcta para su colocación en fila.



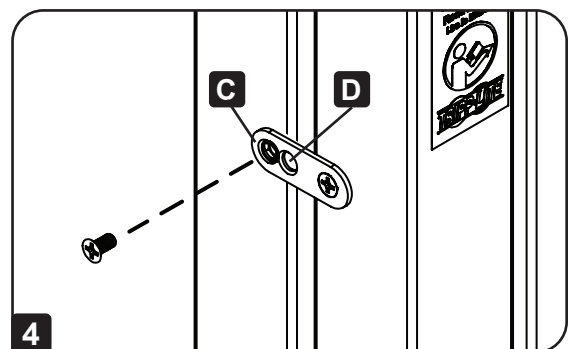
2 Cada gabinete incluye 4 soportes para la instalación en hileras **A** que corresponden a los puntos de conexión **B** en el gabinete adyacente. Los puntos de conexión ya tienen tornillos. Retire el tornillo de cada punto de conexión de la instalación en hileras en el gabinete adyacente.



3 Afloje el tornillo de cada soporte de la instalación en hileras y gire cada soporte a 90 grados hacia el gabinete adyacente, alineando cada uno con el punto de conexión correspondiente en el gabinete adyacente.



4 Conecte cada soporte al gabinete adyacente usando los tornillos que retiró en el paso 2, pero no apriete los tornillos por completo. Ajuste la posición de los gabinetes según sea necesario. Si desea que los centros de los gabinetes estén separados 61 cm [24"] (76 cm [30"] para el SR42UBWD), use el orificio externo del soporte **C**. Si desea que los centros estén separados 60 cm [23.6"] (76 cm [30"] para el SR42UBWD), use el orificio medio del soporte **D**. Después de conectar todos los soportes de fijación y de confirmar que los gabinetes no necesitan más ajustes, apriete todos los tornillos.



Nota: Puede retirar las puertas de los gabinetes antes de combinarlos. Volver a instalarlas después es opcional. Quite los paneles laterales interiores antes de fijar en hileras los gabinetes si desea habilitar el acceso entre gabinetes.

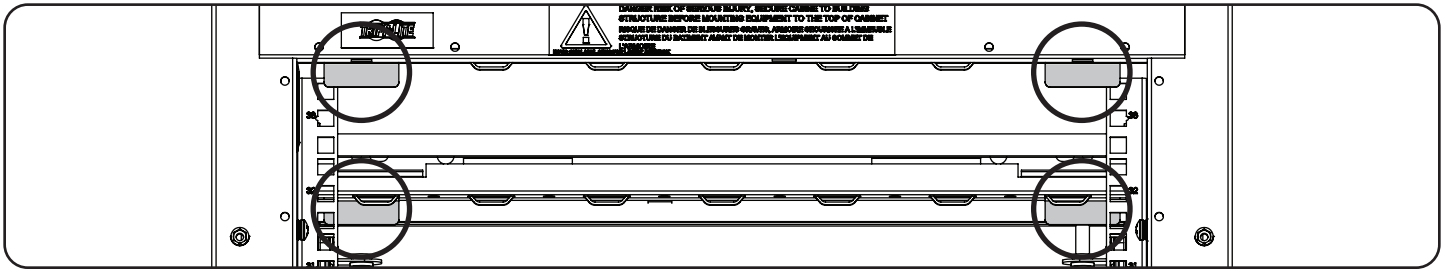
Instalación del Equipo

ADVERTENCIA: No instale el equipo hasta que haya estabilizado el gabinete. Instale primero los equipos más pesados e instálelos hacia la parte inferior del gabinete. Instale los equipos a partir de la parte inferior del gabinete y proceda hacia la parte superior del gabinete - nunca al revés. Si utiliza guías de equipos deslizantes, tenga cuidado al extender los rieles. No extienda más de un juego de rieles de equipos deslizantes a la vez. Evite extender los rieles de equipos deslizantes cerca de la parte superior del gabinete.

Nota: Los orificios cuadrados al centro de cada unidad de rack están numerados y también incluyen una pequeña muesca para facilitar su identificación. Una sola unidad de rack incluye el espacio ocupado por el orificio numerado y los orificios directamente arriba y abajo.



Nota: Antes de instalar el equipo, retire los soportes como se muestra en la imagen siguiente.



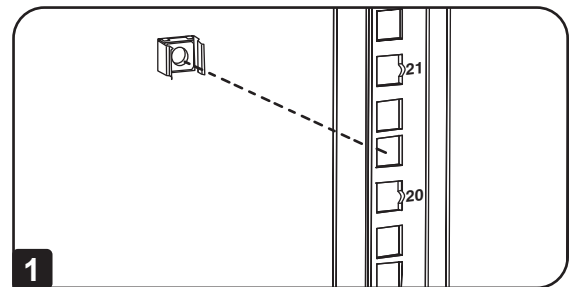
Instalación o Retiro de las Tuercas de Fijación

ADVERTENCIA: Las bridas de las tuercas de fijación deben acoplar con los lados de la abertura del orificio cuadrado en el riel, no en la parte superior o inferior. Siga las instrucciones en la documentación del equipo para asegurar una instalación adecuada de su equipo.

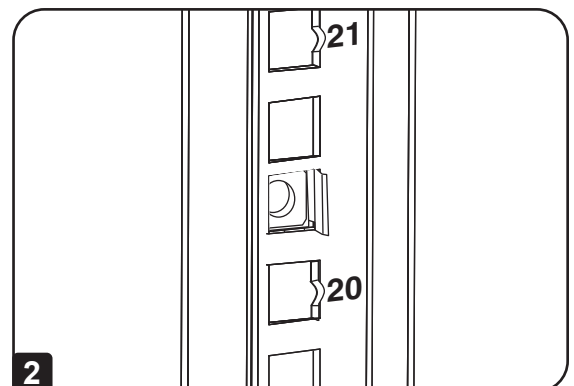
Instalación de las Tuercas de Fijación

- 1 Localice los orificios cuadrados numerados en los rieles de instalación donde planea instalar su equipo. Instalará tuercas de fijación (incluidas) en las aberturas cuadradas a fin de proporcionar un punto de fijación para los tornillos de instalación (incluidos).

Nota: Consulte la documentación de su equipo para determinar cuántas tuercas de fijación requerirá y en dónde necesitan instalarse.

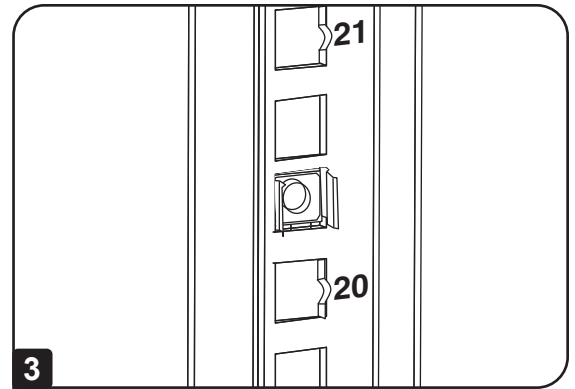


- 2 Desde la parte interior del riel de instalación, inserte una de las bridas de la tuerca de fijación a través de la abertura cuadrada. Presione contra el lado de la abertura cuadrada. Cada brida debe engancharse en un lado de la abertura cuadrada, no en la parte superior o inferior.



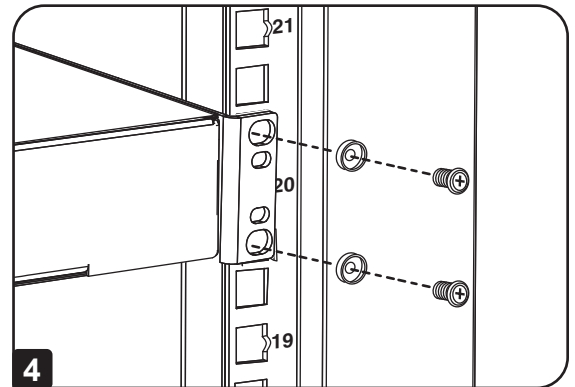
Instalación del Equipo

3 Comprima la tuerca de fijación ligeramente por los costados para permitir que el resto de la brida se ajuste a través de la abertura cuadrada. Cuando la tuerca de fijación esté correctamente instalada, ambas bridas sobresaldrán a través de la abertura cuadrada y serán visibles en la superficie exterior del riel de instalación. Repita los pasos 1 a 3 hasta que estén instaladas todas las tuercas de fijación requeridas.



4 Después de instalar las tuercas de fijación, use los tornillos de instalación y arandelas de seguridad incluidos para fijar su equipo al riel del rack. Coloque las arandelas de seguridad entre los tornillos y los soportes de instalación del equipo.

Nota: Su equipo puede incluir también accesorios para instalación. Lea las instrucciones de instalación que vienen con su equipo antes de instalar su equipo.



Para retirar las tuercas de fijación, invierta los pasos 1-3

Nota: Puede usar una herramienta para la tuerca de fijación (proporcionada por el usuario) para ayudarse en la instalación y retiro de la tuerca de fijación.

Especificaciones

Modelo	Capacidad de carga*		Dimensiones de la Unidad				Dimensiones de Envío			
	Estática	En movimiento	Altura	Ancho	Profundidad	Peso	Altura	Ancho	Profundidad	Peso
SR25UBAC	1363 kg [3000 lb]	1022 kg [2250 lb]	1243 mm [49"]	600 mm [23.63"]	1092 mm [43"]	88.5 kg [195 lb]	1359 mm [53.5"]	610 mm [24"]	1092 mm [43"]	107.5 kg [237 lb]
SR33UBAC	1363 kg [3000 lb]	1022 kg [2250 lb]	1600 mm [63"]	600 mm [23.63"]	1092 mm [43"]	118 kg [260 lb]	1715 mm [67.5"]	610 mm [24"]	1092 mm [43"]	137 kg [302 lb]

Almacenamiento y Servicio

Almacenamiento

El gabinete debe guardarse en un entorno interior controlado lejos de humedad excesiva, temperaturas extremas, líquidos y gases inflamables, contaminantes conductores, polvo o luz solar directa. De ser posible, almacene el gabinete en su contenedor de embarque original.

Servicio

Su producto Tripp Lite está cubierto por la garantía descrita en este manual. Tripp Lite también ofrece una gran variedad de Programas de Garantía Extendida y Servicio En Sitio. Para más información sobre el servicio, visite tripplite.com/support. Antes de devolver su producto para servicio, siga estos pasos:

1. Revise los procedimientos de instalación y operación en este manual para asegurarse de que el problema de servicio no es resultado de no haber leído bien las instrucciones.
2. Si el problema persiste, no se ponga en contacto con el distribuidor ni le devuelva el producto. En su lugar, visite tripplite.com/support.
3. Si el problema requiere de servicio, visite tripplite.com/support y haga clic en el enlace Devolución de Productos. Desde aquí usted puede solicitar un número de Autorización de Devolución de Mercancía [RMA] que se requiere para el servicio. Esta sencilla forma en línea solicitará los números de modelo y serie de su unidad junto con otra información general del comprador. El número de RMA junto con las instrucciones de embarque le serán enviadas por correo electrónico. Cualquier daño (directo, indirecto, especial o consecuente) al producto incurrido durante el embarque a Tripp Lite o un Centro de Servicio Autorizado de Tripp Lite no está cubierto bajo la garantía. Los productos enviados a Tripp Lite o un Centro de Servicio Autorizado de Tripp Lite deben tener los cargos del transporte prepagados. Marque el número de RMA en el exterior del empaque. Si el producto está dentro del período de garantía, adjunte una copia de su recibo de venta. Regrese el producto para servicio usando un transportista asegurado a la dirección que se le proporcionó cuando solicitó la RMA.

Garantía

Garantía Limitada por 5 Años


El vendedor garantiza este producto, si se usa de acuerdo con todas las instrucciones aplicables, de que está libre de defectos en cuanto a materiales y mano de obra por un período de 5 años a partir de la fecha de compra inicial. Si el producto resultara defectuoso en cuanto a materiales o mano de obra dentro de ese período, el vendedor reparará o reemplazará el producto a su entera discreción.

ESTA GARANTÍA NO SE APLICA AL DESGASTE NORMAL O A LOS DAÑOS QUE RESULTEN DE ACCIDENTES, USO INCORRECTO, USO INDEBIDO O NEGLIGENCIA. EL VENDEDOR NO OTORGA GARANTÍAS EXPRESAS DISTINTAS A LA ESTIPULADA EN EL PRESENTE. SALVO EN LA MEDIDA EN QUE LO PROHÍBAN LAS LEYES APLICABLES, TODAS LAS GARANTÍAS IMPLÍCITAS, INCLUIDAS TODAS LAS GARANTÍAS DE COMERCIALIZACIÓN O IDONEIDAD, ESTÁN LIMITADAS EN CUANTO A DURACIÓN AL PERÍODO DE GARANTÍA ESTABLECIDO; ASIMISMO, ESTA GARANTÍA EXCLUYE EXPRESAMENTE TODOS LOS DAÑOS INCIDENTALES E INDIRECTOS. (Algunos estados no permiten limitaciones en cuanto a la duración de una garantía y algunos estados no permiten la exclusión o limitación de daños incidentales o indirectos, de modo que es posible que las limitaciones anteriores no se apliquen a usted. Esta garantía le otorga derechos legales específicos y usted puede tener otros derechos que pueden variar de una jurisdicción a otra).

ADVERTENCIA: antes de usarlo, cada usuario debe cerciorarse si este dispositivo es adecuado o seguro para el uso previsto. Ya que las aplicaciones individuales están sujetas a gran variación, el fabricante no garantiza la adecuación de estos dispositivos para alguna aplicación específica.

Tripp Lite tiene una política de mejora continua. Las especificaciones del producto están sujetas a cambios sin previo aviso. Las fotografías e ilustraciones pueden diferir ligeramente de los productos reales.

Notas sobre la etiqueta

Este símbolo se usa en el producto:  Conexión a Tierra



Manuel de l'utilisateur

Boîtiers SmartRack® pour climatiseurs montés sur le dessus d'un bâti SRCOOL3KTP

Modèles : SR25UBAC, SR33UBAC

(numéros de série : AGAC7006, AG-0676)

Consignes de sécurité importantes	38	Configuration du boîtier	45
Vue d'ensemble	39	Ajout ou retrait des portes avant et des portes arrière	45
Identification des caractéristiques	40	Inverser la porte avant	46
Installation du boîtier	41	Ajout ou retrait de panneaux latéraux	48
Préparation	41	Ajustement des rails de montage et des rails de gestion des câbles	49
Déballage	41	Combinaison des boîtiers (juxtaposition)	50
Placement	43	Installation de l'équipement	51
Mise au niveau	43	Installer ou retirer les écrous à cage	51
Connexion à la terre	44	Caractéristiques techniques	52
		Entreposage et entretien	53
		Garantie	54

English 1 • Español 19 • Русский 55



1111 W. 35th Street, Chicago, IL 60609 USA • triplite.com/support

Droits d'auteur © 2022 Tripp Lite. Tous droits réservés.



CONSERVER CES INSTRUCTIONS

Toutes les sections de ce manuel contiennent des instructions et des avertissements qui doivent être suivis pendant l'installation et l'utilisation des boîtiers SmartRack décrits dans ce manuel. Lire attentivement toutes les instructions et les avertissements avant d'essayer de déplacer, d'installer ou d'utiliser les boîtiers SmartRack décrits dans ce manuel. Le non-respect de ces instructions et de ces avertissements créera un risque de lésions corporelles et de dommages matériels, et pourrait annuler la garantie.

- Garder le boîtier dans un environnement intérieur contrôlé, à l'écart de l'humidité, des températures extrêmes, des liquides et des gaz inflammables, des contaminants conducteurs, de la poussière et de la lumière directe du soleil.
- Allouer suffisamment d'espace à l'avant et à l'arrière du boîtier pour assurer une ventilation adéquate. Ne pas bloquer, couvrir ou insérer des objets dans les ouvertures de ventilation externes du boîtier.
- Le boîtier est extrêmement lourd. Faire preuve de vigilance lors de la manutention du boîtier. Ne pas tenter de le déballer, de le déplacer ou de l'installer sans assistance. Utiliser un dispositif mécanique comme un chariot élévateur à fourche ou un transpalette manuel pour déplacer le boîtier dans le conteneur d'expédition.
- Inspecter le conteneur d'expédition et le boîtier pour s'assurer qu'ils n'ont subi aucun dommage durant le transport. Ne pas utiliser le boîtier s'il est endommagé.
- Laisser le boîtier dans le conteneur d'expédition jusqu'à ce qu'il soit déplacé aussi près que possible de l'emplacement d'installation final. Les roulettes sont conçues pour des ajustements de position mineurs à l'emplacement final de l'installation seulement. Les roulettes ne sont pas conçues pour déplacer le boîtier sur de grandes distances.
- Les roulettes ne sont pas conçues pour fournir un support à long terme au boîtier après l'installation finale. Utiliser les vérins pour fournir un support à long terme.
- Installer le boîtier dans un endroit solidement construit capable de supporter la charge, ou sur un plancher au niveau capable de supporter le poids du boîtier, de tout l'équipement qui sera installé dans le boîtier et de tout autre boîtier ou équipement qui sera installé à proximité.
- Installer l'armoire de façon sécuritaire à la structure du bâtiment en utilisant les supports d'expédition comme illustré dans la section **Installation du boîtier** de ce manuel.
- Ne pas déplacer le boîtier en poussant sur ses panneaux latéraux. Le fait de pousser sur les panneaux latéraux crée un risque de basculement.
- Si le boîtier est déplacé sur ses roulettes, toujours le pousser par-derrière; ne jamais le tirer vers soi.
- Sans supervision adéquate, un boîtier déplacé sur ses roulettes peut causer des blessures corporelles et des pertes matérielles. Si le boîtier doit être roulé vers le bas d'une rampe, procéder avec la plus grande prudence. Ne pas tenter d'utiliser des rampes qui ont une pente supérieure à 1:12.
- Faire preuve de vigilance au moment de couper le matériel d'emballage. Le boîtier pourrait être égratigné, causant des dommages qui ne sont pas couverts par la garantie.
- Conserver tout le matériel d'emballage en vue d'une utilisation ultérieure. Remballer et expédier le boîtier sans le matériel d'emballage d'origine pourrait causer des dommages au produit et annuler la garantie.
- Ne pas réexpédier le boîtier avec de l'équipement supplémentaire à moins que le boîtier n'ait été expédié avec une palette antichoc spéciale (modèles « SP1 » seulement). Le poids combiné du boîtier et de l'équipement installé ne doit pas excéder la capacité de charge de la palette. Tripp Lite n'est pas responsable des dommages qui peuvent survenir pendant la réexpédition.
- Il n'est pas recommandé d'utiliser cet équipement pour des appareils de survie où une défaillance de cet équipement peut, selon toute vraisemblance, entraîner la défaillance de l'appareil de maintien de la vie ou affecter de façon majeure sa sécurité ou son efficacité.
- **DANGER : RISQUE LIÉ À LA STABILITÉ. L'INSTALLATION DES BÂTIS DOIT ÊTRE CONFIEE UNIQUEMENT À DU PERSONNEL D'ENTRETIEN QUALIFIÉ.**
- **DANGER : RISQUE DE BLESSURE GRAVE. FIXER L'ARMOIRE À LA STRUCTURE DU BÂTIMENT AVANT DE MONTER L'ÉQUIPEMENT SUR LE DESSUS DE L'ARMOIRE.**

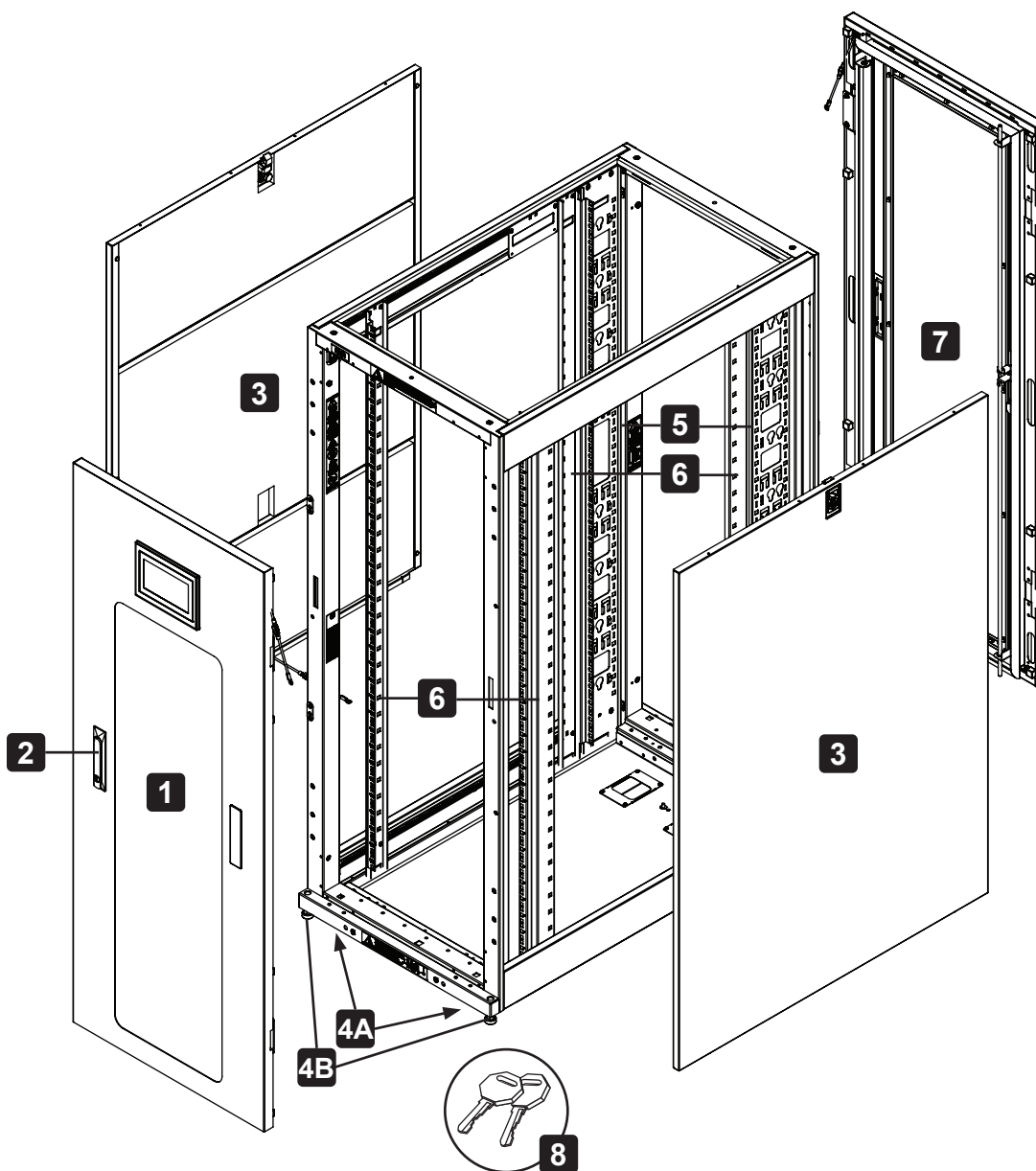
Vue d'ensemble

Les boîtiers SmartRack peuvent accueillir tout équipement pour montage en bâti standard de 48,26 cm (19 po), peu importe le fournisseur, et sont expédiés complètement assemblés pour un déploiement simple et rapide.

Les armoires pour boîtier SR25UBAC et SR33UBAC sont spécialement conçues pour être utilisées avec le climatiseur autonome monté sur le dessus d'un bâti SRCOOL3KTP.

Les boîtiers SR25UBAC et SR33UBAC ont des profondeurs de montage variables, idéales pour les serveurs. La quincaillerie intégrée pour la juxtaposition permet une expansion rentable, ordonnée et efficace. Les deux armoires comprennent des portes avant et arrière étanches avec des fenêtres en Plexiglas et des panneaux latéraux isolés pour une efficacité énergétique et un refroidissement accrus, ainsi qu'une maintenance pratique et un accès amélioré. Pour plus de sécurité, les portes avant et arrière sont dotées de verrous à verrouillage à plusieurs points.

Identification des caractéristiques



Modèle SR33UBAC illustré.

- 1** Porte avant scellée avec fenêtre en Plexiglas
- 2** Verrous de porte à verrouillage à plusieurs points
- 3** Panneaux latéraux isolés verrouillables
- 4** Roulettes **A** et vérins **B**
- 5** Rails de gestion des câbles
- 6** Rails de montage (fournissent des points de montage horizontaux et verticaux pour l'équipement)
- 7** Porte arrière scellée avec fenêtre en Plexiglas
- 8** Clés

Installation du boîtier



Mise en garde! Lire toutes les Instructions et les avertissements avant l'installation!



AVERTISSEMENT : Le boîtier pour bâti est extrêmement lourd. Ne pas tenter de déballer, déplacer ou installer le boîtier sans aide. Avant qu'il ne soit correctement installé et stabilisé, le boîtier est sujet à basculer et pourrait causer des dommages graves à la propriété ou des blessures. Faire preuve de vigilance lors de la manutention du boîtier et s'assurer de respecter toutes les instructions concernant la manutention et l'installation. Ne pas tenter d'installer l'équipement sans d'abord stabiliser le boîtier.

Préparation

Le boîtier doit être installé dans un endroit solidement construit capable de supporter la charge, ou sur un plancher plan capable de supporter le poids du boîtier, de tout l'équipement qui sera installé dans le boîtier et de tout autre boîtier ou équipement qui sera installé à proximité. Avant de déballer l'appareil, il est recommandé de transporter le conteneur d'expédition aussi près que possible de l'emplacement d'installation finale afin de minimiser la distance sur laquelle l'appareil devra être déplacé une fois que le conteneur d'expédition de protection aura été enlevé. S'il est prévu que le boîtier soit entreposé pendant une période prolongée avant l'installation, suivre les instructions de la section **Entreposage et entretien**.

Plusieurs outils sont requis (fournis par l'utilisateur) :

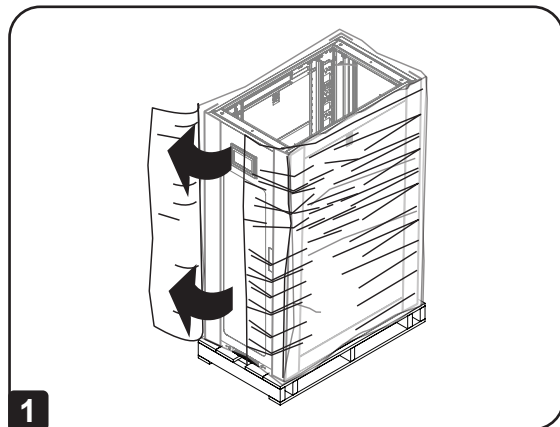
- Clé de 13 mm
- Clé de 18 mm
- Lame utilitaire
- Niveau de menuisier
- Tournevis à pointe cruciforme
- Tournevis plat
- Clé Allen de 5/32 po

La quincaillerie suivante est également nécessaire (incluse) :

- (50) Vis de montage à tête cruciforme (M6 x 5/8 po)
- (50) Écrous à cage (M6)
- (50) Rondelles à collerette en nylon

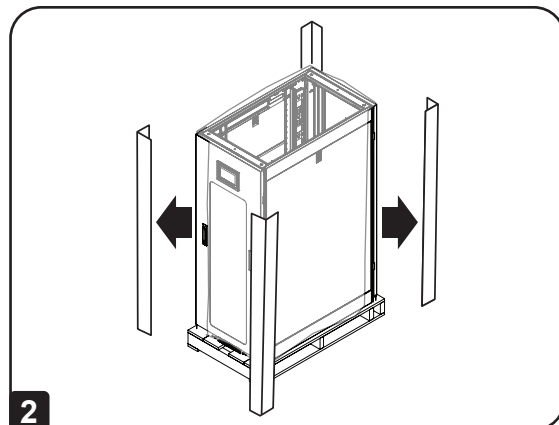
Déballage

- 1** Confirmer que le conteneur d'expédition est en position debout et stable, puis utiliser une lame utilitaire pour couper le film thermorétractable qui retient les cornières de protection. Appliquer la lame utilitaire directement sur les cornières de protection pour empêcher la lame utilitaire d'égratigner le boîtier ou de couper le sac de protection en plastique épais sous le film thermorétractable. **AVERTISSEMENT** : Ne pas égratigner le boîtier ou couper le sac en plastique épais sous le film thermorétractable. Ne pas pousser ni tirer sur le boîtier pendant qu'il se trouve dans l'emballage.

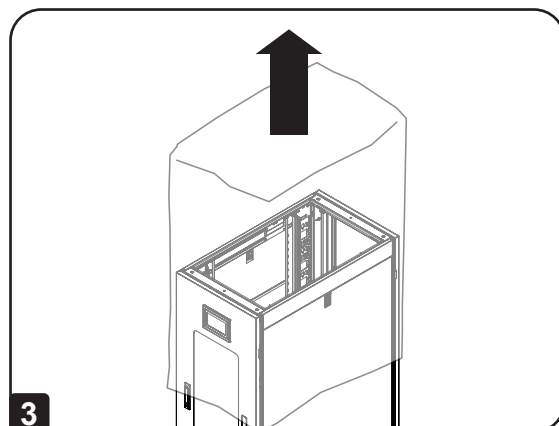


Installation du boîtier

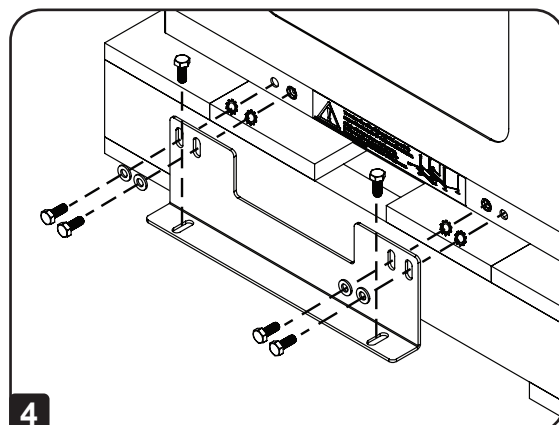
2 Retirer les cornières de protection. Conserver le matériel d'emballage (y compris la palette) pour un usage ultérieur à moins d'avoir la certitude que cela ne sera pas nécessaire. Le matériel d'emballage est recyclable.



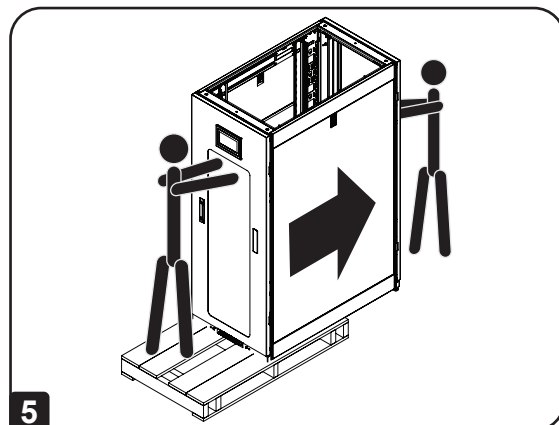
3 Retirer le sac en plastique épais entourant le boîtier. Vérifier que le boîtier n'est pas endommagé et qu'il n'y a pas de pièces desserrées. Confirmer qu'il ne manque aucune pièce. Si quoi que ce soit manque ou est endommagé, contacter Tripp Lite pour obtenir de l'aide. Ne pas tenter d'utiliser le boîtier s'il a été endommagé.



4 Trouver les 2 supports **A** d'expédition qui retiennent le boîtier à la palette d'expédition. Utiliser la clé à fourche de 13 mm pour retirer les supports d'expédition. Faire preuve d'une prudence extrême, car le boîtier risque de se déplacer de manière imprévue après le retrait des supports. Conserver les supports et la quincaillerie des supports pour une utilisation ultérieure.



5 Placer au moins une personne à l'avant du boîtier et une personne à l'arrière du boîtier. Pousser lentement le boîtier vers l'arrière de la palette d'expédition jusqu'à ce que les quatre roulettes dépassent le bord de la palette et touchent le sol. **AVERTISSEMENT : Utiliser l'aide d'au moins un assistant au moment d'enlever le boîtier de la palette. Faire preuve d'une très grande prudence en déplaçant le boîtier.**

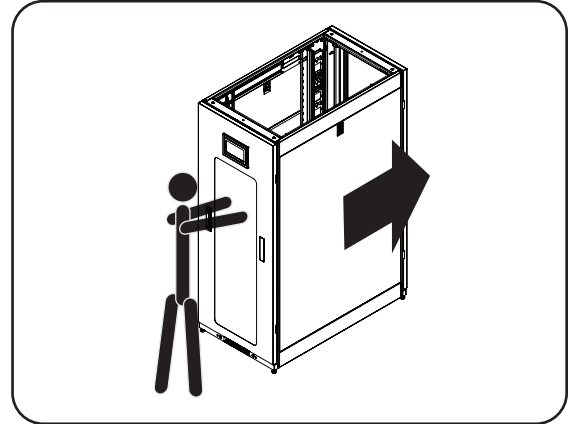


Installation du boîtier

Placement

Utiliser les roulettes pour déplacer le boîtier sur une courte distance sur une surface plane, lisse et stable en le poussant à partir de l'avant et de l'arrière et non pas sur les côtés. Ne pas tenter de rouler le boîtier sur de grandes distances. Le boîtier doit être déplacé à proximité de son emplacement d'installation à l'intérieur de son conteneur d'expédition avant qu'il ne soit déballé. (Utiliser un chariot élévateur à fourche ou un transpalette manuel pour déplacer le conteneur.) **AVERTISSEMENT : Ne pas déplacer le boîtier en poussant ou en tirant sur ses panneaux latéraux ou en tirant le centre de distribution vers soi.**

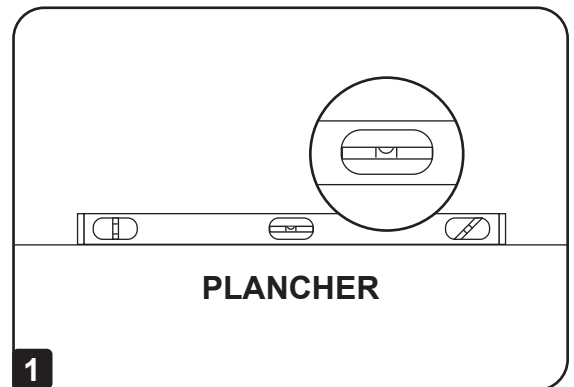
Si nécessaire, le boîtier peut être soulevé en fixant 4 boulons à œil de diamètre M8 fournis par l'utilisateur dans les trous filetés près des coins supérieurs du cadre du boîtier. Utiliser des boulons en acier avec une valeur nominale de solidité ISO de 8,8 ou plus. Les 4 boulons peuvent supporter le poids du boîtier et jusqu'à 450 kg (1 000 lb) d'équipement installé. **AVERTISSEMENT : Seuls des opérateurs d'équipement expérimentés devraient tenter de soulever le boîtier. Utiliser de l'équipement approprié et suivre tous les procédures et règlements applicables en matière de sécurité.**



Mise au niveau

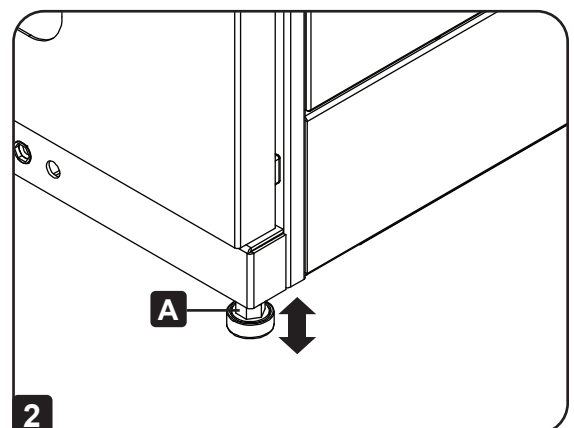
AVERTISSEMENT : Mettre de niveau le boîtier avant de tenter d'installer l'équipement. Les roulettes ne sont pas conçues pour fournir un support à long terme au boîtier. Utiliser les vérins pour fournir un support à long terme. Installer le boîtier dans un endroit solidement construit capable de supporter la charge, ou sur un plancher au niveau capable de supporter le poids du boîtier, de tout l'équipement qui sera installé dans le boîtier et de tout autre boîtier ou équipement qui sera installé à proximité.

- 1 Une fois que le boîtier a été déplacé vers l'emplacement d'installation, utiliser un niveau de menuisier pour vérifier la pente du plancher. Si la pente du plancher est supérieure à 1 %, choisir un autre site d'installation.



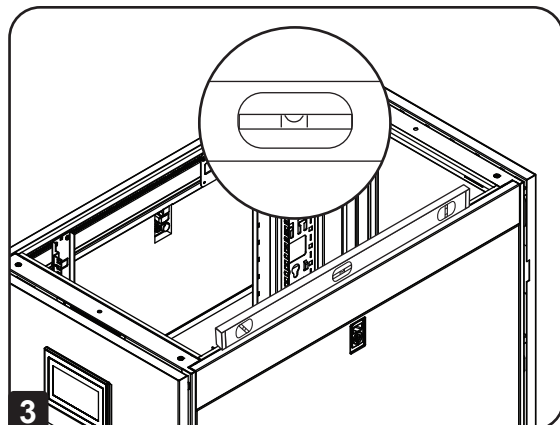
- 2 Utiliser une clé à fourche de 18 mm pour abaisser chaque vérin **A** jusqu'à ce qu'il atteigne le sol. (Il y a 4 vérins, 2 à l'avant et 2 à l'arrière.) S'assurer que chaque vérin touche solidement le sol.

Remarque: Abaisser un niveleur en le tournant dans le sens des aiguilles d'une montre; élever un niveleur en le tournant dans le sens contraire des aiguilles d'une montre.

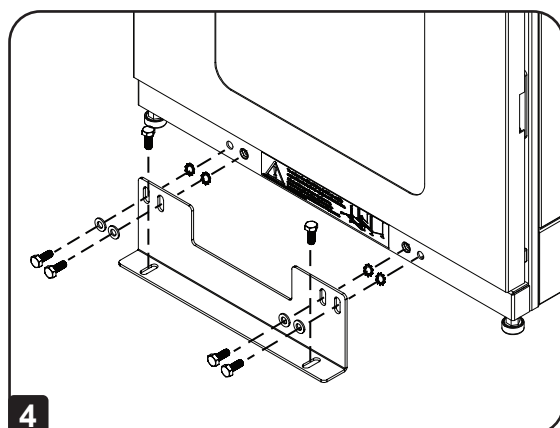


Installation du boîtier

- 3** Après avoir descendu chaque vérin, utiliser le niveau de menuisier pour confirmer que le boîtier est au niveau dans toutes les directions. Régler les vérins au besoin jusqu'à ce que le boîtier soit au niveau.

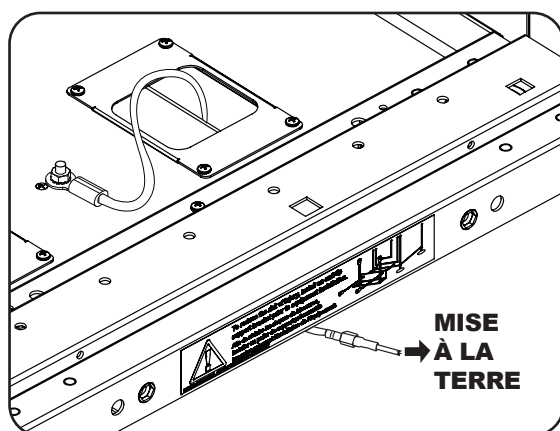


- 4** Pour retenir l'armoire à la structure du bâtiment pour fournir une stabilité, fixer les 2 supports d'expédition en utilisant la quincaillerie qui retenait le boîtier à la palette d'expédition. Utiliser une clé à fourche de 13 mm pour connecter les supports aux points de montage du support avant et arrière du boîtier. Fixer les supports pour retenir les points de montage dans le plancher en utilisant la quincaillerie fournie par l'utilisateur ou la trousse de fixation SmartRack de Tripp Lite (modèle : SRBOLTDOWN).



Connexion à la terre

Toutes les parties du boîtier sont mises à la masse sur le cadre du boîtier. Utiliser le panneau inférieur du boîtier avec un montant de mise à la terre M6 marqué et un fil de mise à la terre fourni par l'utilisateur pour connecter directement à la connexion de mise à la terre de l'établissement. Acheminer le fil de mise à la terre à travers les brosses dans le panneau sous le cadre du boîtier pour s'assurer de ne pas entraver le **A** fonctionnement de la porte. **AVERTISSEMENT : Fixer séparément chaque boîtier à une mise à la masse. Ne pas utiliser le boîtier sans une connexion de mise à la masse.**



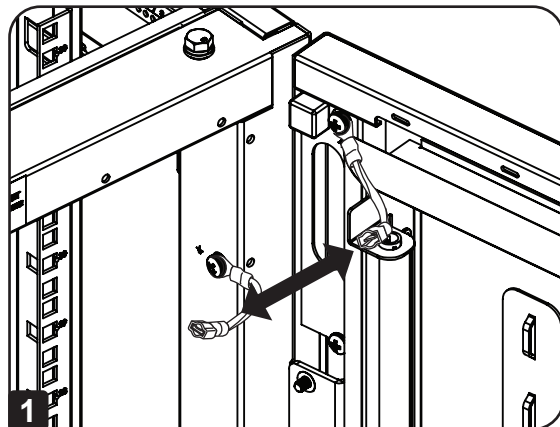
Configuration du boîtier

Ajout ou retrait des portes avant et arrière

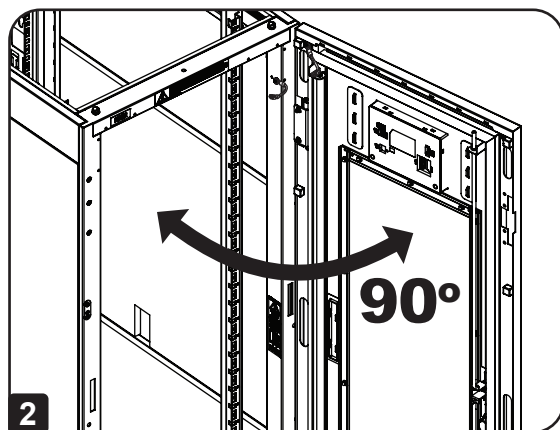
AVERTISSEMENT : Ne pas tenter d'ajouter ou de retirer les portes sans aide.

Retirer la porte

1 Débrancher le fil de mise à la terre de la porte.



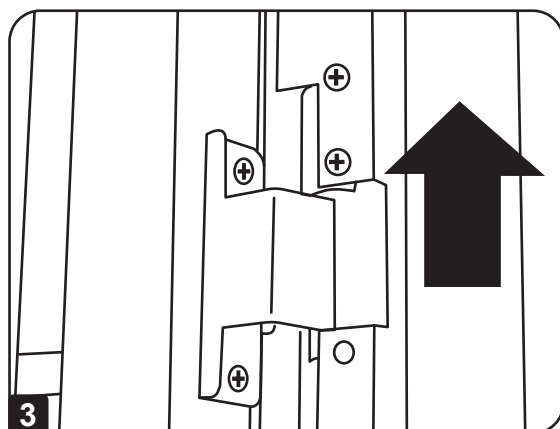
2 Ouvrir la porte jusqu'à ce qu'elle soit perpendiculaire (90 degrés) à l'avant du boîtier.



3 Soulever la porte hors des charnières, puis la retirer du boîtier.

Pour réinstaller la porte, répéter les étapes 1 à 3 dans l'ordre inverse.

(facultatif) Si le boîtier est joint à un autre boîtier, tourner la porte vers l'arrière vers le boîtier tout en la soulevant hors de ses charnières.



Configuration du boîtier

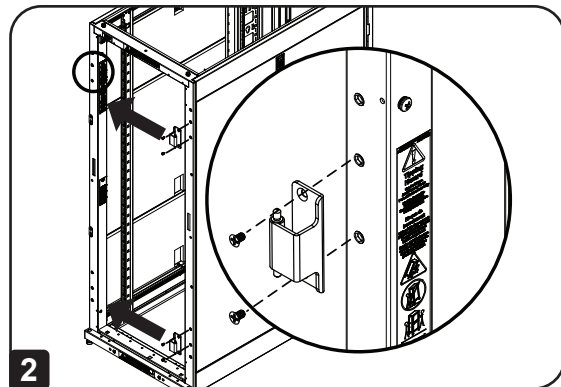
Inverser la porte avant

AVERTISSEMENT : Ne pas tenter d'inverser la porte avant sans aide.

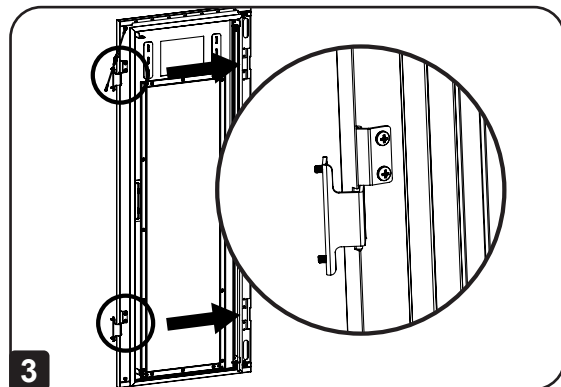
1 Retirer la porte en suivant les étapes de la section précédente.

2 Retirer les charnières de la porte du boîtier, puis les fixer au côté opposé du boîtier.

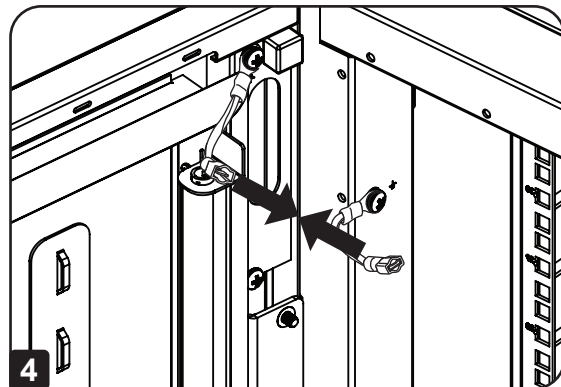
Remarque : Les autres points de fixation des charnières de la porte sont dotés de bouchons en plastique dans les trous de vis. Retirer les bouchons, puis les insérer dans les points de fixation d'origine des charnières de la porte.



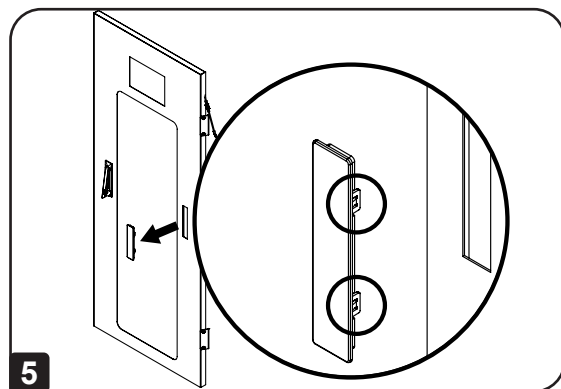
3 Dévisser les 2 mécanismes des charnières des ouvertures pour les charnières à l'intérieur de la porte, puis rattacher chacune d'entre elles en utilisant l'ensemble des trous de vis se trouvant directement opposées à leur position d'origine.



4 Ne pas oublier de raccorder le fil de mise à la terre à l'intérieur de la porte en utilisant le point de fixation le plus près de la charnière dans la partie supérieure de la porte. Le point de fixation est marqué du symbole de connexion à la terre: ⊕. Soulever la porte des charnières et la retirer du boîtier.

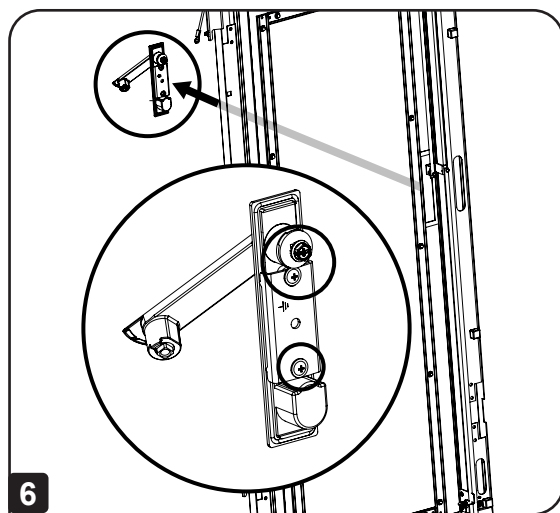


5 Retirer la plaque de couvercle de la poignée de porte en insérant délicatement les languettes avec un tournevis plat.

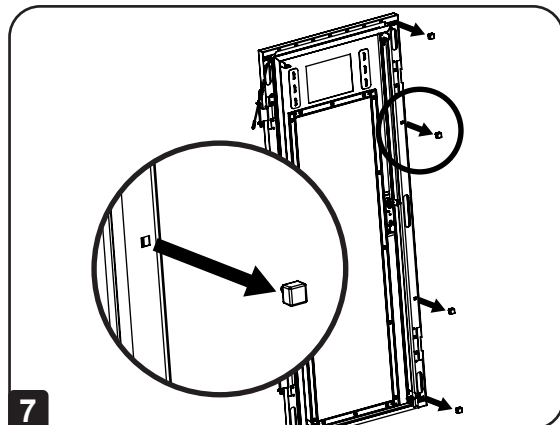


Configuration du boîtier

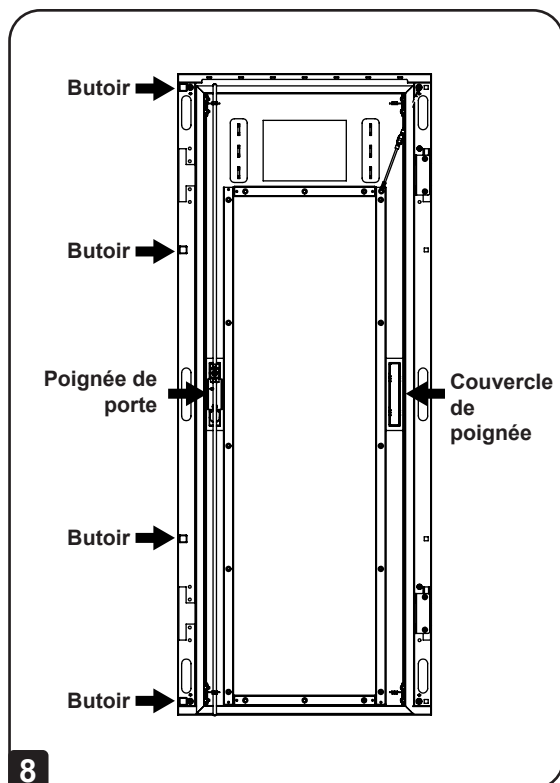
- 6** Retirer la poignée de porte en utilisant un tournevis Phillips pour retirer les trois vis retenant la poignée en place.



- 7** Retirer les butoirs pour porte.



- 8** Réinstaller les éléments des étapes 5 à 7 du côté opposé de la porte (**GAUCHE** ou **DROITE**).

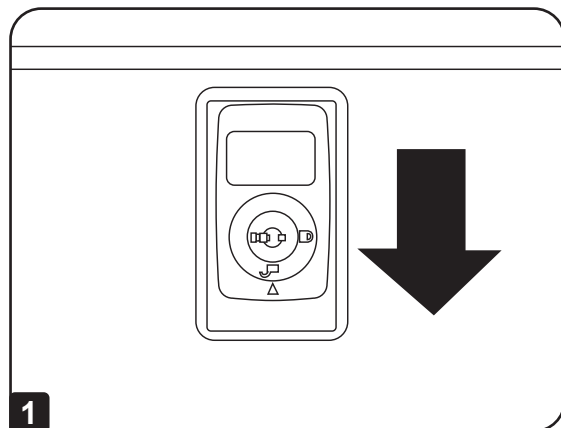


Configuration du boîtier

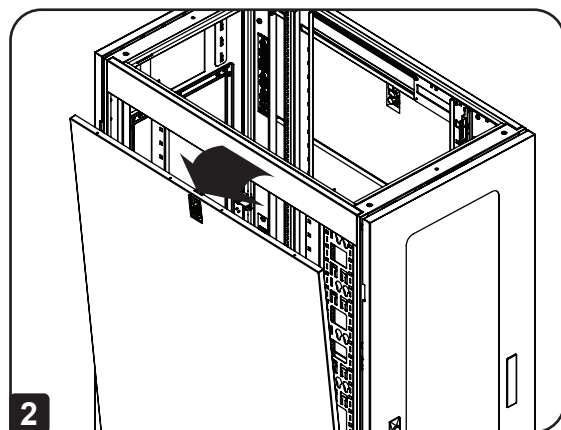
Ajout ou retrait de panneaux latéraux

Retrait des panneaux latéraux

1 Ouvrir le loquet en le faisant glisser vers le bas.



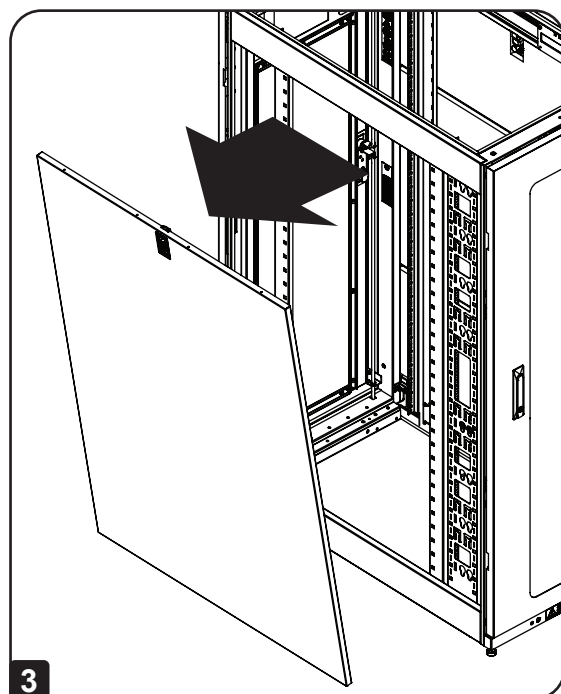
2 Incliner la partie supérieure du panneau en l'éloignant du boîtier.



3 Soulever le panneau en l'éloignant de l'entretoise qui le soutient.

4 Débrancher le fil de mise à la terre du panneau, le cas échéant.

Pour réinstaller le panneau latéral, répéter les étapes 1 à 4.



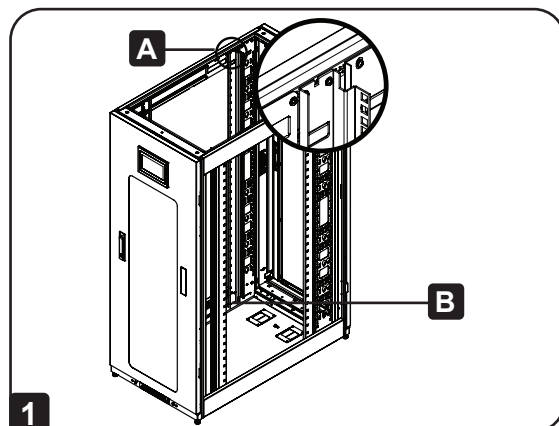
Configuration du boîtier

Ajustement des rails de montage et des rails de gestion des câbles

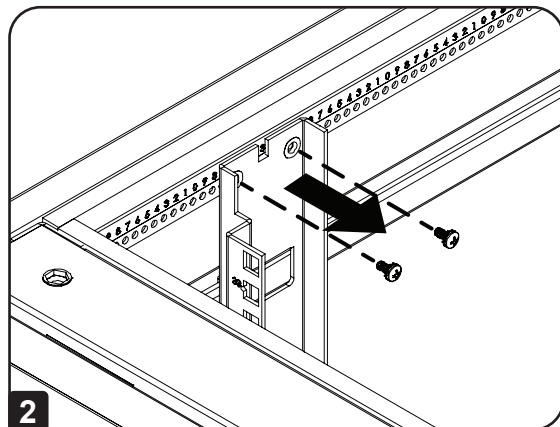
AVERTISSEMENT : Ne pas tenter d'ajuster les rails sans aide. Ne pas tenter d'ajuster les rails lorsque l'équipement est installé dans le boîtier. Ne pas tenter d'utiliser les rails sans avoir posé les vis (6 par rail).

Les 4 rails de montage sont préinstallés pour accueillir de l'équipement avec une profondeur de montage de 762 mm (30 po). Ne pas régler les supports de montage à moins que l'équipement ne nécessite une profondeur de montage différente. Les ensembles de rails avant et arrière peuvent être ajustés de façon indépendante par incréments de 6 mm ($\frac{1}{4}$ po) pour différentes profondeurs de montage variant entre 101,4 mm (4 po) et 1 066,8 mm (42 po).

- 1 Chaque rail est fixé au boîtier au moyen de 4 vis - 1 paire au niveau du montant **A** supérieur et 1 paire au niveau du montant **B** inférieur.

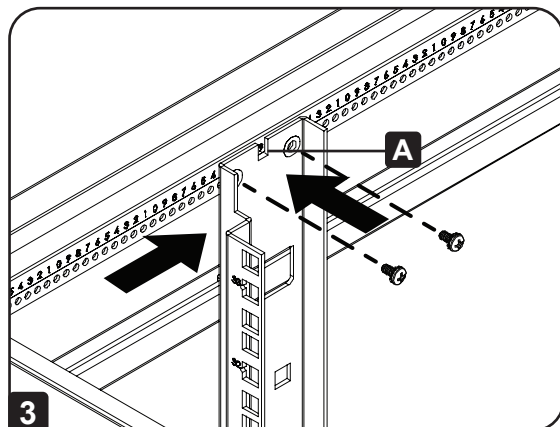


- 2 Retirer les vis qui retiennent chaque rail de montage arrière au boîtier. (Si le rail avant doit être ajusté, il est possible de retirer les vis des rails avant.)



- 3 Glisser les rails de montage à la profondeur désirée, puis les rattacher en utilisant les vis retirées à l'étape 2. Les points de fixation des rails sont numérotés **A** pour aider à aligner chaque paire de rails à la même profondeur.

La profondeur des 2 rails de gestion des câbles peut être ajustée en utilisant la même méthode.

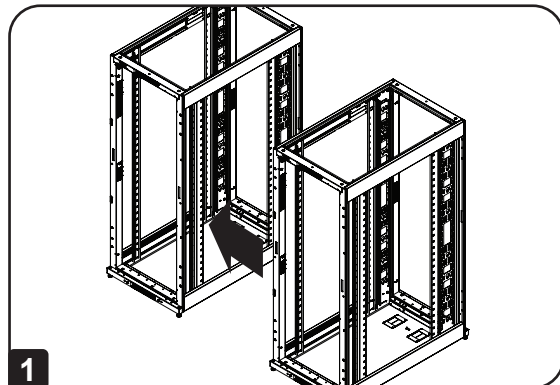


Configuration du boîtier

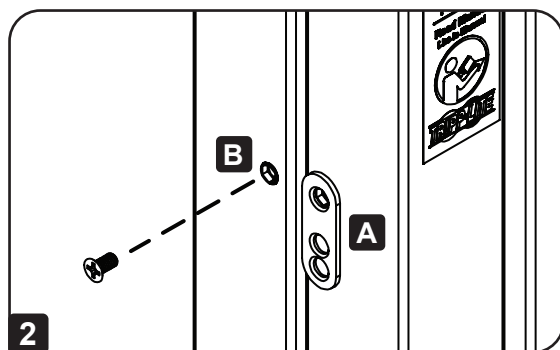
Combinaison des boîtiers (juxtaposition)

AVERTISSEMENT : La combinaison des boîtiers ne remplace pas la stabilisation des boîtiers. Chaque boîtier dans une baie de boîtiers combinés exige les mêmes mesures de stabilisation qu'un boîtier autonome.

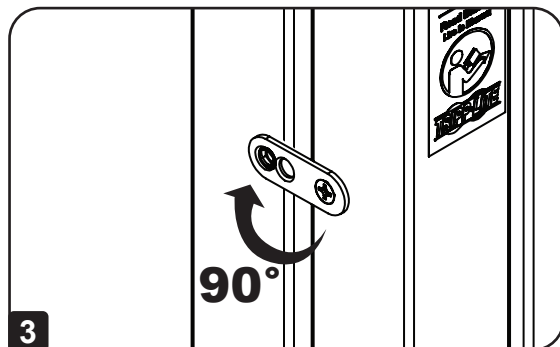
1 Mettre les boîtiers dans la bonne position pour la juxtaposition.



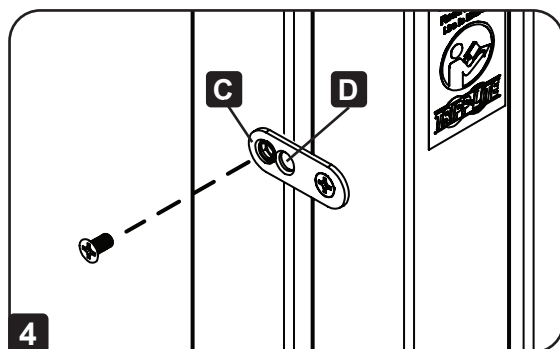
2 Chaque boîtier inclut 4 supports **A** de juxtaposition qui correspondent aux points **B** de connexion pour la juxtaposition sur le boîtier adjacent. Les points de connexion pour la juxtaposition sont déjà dotés de vis. Retirer la vis de chaque point de connexion pour la juxtaposition dans le boîtier adjacent.



3 Desserrer la vis de chaque support de juxtaposition, puis tourner chaque support de 90 degrés vers le boîtier adjacent en alignant chaque support avec le point de connexion pour la juxtaposition correspondant sur le boîtier adjacent.



4 Connecter chaque support au boîtier adjacent en utilisant les vis retirées à l'étape 2, mais ne pas serrer les vis complètement. Ajuster la position des boîtiers au besoin. Pour que les centres des boîtiers soient séparés de 61 cm/24 po (76 cm/29,9 po pour le SR42UBWD), utiliser le trou extérieur du support **C**. Pour que les centres soient séparés de 60 cm/23,6 po (75 cm/29,5 po pour le SR42UBWD), utiliser le trou du milieu du support **D**. Après avoir connecté tous les supports et avoir confirmé que les boîtiers n'ont besoin d'aucun autre réglage, serrer toutes les vis.

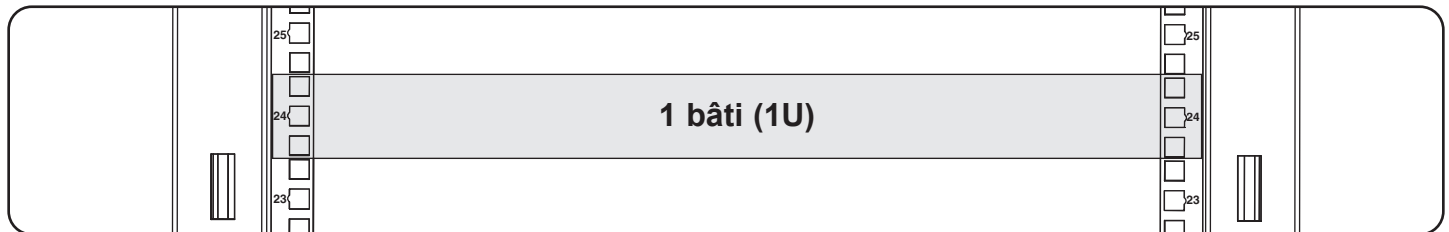


Remarque : Il peut être souhaitable de retirer les portes des boîtiers avant de les combiner. La réinstallation des portes par la suite est facultative. Retirer les panneaux latéraux intérieurs avant de juxtaposer les boîtiers si l'utilisateur souhaite permettre l'accès entre les boîtiers.

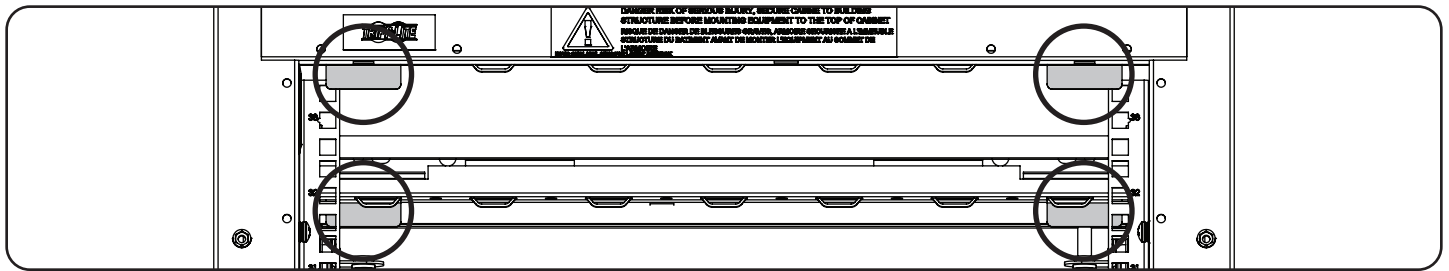
Installation de l'équipement

AVERTISSEMENT : Ne pas installer l'équipement avant d'avoir stabilisé le boîtier. Installer d'abord l'équipement le plus lourd et l'installer dans la partie inférieure du boîtier. Installer l'équipement à partir de la partie inférieure du boîtier en continuant vers le haut du boîtier – jamais le contraire. Si des rails coulissants sont utilisés, faire preuve de prudence au moment de prolonger les rails. Ne pas prolonger les rails de plus d'un ensemble de rails coulissants à la fois. Éviter de prolonger les rails coulissants à proximité de la partie supérieure du boîtier.

Remarque : Les trous carrés au milieu de chaque bâti sont numérotés et incluent également une petite encoche pour aider à l'identification. Un seul bâti inclut l'espace occupé par le trou numéroté et les trous directement au-dessus et en dessous.



Remarque : Avant d'installer l'équipement, retirer les supports comme illustré sur l'image ci-dessous.



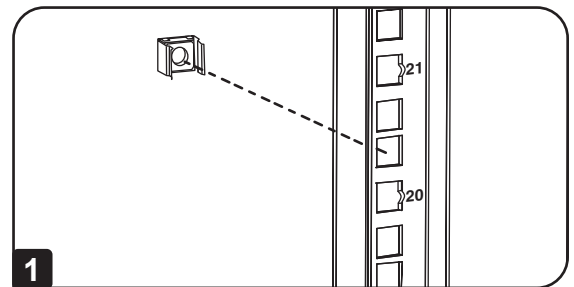
Installer ou retirer les écrous à cage

AVERTISSEMENT : Les brides des écrous à cage devraient engager les côtés de l'ouverture carrée dans le rail et non pas les parties supérieure et inférieure. Suivre les instructions dans la documentation de l'équipement pour assurer une installation adéquate de l'équipement.

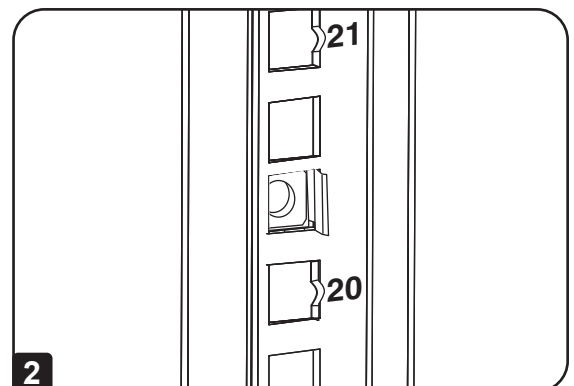
Installer les écrous à cage

- 1 Trouver les ouvertures carrées numérotées dans les rails de montage où l'équipement sera installé. Les écrous à cage (inclus) seront installés dans les ouvertures carrées afin de fournir un point de fixation pour les vis de montage (incluses).

Remarque : Consulter la documentation de l'équipement pour déterminer combien d'écrous à cage seront requis et où ils doivent être installés.

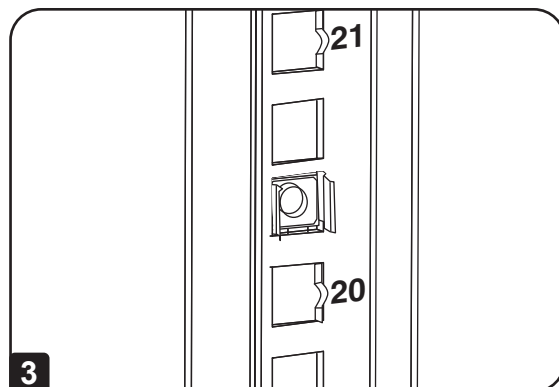


- 2 Depuis l'intérieur du rail de montage, insérer l'une des brides de l'écrou à cage dans l'ouverture carrée. La presser contre le côté de l'ouverture carrée. Chaque bride devrait engager un côté de l'ouverture carrée et non pas la partie supérieure ou inférieure.



Installation de l'équipement

- 3** Comprimer légèrement l'écrou à cage sur les côtés pour permettre à la bride restante de passer à travers l'ouverture carrée. Une fois l'écrou à cage correctement installé, les deux brides dépasseront de l'ouverture carrée et seront visibles sur la surface extérieure du rail de montage. Répéter les étapes 1 à 3 jusqu'à ce que tous les écrous à cage requis soient installés.

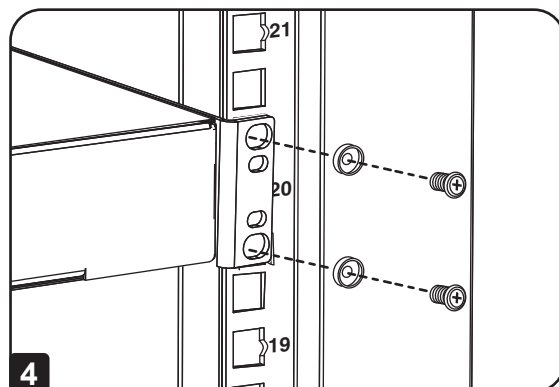


- 4** Après avoir posé les écrous à cage requis, utiliser les vis de montages incluses et les rondelles à collerette pour fixer votre équipement au rail du support. Placer les rondelles à collerettes entre les vis et les supports de montage de l'équipement.

Remarque : L'équipement peut également inclure des pièces de montage. Lire les instructions de montage fournies avec l'équipement avant d'installer l'équipement.

Pour retirer les écrous à cage, effectuer les étapes 1 à 3 dans l'ordre inverse.

Remarque : Il peut être souhaitable d'utiliser un outil pour écrou à cage (fourni par l'utilisateur) pour aider à la poser et la dépose des écrous à cage.



Caractéristiques techniques

Modèle	Capacité de charge*		Dimensions de l'appareil				Dimensions à l'expédition			
	Statique	Sur roulettes	Hauteur	Largeur	Profondeur	Poids	Hauteur	Largeur	Profondeur	Poids
SR25UBAC	1 363 kg (3 000 lb)	1 022 kg (2 250 lb)	1 243 mm (49 po)	600 mm (23,63 po)	1 092 mm (43 po)	88,5 kg (195 lb)	1 359 mm (53,5 po)	610 mm (24 po)	1 092 mm (43 po)	107,5 kg (237 lb)
SR33UBAC	1 363 kg (3 000 lb)	1 022 kg (2 250 lb)	1 600 mm (63 po)	600 mm (23,63 po)	1 092 mm (43 po)	118 kg (260 lb)	1 715 mm (67,5 po)	610 mm (24 po)	1 092 mm (43 po)	137 kg (302 lb)

Entreposage et entretien

Entreposage

Le boîtier doit être entreposé dans un environnement intérieur contrôlé, à l'écart de l'humidité, des températures extrêmes, des liquides et des gaz inflammables, des contaminants conducteurs, de la poussière et de la lumière directe du soleil. Entreposer le boîtier dans son conteneur d'expédition original si possible.

Entretien

Le produit Tripp Lite est couvert par la garantie décrite dans ce manuel. Une variété de programmes de garantie prolongée et de service d'entretien sont également offerts par Tripp Lite. Pour obtenir plus de renseignements sur le service, visiter tripplite.com/support. Avant de retourner le produit pour la réparation, procéder comme suit :

1. Passer en revue les procédures d'installation et de fonctionnement dans ce manuel afin de vous assurer que le problème ne provient pas d'une mauvaise interprétation des instructions.
2. Si le problème persiste, ne pas communiquer avec le fournisseur et ne pas lui renvoyer le produit. Visiter plutôt tripplite.com/support.
3. Si le problème nécessite une réparation, visiter tripplite.com/support et cliquer sur le lien de retours de produit. À partir de ce point, il est possible de demander une autorisation de retour de matériel (RMA) qui est requise pour le service. Ce simple formulaire en ligne demandera le modèle de l'appareil et le numéro de série, ainsi que d'autres informations générales. Le numéro RMA ainsi que des instructions d'expédition seront envoyés par courriel. Les dommages (directs, indirects, particuliers ou consécutifs) encourus par le produit lors du transport à Tripp Lite ou à un service autorisé Tripp Lite ne sont pas couverts par la garantie. Les frais liés au transport des produits expédiés à Tripp Lite ou à un centre de service autorisé Tripp Lite doivent être entièrement payés d'avance. Inscrire le numéro de RMA à l'extérieur de l'emballage. Si le produit est dans sa période de garantie, joindre une copie du reçu de caisse. Retourner le produit pour réparation par un transporteur assuré à l'adresse fournie lors de la demande de « RMA ».

Garantie

Garantie limitée de 5 ans


Le vendeur garantit que ce produit, s'il est utilisé conformément à toutes les instructions applicables, est exempt de tous défauts de matériaux et de fabrication pour une période de 5 ans à partir de la date d'achat initiale. Si le produit s'avère défectueux en raison d'un vice de matériaux ou de fabrication au cours de cette période, le vendeur s'engage à réparer ou à remplacer le produit, à sa seule discrétion.

CETTE GARANTIE NE S'APPLIQUE PAS À L'USURE NORMALE OU AUX DOMMAGES RÉSULTANT D'UNE MAUVAISE UTILISATION, D'UN ABUS OU D'UNE NÉGLIGENCE. LE VENDEUR N'ACCORDE AUCUNE GARANTIE EXPRESSE AUTRE QUE LA GARANTIE EXPRESSÉMENT DÉCRITE DANS LE PRÉSENT DOCUMENT. SAUF DANS LA MESURE OÙ CELA EST INTERDIT PAR LA LOI EN VIGUEUR, TOUTE GARANTIE IMPLICITE, Y COMPRIS TOUTES LES GARANTIES DE QUALITÉ MARCHANDE OU D'ADAPTATION, EST LIMITÉE À LA PÉRIODE DE GARANTIE CI-DESSUS ET CETTE GARANTIE EXCLUT EXPRESSÉMENT TOUS DOMMAGES DIRECTS ET INDIRECTS. (Certains États ne permettent pas de limitations sur la durée d'une garantie implicite, et certains États ne permettent pas l'exclusion ou la limitation des dommages fortuits ou consécutifs, de sorte que les limitations ou exclusions susmentionnées peuvent ne pas s'appliquer à vous. Cette garantie vous accorde des droits légaux spécifiques, et vous pouvez avoir d'autres droits qui varient d'une compétence à l'autre.)

AVERTISSEMENT : L'utilisateur individuel doit prendre soin de déterminer avant l'utilisation si cet appareil est approprié, adéquat et sûr pour l'usage prévu. Puisque les utilisations individuelles sont sujettes à des variations importantes, le fabricant ne fait aucune déclaration ou garantie quant à l'aptitude ou l'adaptation de ces dispositifs pour une application spécifique.

La politique de Tripp Lite en est une d'amélioration continue. Les caractéristiques techniques sont modifiables sans préavis. Les produits réels peuvent différer légèrement des photos et des illustrations.

Remarque au sujet de l'étiquetage

Ce symbole est utilisé sur le produit : 

Connexion à la terre



Руководство пользователя

Шкафы SmartRack® под кондиционеры SRCOOL3KTR, монтируемые в верхней части шкафа

Модели: SR25UBAC, SR33UBAC

(Номера серий: AGAC7006, AG-0676)

Важные указания по технике безопасности	56	Компоновка шкафа	63
Краткое описание	57	Установка/снятие передней и задние дверцы	63
Схема расположения функциональных элементов	58	Перестановка передней дверцы	64
Порядок установки шкафа	59	Установка/снятие боковых панелей	66
Подготовка	59	Регулировка монтажных и кабельных направляющих	67
Распаковка	59	Совмещение шкафов (установка в ряд)	68
Размещение	61	Установка оборудования	69
Выравнивание	61	Установка/снятие закладных гаек	69
Заземление	62	Технические характеристики	70
		Хранение и техническое обслуживание	71
		Гарантийные обязательства	72

English 1 • Español 19 • Français 37

EAC

TRIPP·LITE



1111 W. 35th Street, Chicago, IL 60609 USA • triplite.com/support

Охраняется авторским правом © 2022 Tripp Lite. Перепечатка запрещается.



СОХРАНИТЕ НАСТОЯЩИЕ УКАЗАНИЯ

Во всех разделах настоящего руководства содержатся указания и предупреждения, которые необходимо соблюдать в процессе установки и эксплуатации описанных в нем шкафов серии SmartRack. Внимательно ознакомьтесь со всеми указаниями и предупреждениями перед выполнением любых действий, связанных с перемещением, установкой или эксплуатацией шкафов серии SmartRack, описанных в настоящем руководстве. Несоблюдение данного требования создаст опасность получения травм или возникновения имущественного ущерба и может привести к аннулированию гарантии.

- Шкаф должен находиться в помещении с контролируемым микроклиматом вдали от источников влаги, экстремальных температур, воспламеняющихся жидкостей и газов, электропроводных загрязнителей, пыли и прямого солнечного света.
- Перед шкафом и позади него необходимо обеспечить достаточно свободного пространства для его надлежащего проветривания. Не загромождайте и не накрывайте внешние вентиляционные отверстия шкафа, а также не вставляйте в них какие-либо предметы.
- Шкаф является крайне тяжеловесным. При перемещении шкафа соблюдайте осторожность. Не пытайтесь распаковывать, перемещать или устанавливать его в одиночку. Для перемещения шкафа внутри транспортировочного контейнера используйте механическое устройство типа вилочного погрузчика или вилочной гидравлической тележки.
- Осмотрите транспортировочный контейнер и шкаф на предмет наличия повреждений, полученных при транспортировке. Не пользуйтесь шкафом в случае его повреждения.
- Не извлекайте шкаф из транспортировочного контейнера до его перемещения на максимально близкое расстояние к месту окончательной установки. Ролики предназначены только для незначительных корректировок положения на месте окончательной установки. Ролики не рассчитаны на перемещение шкафа на большие расстояния.
- Ролики также не рассчитаны на долговременное использование в качестве опоры для шкафа после его окончательной установки. В качестве долговременной опоры используйте приспособления для выравнивания.
- Шкаф должен быть установлен в конструкционно прочном месте с ровным основанием, способным выдерживать вес самого шкафа, всего оборудования, которое будет установлено внутри него, а также любых других шкафов и/или оборудования, которые будут установлены вблизи него.
- Прочно установите шкаф на строительную конструкцию с помощью транспортировочных кронштейнов, как показано на рисунке в разделе **Порядок установки шкафа** данного руководства.
- При перемещении шкафа не следует толкать его со стороны боковых панелей. При толкании корпуса со стороны боковых панелей существует опасность его опрокидывания.
- При перекатывании шкафа на роликах обязательно толкайте его сзади и ни в коем случае не тяните на себя.
- Перекатывание шкафа без надлежащего контроля может привести к причинению травм или имущественного ущерба. При необходимости скатывания шкафа вниз по наклонной плоскости соблюдайте предельную осторожность. Не пользуйтесь наклонными плоскостями с уклоном круче 1:12.
- При разрезании упаковочных материалов соблюдайте осторожность. Это может привести к нанесению царапин на поверхность шкафа, что представляет собой ущерб, не покрываемый действующей гарантией.
- Сохраняйте все упаковочные материалы для последующего использования. Повторная упаковка и транспортировка шкафа без использования оригинальных упаковочных материалов может привести к повреждению изделия, которое повлечет за собой аннулирование действующей гарантии.
- Не допускается последующая транспортировка шкафа с дополнительным оборудованием за исключением случаев первоначальной поставки шкафа со специальным ударозащищенным поддоном (только для моделей SP1). Суммарный вес шкафа и установленного в нем оборудования не должен превышать грузоподъемность поддона. Компания Tripp Lite не несет ответственности за какой-либо ущерб, причиненный в процессе последующей транспортировки.

Важные указания по технике безопасности



- Не рекомендуется использование данного оборудования в системах жизнеобеспечения, где его выход из строя предположительно может привести к перебоям в работе оборудования жизнеобеспечения или в значительной мере снизить его безопасность или эффективность.
- ОПАСНОСТЬ: ВО ИЗБЕЖАНИЕ ПОТЕРИ УСТОЙЧИВОСТИ УСТАНОВКА ШКАФОВ ДОЛЖНА ПРОИЗВОДИТЬСЯ ТОЛЬКО КВАЛИФИЦИРОВАННЫМ СЕРВИСНЫМ ПЕРСОНАЛОМ.
- ОПАСНОСТЬ: ВО ИЗБЕЖАНИЕ ТЯЖЕЛЫХ ТРАВМ ПРИКРЕПИТЕ ШКАФ К КОНСТРУКЦИОННОМУ ЭЛЕМЕНТУ ЗДАНИЯ ПЕРЕД МОНТАЖОМ ОБОРУДОВАНИЯ В ВЕРХНЕЙ ЧАСТИ ШКАФА.

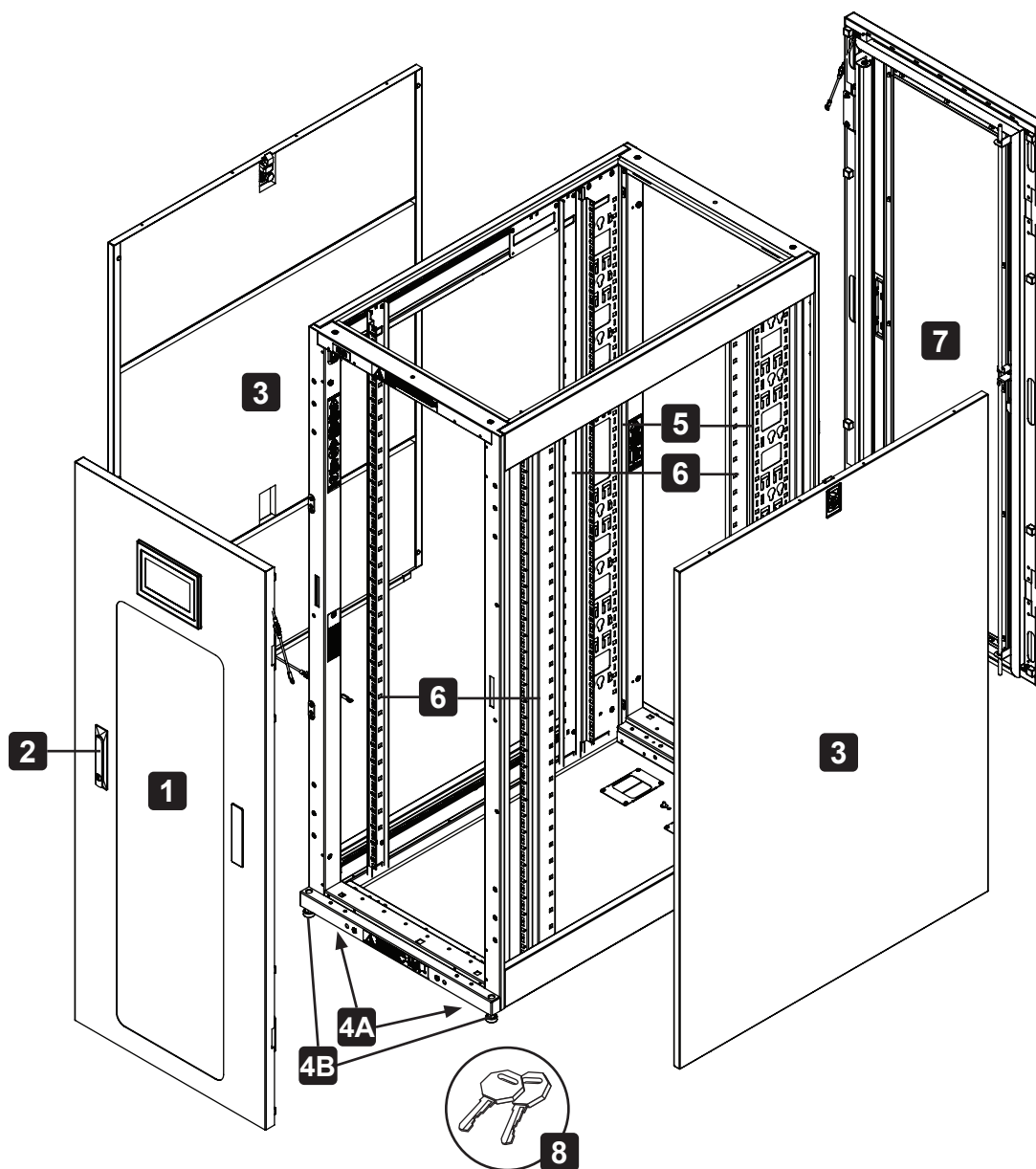
Краткое описание

Шкафы семейства SmartRack вмещают в себя все стандартное 19-дюймовое оборудование независимо от его производителя и поставляются полностью в сборе для обеспечения скорости и легкости ввода в эксплуатацию.

Настенные шкафы мод. SR25UBAC и SR33UBAC специально предназначены для использования с автономным кондиционером мод. SRCOOL3KTP, монтируемым в верхней части шкафа.

Шкафы мод. SR25UBAC и SR33UBAC имеют регулируемую глубину монтажа, что идеально подходит для установки серверов. Встроенная оснастка для установки в ряд обеспечивает возможность экономичного, планомерного и эффективного расширения. Оба шкафа комплектуются герметичными передними и задними дверцами, имеющими окошки из материала Plexiglas, и боковыми панелями с теплоизоляцией для повышения энергоэффективности и качества охлаждения, а также удобства технического обслуживания и облегчения доступа. Для обеспечения дополнительной безопасности передняя и задняя дверцы оснащаются замками многоточечного запираения с защелкой.

Схема расположения функциональных элементов



На иллюстрации показана модель SR33UBAC.

- 1** Герметичная передняя дверца с окошком из материала Plexiglas
- 2** Замки многоточечного запирания с защелкой
- 3** Запираемые боковые панели с теплоизоляцией
- 4** Ролики **A** и регулировочные ножки **B**
- 5** Направляющие для оптимизации кабельных соединений
- 6** Монтажные направляющие (с точками крепления для горизонтального и вертикального монтажа оборудования)
- 7** Герметичная задняя дверца с окошком из материала Plexiglas
- 8** Ключи

Порядок установки шкафа



Внимание!



Перед установкой внимательно ознакомьтесь со всеми указаниями и предупреждениями!

ВНИМАНИЕ! Шкаф является крайне тяжеловесным. Не пытайтесь распаковывать, перемещать или устанавливать шкаф в одиночку. До момента надлежащей установки и уравнивания шкафа существует опасность его опрокидывания с возможным причинением травм и/или имущественного ущерба. Будьте предельно осторожны при перемещении шкафа и обязательно следуйте всем указаниям по обращению со шкафом и его установке. Не производите установку оборудования в шкаф до обеспечения его устойчивости.

Подготовка

Шкаф должен быть установлен в конструкционно прочном месте с ровным основанием, способным выдерживать вес самого шкафа, всего оборудования, которое будет установлено внутри него, а также любых других шкафов и/или оборудования, которые будут установлены вблизи него. Перед распаковкой шкафа следует доставить транспортировочный контейнер как можно ближе к месту окончательной установки с целью минимизации расстояния, на которое потребуется перемещать модуль после снятия защитной упаковки. Если вы планируете хранение шкафа в течение длительного периода времени до или после установки, следуйте указаниям, изложенным в разделе **Хранение и техническое обслуживание**.

Вам потребуются несколько инструментов (в комплект поставки не входят):

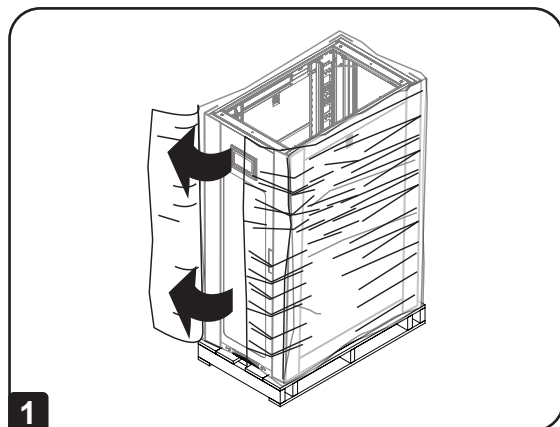
- Ключ гаечный на 13 мм
- Ключ гаечный на 18 мм
- Универсальный нож
- Строительный уровень
- Крестообразная отвертка
- Шлицевая отвертка
- Торцевой ключ 5/32"

Кроме того, потребуется следующая оснастка (поставляется в комплекте):

- Винты крепежные с крестообразным шлицем (M6 x 5/8") – 50 шт.
- Гайки закладные (M6) – 50 шт.
- Шайбы чашеобразные нейлоновые – 50 шт.

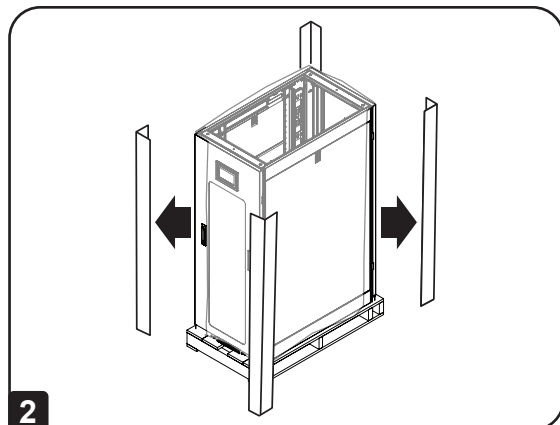
Распаковка

1 Убедитесь в том, что транспортировочный контейнер находится в устойчивом вертикальном положении, после чего с помощью универсального ножа разрежьте усадочную пленку, фиксирующую угловые амортизаторы. Во избежание нанесения царапин на поверхность шкафа или разрезания плотного защитного полиэтиленового мешка под усадочной пленкой проводите лезвием ножа непосредственно по поверхности угловых амортизаторов. **ВНИМАНИЕ!** Не наносите царапин на поверхность шкафа и не разрезайте плотный полиэтиленовый мешок, расположенный под усадочной пленкой. Не толкайте шкаф и не тяните его на себя в процессе распаковки.

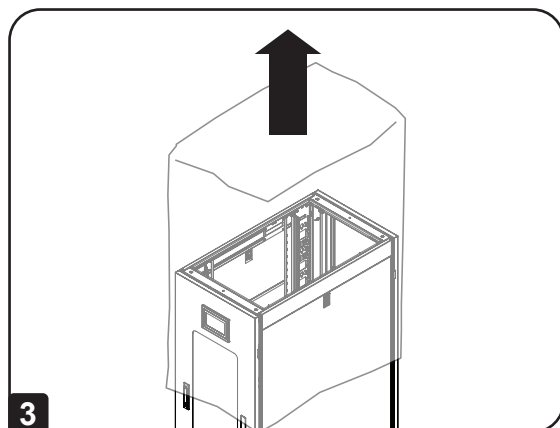


Порядок установки шкафа

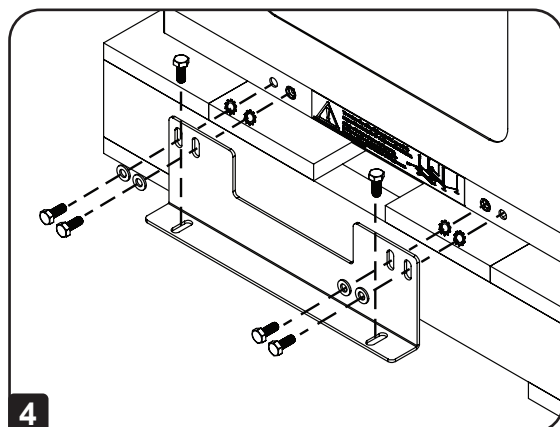
2 Снимите угловые амортизаторы. Сохраните все упаковочные материалы (включая поддон) для последующего использования, если вы не убеждены в том, что они более не потребуются. Упаковочные материалы подлежат вторичной переработке.



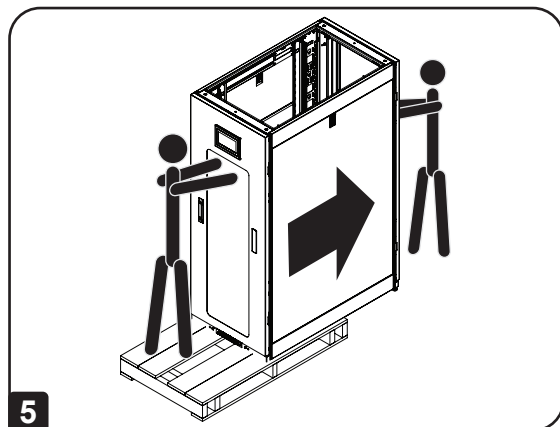
3 Снимите со шкафа плотный полиэтиленовый мешок. Осмотрите шкаф на предмет наличия каких-либо повреждений или незакрепленных деталей. Убедитесь в наличии всех деталей. В случае отсутствия или повреждения каких-либо деталей обратитесь за помощью в компанию Tripp Lite. Не пользуйтесь шкафом в случае его повреждения.



4 Найдите 2 транспортировочных кронштейна **A**, с помощью которых он прикреплен к транспортировочному поддону. Снимите транспортировочные кронштейны с помощью рожкового гаечного ключа на 13 мм. Соблюдайте предельную осторожность, поскольку после снятия кронштейна возможно непредвиденное перемещение шкафа. Сохраните кронштейны и детали для их крепления с целью последующего использования.



5 По меньшей мере один человек должен находиться перед шкафом и один человек — позади него. Медленно толкайте шкаф в сторону задней части транспортировочного поддона до тех пор, пока все четыре ролика не выйдут за край поддона и не коснутся пола. **ВНИМАНИЕ!** Для снятия шкафа с поддона требуется не менее двух человек. При перемещении шкафа соблюдайте предельную осторожность.



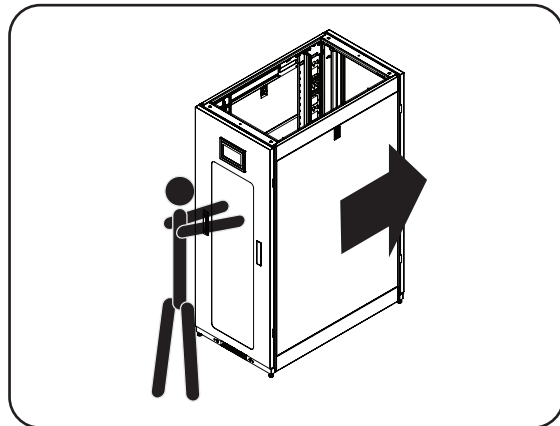
Порядок установки шкафа

Размещение

Ролики предназначены для перемещения шкафа на короткое расстояние по ровной, гладкой и устойчивой поверхности путем толкания последнего спереди или сзади (не со стороны боковых панелей). Не перекачивайте шкаф на длинные расстояния. Шкаф следует доставить как можно ближе к месту его установки внутри транспортировочного контейнера в упакованном виде. (Для перемещения транспортировочного контейнера используйте вилочный погрузчик или вилочную гидравлическую тележку).

ВНИМАНИЕ! Не толкайте и не тяните шкаф со стороны боковых панелей, а также не тяните его на себя.

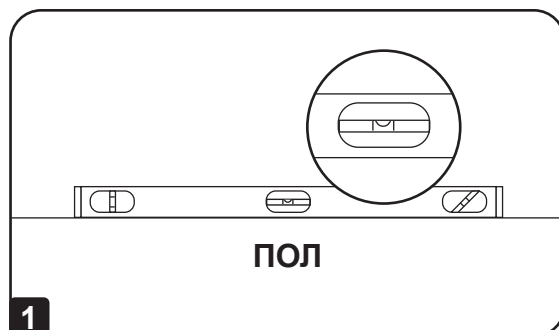
При необходимости шкаф можно приподнять путем ввертывания 4 рым-болтов диаметром М8 (в комплект поставки не входят) в резьбовые отверстия вблизи верхних углов каркаса шкафа. Для этой цели следует использовать стальные болты с классом прочности по ISO не ниже 8.8. 4 таких болта способны выдерживать вес шкафа и до 450 кг установленного в нем оборудования. **ВНИМАНИЕ! Подъем шкафа должен осуществляться только опытными специалистами по обслуживанию оборудования. Следуйте всем применимым к данному случаю указаниям по технике безопасности и нормативным предписаниям, используя для этого соответствующее оборудование и оснастку.**



Выравнивание

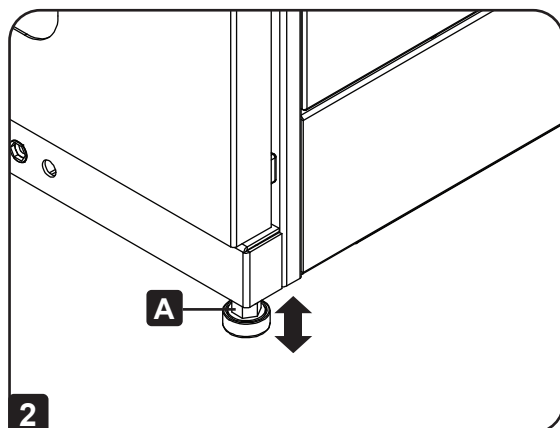
ВНИМАНИЕ! Выровняйте шкаф перед установкой в него оборудования. Ролики также не рассчитаны на долговременное использование в качестве опоры для шкафа. В качестве долговременной опоры используйте приспособления для выравнивания. Шкаф должен быть установлен в конструкционно прочном месте с ровным основанием, способным выдерживать вес самого шкафа, всего оборудования, которое будет установлено внутри него, а также любых других шкафов и/или оборудования, которые будут установлены вблизи него.

- 1 После перемещения шкафа к месту установки проверьте уклон пола с помощью строительного уровня. Если уклон пола превышает 1%, выберите для установки другое место.



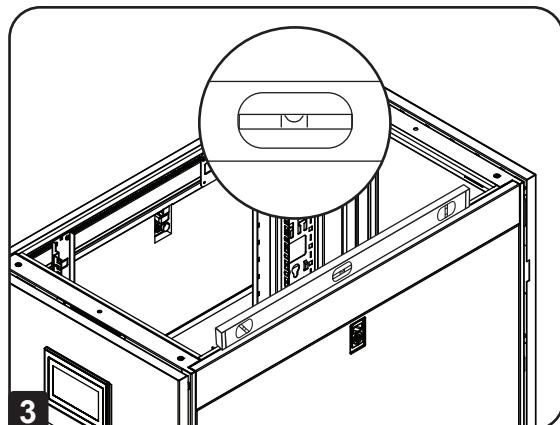
- 2 При помощи рожкового ключа на 18 мм выверните каждое приспособление для выравнивания **A** до его соприкосновения с полом. (Шкаф имеет 4 приспособления для выравнивания – по 2 спереди и сзади). Убедитесь в том, что каждое из них плотно соприкасается с полом.

Примечание Для вывертывания (опускания) приспособления для выравнивания его следует вращать по часовой стрелке, а для заворачивания (поднимания) – против часовой стрелки.

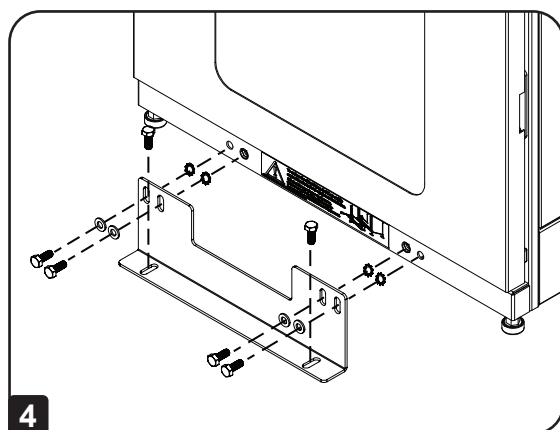


Порядок установки шкафа

- 3** После вывертывания каждого приспособления для выравнивания проверяйте с помощью строительного уровня, чтобы шкаф располагался ровно во всех направлениях. Регулируйте высоту приспособлений для выравнивания по мере необходимости до тех пор, пока шкаф не будет установлен ровно.

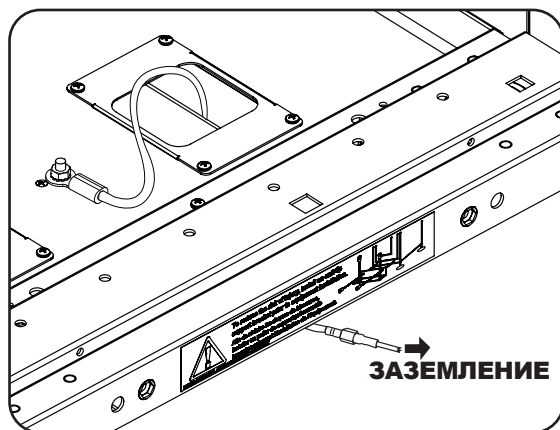


- 4** Для крепления шкафа к строительной конструкции с целью обеспечения устойчивости прикрепите 3 транспортировочных кронштейна с помощью крепежных приспособлений, использовавшихся для крепления шкафа к транспортировочному поддону. С помощью рожкового ключа на 13 мм закрепите кронштейны в передних и задних точках крепления кронштейнов к шкафу. Закрепите кронштейны в точках монтажного крепления к полу при помощи оснастки (в комплект не входит) или предлагаемого компанией Tripp Lite комплекта для крепления шкафов SmartRack к полу (модель: SRBOLTDOWN).



Заземление

Все детали шкафа заземляются через его каркас. Для прямого подключения к заземлению своего объекта используйте нижнюю панель шкафа с маркированным заземляющим контактом М6 и заземляющий провод (в комплект поставки не входит). Для обеспечения беспрепятственного открывания дверцы **A** проведите заземляющий провод через щетки в панели под каркасом шкафа. **ВНИМАНИЕ! Каждый шкаф должен подсоединяться к шине заземления по отдельности. Пользование незаземленным шкафом не допускается.**



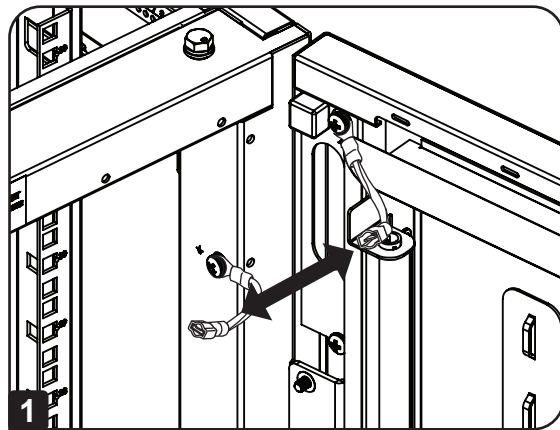
Компоновка шкафа

Установка/снятие передней и задней дверец

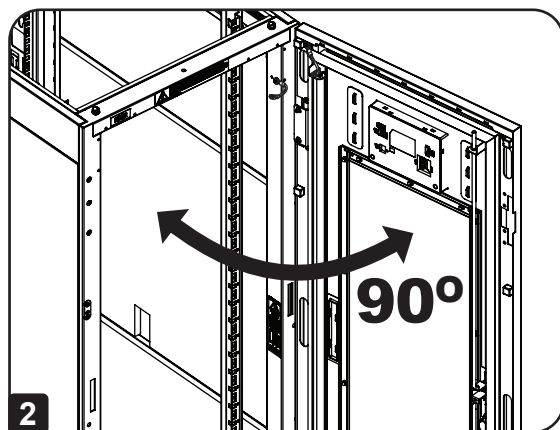
ВНИМАНИЕ! Не пытайтесь навешивать и снимать дверцы шкафа в одиночку

Снятие дверцы

1 Отсоедините провод заземления дверцы.



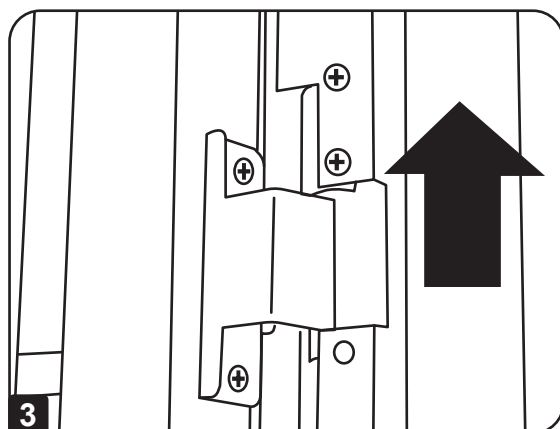
2 Откройте дверцу до того положения, в котором она окажется перпендикулярной (под углом 90 градусов к) передней плоскости шкафа.



3 Поднимите дверцу и снимите ее с петель шкафа.

Для установки дверцы на место следует повторить шаги 1-3 в обратном порядке

(Опционально) Если этот шкаф соединен с другим шкафом, поверните дверцу обратно в сторону шкафа при ее снятии с петель.



Компоновка шкафа

Перестановка передней дверцы

ВНИМАНИЕ! Не пытайтесь переворачивать переднюю дверцу в одиночку.

1 Снимите дверцу в порядке, изложенном в предыдущем разделе.

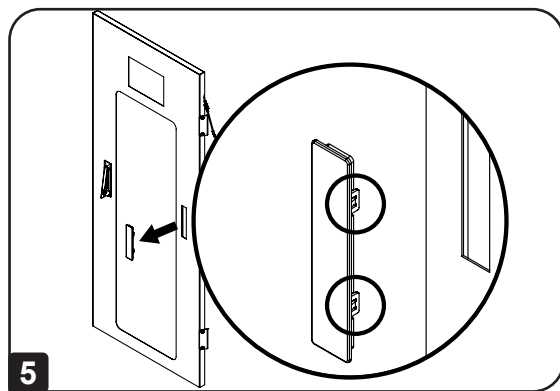
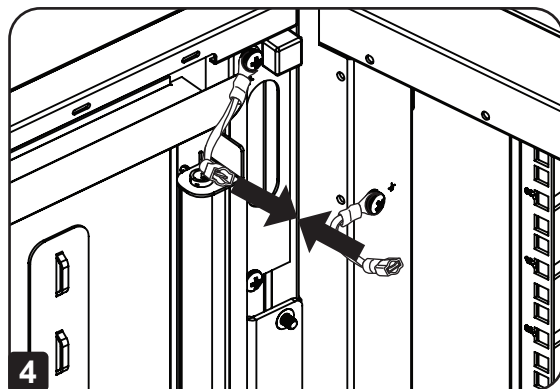
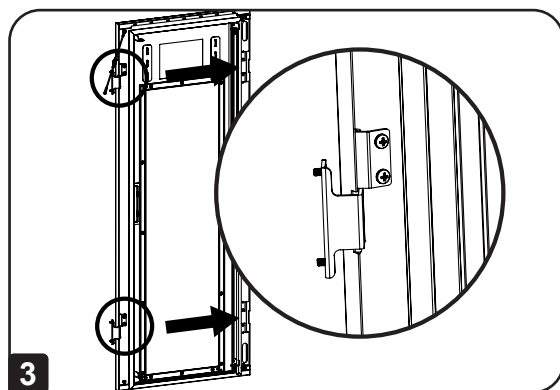
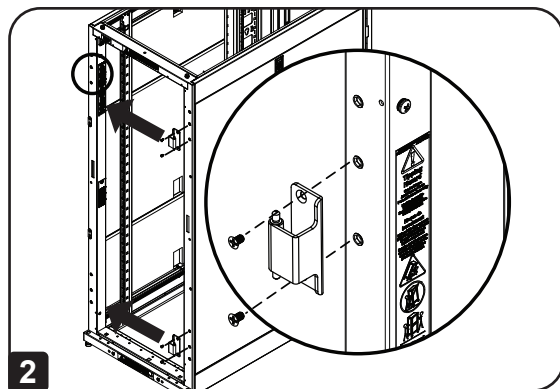
2 Снимите со шкафа дверные петли и прикрепите их с противоположной стороны шкафа.

Примечание. В точках крепления дверных петель на противоположной стороне находятся пластмассовые заглушки, вставленные в резьбовые отверстия. Выньте заглушки и вставьте их в отверстия, первоначально использовавшиеся для крепления дверных петель.

3 Выверните 2 петлевых механизма из петлевых пазов с внутренней стороны дверцы и закрепите каждый из них, используя для этой цели группу резьбовых отверстий, расположенную непосредственно напротив тех, которые использовались первоначально.

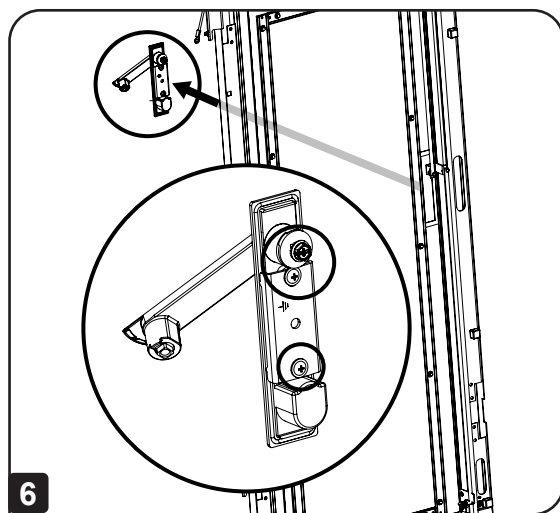
4 Не забудьте подсоединить провод заземления к внутренней поверхности дверцы в точке крепления, расположенной ближе всех к петле в верхней части дверцы. Точка крепления обозначена символом заземления: ⊕. Поднимите дверцу из петель и снимите ее с шкафа.

5 Снимите накладку дверной ручки, осторожно вытолкнув язычки с помощью плоской отвертки.

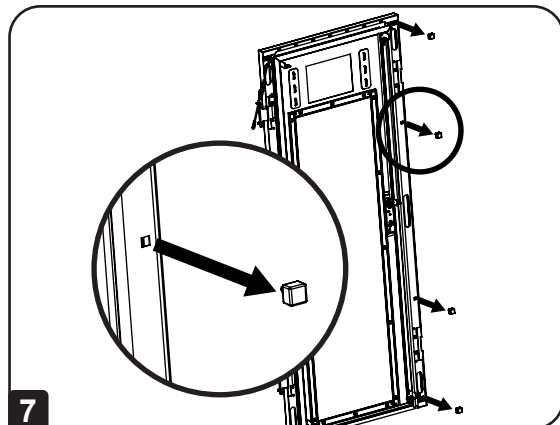


Компоновка шкафа

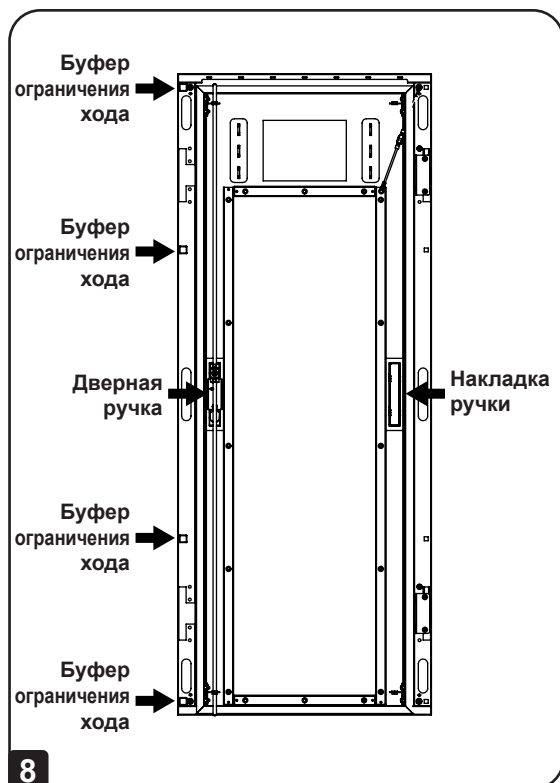
- 6** Снимите дверную ручку, вывернув крестообразной отверткой три винта, удерживающих ее на месте.



- 7** Снимите буферы ограничения хода дверцы.



- 8** Снова установите элементы 5-7 с противоположной стороны дверцы (**СЛЕВА, а не СПРАВА**).

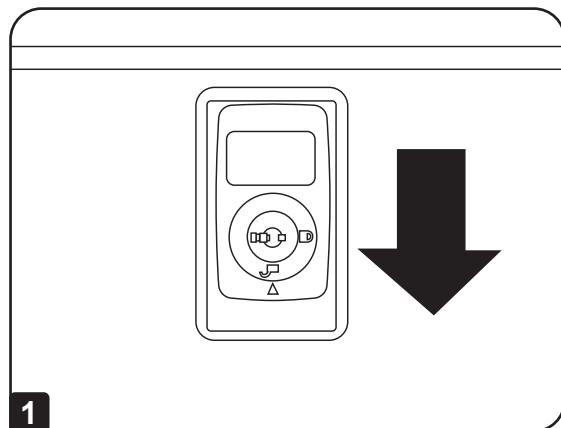


Компоновка шкафа

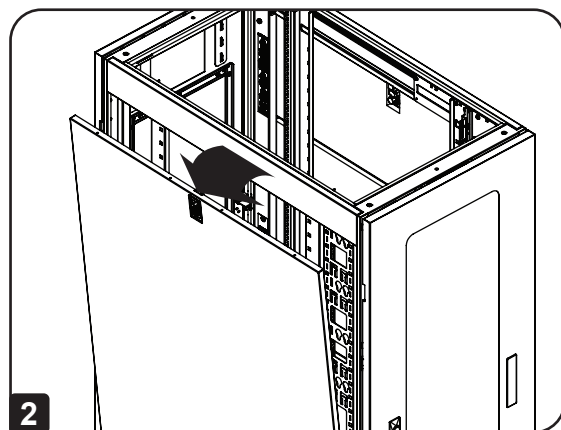
Установка/снятие боковых панелей

Снятие боковой панели

1 Откройте защелку, сдвинув ее по направлению вниз.



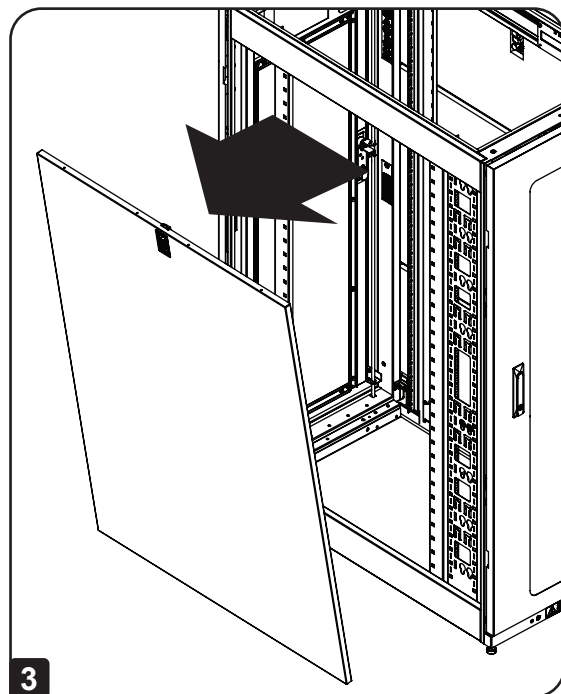
2 Наклоните верхнюю часть панели по направлению от шкафа.



3 Выньте панель из фиксатора.

4 Отсоедините провод заземления панели при наличии такового.

Для установки боковой панели на место повторите шаги 1-4 в обратном порядке



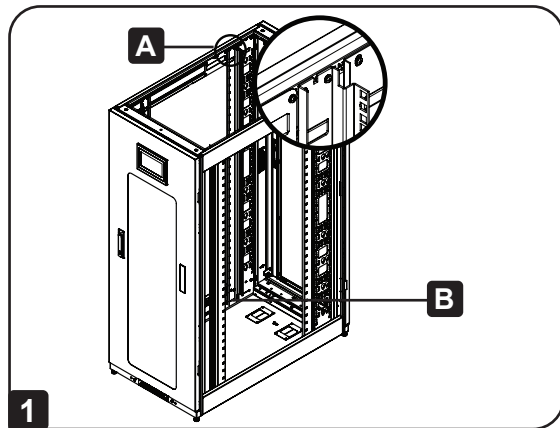
Компоновка шкафа

Регулировка монтажных и кабельных направляющих

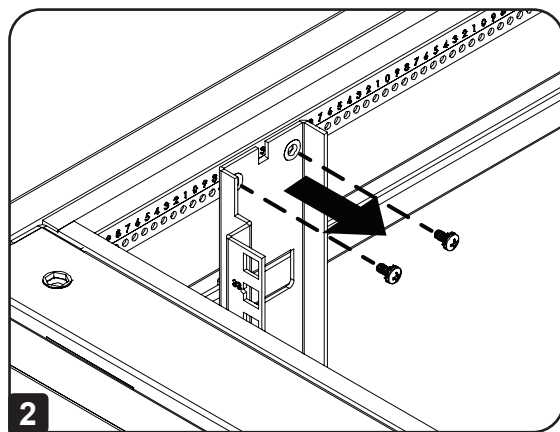
ВНИМАНИЕ! Не пытайтесь регулировать направляющие в одиночку. Не пытайтесь регулировать направляющие при установленном в шкаф оборудовании. Не пытайтесь использовать направляющие без установки винтов (по 6 на каждую направляющую).

4 монтажные направляющие устанавливаются на заводе-изготовителе и рассчитаны на размещение оборудования с монтажной глубиной 30" (762 мм). Не регулируйте монтажные направляющие за исключением тех случаев, когда для устанавливаемого вами оборудования требуется другая монтажная глубина. Передняя и задняя группы направляющих могут регулироваться независимо друг от друга с шагом 6 мм для получения глубины монтажа от 101,6 до 1066,8 мм.

- 1** Каждая направляющая крепится к шкафу при помощи 4 винтов: одной пары у верхней балки **A** и одной пары у нижней балки **B**.

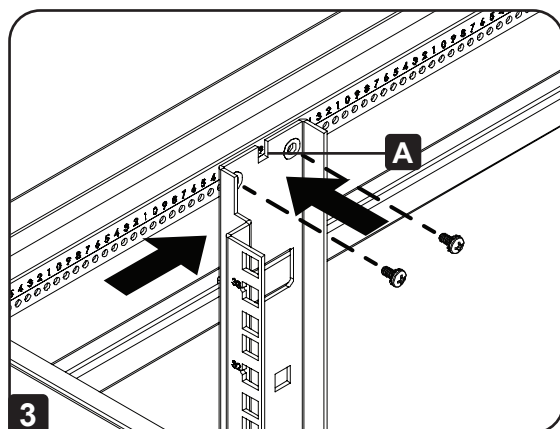


- 2** Выверните винты, которыми каждая из задних монтажных направляющих крепится к шкафу. (При необходимости регулировки передних направляющих вы также можете вывернуть винты, отвечающие за их крепление).



- 3** Сдвиньте монтажные направляющие на желаемую глубину и снова закрепите их с помощью винтов, вывернутых на Шаге 2. Точки крепления направляющих обозначены цифрами **A**, что поможет установить каждую пару направляющих на одной и той же глубине.

Глубина установки двух направляющих для оптимизации кабельных соединений регулируется аналогичным образом.

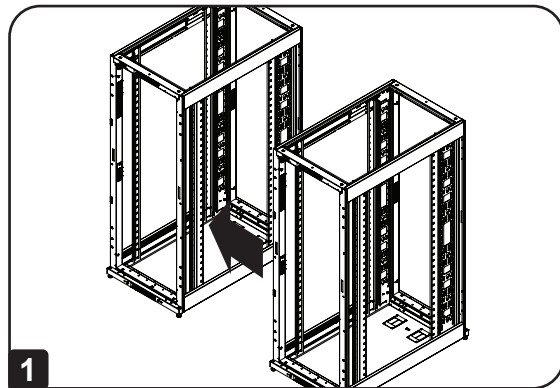


Компоновка шкафа

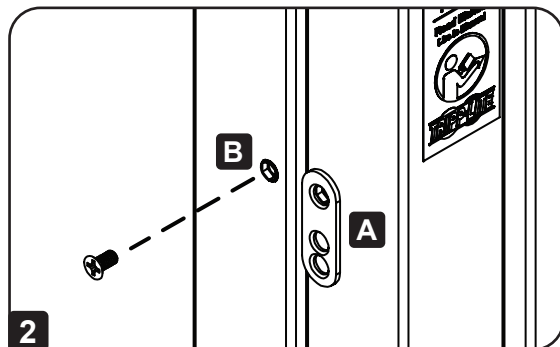
Совмещение шкафов (установка в ряд)

ВНИМАНИЕ! Объединение шкафов не может служить заменой обеспечению их устойчивости. Каждый шкаф, установленный в ряд с объединенными с ним шкафами, требует тех же действий по обеспечению устойчивости, что и отдельно стоящий шкаф.

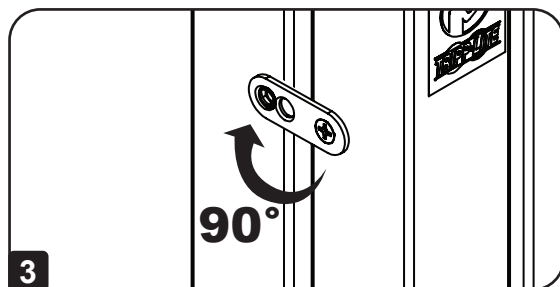
1 Расположите шкафы таким образом, чтобы они могли быть установлены в ряд.



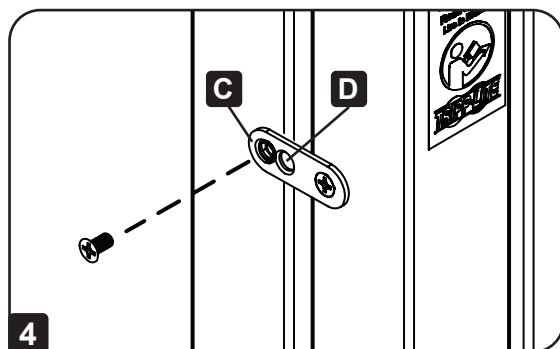
2 Каждый шкаф оснащен 4 скобами для секционирования **A**, соответствующими точкам секционирования **B** на соседнем шкафу. В точках секционирования уже находятся крепежные винты. Выверните винт из каждой точки секционирования в соседнем шкафу.



3 Ослабьте все винты, обеспечивающие крепление скоб для секционирования, и поверните каждую из них на 90 градусов в сторону соседнего шкафа, совместив каждую скобу с соответствующей точкой секционирования на соседнем шкафу.



4 Присоедините каждую скобу к соседнему шкафу с помощью винтов, вывернутых на шаге 2, но не затягивайте винты полностью. При необходимости отрегулируйте положение шкафов. Если расстояние между центрами шкафов должно составлять 61 см (76 см для модели SR42UBWD), используйте внешнее отверстие скобы **C**. Если расстояние между центрами шкафов должно составлять 60 см (75 см для модели SR42UBWD), используйте среднее отверстие скобы **D**. Присоединив все скобы и убедившись в том, что шкафы не нуждаются в дальнейшей корректировке положения, затяните все винты.

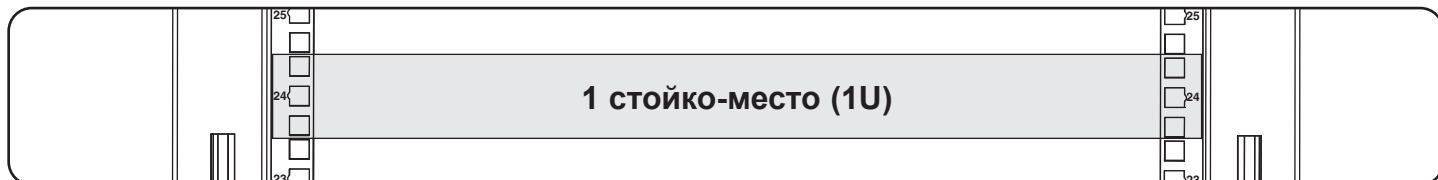


Примечание. При желании перед объединением шкафов можно снять дверцы. Последующая установка дверец на место не является обязательной. Если вы желаете обеспечить возможность свободного перемещения между шкафами, то перед их установкой в ряд следует демонтировать внутренние боковые панели.

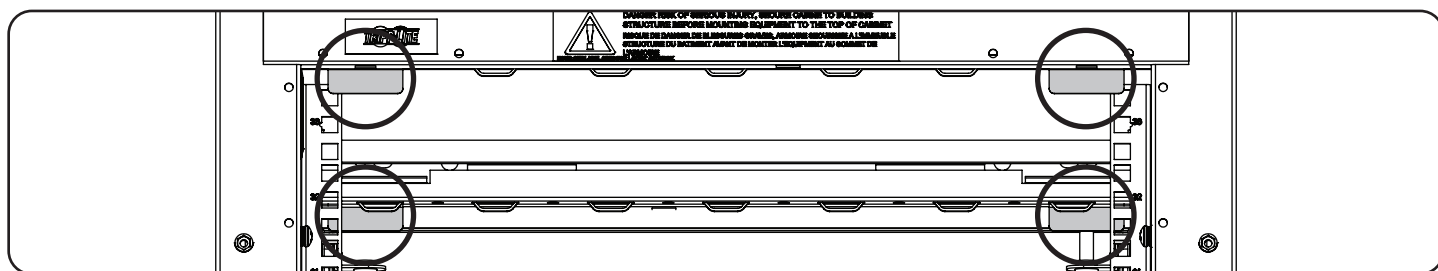
Установка оборудования

ВНИМАНИЕ! Не устанавливайте оборудование до обеспечения устойчивости шкафа. Сначала установите оборудование, которое следует разместить в нижней части шкафа. Устанавливайте оборудование начиная с низа шкафа по направлению вверх — и ни в коем случае не наоборот. При использовании направляющих для установки оборудования соблюдайте осторожность при их выдвигании. Не выдвигайте более одной группы направляющих одновременно. Старайтесь не выдвигать направляющие для установки оборудования, расположенные в верхней части шкафа.

Примечание. Квадратные отверстия в середине каждого шкафа пронумерованы и имеют небольшую надсечку для удобства распознавания. В каждом отдельном шкафу имеется место, где располагается нумерованное отверстие и отверстия, находящиеся непосредственно над и под ним.



Примечание. Перед установкой оборудования снимите скобы, как показано на изображении ниже.



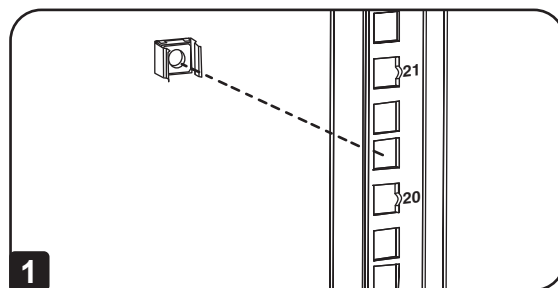
Установка/снятие закладных гаек

ВНИМАНИЕ! Отгибы кромок закладных гаек должны зацепляться за боковые, а не верхний и нижний края квадратного отверстия в направляющей. Для обеспечения правильности установки оборудования следуйте указаниям, изложенным в сопроводительной документации к нему.

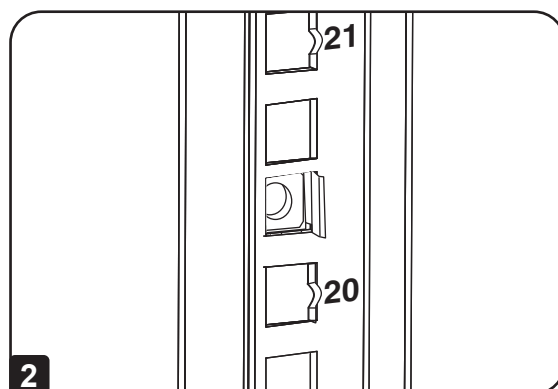
Установка закладных гаек

- 1 Найдите нумерованные квадратные отверстия в монтажных направляющих, которые планируется использовать для установки оборудования. Вставьте закладные гайки (из комплекта) в квадратные отверстия с целью обеспечения точки крепления для монтажных винтов (поставляемых в комплекте).

Примечание. Для определения необходимого количества закладных гаек и мест их установки ознакомьтесь с сопроводительной документацией к оборудованию.

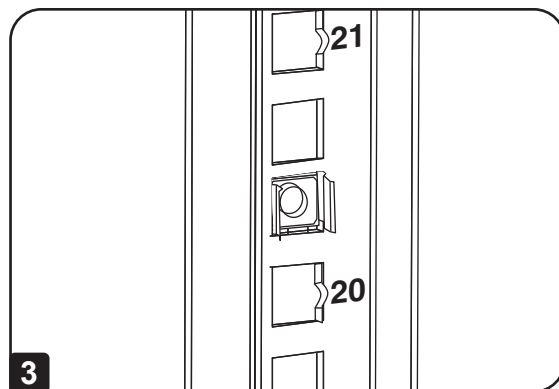


- 2 Проденьте один из отгибов кромки закладной гайки через квадратное отверстие с внутренней стороны монтажной направляющей. Вдавите ее по направлению к боковому краю квадратного отверстия. Отгибы кромок закладных гаек должны зацепляться за боковые, а не верхний и нижний края квадратного отверстия.



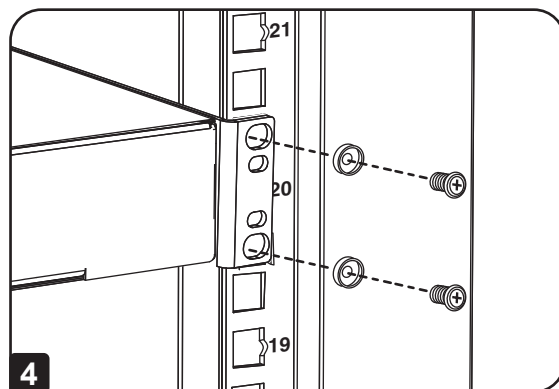
Установка оборудования

3 Слегка надавите на закладную гайку по бокам, что позволит другому отгибу кромки пройти через квадратное отверстие. При правильной установке закладной гайки оба отгиба ее кромок выдаются с обратной стороны квадратного отверстия и видны на внешней поверхности монтажной направляющей. Повторяйте шаги 1-3 до тех пор, пока не будут установлены все необходимые закладные гайки.



4 После установки необходимых закладных гаек прикрепите свое оборудование к стоечной направляющей с помощью монтажных винтов и чашеобразных шайб из комплекта. Поместите чашеобразные шайбы между винтами и монтажными кронштейнами для крепления оборудования.

Примечание. В комплект поставки оборудования могут также входить монтажные приспособления. Перед установкой своего оборудования ознакомьтесь с указаниями по монтажу, поставляемыми в комплекте с ним.



Для извлечения закладных гаек повторите шаги 1-3 в обратном порядке

Примечание. При желании установку и извлечение закладных гаек можно производить с помощью специального инструмента (в комплект поставки не входит).

Технические характеристики

Модель	Допустимая нагрузка*		Габаритные размеры				Транспортные габариты			
	Стационарная	Роликовая	Высота	Ширина	Глубина	Масса	Высота	Ширина	Глубина	Вес
SR25UBAC	1363 кг	1022 кг	1243 мм	600 мм	1092 мм	88,5 кг	1359 мм	610 мм	1092 мм	107,5 кг
SR33UBAC	1363 кг	1022 кг	1600 мм	600 мм	1092 мм	118 кг	1715 мм	610 мм	1092 мм	137 кг

Хранение и техническое обслуживание

Хранение

Корпус должен храниться в помещении с контролируемым микроклиматом вдали от источников влаги, экстремальных температур, воспламеняющихся жидкостей и газов, электропроводных загрязнителей, пыли и прямого солнечного света. По возможности храните шкаф в его заводской транспортной упаковке.

Техническое обслуживание

На приобретенное вами изделие марки Tripp Lite распространяется действие гарантии, условия которой изложены в настоящем руководстве. Кроме того, компания Tripp Lite предлагает ряд Программ расширенной гарантии и обслуживания на объекте. Более подробная информация о техническом обслуживании изложена на странице tripplite.com/support. Перед возвратом изделия в целях технического обслуживания выполните следующие действия:

1. Внимательно изучите порядок монтажа и эксплуатации устройства, приведенный в настоящем руководстве, во избежание проблем, которые могут возникнуть в ходе работы из-за неправильного понимания приведенных в руководстве указаний.
2. Если проблему решить не удалось, не обращайтесь к продавцу и не возвращайте изделие ему. В этом случае посетите интернет-страницу по адресу tripplite.com/support.
3. Если возникшая проблема требует проведения ремонта или технического обслуживания, зайдите на страницу tripplite.com/support и нажмите на ссылку Product Returns (Возврат изделий). Здесь вы можете запросить номер Returned Material Authorization (RMA — разрешение на возврат материалов), который необходим для проведения технического обслуживания. Для заполнения этой простой онлайн-формы потребуется указать номер модели и серийный номер вашего изделия, а также общие сведения о покупателе. Номер RMA вместе с указаниями по транспортировке будет направлен вам по электронной почте. На какие бы то ни было убытки (прямые, косвенные, последующие или вызванные особыми обстоятельствами), связанные с транспортировкой изделия в адрес компании Tripp Lite или ее уполномоченного сервисного центра, действие гарантии не распространяется. Стоимость транспортировки изделий в адрес компании Tripp Lite или ее уполномоченного сервисного центра должна быть оплачена авансом. Номер RMA должен быть указан на внешней стороне упаковки. Если возврат изделия производится в период действия гарантии, то необходимо приложить копию товарного чека продавца. Возврат изделия для проведения ремонта или технического обслуживания должен производиться застрахованным перевозчиком по адресу, указанному в ответе на запрос номера RMA.

Гарантийные обязательства

Условия 5-летней ограниченной гарантии

Продавец гарантирует отсутствие изначальных дефектов материала или изготовления в течение 5 лет с момента первоначальной покупки данного изделия при условии его использования в соответствии со всеми применимыми к нему указаниями. В случае проявления каких-либо дефектов материала или изготовления в течение указанного периода Продавец осуществляет ремонт или замену данного изделия исключительно по своему усмотрению.


ДЕЙСТВИЕ НАСТОЯЩЕЙ ГАРАНТИИ НЕ РАСПРОСТРАНЯЕТСЯ НА СЛУЧАИ ЕСТЕСТВЕННОГО ИЗНОСА ИЛИ ПОВРЕЖДЕНИЯ В РЕЗУЛЬТАТЕ АВАРИИ, НЕНАДЛЕЖАЩЕГО ИСПОЛЬЗОВАНИЯ, НАРУШЕНИЯ ПРАВИЛ ЭКСПЛУАТАЦИИ ИЛИ ХАЛАТНОСТИ. ПРОДАВЕЦ НЕ ПРЕДОСТАВЛЯЕТ НИКАКИХ ЯВНО ВЫРАЖЕННЫХ ГАРАНТИЙ ЗА ИСКЛЮЧЕНИЕМ ПРЯМО ИЗЛОЖЕННОЙ В НАСТОЯЩЕМ ДОКУМЕНТЕ. ЗА ИСКЛЮЧЕНИЕМ СЛУЧАЕВ, ЗАПРЕЩЕННЫХ ДЕЙСТВУЮЩИМ ЗАКОНОДАТЕЛЬСТВОМ, ВСЕ ПОДРАЗУМЕВАЕМЫЕ ГАРАНТИИ, ВКЛЮЧАЯ ВСЕ ГАРАНТИИ ПРИГОДНОСТИ ДЛЯ ПРОДАЖИ ИЛИ ИСПОЛЬЗОВАНИЯ ПО НАЗНАЧЕНИЮ, ОГРАНИЧЕНЫ ПО ПРОДОЛЖИТЕЛЬНОСТИ ДЕЙСТВИЯ ВЫШЕУКАЗАННЫМ ГАРАНТИЙНЫМ СРОКОМ; КРОМЕ ТОГО, ИЗ НАСТОЯЩЕЙ ГАРАНТИИ ЯВНЫМ ОБРАЗОМ ИСКЛЮЧАЮТСЯ ВСЕ ПОБОЧНЫЕ, СЛУЧАЙНЫЕ И КОСВЕННЫЕ УБЫТКИ.

(В некоторых штатах не допускается введение ограничений на продолжительность действия тех или иных подразумеваемых гарантий, а в некоторых — исключение или ограничение размера побочных или косвенных убытков. В этих случаях вышеизложенные ограничения или исключения могут на вас не распространяться. Настоящая гарантия предоставляет вам конкретные юридические права, а набор других ваших прав может быть различным в зависимости от юрисдикции).

ВНИМАНИЕ! До начала использования данного устройства пользователь должен убедиться в том, что оно является пригодным, соответствующим или безопасным для предполагаемого применения. В связи с большим разнообразием конкретных применений производитель не дает каких-либо заверений или гарантий относительно пригодности данных изделий для какого-либо конкретного применения или их соответствия каким-либо конкретным требованиям.

Компания Tripp Lite постоянно совершенствует свою продукцию. В связи с этим возможно изменение технических характеристик изделия без предварительного уведомления. Внешний вид реальных изделий может несколько отличаться от представленного на фотографиях и иллюстрациях.

Примечание относительно маркировки

На данное изделие нанесен следующий символ:  Заземление

