

Industrial USB Hub

Models:
U223-004-IND
U223-007-IND

| | |
|----------------------------------|----------|
| Safety Instructions | 2 |
| Features | 3 |
| System Requirements | 3 |
| Package Contents | 3 |
| Powering the Hub | 4 |
| Mounting Kit Installation | 5 |
| Specifications | 7 |
| Warranty | 8 |
| Regulatory Compliance | 9 |

Este manual está disponible en español en la página de Eaton:
Tripplite.Eaton.com/support

Ce manuel est disponible en français sur le site Web de Eaton :
Tripplite.Eaton.com/support

Dieses Handbuch ist in deutscher Sprache auf der Eaton-Website verfügbar:
Tripplite.Eaton.com/support

Questo manuale è disponibile in italiano sul sito web di Eaton:
Tripplite.Eaton.com/support



Powering Business Worldwide

Before attempting to connect, operate or adjust this product, please read the entire Owner's Manual first.

Safety Instructions

- Always read the safety instructions carefully
- Keep this Owner's Manual for future reference
- If any of the following situations arise, schedule an appointment to have your equipment inspected by a service technician:
 - The equipment has been exposed to moisture
 - The equipment has been dropped and damaged
 - The equipment shows obvious signs of breakage
 - The equipment is not functioning properly or is not functioning according to the Owner's Manual instructions

Features

- Increases the number of High Speed USB ports via a single computer port (4 ports for U223-004-IND model / 7 ports for U223-007-IND model)
- USB 2.0 compliant with data transfer rates up to 480Mbps
- Backwards compatible with USB 1.1
- Rugged all-metal enclosure designed for use in industrial applications
- Wall-mount and DIN rail hardware included for secure installation
- Three power connection options (source USB port, external power supply (not included) or 3-wire terminal block)
- Over-current detection and protection
- ESD protection to +/- 15 kV
- Automatic link and speed detection
- Plug-and-play; no software or drivers required

System Requirements

- Compatible with all USB-enabled operating systems

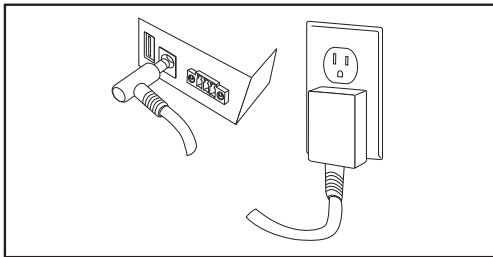
Package Contents

- U223-004-IND or U223-007-IND Industrial USB 2.0 Hub
- USB 2.0 cable
- 3-pin power terminal block
- DIN mounting hardware
- Wall-mount hardware
- Owner's Manual

Powering the Hub

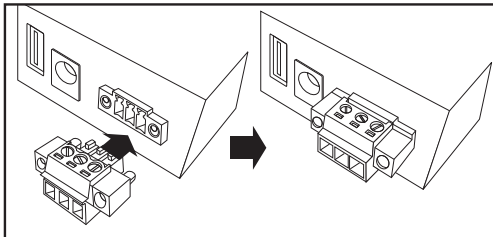
To power the hub, plug the user-supplied power adapter into the wall outlet.

Note: The U223-004-IND is compatible with external power supply units with a 5V 2.5A DC output. The U223-007-IND is compatible with external power supply units with a 5V 3A DC output. In order to connect an external power supply with the U223-004-IND or U223-007-IND's input port, the external power supply unit must have a 5.5 x 2.1 x 9.5 mm output plug with a positive tip and negative sleeve.



DC-In Power Terminal

To power the hub using a power terminal, plug the supplied power terminal block into the hub according to the connector's orientation.

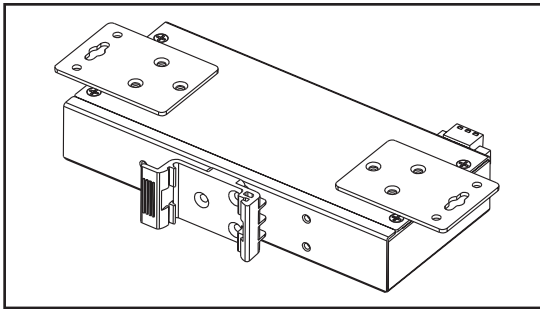


Mounting Kit Installation

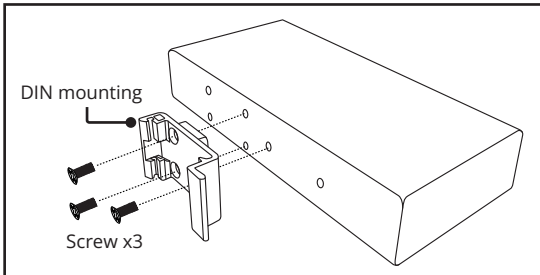
Mounting Hardware Installation

The U223-004-IND and U223-007-IND hubs can be placed on a flat surface, or mounted using the included wall-mount brackets or DIN rail hardware. Reference the diagrams below when installing the mounting hardware.

Wall-Mount Hardware Installation

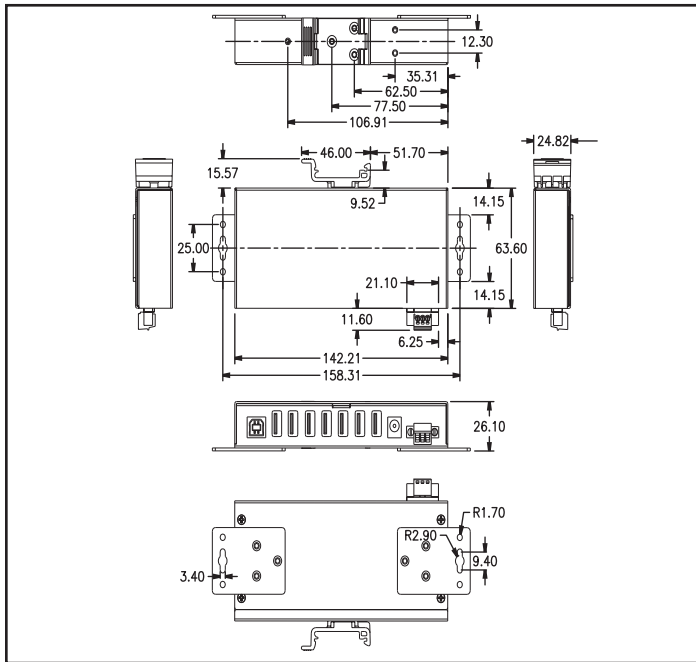


DIN Rail Hardware Installation



Mounting Kit Installation

Note: The U223-007-IND and U223-004-IND's dimensions are the same; the only difference between the two models is the number of USB ports.



Specifications

| Item | Description |
|------------------------------|--|
| Ports | 4 x USB 2.0 (U223-004-IND model) 7 x USB 2.0 (U223-007-IND model) |
| ESD Protection | 15KV ESD |
| Transmission Speed | 12M~480Mbps |
| Power Requirement | Bus-power or External Power Supply: (5V 2.5A DC for U223-004-IND), (5V 3A DC for U223-007-IND) 3-Pin Terminal: (9~36V DC) |
| Operating Temperature | 32°F to 140°F / 0°C to 60°C |
| Operating Humidity | 5 to 95% RH |
| Dimension (LxWxH) | 5.6 x 2.5 x 1 in. / 142 x 63.6 x 24.6 mm |
| Enclosure Material | Metal |
| Regulatory Approvals | FCC/CE |

Warranty

2-Year Limited Warranty

We warrant our products to be free from defects in materials and workmanship for a period of two (2) years from the date of initial purchase. Our obligation under this warranty is limited to repairing or replacing (at its sole option) any such defective products. Visit Tripplite.Eaton.com/support/product-returns before sending any equipment back for repair. This warranty does not apply to equipment which has been damaged by accident, negligence or misapplication or has been altered or modified in any way.

EXCEPT AS PROVIDED HEREIN, WE MAKE NO WARRANTIES, EXPRESS OR IMPLIED, INCLUDING WARRANTIES OF MERCHANTABILITY AND FITNESS FOR A PARTICULAR PURPOSE. Some states do not permit limitation or exclusion of implied warranties; therefore, the aforesaid limitation(s) or exclusion(s) may not apply to the purchaser.

EXCEPT AS PROVIDED ABOVE, IN NO EVENT WILL WE BE LIABLE FOR DIRECT, INDIRECT, SPECIAL, INCIDENTAL OR CONSEQUENTIAL DAMAGES ARISING OUT OF THE USE OF THIS PRODUCT, EVEN IF ADVISED OF THE POSSIBILITY OF SUCH DAMAGE. Specifically, we are not liable for any costs, such as lost profits or revenue, loss of equipment, loss of use of equipment, loss of software, loss of data, costs of substitutes, claims by third parties, or otherwise.

Regulatory Compliance

FCC Notice, Class B

This device complies with part 15 of the FCC Rules. Operation is subject to the following two conditions: (1) This device may not cause harmful interference, and (2) this device must accept any interference received, including interference that may cause undesired operation.

Note: This equipment has been tested and found to comply with the limits for a Class B digital device, pursuant to part 15 of the FCC Rules. These limits are designed to provide reasonable protection against harmful interference when the equipment is operated in a commercial environment. This equipment generates, uses, and can radiate radio frequency energy and, if not installed and used in accordance with the instruction manual, may cause harmful interference to radio communications. Operation of this equipment in a residential area is likely to cause harmful interference in which case the user will be required to correct the interference at his own expense. The user must use shielded cables and connectors with this equipment. Any changes or modifications to this equipment not expressly approved by Eaton could void the user's authority to operate this equipment.

Regulatory Compliance

WEEE Compliance Information for Customers and Recyclers (European Union)



Under the Waste Electrical and Electronic Equipment (WEEE) Directive and implementing regulations, when customers buy new electrical and electronic equipment from Eaton, they are entitled to:

- Send old equipment for recycling on a one-for-one, like-for-like basis (this varies depending on the country)
- Send the new equipment back for recycling when this ultimately becomes waste

Use of this equipment in life support applications where failure of this equipment can reasonably be expected to cause the failure of the life support equipment or to significantly affect its safety or effectiveness is not recommended

Eaton has a policy of continuous improvement. Specifications are subject to change without notice.



Powering Business Worldwide

Eaton
1000 Eaton Boulevard
Cleveland, OH 44122
United States
Eaton.com

© 2023 Eaton
All Rights Reserved
Publication No. 23-08-098 /
93-3218_RevD
August 2023

Eaton is a registered
trademark.

All trademarks are property
of their respective owners.