

Model: WWSS1332C



**CAUTION: DO NOT EXCEED MAXIMUM LISTED WEIGHT CAPACITY  
(17.6 lb. / 8 kg). SERIOUS INJURY OR PROPERTY DAMAGE MAY OCCUR!**

Este manual está disponible en español en la página de Eaton:  
[Tripplite.Eaton.com/support](http://Tripplite.Eaton.com/support)

Ce manuel est disponible en français sur le site Web de Eaton :  
[Tripplite.Eaton.com/support](http://Tripplite.Eaton.com/support)

Русскоязычная версия настоящего руководства представлена на  
веб-сайте компании Eaton по адресу: [Tripplite.Eaton.com/support](http://Tripplite.Eaton.com/support)

Dieses Handbuch ist in deutscher Sprache auf der Eaton-Website  
verfügbar: [Tripplite.Eaton.com support](http://Tripplite.Eaton.com/support)



**PRODUCT  
REGISTRATION**

Register your product today for a  
chance to win an ISOBAR® surge  
protector in our monthly drawing!

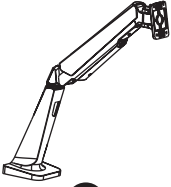
**[Tripplite.Eaton.com/warranty](http://Tripplite.Eaton.com/warranty)**



# Component Checklist



**IMPORTANT:** Ensure all parts according to the component checklist have been received prior to installation. If any parts are missing or faulty, visit [Triplite.Eaton.com/support](http://Triplite.Eaton.com/support) for service.



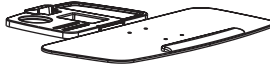
**A**

Bracket Arm  
**x1**



**B**

Support Mast  
**x1**



**C**

Keyboard Shelf  
**x1**



**D**

Clamp Top  
**x1**



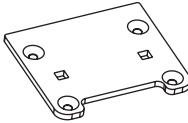
**E**

Clamp Bottom  
**x1**



**F**

Cable Clamp  
**x1**



**G**

Grommet  
Mount Plate  
**x1**



**H**

Pressure Plate  
**x2**



**I**

M8 x 105  
**x2**



**J**

M6 x 10  
**x4**



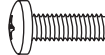
**K**

M6 x 12  
**x4**



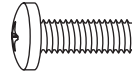
**L**

M8 x 25  
**x2**



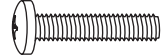
**M**

M4 x 12  
**x4**



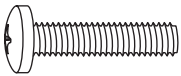
**N**

M5 x 12  
**x4**



**O**

M4 x 16  
**x4**



**P**

M5 x 16  
**x4**



**Q**

5 x 12 x 1  
**x4**



**R**

D8  
**x2**



**S**

8 x 5 Spacer  
**x4**



**T**

M8  
**x2**



**U**

4 mm Hex Key  
**x1**



**V**

6 mm Hex Key  
**x1**



**W**

Wrench  
**x1**

The WWSS1332C Single-Display Sit-Stand Workstation offers two different mounting methods: by desk clamp or by grommet mount. For easy and convenient installation and removal, use the desk clamp mounting option. For a permanent mounting solution, use the grommet mount mounting option.

**Desk Clamp Assembly** – Follow steps **1a-1** to **1a-4** below.

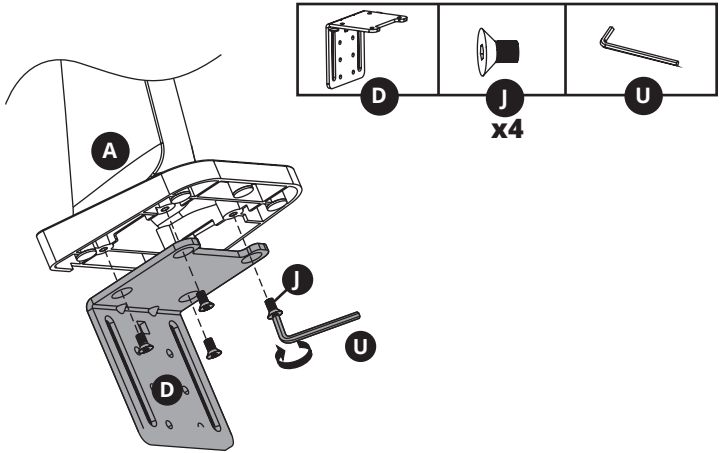
**Grommet Mount** – Go to page 5 and follow steps **1b-1** to **1b-2**.

Step **2** for both mounting options begins on page 6.

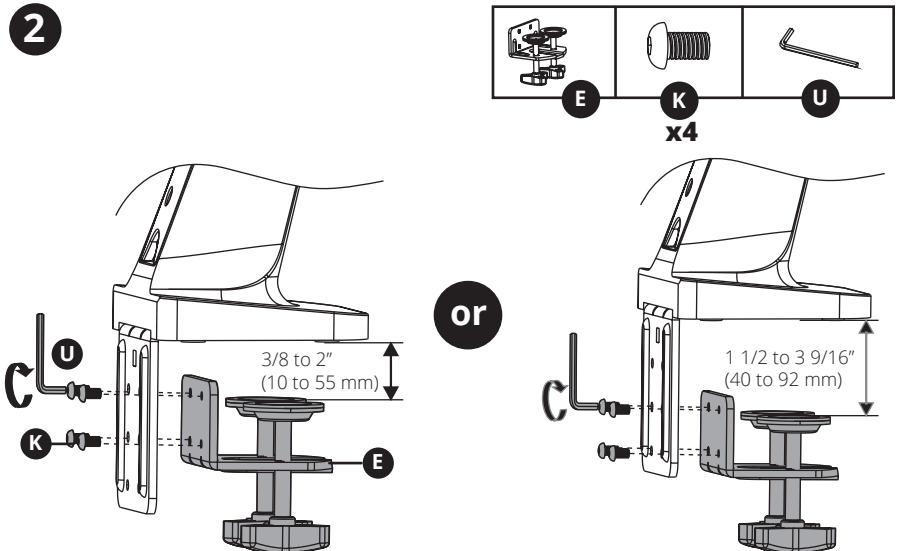
## Desk Clamp Assembly Option

*Note: For instructions on Grommet Mount Assembly, go to page 5.*

**1**

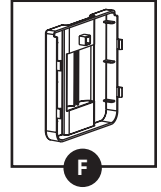
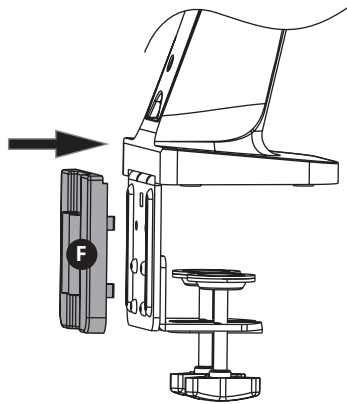


**2**

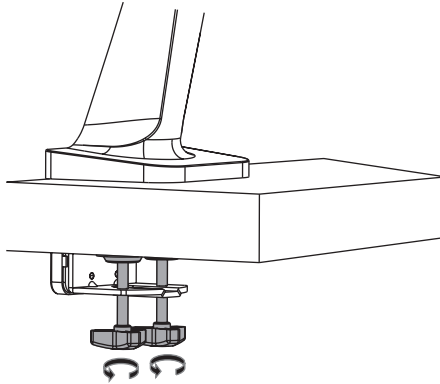


# Desk Clamp Assembly Option

1a-3



1a-4

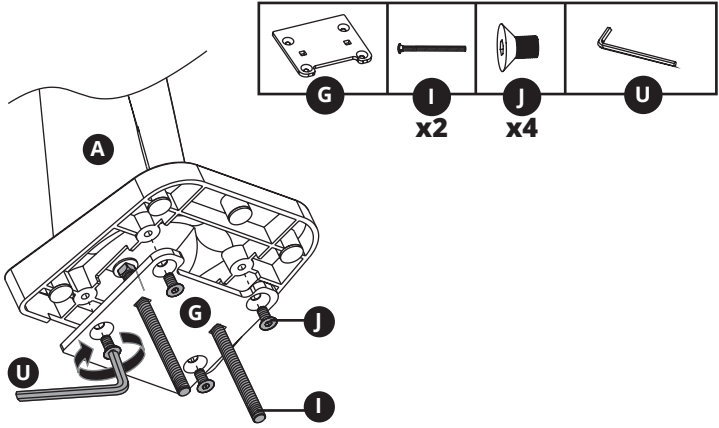


To proceed with step **2** of assembly, go to page 6.

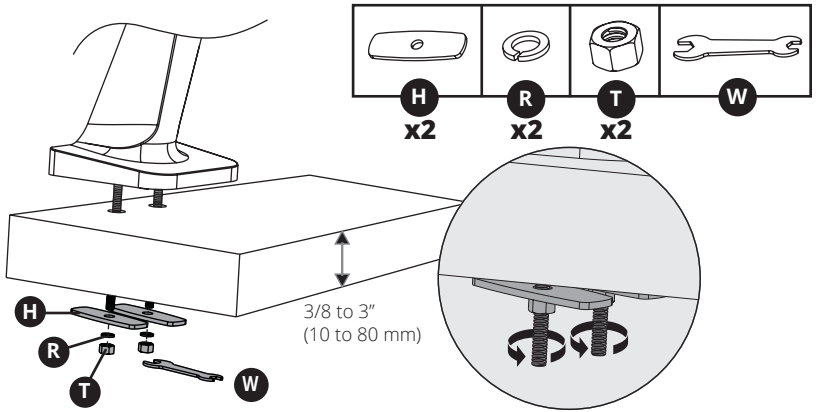
# Grommet Mount Assembly Option

**Note:** For instructions on Clamp Assembly, go to page 3.

1b-1



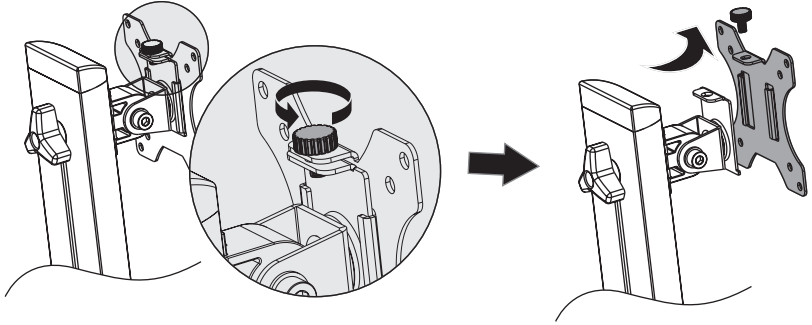
1b-2



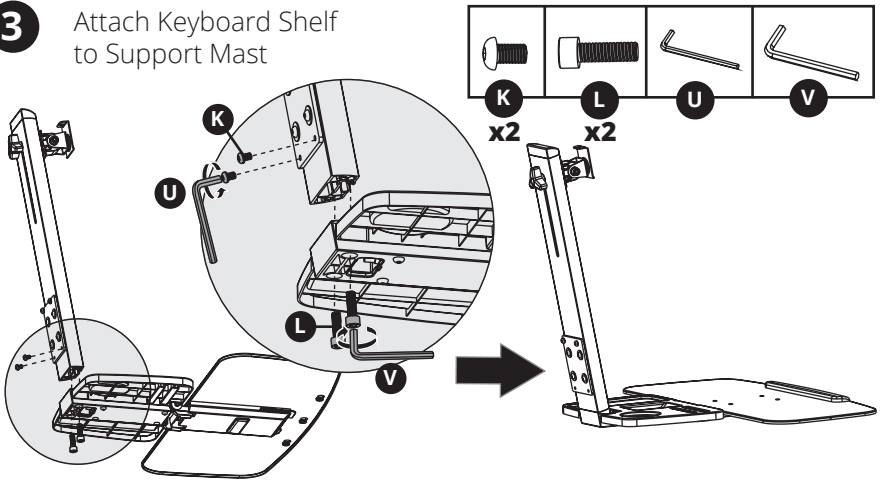
To proceed with step **2** of assembly, go to page 6.

# Desk Clamp/Grommet Mount Assembly

**2** Remove VESA Plate from Support Mast

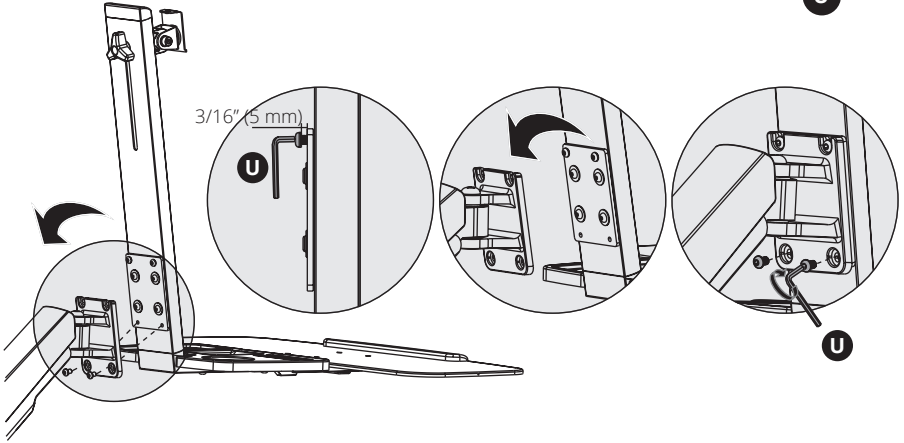
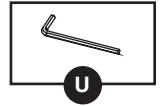


**3** Attach Keyboard Shelf to Support Mast

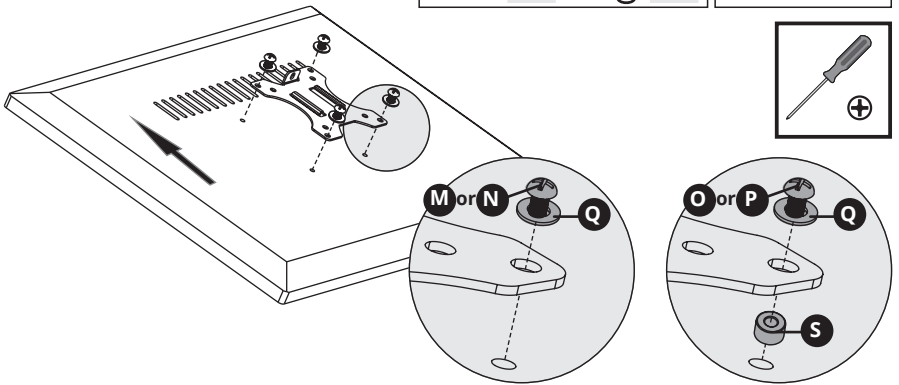
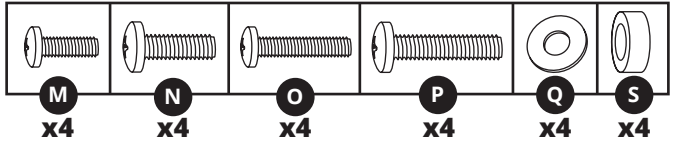


# Desk Clamp/Grommet Mount Assembly

**4** Attach Keyboard Shelf and Support Mast Assembly to Bracket Arm



**5** Attach VESA plate to back of display

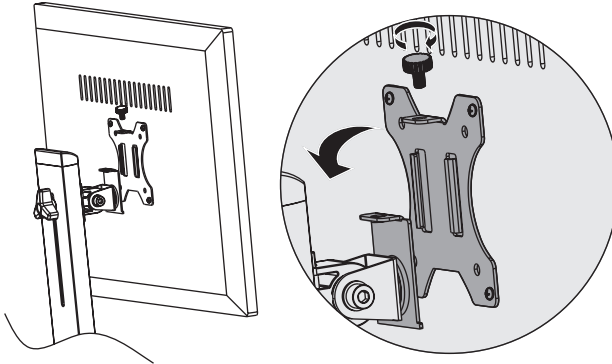


**Note:** Firmly secure the VESA plate to the display using the appropriate screws, washers and spacers (if necessary).

**!** Do not over-tighten screws.

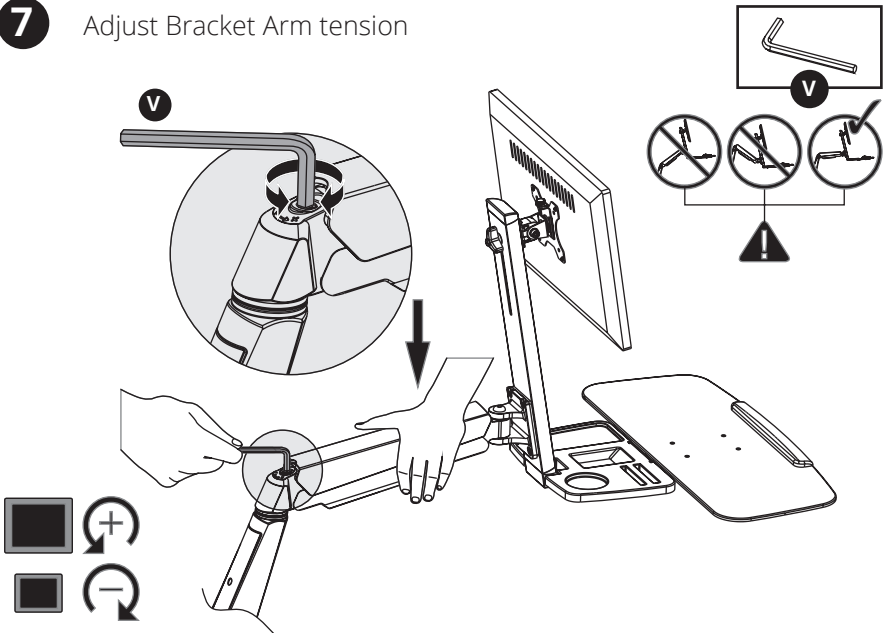
# Desk Clamp/Grommet Mount Assembly

- 6** Slide VESA plate and Display on to the Support Mast



Using an assistant or mechanical lifting equipment, lift the display with attached VESA plate. Slide the VESA plate over the Support Mast bracket. Reattach the top knob to secure the VESA mount (removed in step 1).

- 7** Adjust Bracket Arm tension



Keep the bracket arm level during tension adjustment. You may need to slightly loosen or tighten the adjustment screw using the provided 6 mm Hex Key, depending on the weight of display installed.

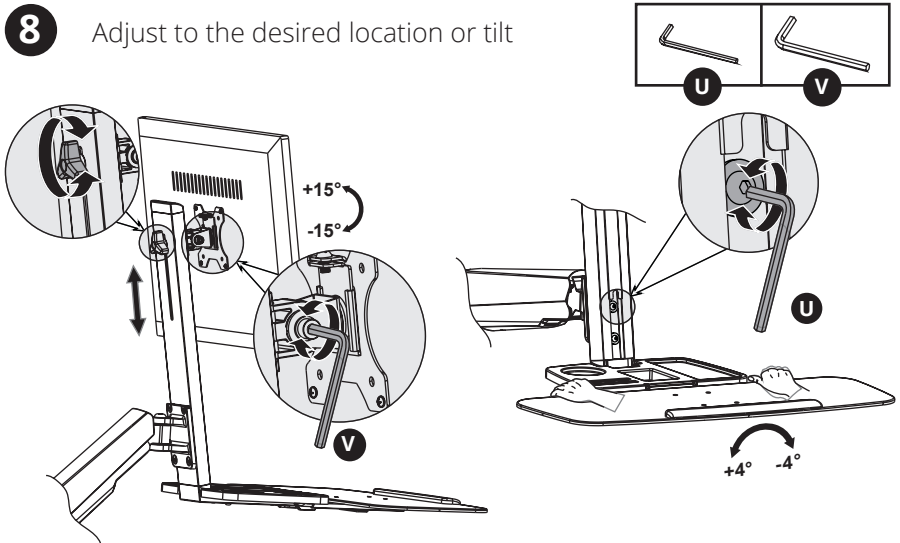
If display settles on its own, rotate adjustment screw towards the "+" symbol.

If display rises on its own, rotate adjustment screw towards the "-" symbol.



# Desk Clamp/Grommet Mount Assembly

**8** Adjust to the desired location or tilt



To correct the tilting angle, tighten the adjustment screws using the provided Hex Keys (or tighten the knob).

## Maintenance

- Check that the bracket is secure and safe to use at regular intervals (at least every three months).
- Please visit [TrippLite.Eaton.com/support](http://TrippLite.Eaton.com/support) if you have any questions.

# Warranty and Product Registration

## 5-Year Limited Warranty

We warrant our products to be free from defects in materials and workmanship for a period of five (5) years from the date of initial purchase. Our obligation under this warranty is limited to repairing or replacing (at its sole option) any such defective products. Visit [Tripplite.Eaton.com/support/product-returns](https://www.tripplite.com/support/product-returns) before sending any equipment back for repair. This warranty does not apply to equipment which has been damaged by accident, negligence or misapplication or has been altered or modified in any way.

EXCEPT AS PROVIDED HEREIN, WE MAKE NO WARRANTIES, EXPRESS OR IMPLIED, INCLUDING WARRANTIES OF MERCHANTABILITY AND FITNESS FOR A PARTICULAR PURPOSE. Some states do not permit limitation or exclusion of implied warranties; therefore, the aforesaid limitation(s) or exclusion(s) may not apply to the purchaser.

EXCEPT AS PROVIDED ABOVE, IN NO EVENT WILL EATON BE LIABLE FOR DIRECT, INDIRECT, SPECIAL, INCIDENTAL OR CONSEQUENTIAL DAMAGES ARISING OUT OF THE USE OF THIS PRODUCT, EVEN IF ADVISED OF THE POSSIBILITY OF SUCH DAMAGE. Specifically, we are not liable for any costs, such as lost profits or revenue, loss of equipment, loss of use of equipment, loss of software, loss of data, costs of substitutes, claims by third parties, or otherwise.

## PRODUCT REGISTRATION

Visit [Tripplite.Eaton.com/warranty](https://www.tripplite.com/warranty) today to register your new product. You'll be automatically entered into a drawing for a chance to win a FREE Eaton Tripp Lite series product!\*

\*No purchase necessary. Void where prohibited. Some restrictions apply. See website for details.

Eaton has a policy of continuous improvement. Specifications are subject to change without notice.



Eaton  
1000 Eaton Boulevard  
Cleveland, OH 44122  
United States  
[Eaton.com](https://www.eaton.com)

© 2023 Eaton  
All Rights Reserved  
Publication No. 23-06-145 / 93-3777\_RevB / GG  
November 2023

Eaton is a registered trademark.

All trademarks are property of their respective owners.